



US00D921288S

(12) **United States Design Patent** (10) **Patent No.:** **US D921,288 S**
Teele (45) **Date of Patent:** **** Jun. 1, 2021**

(54) **BOWL FOR HAIR COLORATION**
(71) Applicant: **Yvonne M. Teele**, Farmington, ME (US)
(72) Inventor: **Yvonne M. Teele**, Farmington, ME (US)
(**) Term: **15 Years**
(21) Appl. No.: **29/669,106**
(22) Filed: **Nov. 6, 2018**

Related U.S. Application Data

(63) Continuation-in-part of application No. 29/615,166, filed on Aug. 25, 2017, now abandoned.
(51) **LOC (13) Cl.** **28-03**
(52) **U.S. Cl.**
USPC **D28/20**
(58) **Field of Classification Search**
USPC D28/10, 11, 12, 13, 14, 15, 16, 17, 18, D28/19, 20, 39, 41, 42, 73, 76, 77, 78, D28/79, 81, 82, 83, 84, 91, 91.2, 92, 93; D9/420, 421, 423, 424, 425, 428, 435, D9/454, 503, 504, 519, 520, 549, 550, D9/551, 558
CPC A41G 3/00; A41G 3/0008; A41G 3/0033; A41G 3/0041; A41G 5/00; A41G 5/0006; A41G 5/004; A41G 5/0046; A41G 5/0053; A41G 5/006; A41G 5/0073; A41G 5/008; A41G 5/0093; A41D 20/00; A45D 8/00; A45D 8/34; A45D 8/36; A45D 2008/002; A45D 2008/004; A45D 19/06; A45D 19/08; A45D 19/12; A61H 2205/081; A46B 9/02; A46B 9/06; A46B 1/00; A46B 3/00; A46B 3/005; A46B 5/00; A46B 5/02; A46B 5/021; A47K 7/02; A47K 7/022

See application file for complete search history.

(56) **References Cited**
U.S. PATENT DOCUMENTS
748,026 A 12/1903 Sussmilch
1,391,028 A 9/1921 Werntz
1,595,356 A 8/1926 Moseman
D193,308 S * 7/1962 Jackson D7/501
D396,133 S * 7/1998 Stein D28/73
D400,402 S * 11/1998 Petkovich, Jr. D7/549
D422,843 S * 4/2000 Rashid D7/555
(Continued)

OTHER PUBLICATIONS

Teele Hair Products, announced Sep. 29, 2018 [online], retrieved Jul. 30, 2020, retrieved from internet, https://www.facebook.com/TeeleHairProducts/photos/a.1151563238351424/1151563185018096/?type=3&theater.*
(Continued)

Primary Examiner — Dana K Weiland
Assistant Examiner — Messina L Smith
(74) *Attorney, Agent, or Firm* — Leber IP Law; Celia H. Leber

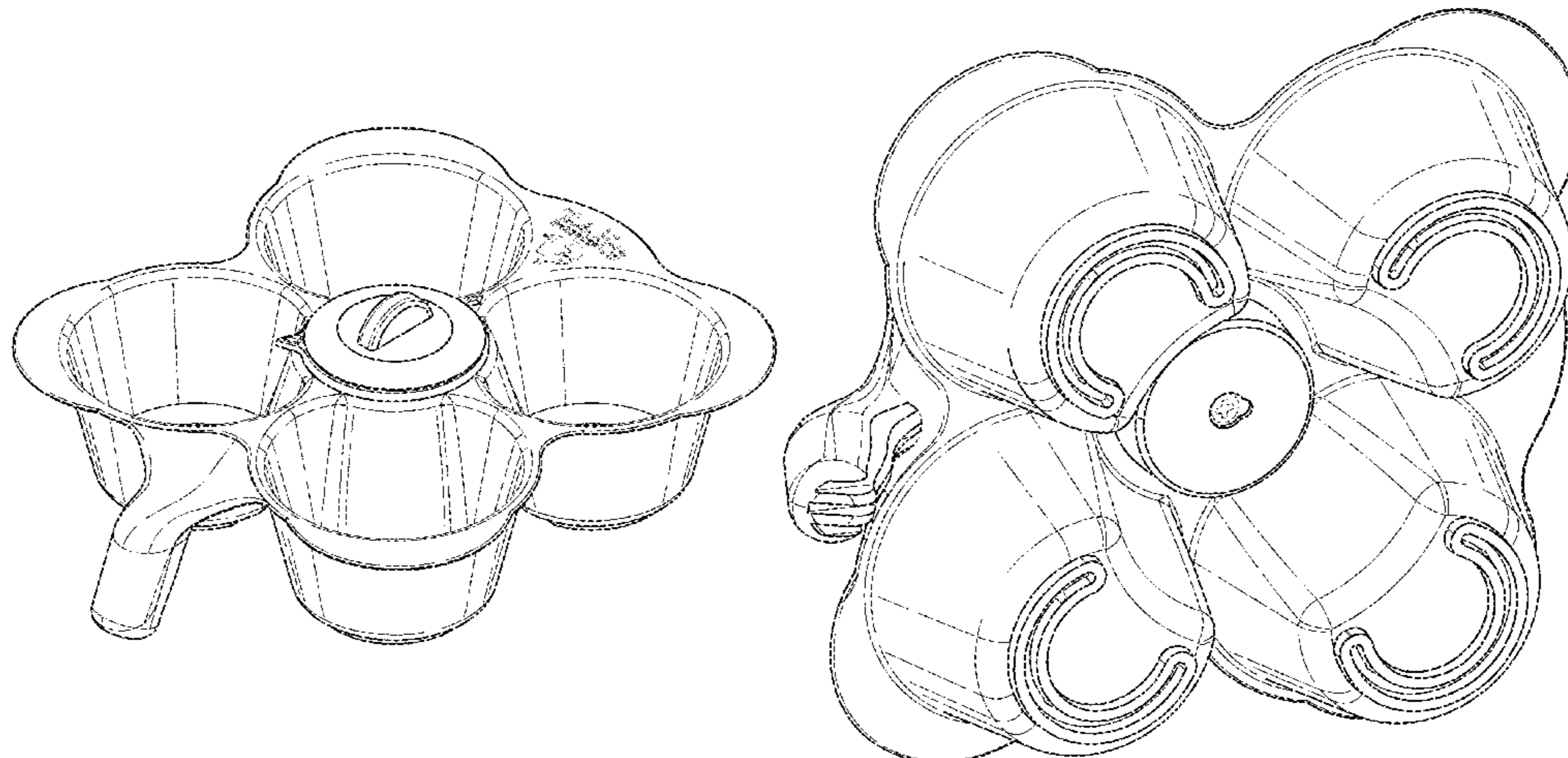
(57) **CLAIM**

What is claimed is the ornamental design for a bowl for hair coloration, as shown and described.

DESCRIPTION

FIG. 1 is a top perspective view of a bowl for hair coloration showing the new design;
FIG. 2 is a bottom perspective view thereof;
FIG. 3 is a front view thereof;
FIG. 4 is a side view thereof;
FIG. 5 is a back view thereof;
FIG. 6 is a top plan view thereof;
FIG. 7 is a bottom plan view thereof; and,
FIG. 8 is a cross-section view taken in the direction of line 8-8 in FIG. 6.

(Continued)



The broken lines in the drawings depict portions of the bowl for hair coloration that form no part of the claimed design.

1 Claim, 8 Drawing Sheets

(56)

References Cited

U.S. PATENT DOCUMENTS

D437,659	S	2/2001	Henry	
D438,100	S *	2/2001	Cekota	D9/755
D471,017	S *	3/2003	Cheung	D28/20
D471,668	S	3/2003	Cheung	
6,588,593	B2	7/2003	Woskoski	
D506,638	S *	6/2005	Claypool	D7/357
D536,131	S	1/2007	Kipry et al.	
7,441,675	B2	10/2008	McGinley et al.	
D592,813	S *	5/2009	Newsome	D30/129
D631,203	S *	1/2011	Hall	D28/73
7,905,038	B2	3/2011	Coff	
D670,041	S *	10/2012	Chance	D30/129
D676,714	S *	2/2013	Chen	D7/600
8,528,123	B2	9/2013	Hashem et al.	
D696,072	S	12/2013	Hsu	
D698,202	S *	1/2014	Maas	D7/555
8,985,367	B2	3/2015	Kim et al.	
D728,383	S *	5/2015	Sifuentes	D9/761
D742,217	S *	11/2015	Bouveret	D9/425
D744,186	S	11/2015	Gringer et al.	
D774,387	S *	12/2016	Joergensen	D9/425
D786,094	S *	5/2017	Kim	D9/758
D788,372	S	5/2017	Reed et al.	
D792,785	S *	7/2017	Fife	D9/761
D799,340	S *	10/2017	Shoshan	D9/737
D804,325	S *	12/2017	Thompson	D9/758

D804,964	S	12/2017	Bennett	
D806,576	S *	1/2018	Sellari	D9/761
D825,105	S	8/2018	Zur Wiesche et al.	
10,165,842	B1 *	1/2019	Teele	A45D 19/06
D840,759	S *	2/2019	Wrightson	D7/555
2001/0002268	A1	5/2001	Hanson et al.	
2003/0159306	A1	8/2003	Yeung	
2004/0129599	A1	7/2004	Yi-Hung	
2004/0149783	A1	8/2004	McGinley	
2007/0101629	A1	5/2007	Deniz	
2010/0200012	A1	8/2010	Sloan	
2011/0094070	A1	4/2011	Newton	
2013/0206641	A1	8/2013	Newton	
2014/0319148	A1	10/2014	Sabounjian	
2019/0069660	A1 *	3/2019	Teele	B65D 25/2888

OTHER PUBLICATIONS

Local hairdresser doubles as inventor, announced Dec. 4, 2018 [online], retrieved Jul. 30, 2020, retrieved from internet, <http://www.dailybulldog.com/db/features/local-hairdresser-doubles-as-inventor/>.*

Teele Hair Products QuadBowl, announced Dec. 8, 2018 [online], retrieved Jul. 30, 2020, retrieved from internet, <https://www.amazon.com/Teele-Hair-Products-Quad-Color/dp/B07637VBF5>.*

Injection Molding—Hair Coloring Quad Bowl, no announcement date [online], retrieved Jul. 30, 2020, retrieved from internet, <http://www.arcadiadesignworks.com/industrialdesign#/industrialdesignteelequadbowl/>.*

U.S. Appl. No. 16/181,770, Office Action dated Mar. 21, 2019, 10 pages.

Teele Hair Products, “The Teele Hair Products Quad Bowl is a workstation innovation”, retrieved online Oct. 23, 2018, <http://teelehairproducts.com>.

* cited by examiner

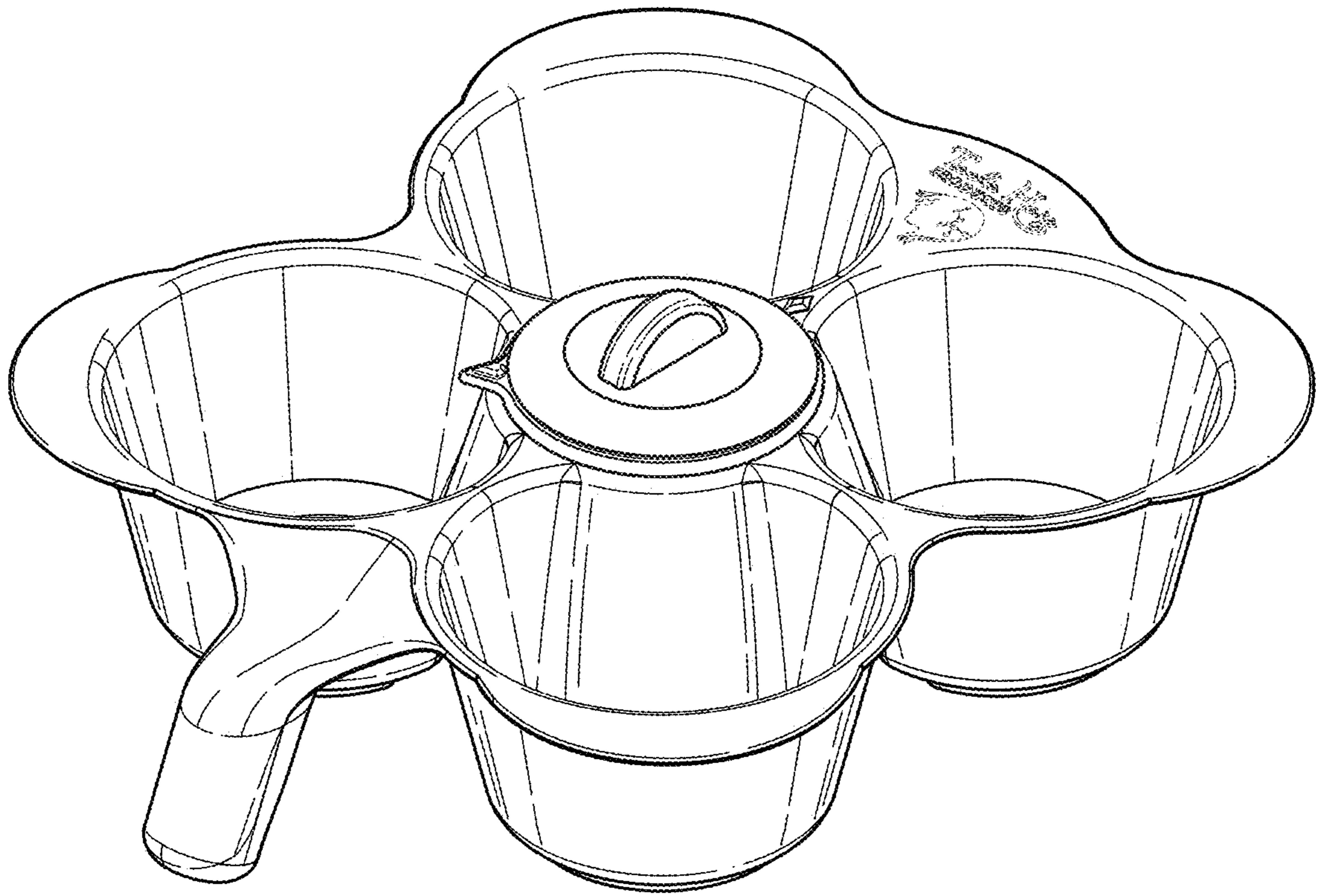


FIG. 1

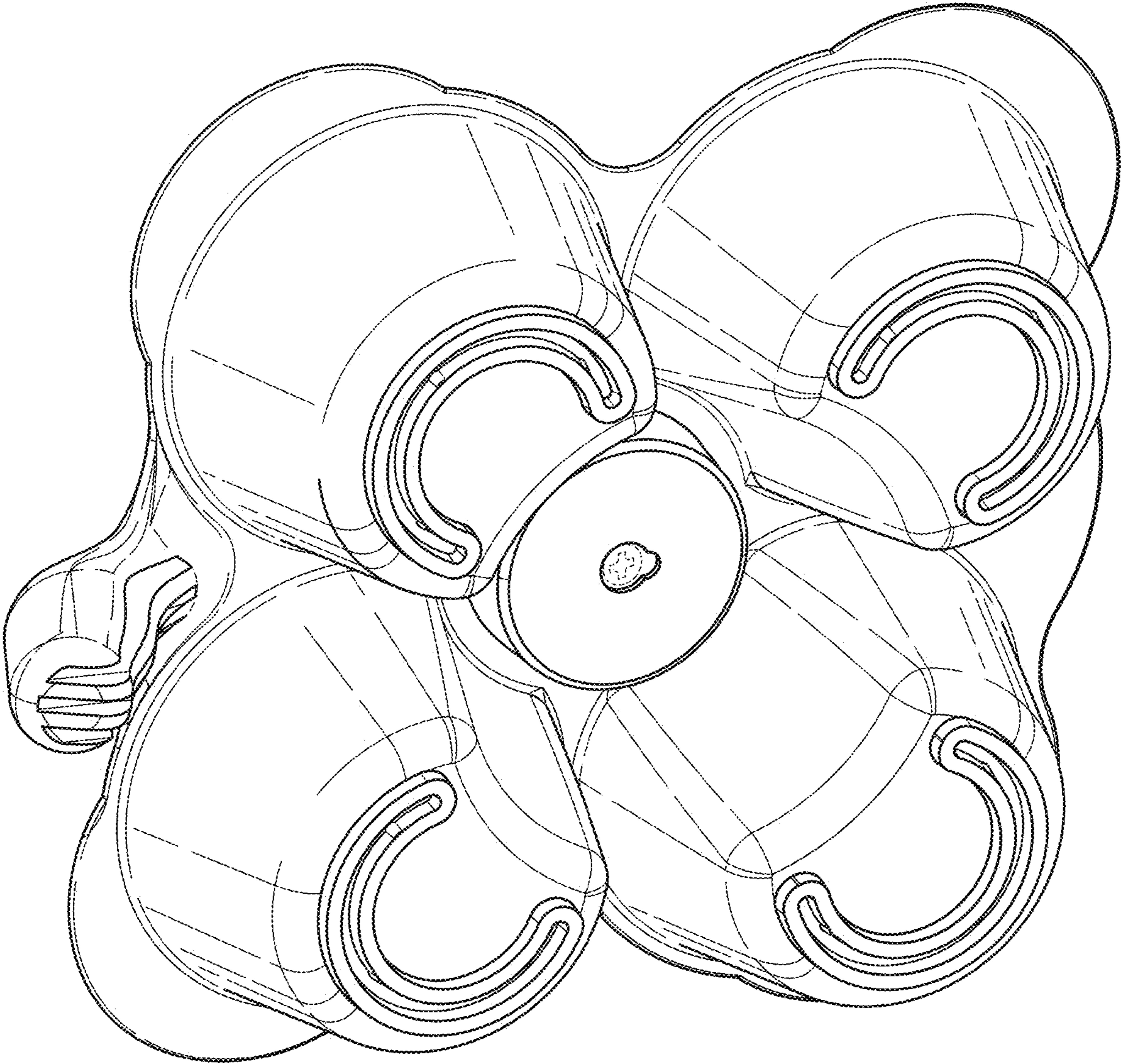


FIG. 2

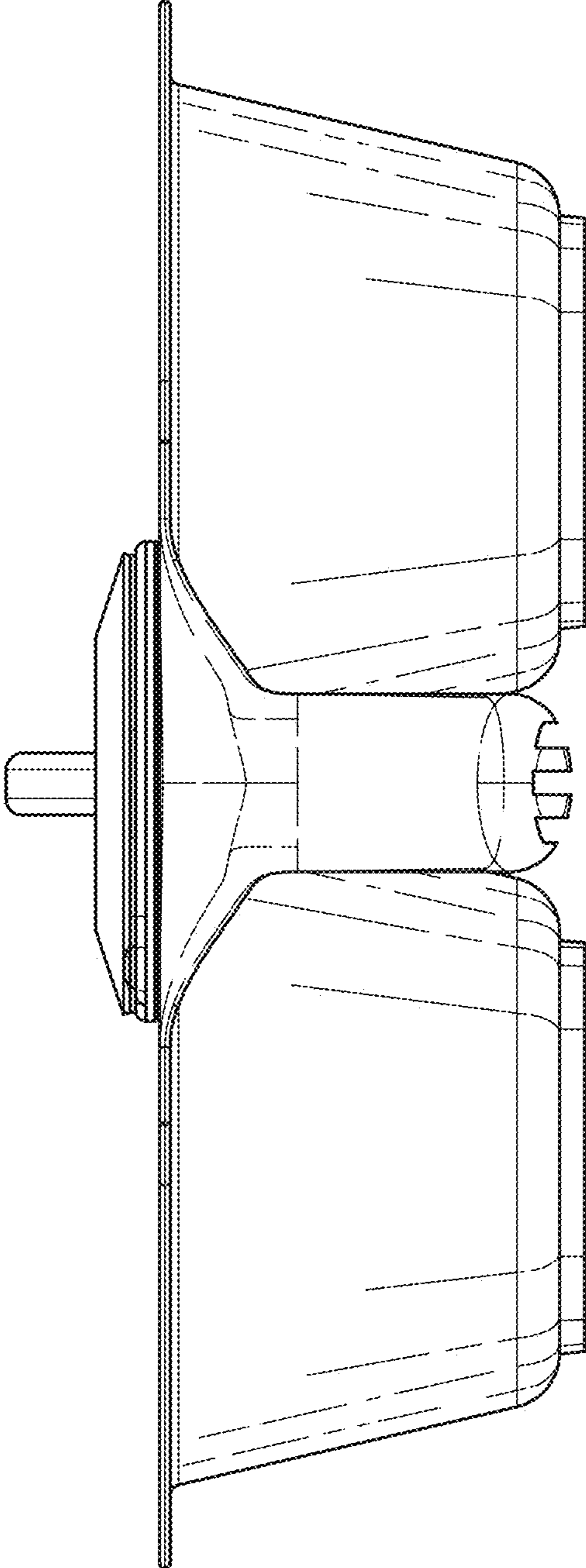


FIG. 3

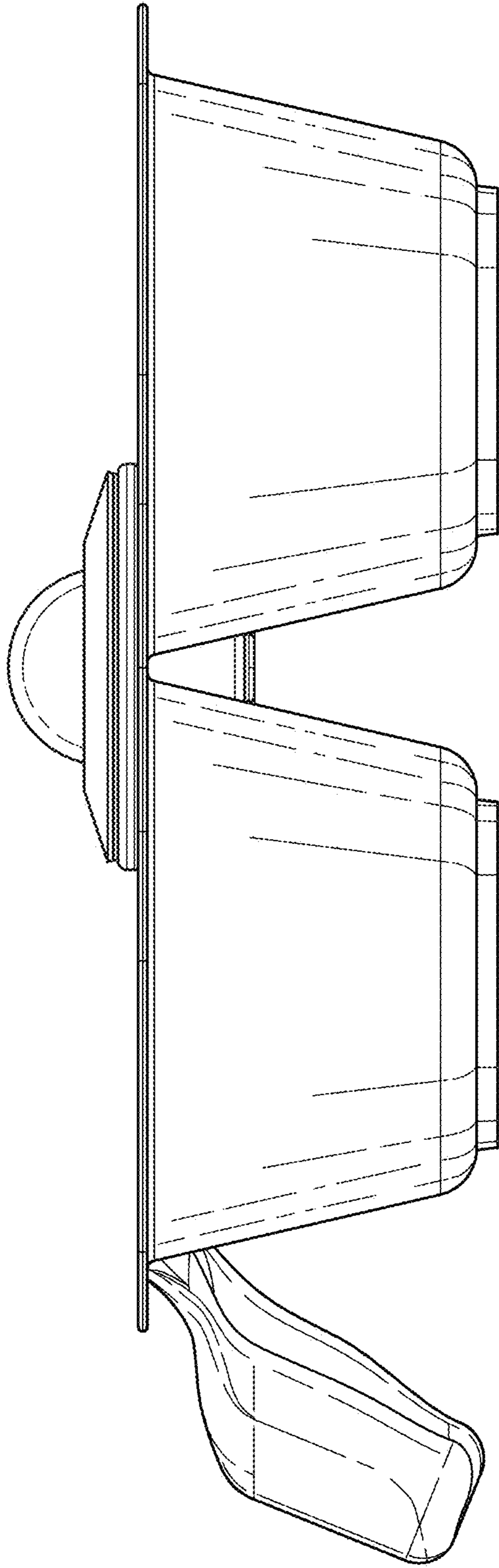


FIG. 4

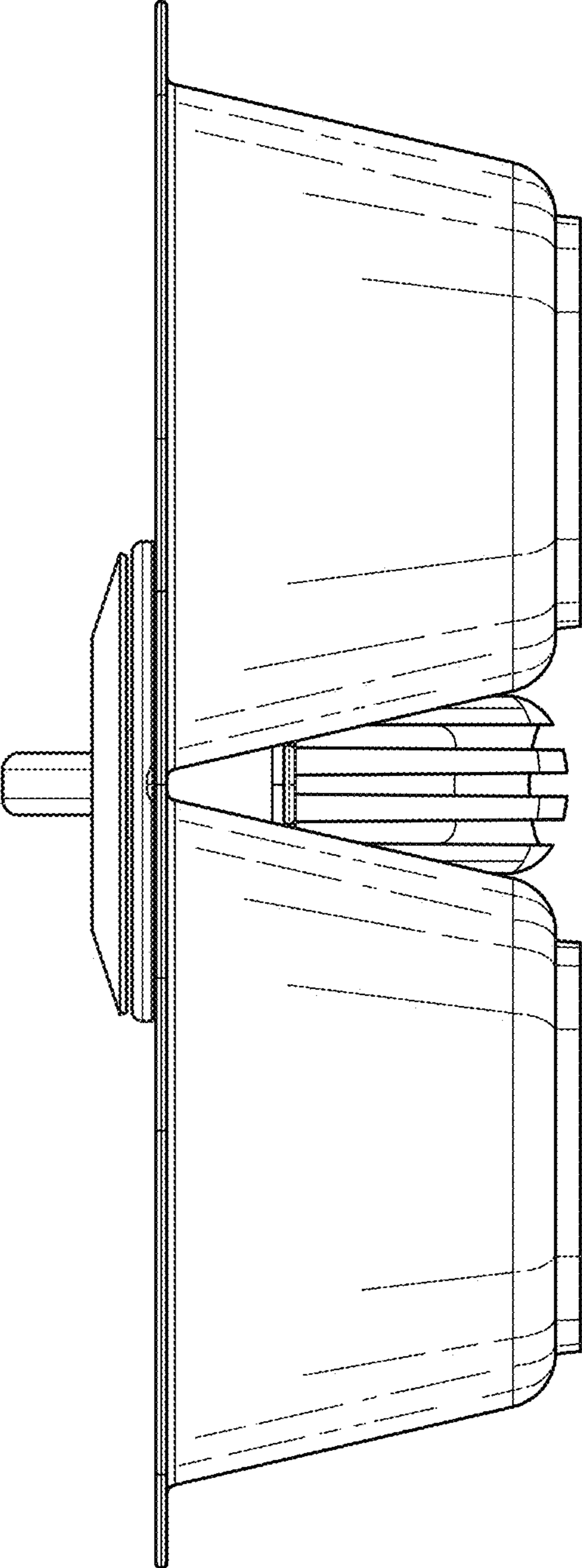


FIG. 5

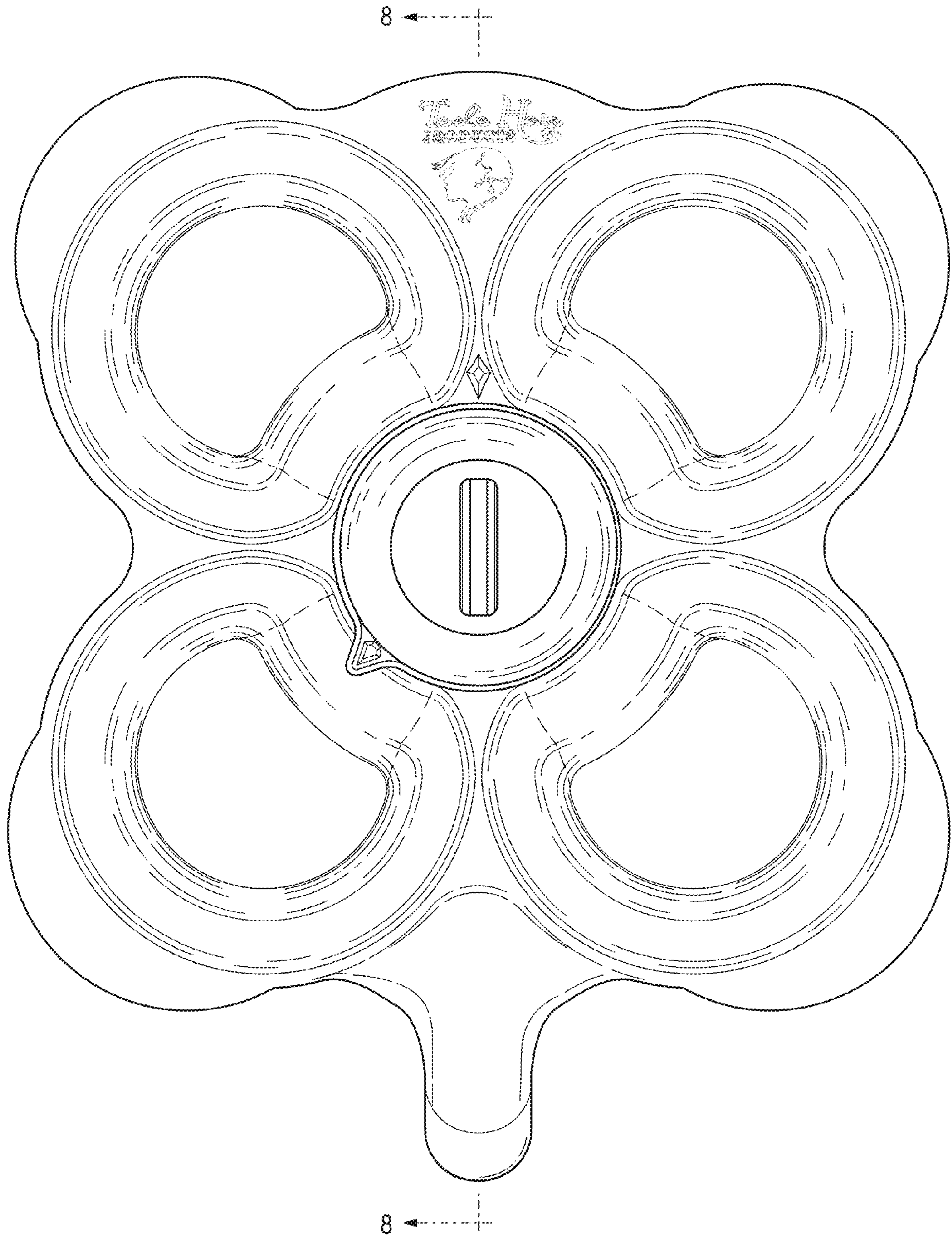


FIG. 6

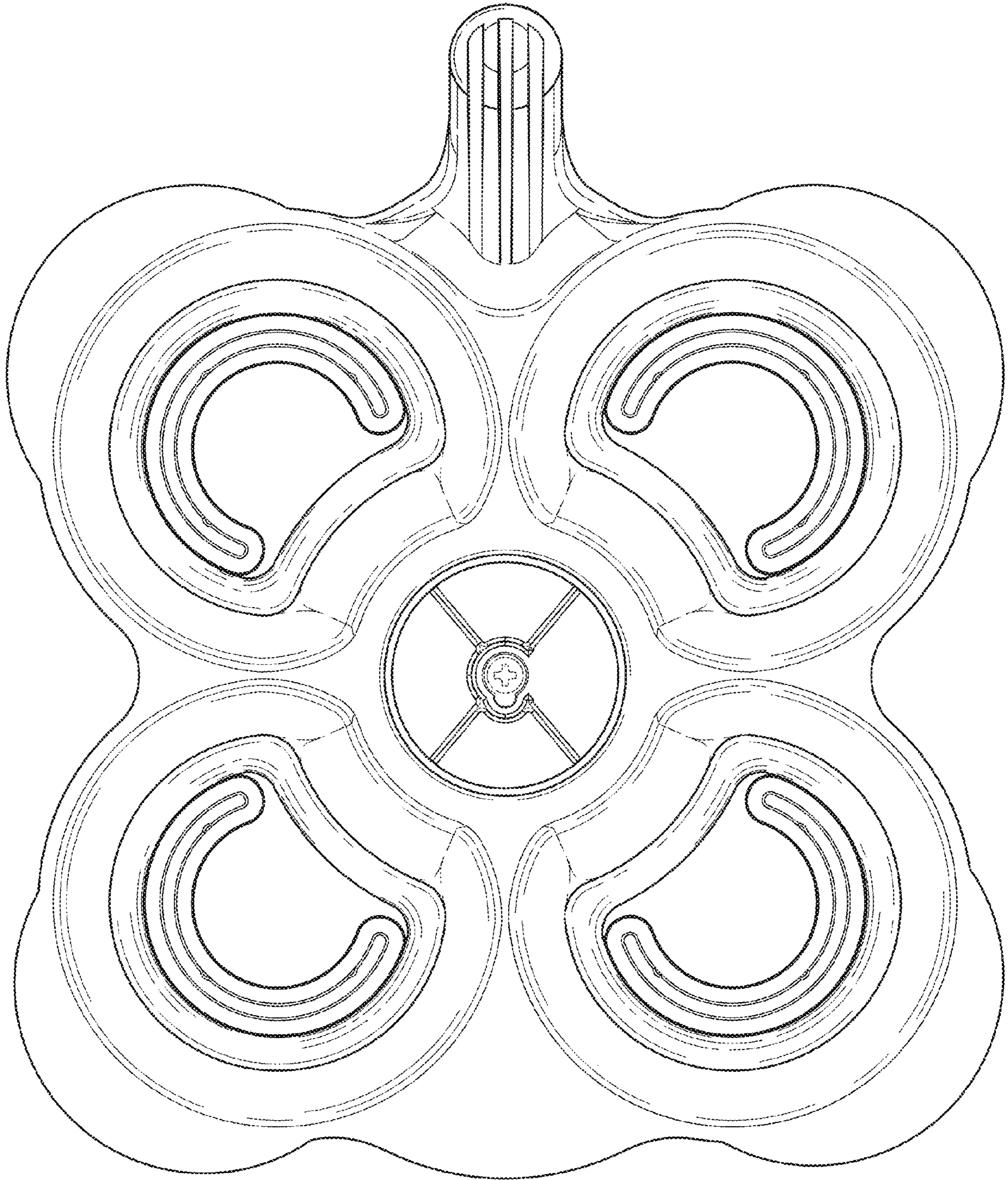


FIG. 7

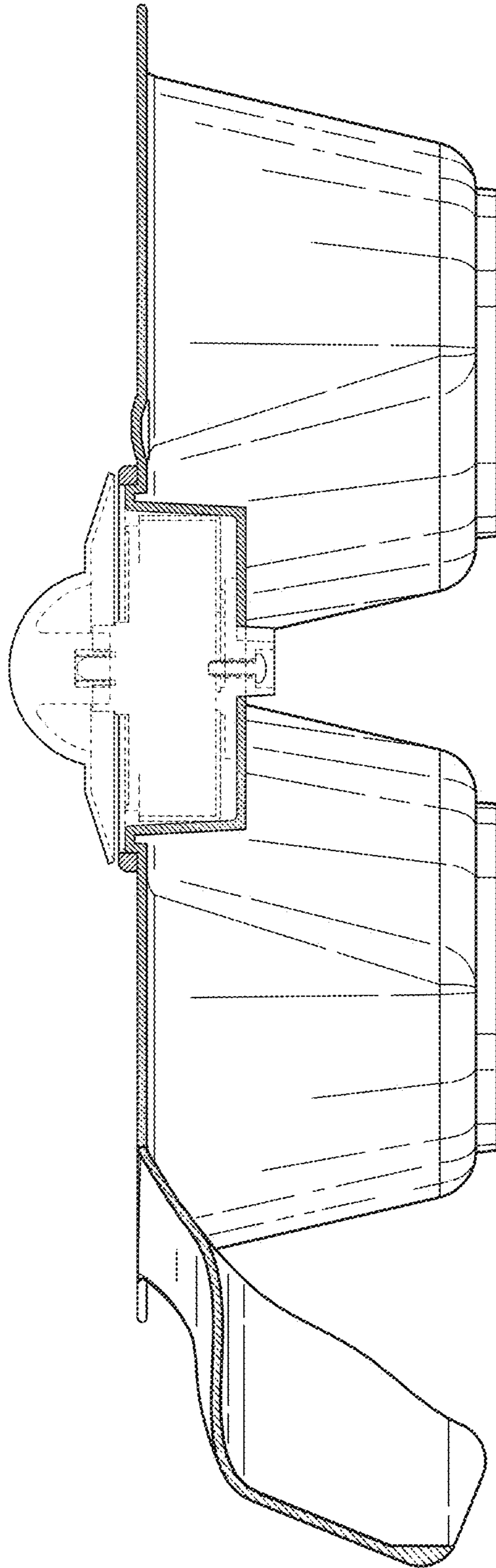


FIG. 8