

US00D921285S

(12) **United States Design Patent** (10) **Patent No.:** **US D921,285 S**
Liu (45) **Date of Patent:** **** Jun. 1, 2021**

(54) **ELECTRONIC CIGARETTE**
(71) Applicant: **Tuanfang Liu**, Shenzhen (CN)
(72) Inventor: **Tuanfang Liu**, Shenzhen (CN)
(**) Term: **15 Years**
(21) Appl. No.: **29/685,362**
(22) Filed: **Mar. 28, 2019**
(30) **Foreign Application Priority Data**
Oct. 22, 2018 (CN) 201830589762.9
(51) **LOC (13) Cl.** **27-02**
(52) **U.S. Cl.**
USPC **D27/167**; D27/169; D27/162
(58) **Field of Classification Search**
USPC D27/162, 100, 101, 139, 141, 148,
D27/161-171, 183, 185-193, 194;
D24/110, 110.5, 129, 113, 112; D13/108,
D13/144, 103, 119, 146, 168; D23/360,
D23/364-366, 202, 262, 209, 207;
D19/66, 73, 115, 123, 173, 177, 923,
D19/925-929, 934, 161-166, 194-196;
D14/434, 480.5, 480.1, 480.3, 483, 484.1,
D14/420, 426, 250, 137, 203.1, 203.3,
D14/203.7, 218, 254, 411, 433-435,
D14/435.1; D4/121; D9/500, 503, 504,
D9/516, 517, 522, 523, 530, 531, 560,
D9/444; D11/143, 156, 146, 54, 152,
D11/149, 144; D28/85, 4, 7, 88, 90,
D28/73-76, 77; D3/201, 11, 13, 17, 273,
D3/274, 300
CPC A24F 40/00; A24F 40/40; A24F 40/42;
A24F 40/05; A24F 40/46; A24F 47/002;
A24F 47/008; A24D 1/14; A24D 1/042;
A24D 1/02; G06F 3/03545
See application file for complete search history.

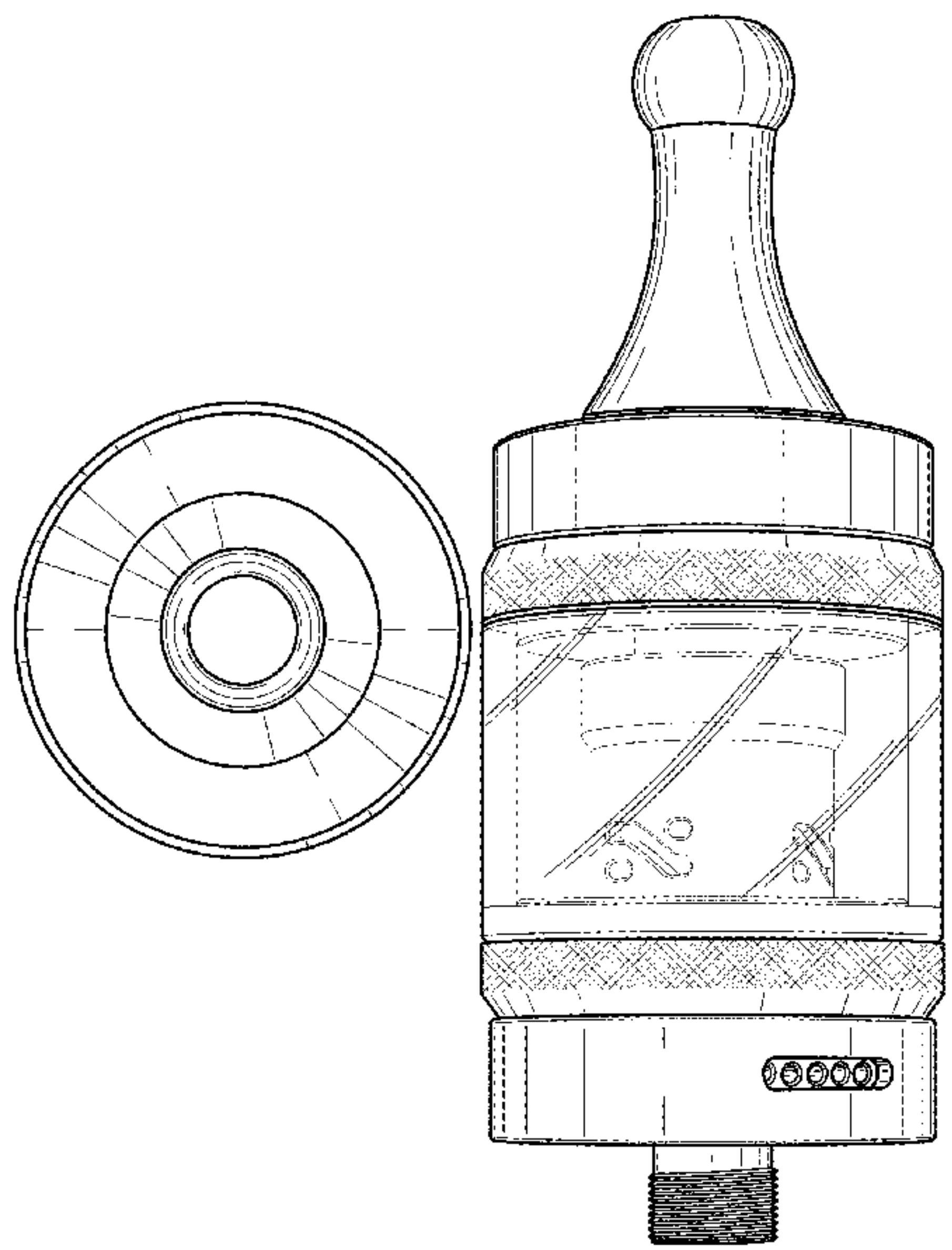
(56) **References Cited**
U.S. PATENT DOCUMENTS
D32,427 S * 4/1900 Fenn D9/500
D178,959 S * 10/1956 Hodgkins D27/164
D179,116 S * 11/1956 Bugg D27/164
D219,262 S * 11/1970 Lambelet D9/500
D729,440 S * 5/2015 Liu D27/101
D755,639 S * 5/2016 Kim D9/690
D771,219 S * 11/2016 Gilbarte D22/117
D771,307 S * 11/2016 Wu D27/101
D792,022 S * 7/2017 Li D27/167
D811,652 S * 2/2018 Liu D27/167
D836,243 S * 12/2018 Liu D27/167
D861,978 S * 10/2019 Lai D27/167
D881,456 S * 4/2020 Chen D27/162
(Continued)

FOREIGN PATENT DOCUMENTS
EM 006024030-0001 * 1/2019
EM 007538285-0001 * 1/2020
Primary Examiner — Dana K Weiland
Assistant Examiner — Mary Claire Ramirez
(74) *Attorney, Agent, or Firm* — Matthias Scholl P.C.;
Matthias Scholl

(57) **CLAIM**
The ornamental design for an electronic cigarette, as shown and described.

DESCRIPTION
FIG. 1 is a front elevation view of an electronic cigarette; FIG. 2 is a rear elevation view thereof; FIG. 3 is a left-side elevation view thereof; FIG. 4 is a right-side elevation view thereof; FIG. 5 is a top plan view thereof; FIG. 6 is a bottom plan view thereof; and, FIG. 7 is a perspective view thereof.
The broken lines in the drawings depict portions of the electronic cigarette that form no part of the claimed design.

1 Claim, 7 Drawing Sheets



(56)

References Cited

U.S. PATENT DOCUMENTS

D882,165 S * 4/2020 Ouyang D27/162
 D883,567 S * 5/2020 Liu D27/162
 D900,387 S * 10/2020 Liu D27/162
 2014/0360514 A1* 12/2014 Zhu A24F 47/008
 131/329
 2014/0376895 A1* 12/2014 Han A24F 47/008
 392/395
 2015/0136157 A1* 5/2015 Liu A61M 15/06
 131/329
 2015/0282529 A1* 10/2015 Li A24F 47/008
 131/273
 2016/0000145 A1* 1/2016 Liu A61M 15/06
 131/329
 2016/0007654 A1* 1/2016 Zhu A24F 47/008
 131/328
 2016/0135505 A1* 5/2016 Li A24F 47/008
 131/329
 2016/0165955 A1* 6/2016 Horne A24F 47/008
 131/328

2016/0206006 A1* 7/2016 Li H05B 3/0014
 2016/0262452 A1* 9/2016 Zhu F01K 5/00
 2017/0105453 A1* 4/2017 Li C22C 1/1084
 2017/0196266 A1* 7/2017 Chen A61M 11/041
 2018/0027874 A1* 2/2018 Zhu H05B 3/03
 2018/0035718 A1* 2/2018 Liu A24F 47/00
 2018/0077968 A1* 3/2018 Qiu H05B 3/03
 2018/0168236 A1* 6/2018 Qiu A61M 15/002
 2019/0098932 A1* 4/2019 Fan A24F 47/008
 2019/0116872 A1* 4/2019 Qiu A24D 3/043
 2019/0142069 A1* 5/2019 Qiu A24F 47/008
 131/329
 2019/0159524 A1* 5/2019 Qiu A24F 1/32
 2019/0191769 A1* 6/2019 Qiu H05B 3/44
 2019/0191772 A1* 6/2019 Qiu A24F 47/008
 2019/0320715 A1* 10/2019 Xiao A24F 47/008
 2019/0328044 A1* 10/2019 Qiu A24F 40/40
 2019/0357594 A1* 11/2019 Liu A24F 7/02
 2019/0380387 A1* 12/2019 Rose H05B 3/04
 2020/0178614 A1* 6/2020 Liu A24F 47/008
 2020/0187567 A1* 6/2020 Liu F16J 15/022

* cited by examiner

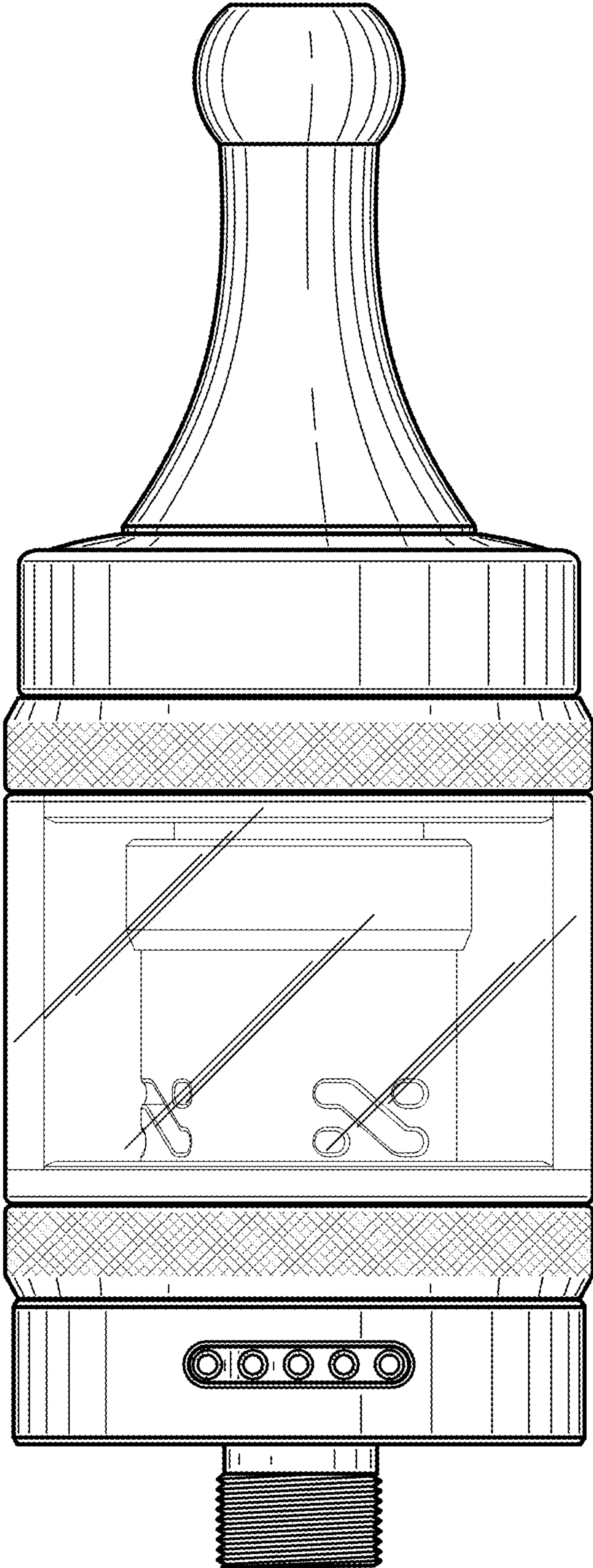


FIG. 1

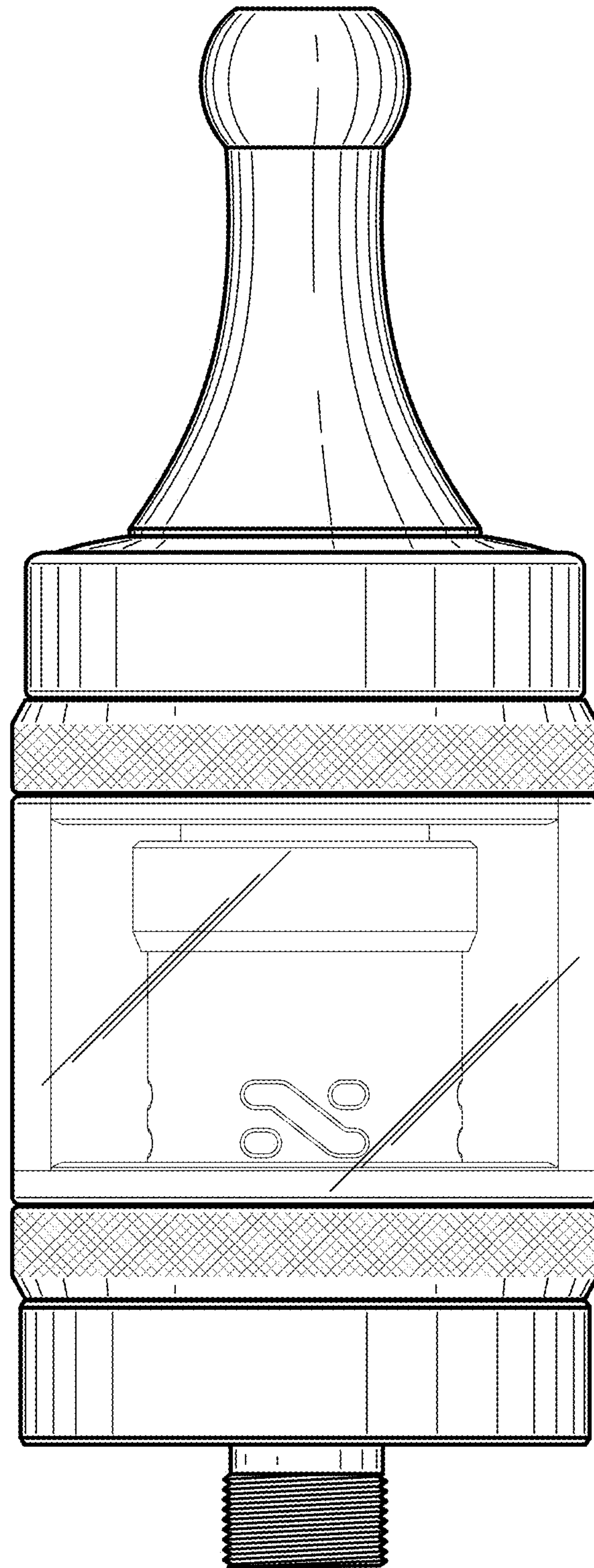


FIG. 2

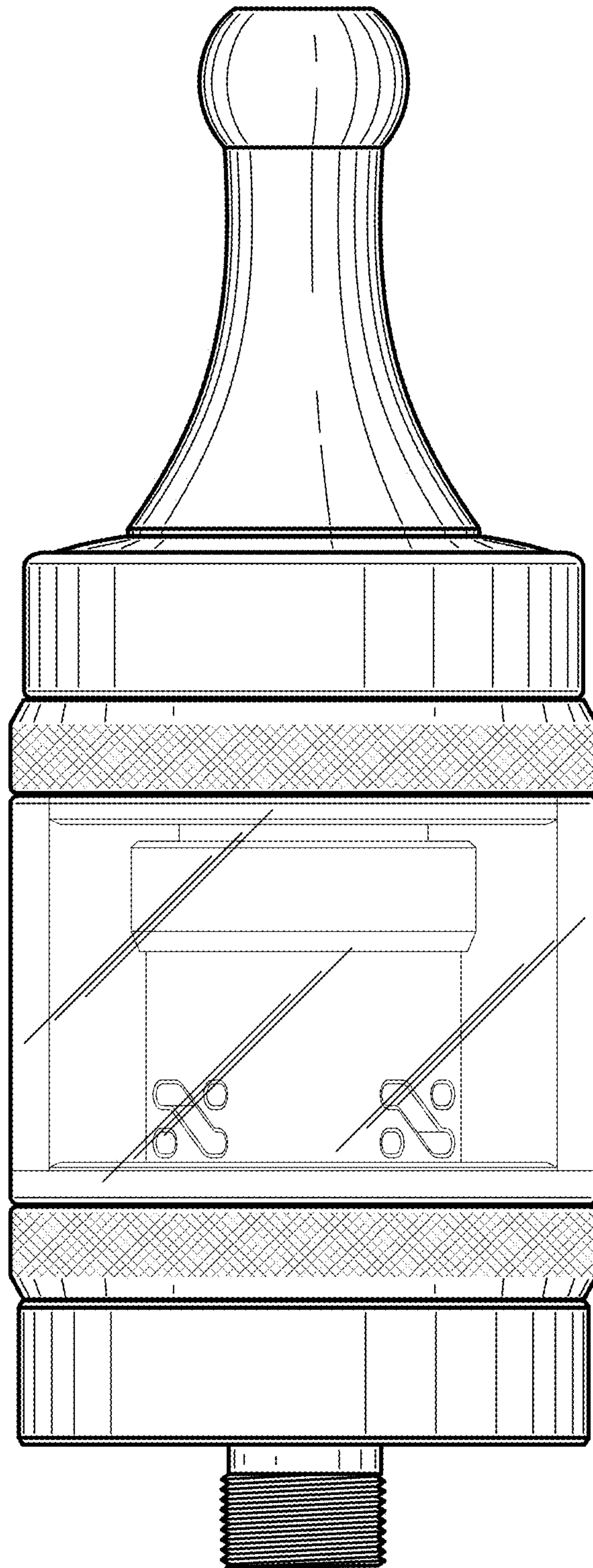


FIG. 3

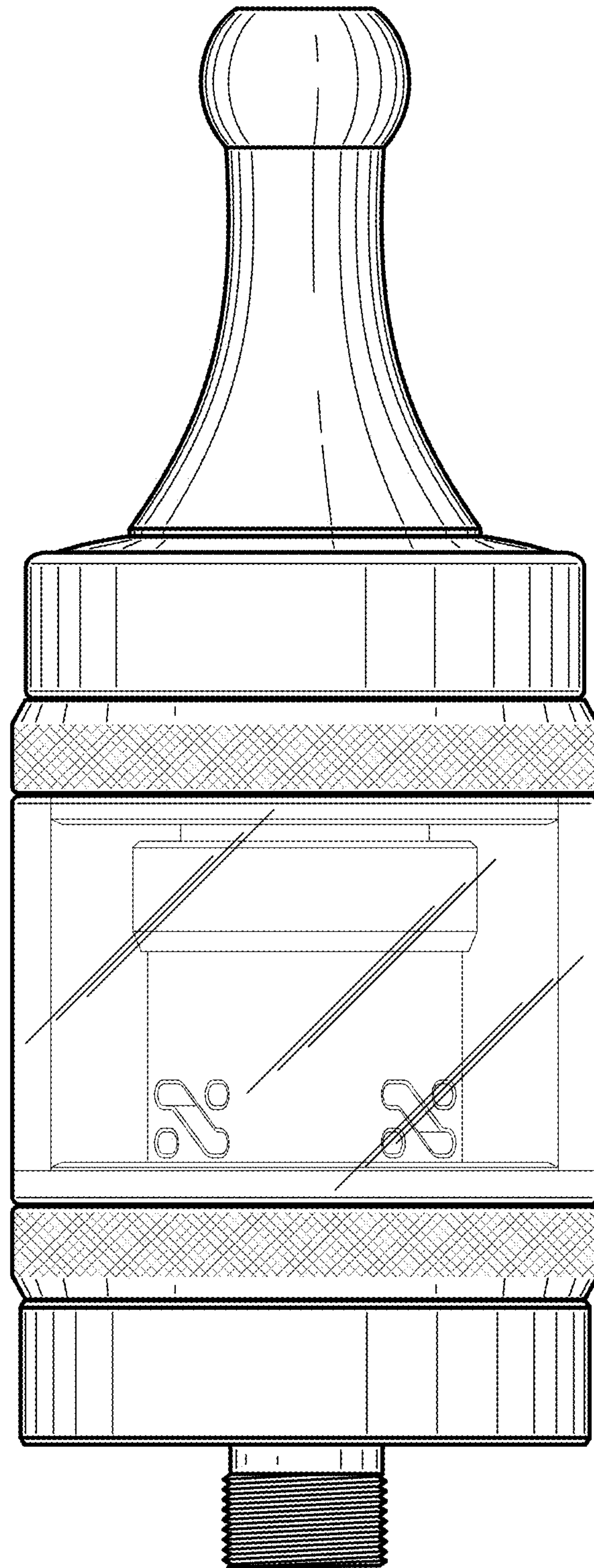


FIG. 4

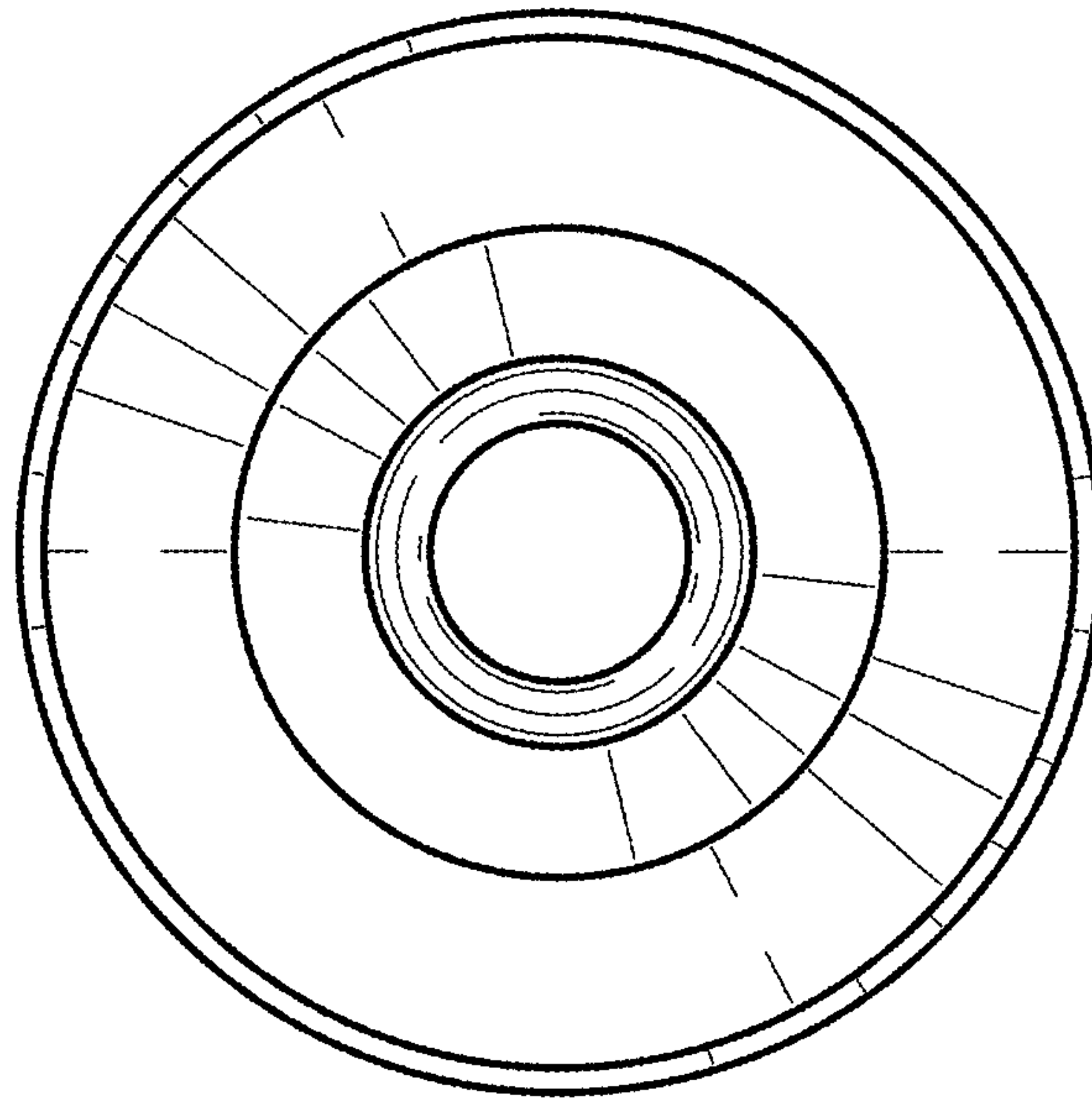


FIG. 5

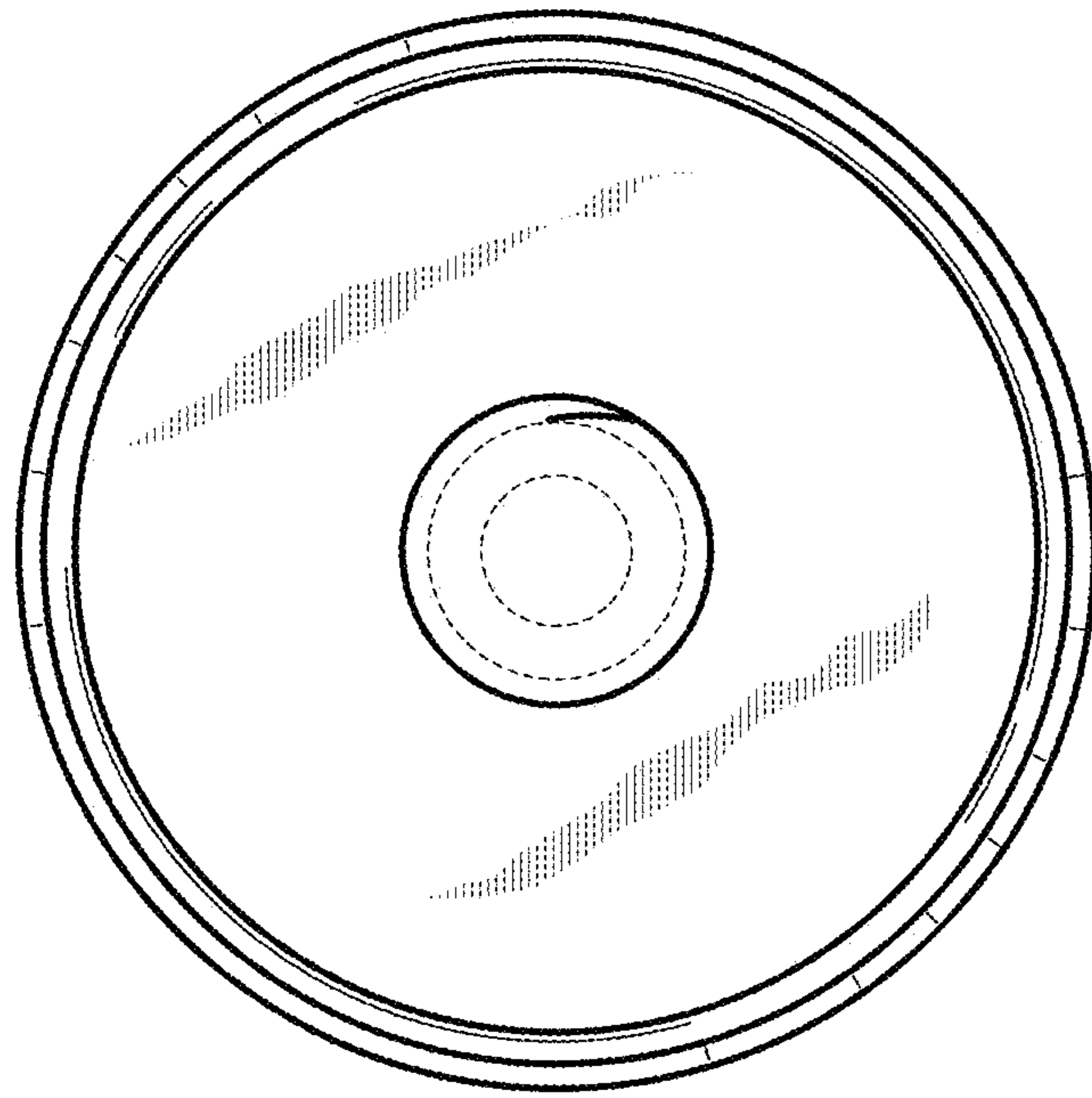


FIG. 6

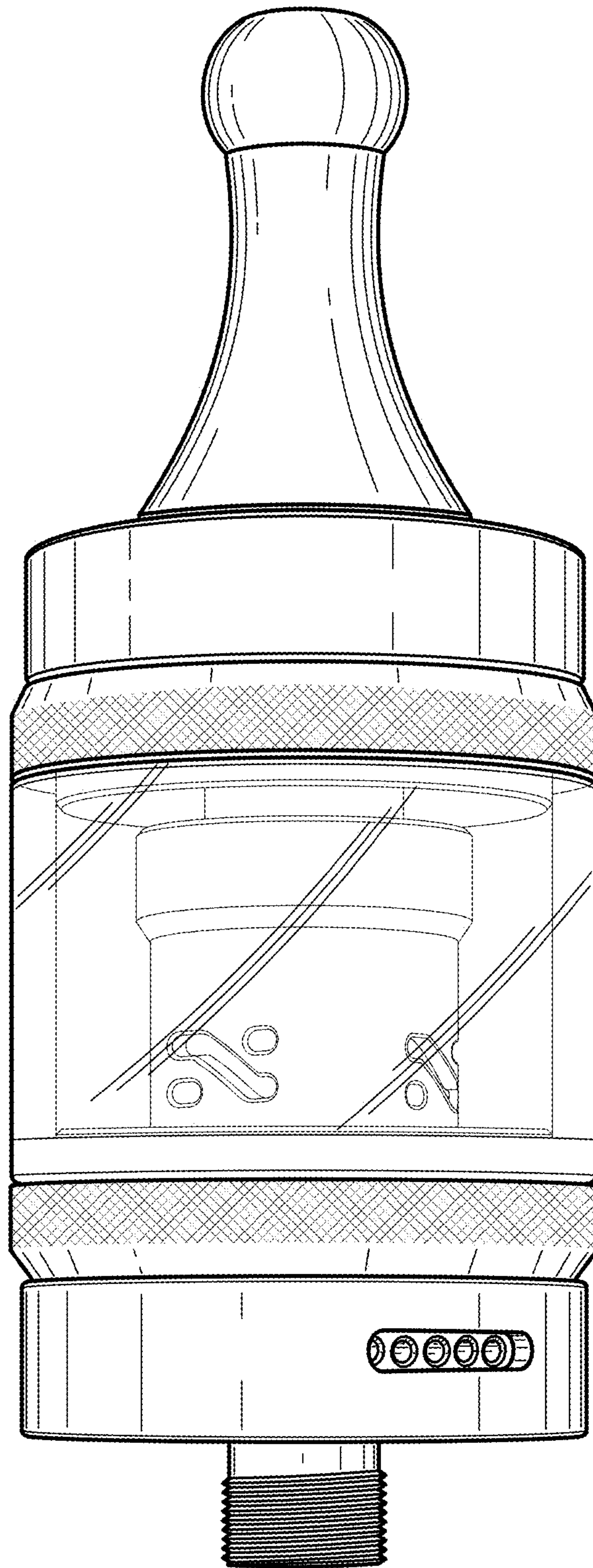


FIG. 7