



US00D921280S

(12) **United States Design Patent** (10) **Patent No.:** **US D921,280 S**
Rasmussen et al. (45) **Date of Patent:** **** Jun. 1, 2021**

(54) **CARTRIDGE FOR A PERSONAL VAPORIZER**
(71) Applicant: **Wellness Insight Technologies, Inc.**, San Jose, CA (US)
(72) Inventors: **Dennis Richard Rasmussen**, Campbell, CA (US); **Ramon Alarcon**, Los Gatos, CA (US)
(73) Assignee: **WELLNESS INSIGHT TECHNOLOGIES, INC.**, San Jose, CA (US)
(**) Term: **15 Years**
(21) Appl. No.: **29/669,707**
(22) Filed: **Nov. 9, 2018**
(51) **LOC (13) Cl.** **27-02**
(52) **U.S. Cl.**
USPC **D27/162**
(58) **Field of Classification Search**
USPC D27/162, 100, 101, 163-165, 172, 183, 131/270, 191, 329, 330, 360-365; 128/202.21, 203.12
CPC A24F 47/002; A24F 47/004; A24F 47/006; A24F 47/008; A61M 15/00; A61M 15/06
See application file for complete search history.

D759,303 S * 6/2016 Afridi D27/163
D771,798 S * 11/2016 Li D24/110
D776,254 S * 1/2017 Li D24/110
D822,895 S * 7/2018 Miller D27/101
D831,271 S * 10/2018 Qiu D27/162
D831,272 S * 10/2018 Qiu D27/162
D833,064 S * 11/2018 Verleur D27/172
D874,059 S * 1/2020 Bailey D27/162
2012/0102743 A1 * 5/2012 Wain B26B 21/446 30/41
2013/0152956 A1 * 6/2013 von Borstel A24D 1/18 131/329
2018/0160737 A1 * 6/2018 Verleur A24F 47/008
* cited by examiner

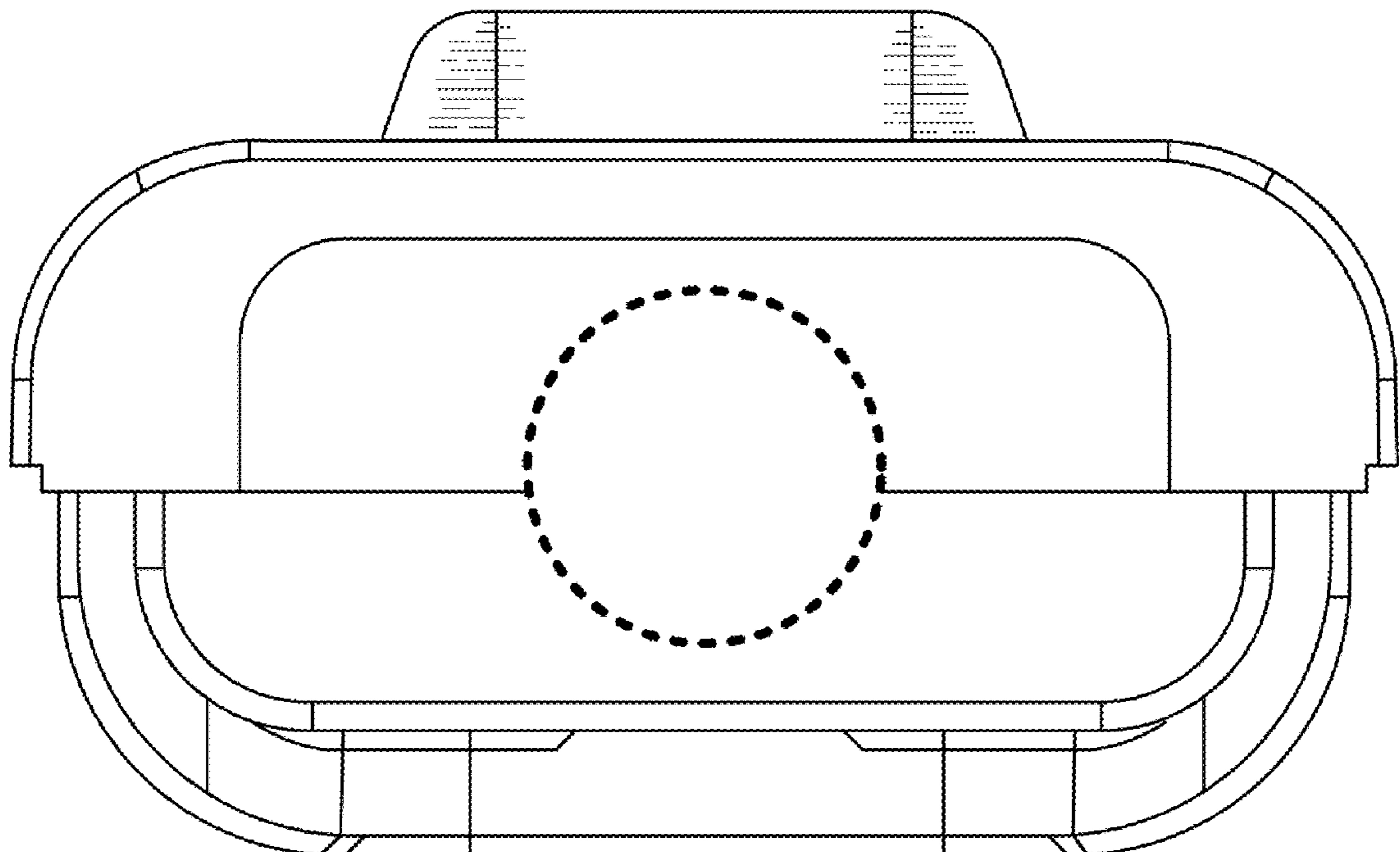
Primary Examiner — Marissa J Cash
Assistant Examiner — Rebecca Tsehaye
(74) *Attorney, Agent, or Firm* — Procopio, Cory, Hargreaves & Savitch LLP; Noel Gillespie

(57) **CLAIM**
The ornamental design for a cartridge for a personal vaporizer, as shown and described.

DESCRIPTION
FIG. 1 is a bottom view of our cartridge for a personal vaporizer;
FIG. 2 is the top view thereof;
FIG. 3 is the right view thereof;
FIG. 4 is the rear view thereof;
FIG. 5 is the front view thereof; and,
FIG. 6 is the right perspective view thereof.
The broken lines in the drawings depict portions of the cartridge for a personal vaporizers that form no part of the claimed design.

(56) **References Cited**
U.S. PATENT DOCUMENTS
D376,871 S * 12/1996 Sanchez D27/183
D650,520 S * 12/2011 Timmermans D27/163
D757,996 S * 5/2016 Hua D27/101

1 Claim, 5 Drawing Sheets



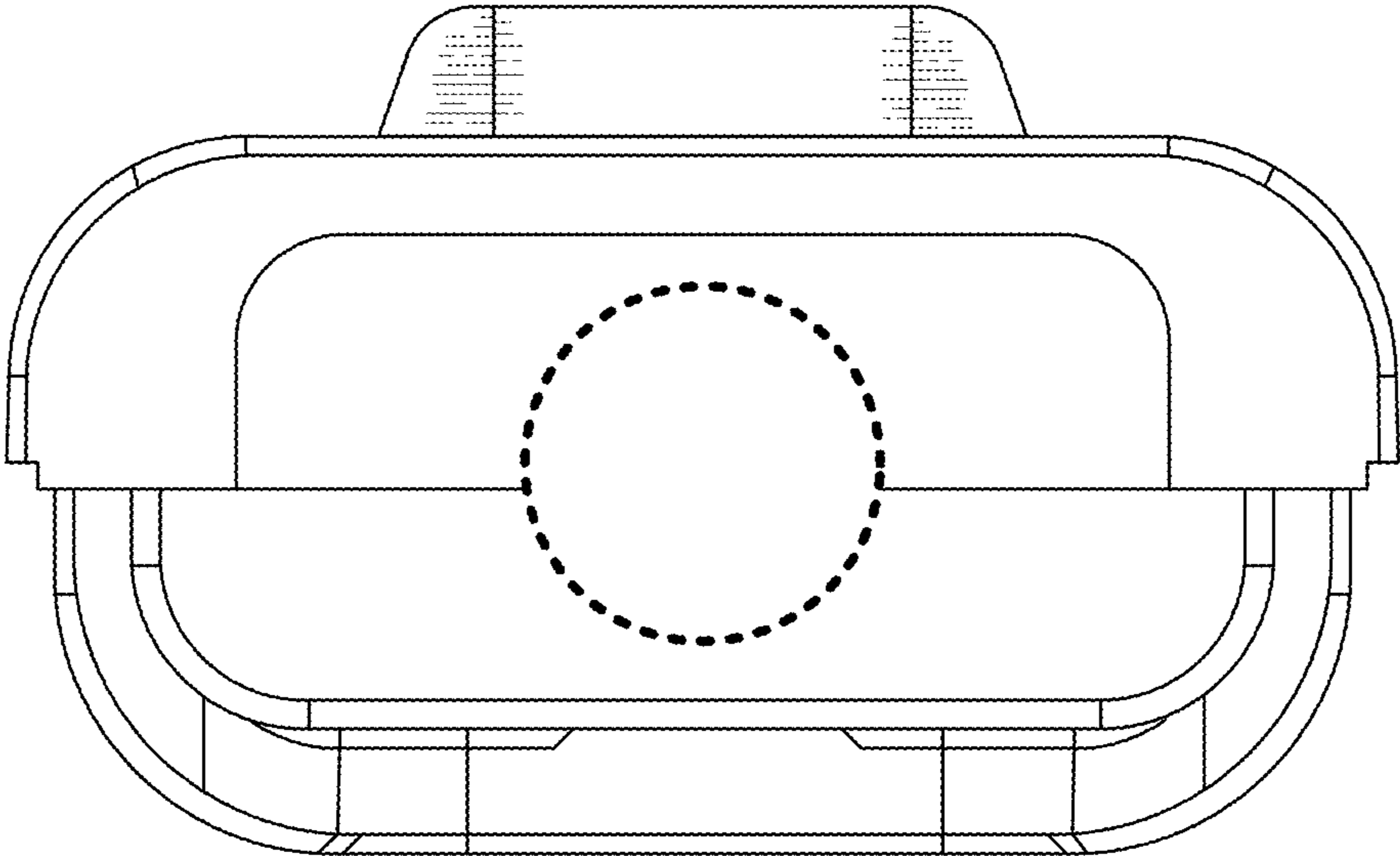


FIG. 1

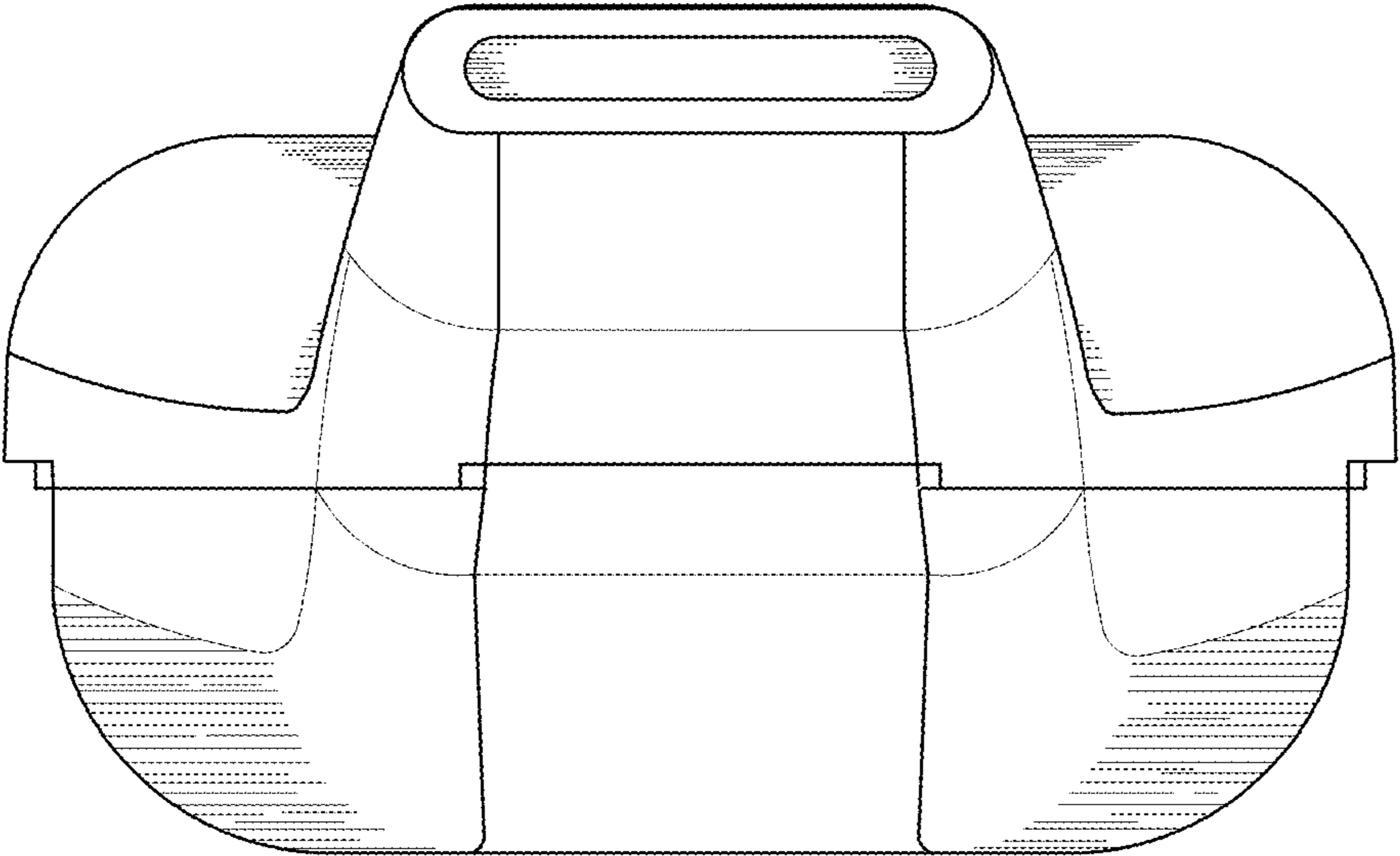


FIG. 2

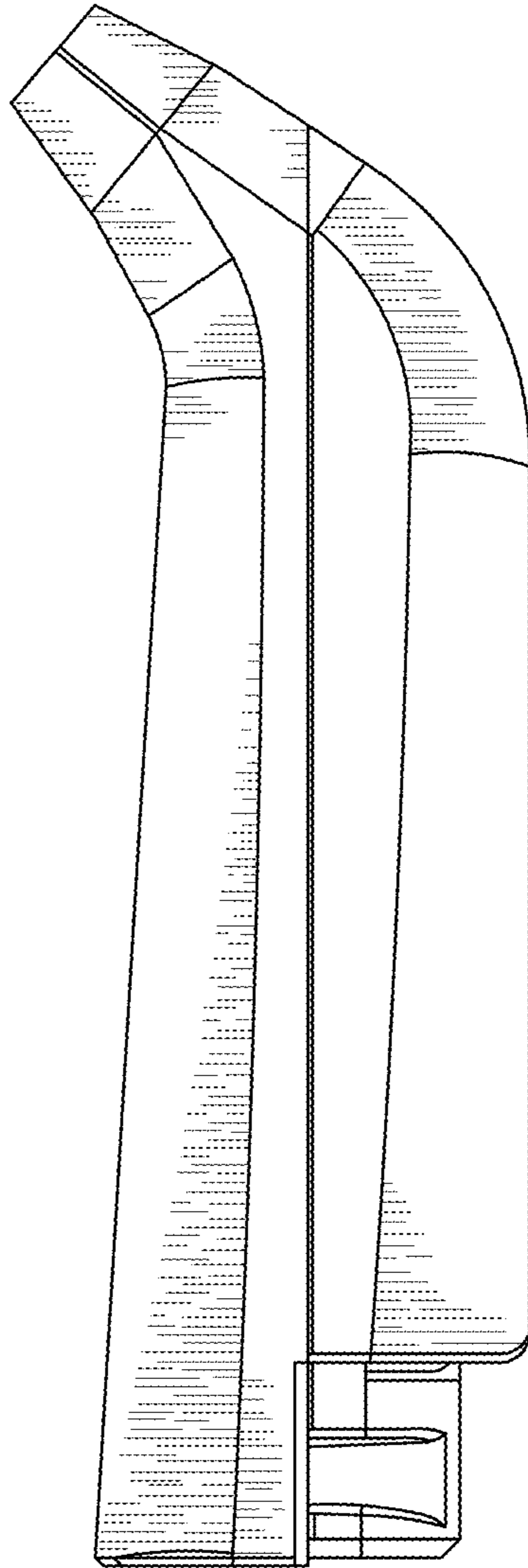


FIG. 3

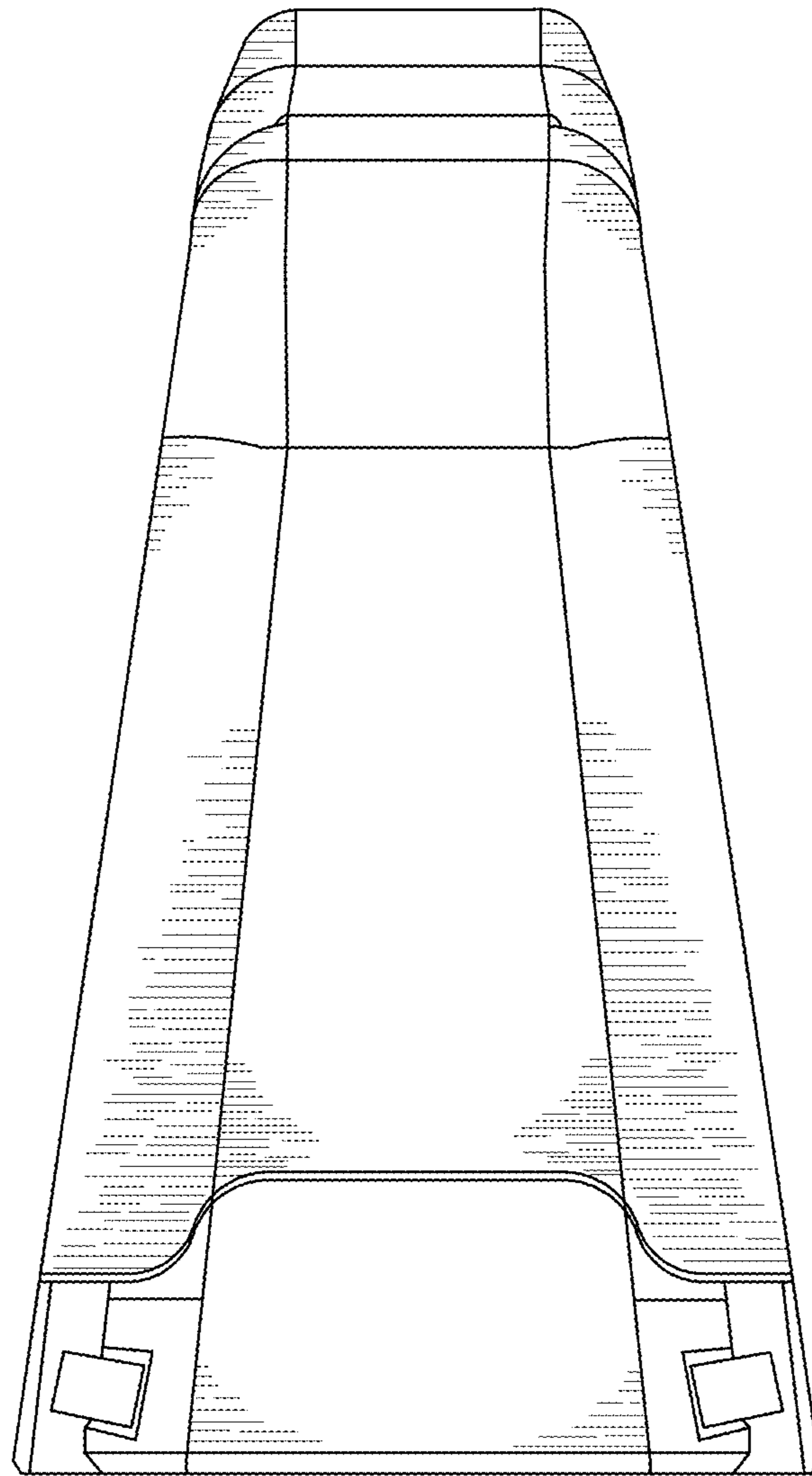


FIG. 4

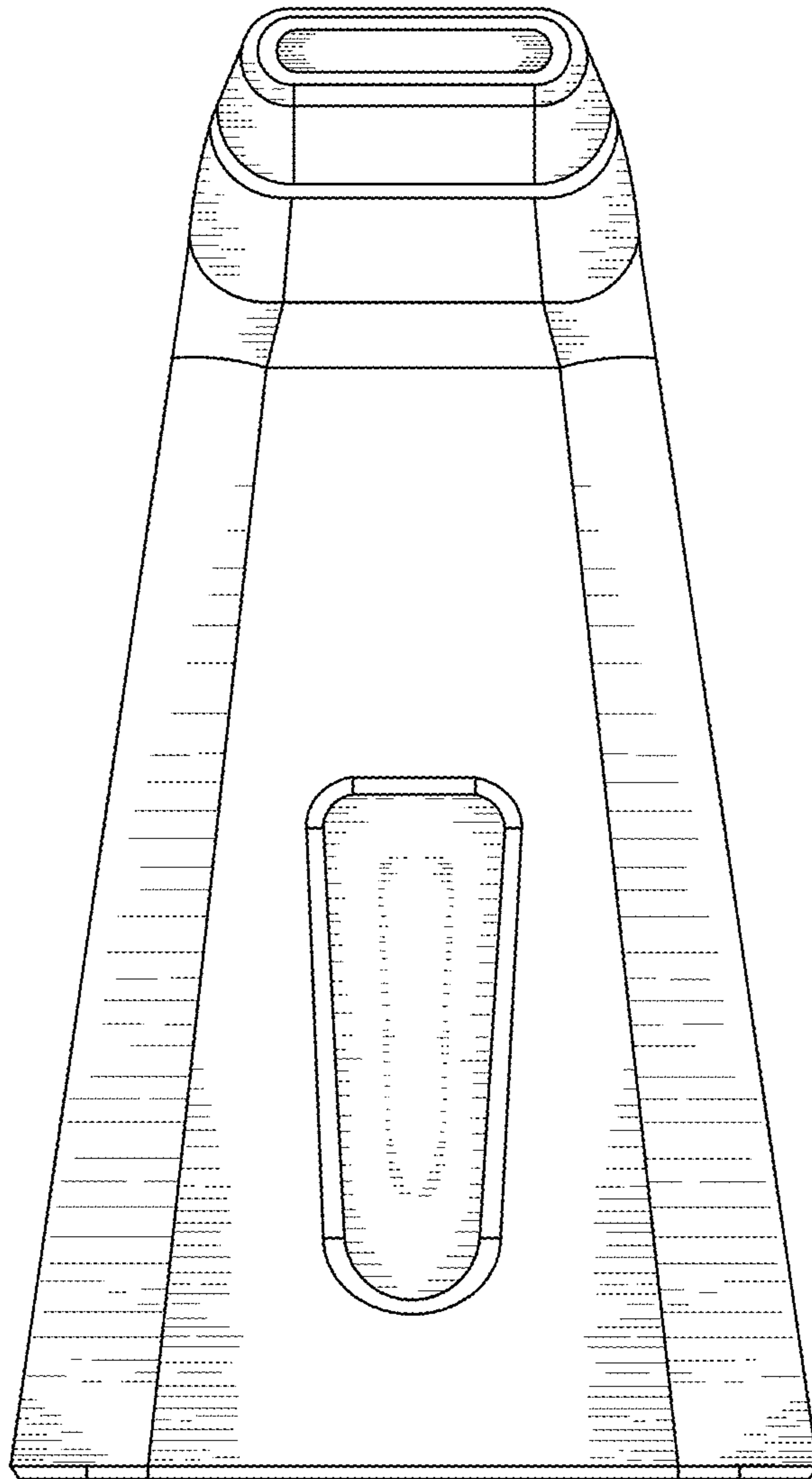


FIG. 5

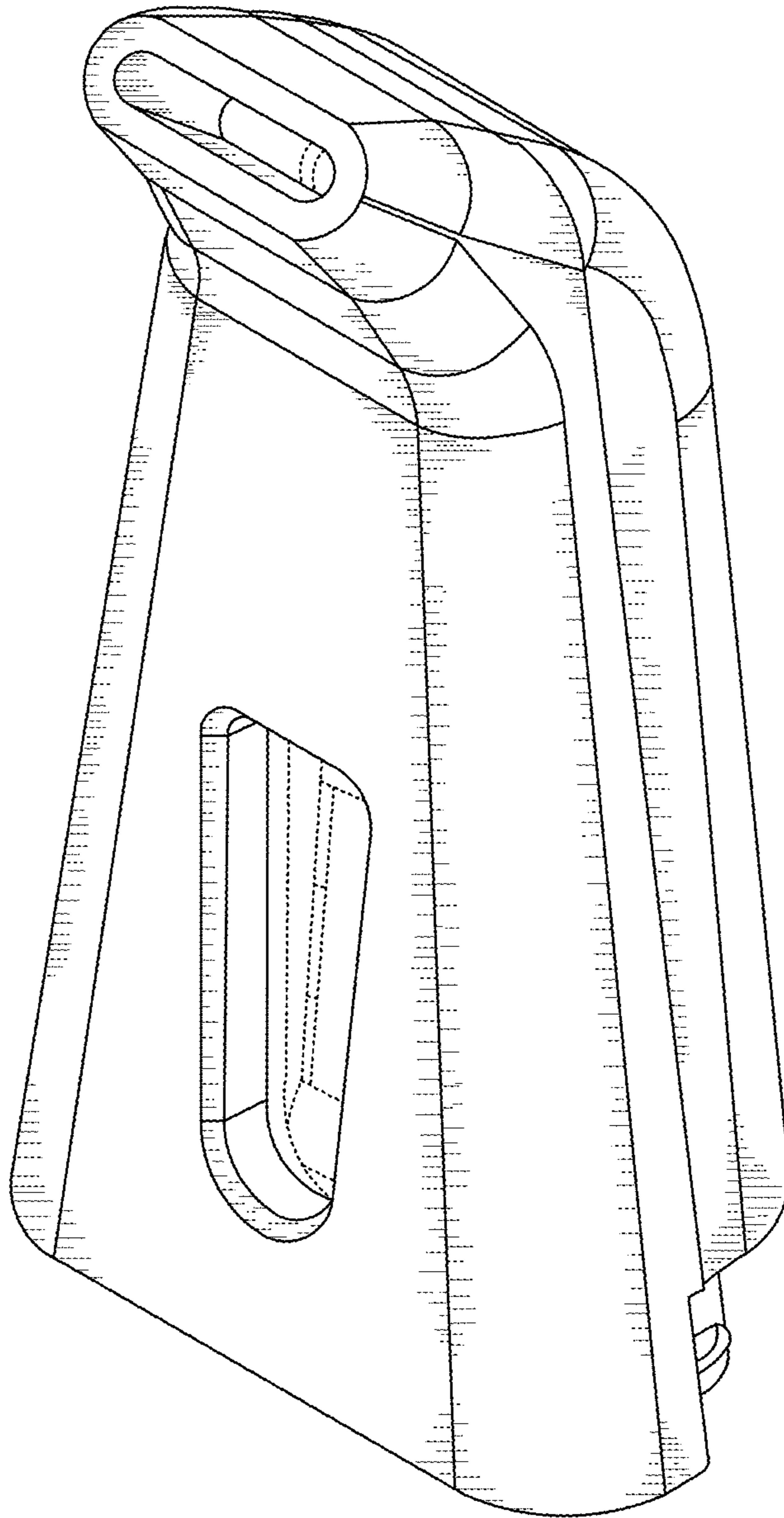


FIG. 6