



US00D921276S

(12) **United States Design Patent** (10) **Patent No.:** **US D921,276 S**  
**Yu** (45) **Date of Patent:** **\*\* Jun. 1, 2021**

(54) **LED LIGHT FIXTURE**  
(71) Applicant: **Chung Han Yu**, City of Industry, CA (US)  
(72) Inventor: **Chung Han Yu**, City of Industry, CA (US)  
(\*\*) Term: **15 Years**  
(21) Appl. No.: **29/702,345**  
(22) Filed: **Aug. 19, 2019**  
(51) **LOC (13) Cl.** ..... **26-03**  
(52) **U.S. Cl.**  
USPC ..... **D26/89**  
(58) **Field of Classification Search**  
USPC ..... D26/24, 72, 76, 80, 85, 89, 88  
CPC .... F21S 8/03; F21S 8/036; F21S 8/037; F21S 9/02; F21S 9/024; F21S 9/03; F21S 9/037; F21W 2131/107; G08B 13/19; G08B 13/193  
See application file for complete search history.

(56) **References Cited**  
U.S. PATENT DOCUMENTS  
D633,644 S \* 3/2011 Sprengers ..... D26/89  
D667,162 S \* 9/2012 Choi ..... D26/89  
D690,453 S \* 9/2013 Guercio ..... D26/88

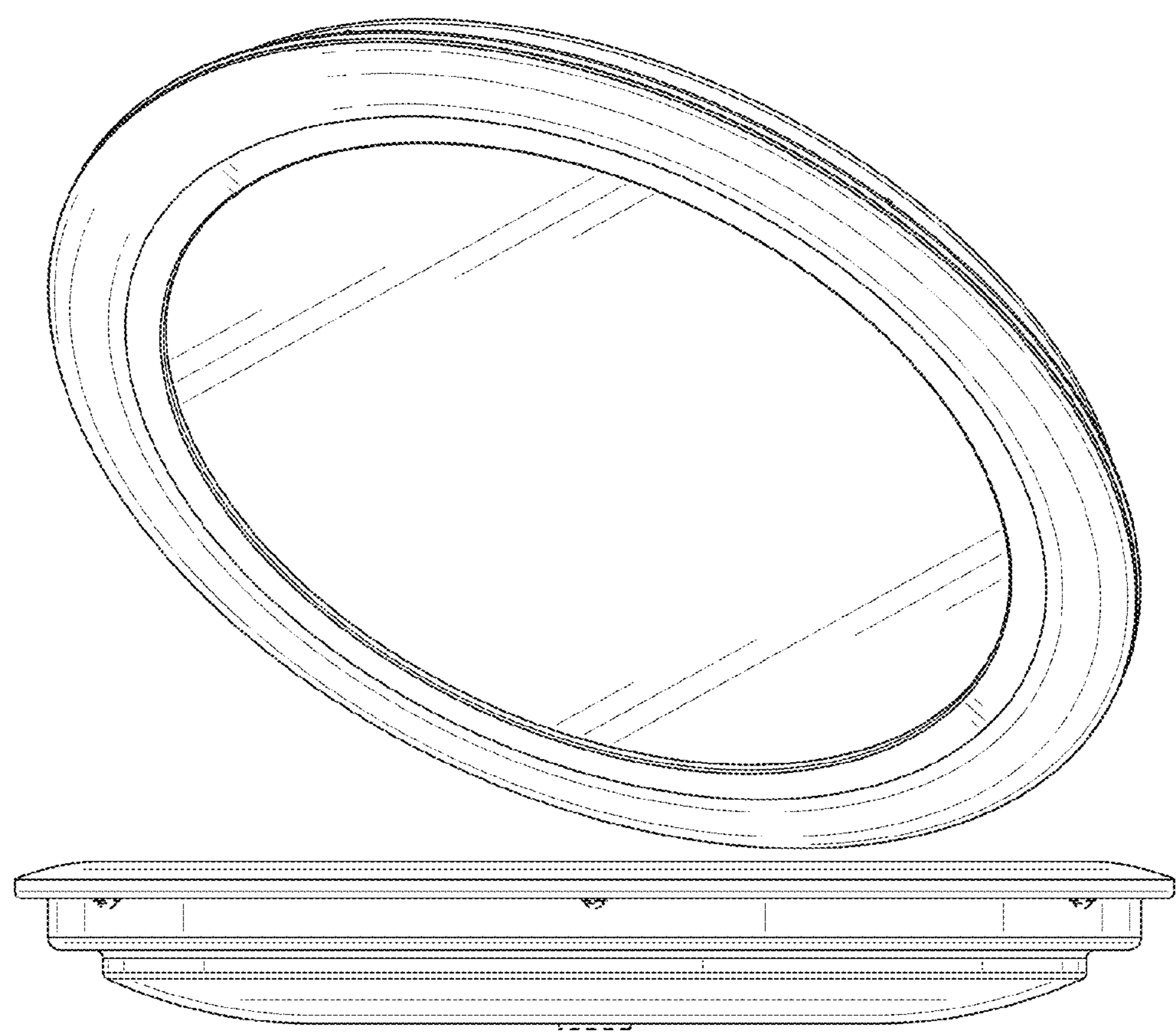
D695,945 S \* 12/2013 Wright ..... D26/89  
D718,485 S \* 11/2014 Wright ..... D26/89  
D741,535 S \* 10/2015 Wright ..... D26/89  
D800,370 S \* 10/2017 Sonneman ..... D26/89  
D830,611 S \* 10/2018 Boissevain ..... D26/89  
D909,656 S \* 2/2021 Ng ..... D26/89  
2017/0268736 A1\* 9/2017 Harpenau ..... F21S 8/03  
2019/0101257 A1\* 4/2019 Boulanger ..... F21V 15/01

\* cited by examiner  
*Primary Examiner* — Clare E Heflin  
(74) *Attorney, Agent, or Firm* — Leech Tishman Fuscaldo & Lampl; Michael D. Lazzara

(57) **CLAIM**  
The ornamental design for the LED light fixture, as shown and described.

**DESCRIPTION**  
FIG. 1 is a bottom perspective view of the LED light fixture showing my new design;  
FIG. 2 is a bottom plan view thereof;  
FIG. 3 is a top plan view thereof;  
FIG. 4 is a right side elevation view thereof;  
FIG. 5 is a left side elevation view thereof;  
FIG. 6 is a front elevation view thereof; and,  
FIG. 7 is a rear elevation view thereof.  
The broken lines depict portions of the LED light fixture in which the design is embodied and form no part of the claimed design.

**1 Claim, 7 Drawing Sheets**



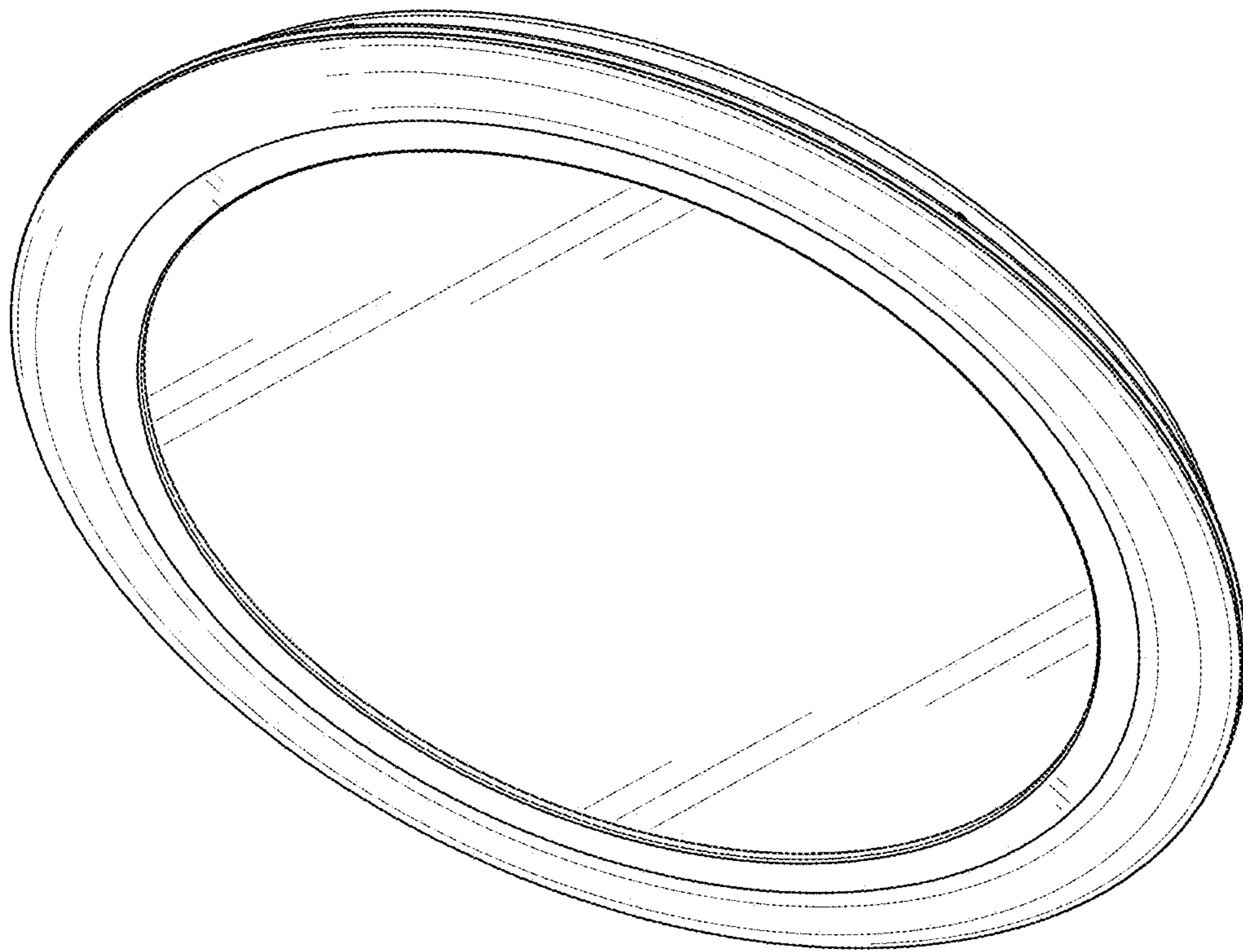


FIG. 1

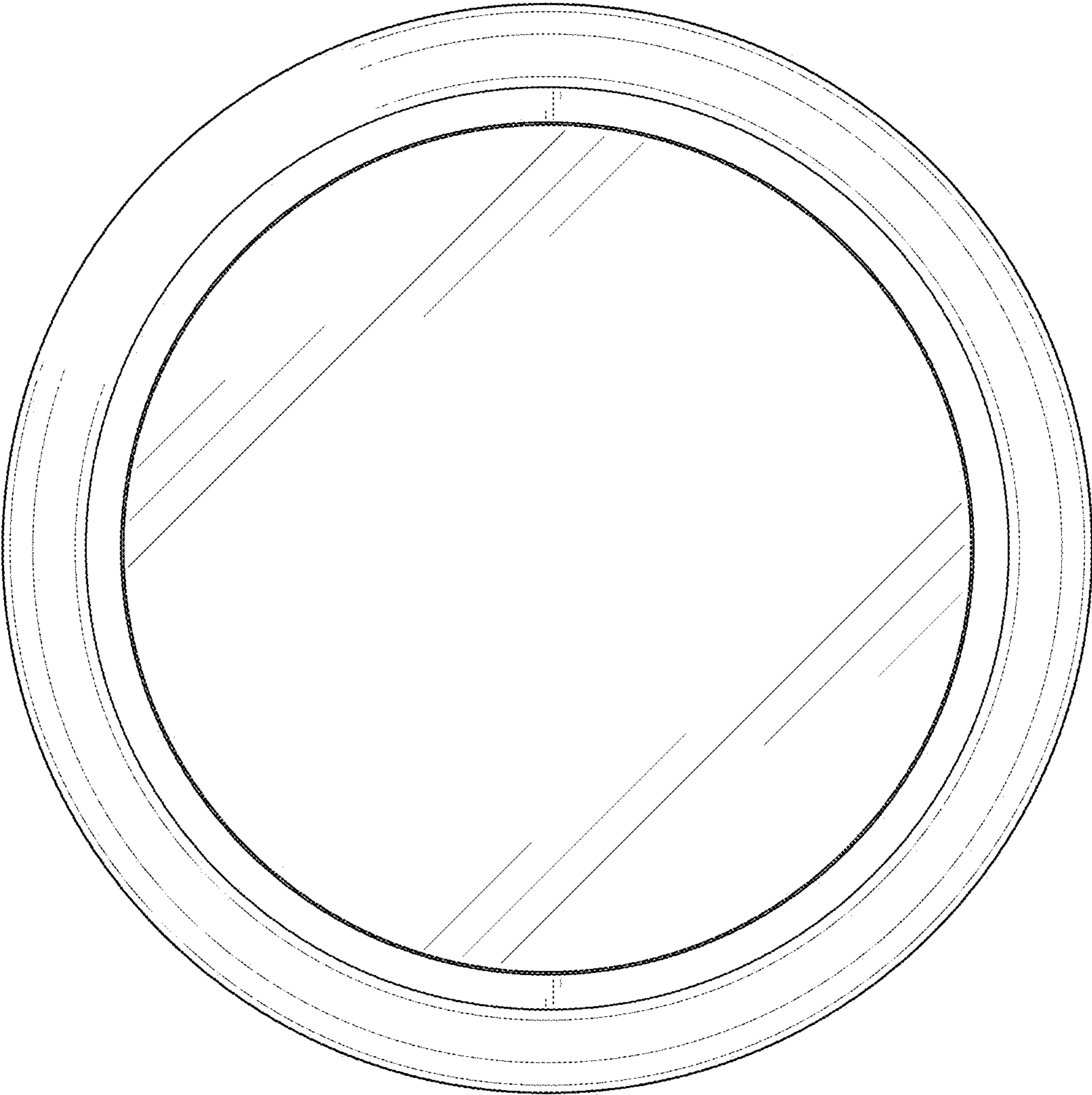


FIG. 2



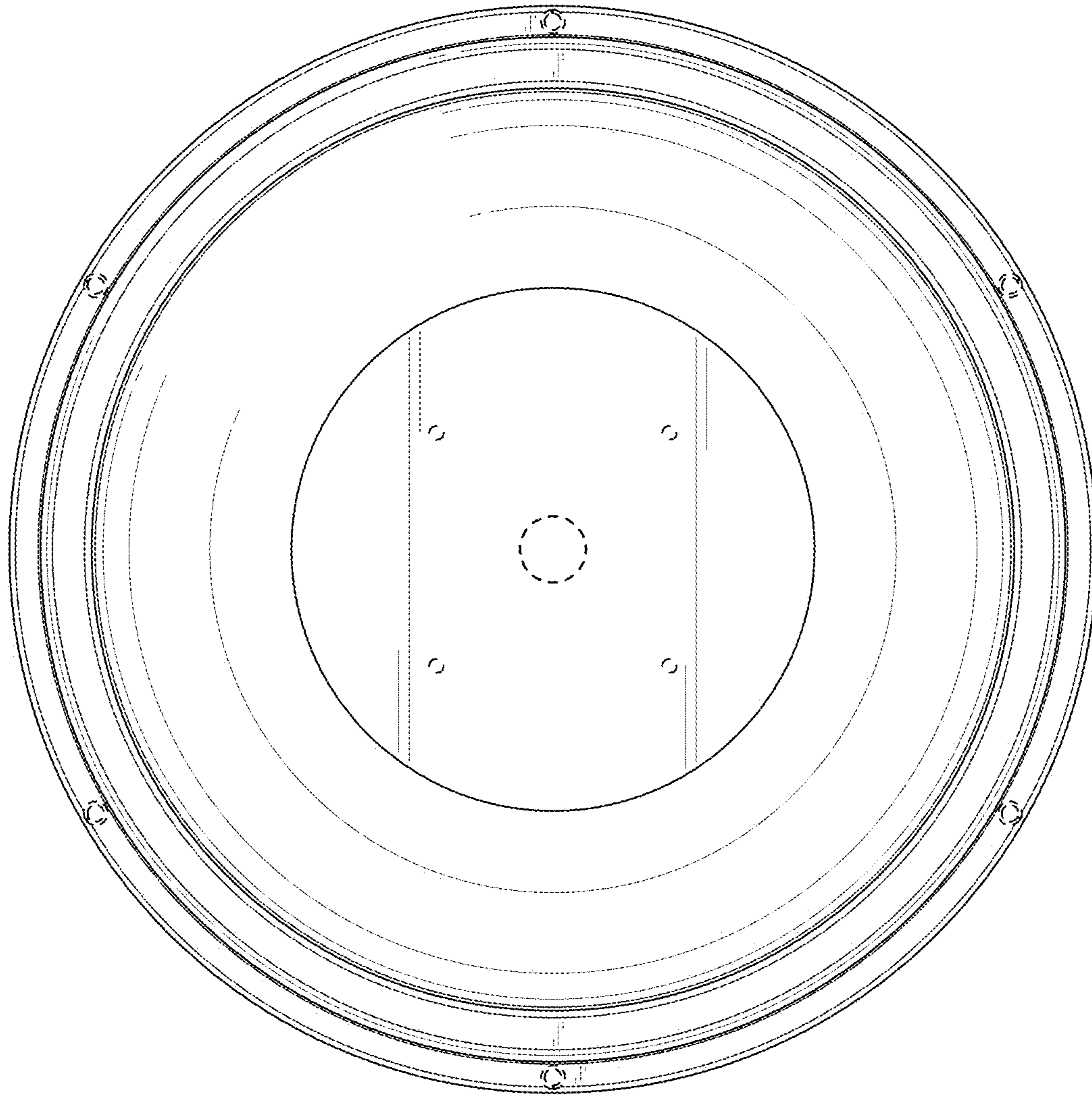


FIG. 3

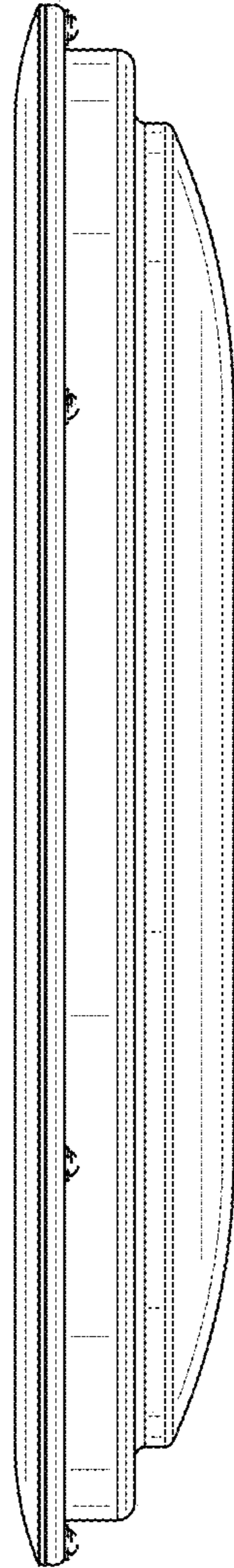


FIG. 4

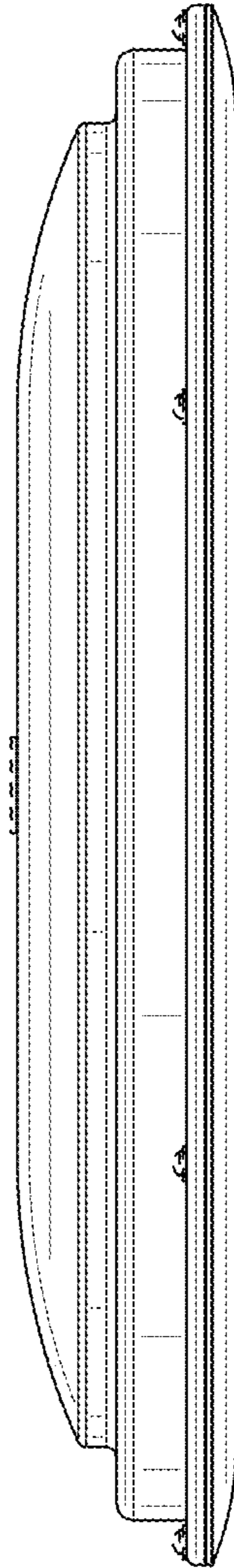


FIG. 5

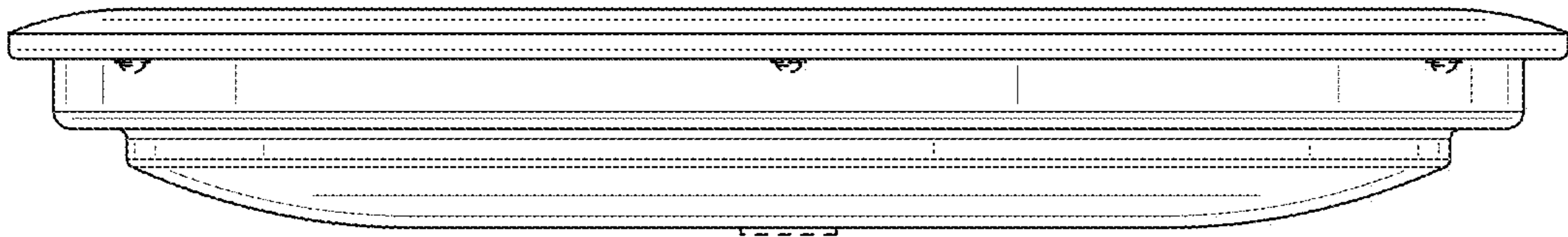


FIG. 6

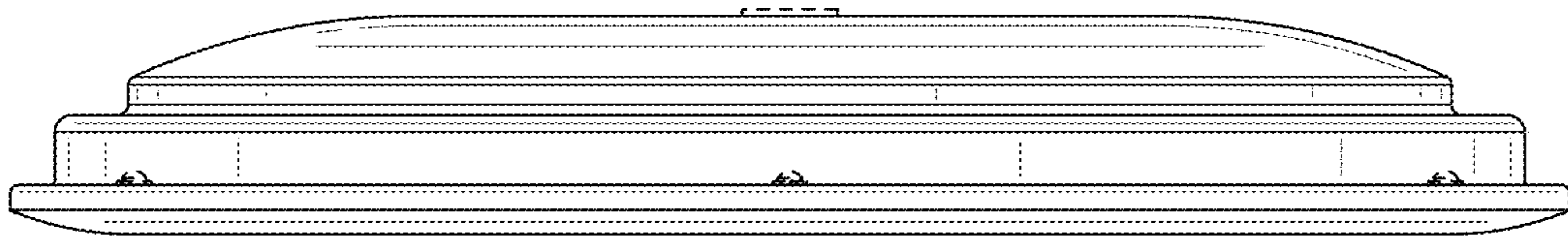


FIG. 7