



US00D921274S

(12) **United States Design Patent**  
**Jiang**

(10) **Patent No.:** **US D921,274 S**

(45) **Date of Patent:** **\*\* Jun. 1, 2021**

(54) **LAMP**

(71) Applicant: **Qiu Jiang**, Dongguan (CN)

(72) Inventor: **Qiu Jiang**, Dongguan (CN)

(\*\*) Term: **15 Years**

(21) Appl. No.: **29/744,211**

(22) Filed: **Jul. 28, 2020**

(51) **LOC (13) Cl.** ..... **26-03**

(52) **U.S. Cl.**  
USPC ..... **D26/86; D26/87**

(58) **Field of Classification Search**  
USPC ..... D26/80, 85–87, 92  
CPC ..... F21S 8/03; F21S 8/035; F21S 8/036  
See application file for complete search history.

(56) **References Cited**

**U.S. PATENT DOCUMENTS**

D510,452 S *	10/2005	Porter	.....	D26/80
D514,730 S *	2/2006	Lo	.....	D26/86
D564,693 S *	3/2008	Ziliani	.....	D26/85
D576,339 S *	9/2008	Porter	.....	D26/80
D686,770 S *	7/2013	Orozco	.....	D26/86
D754,906 S *	4/2016	Smith	.....	D26/87
D819,868 S *	6/2018	Qiao	.....	D26/87
D845,535 S *	4/2019	Van Duysen	.....	D26/87
D865,266 S	10/2019	De Bevilacqua et al.	.....	
D882,149 S *	4/2020	Lin	.....	D26/87
D893,791 S *	8/2020	Lin	.....	D26/87
D906,577 S *	12/2020	Gardner	.....	D26/87
D907,275 S *	1/2021	Chen	.....	D26/86

**OTHER PUBLICATIONS**

3-Light Glass Vanity Light Fixture by JOOSENHOUSE. Model No. JQ8260, available at amazon.com Jun. 3, 2020. (Year: 2020).\*  
Vanity Light 3-Light by ZEYU model No. ZY-6106-3 BN, available at amazon.com Sep. 17, 2019. (Year: 2019).\*  
Emliviar 3-Light Bathroom Vanity Light Fixture, model No. 21002-3B, available at amazon.com Dec. 12, 2018. (Year: 2018).\*

\* cited by examiner

*Primary Examiner* — Clare E Heflin

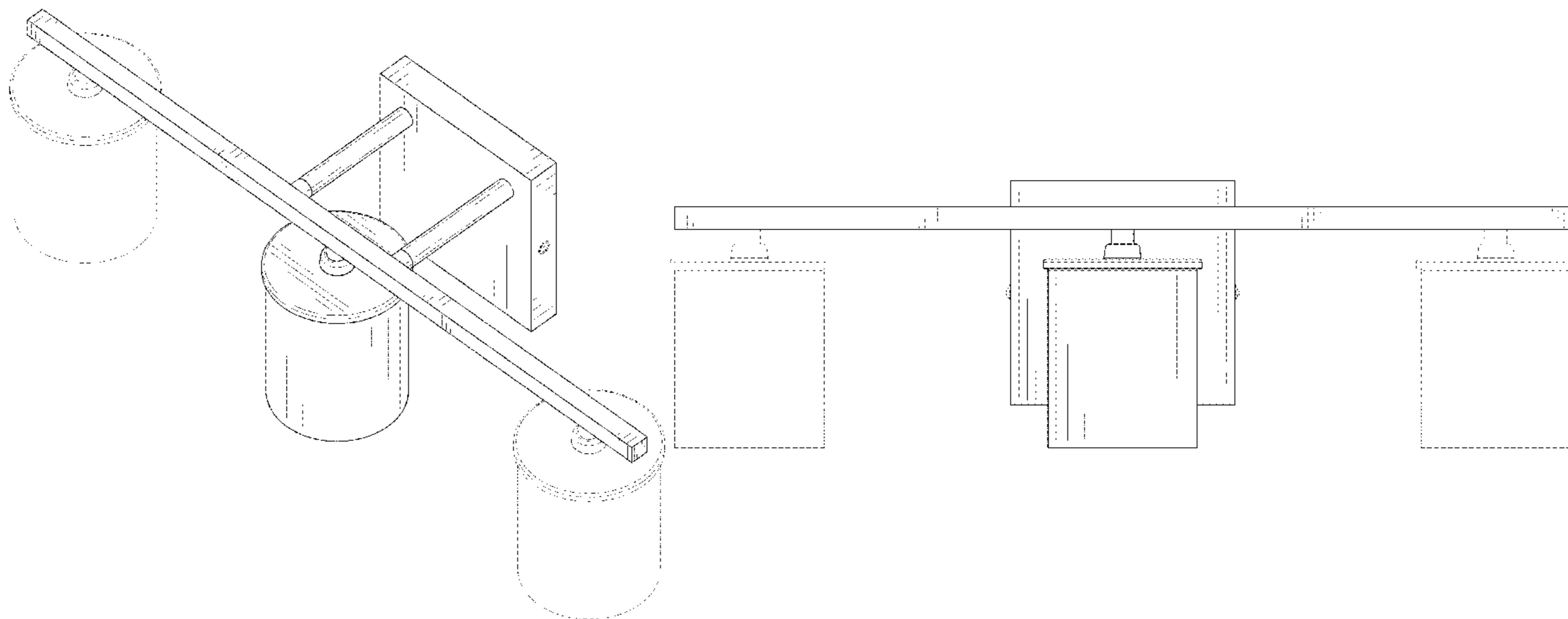
(57) **CLAIM**

The ornamental design for a lamp, as shown and described.

**DESCRIPTION**

FIG. 1 is a front and top perspective view of a lamp, showing my new design;  
FIG. 2 is a rear and bottom perspective view thereof;  
FIG. 3 is a front elevational view thereof;  
FIG. 4 is a rear elevational view thereof;  
FIG. 5 is a left side elevational view thereof;  
FIG. 6 is a right side elevational view thereof;  
FIG. 7 is a top plan view thereof; and,  
FIG. 8 is a bottom plan view thereof.  
The broken lines in the figures illustrate portions of the article that form no part of the claimed design.

**1 Claim, 8 Drawing Sheets**



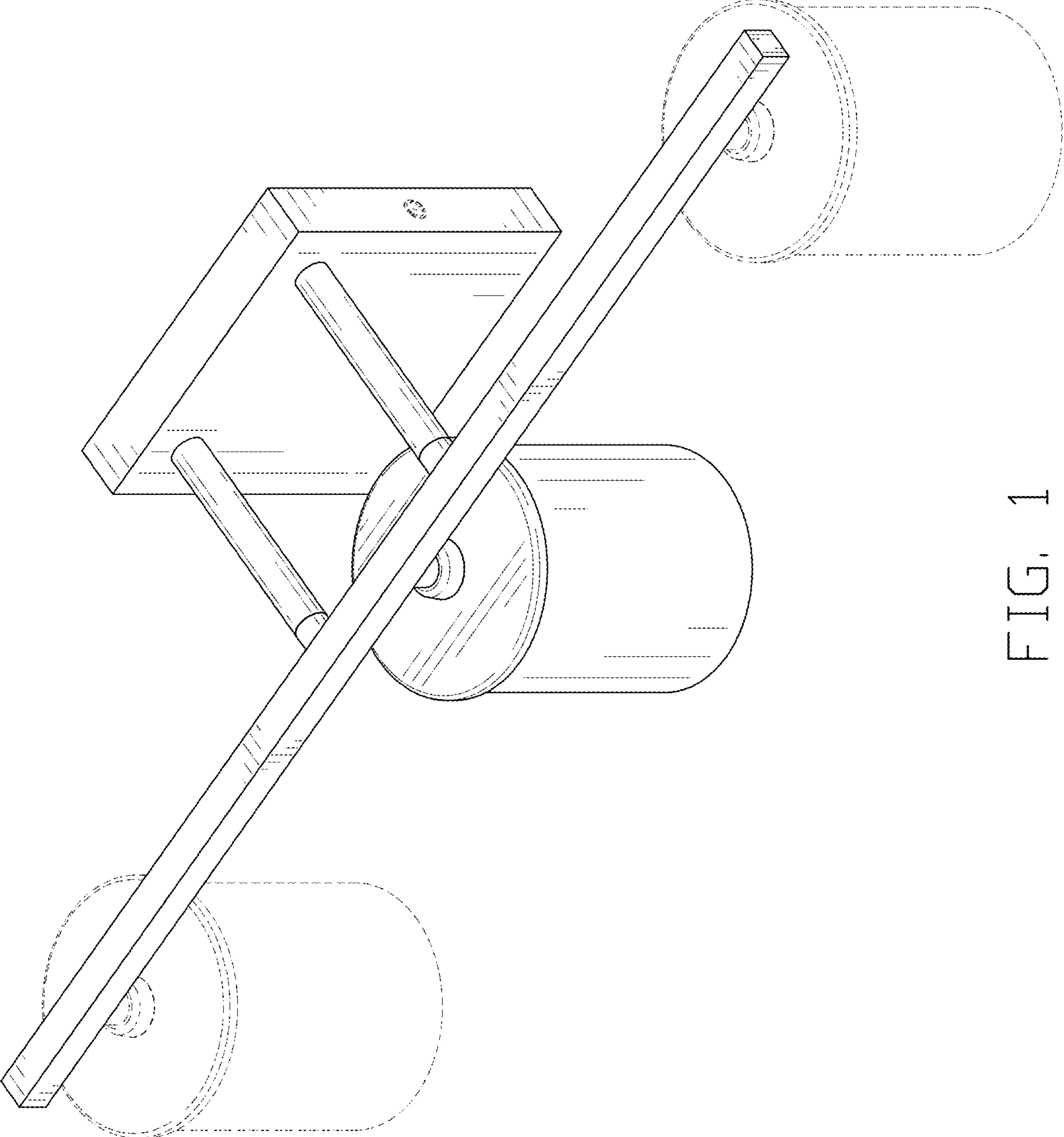


FIG. 1

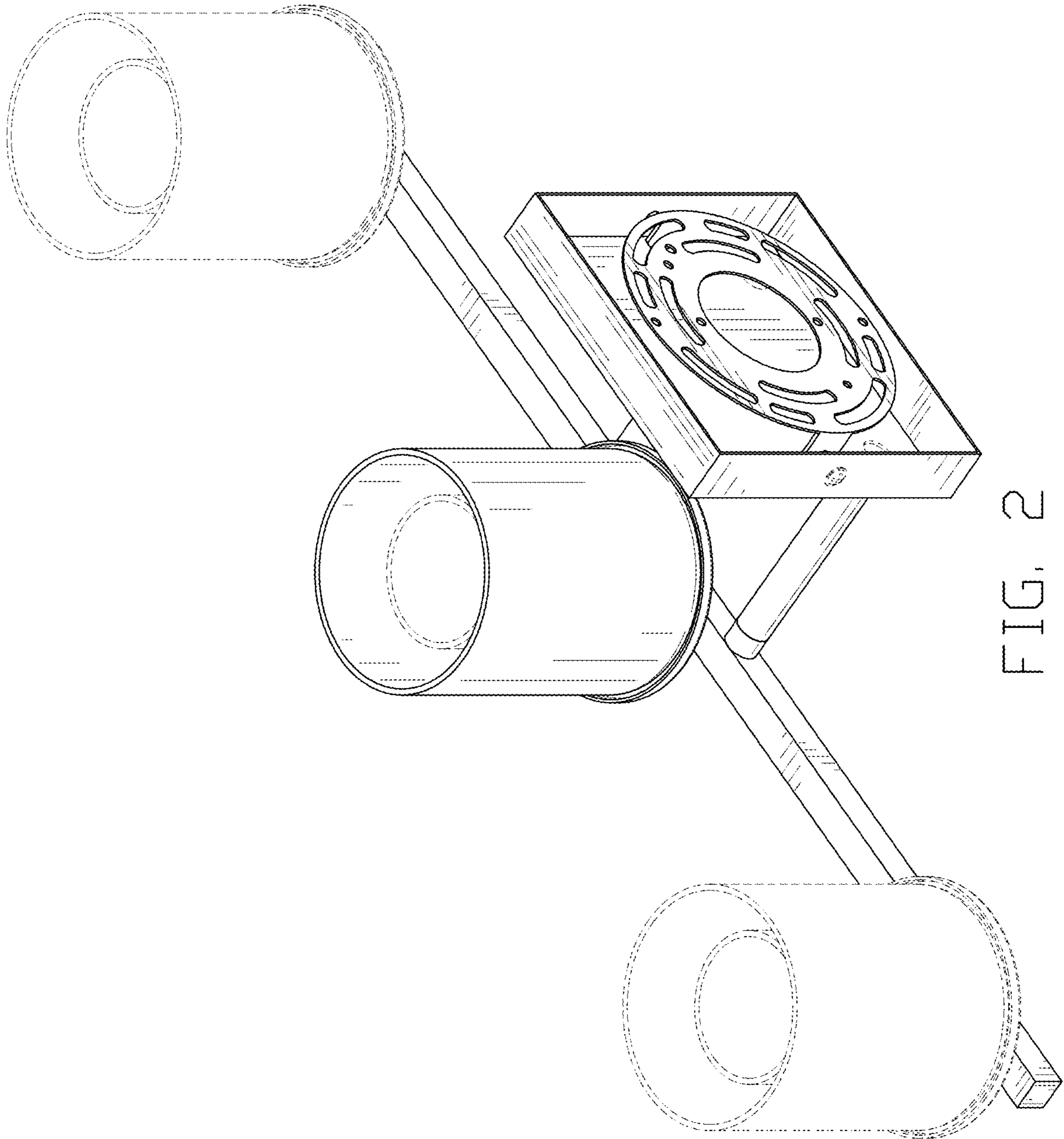


FIG. 2

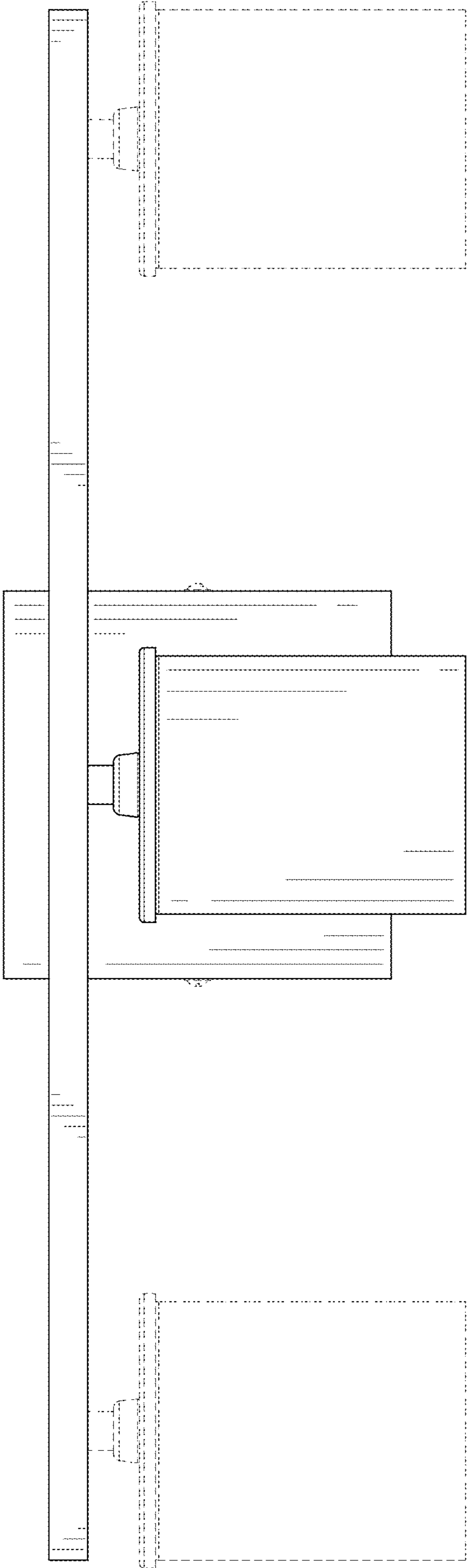


FIG. 3

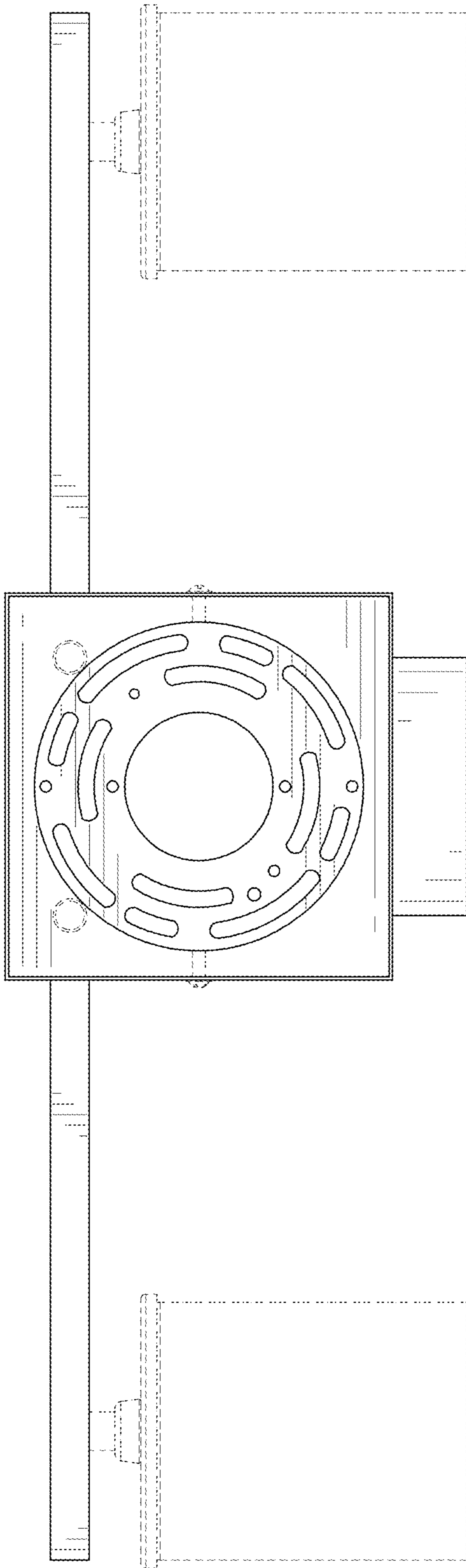


FIG. 4

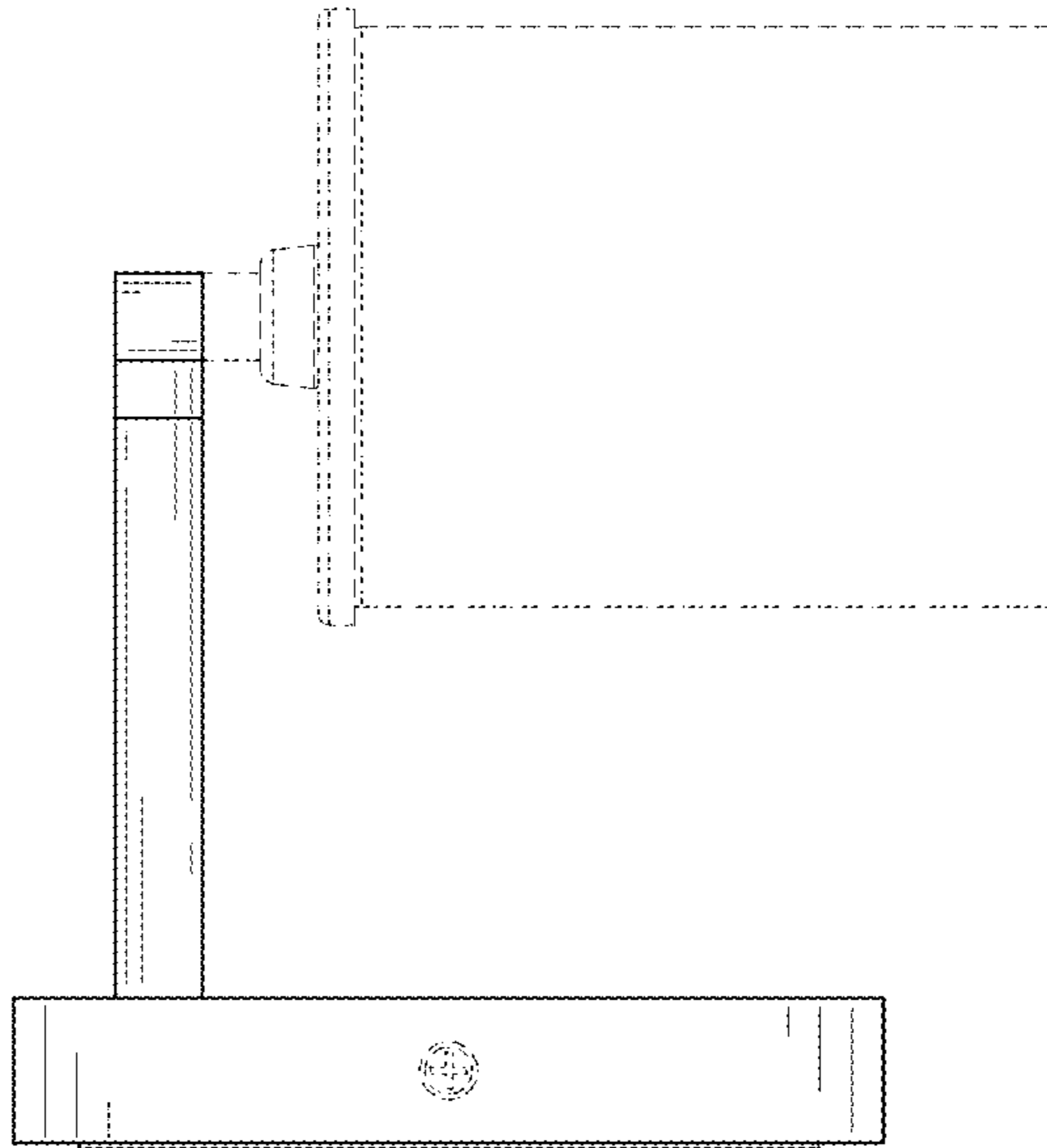


FIG. 5

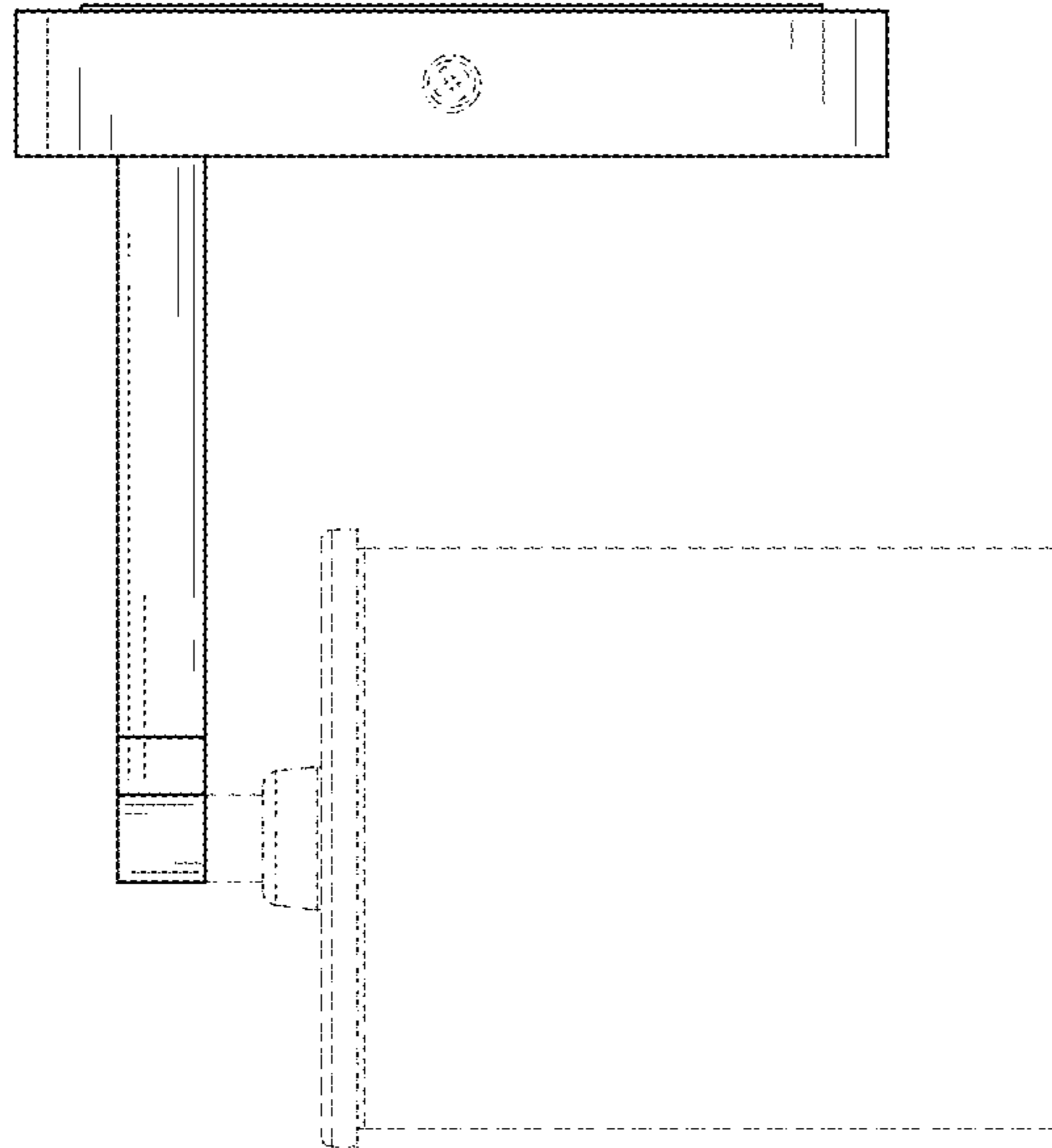


FIG. 6



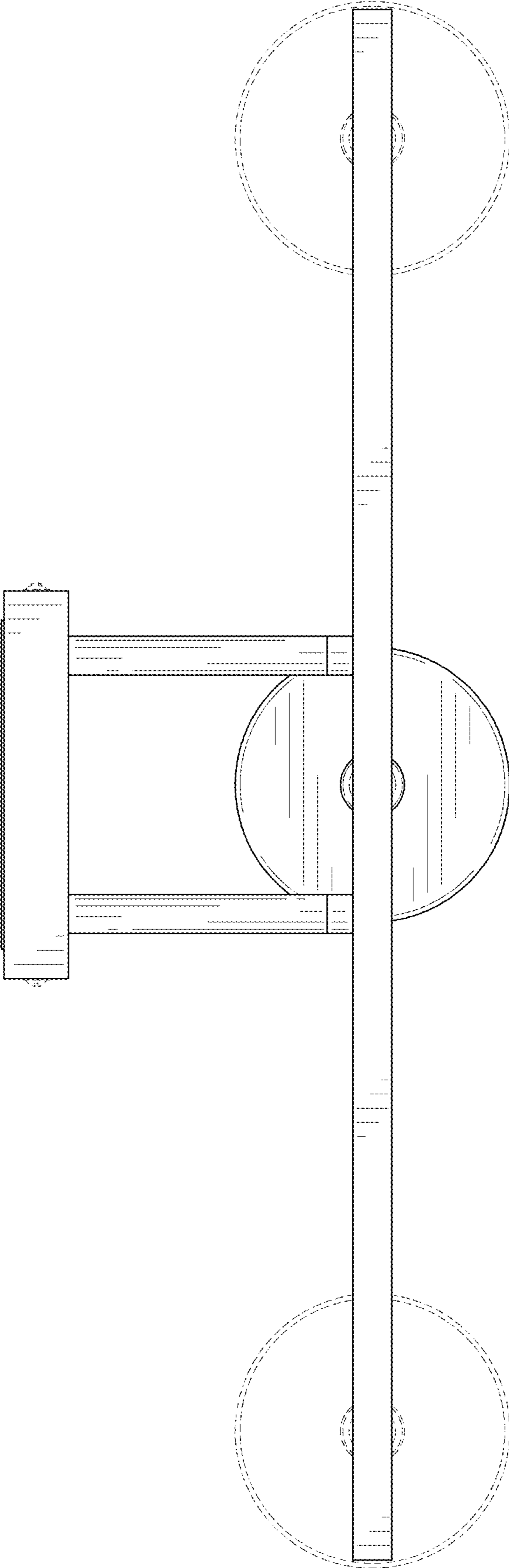


FIG. 7



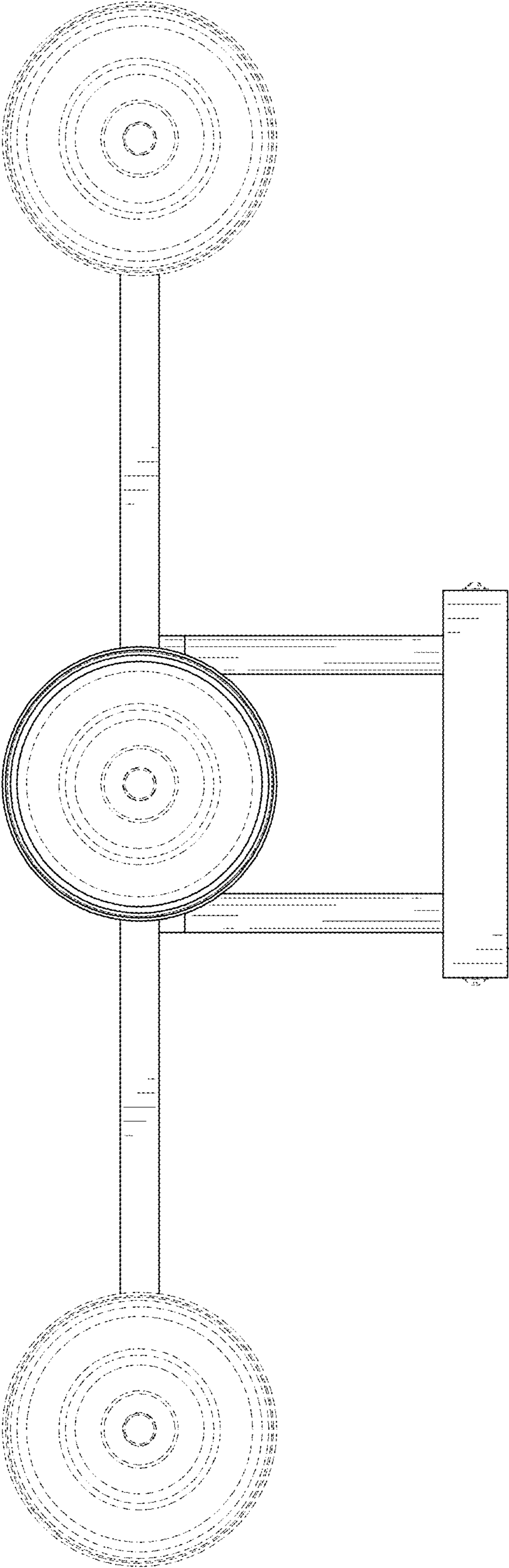


FIG. 8