



US00D921272S

(12) **United States Design Patent**  
**Li et al.**

(10) **Patent No.:** **US D921,272 S**  
(45) **Date of Patent:** **\*\* Jun. 1, 2021**

(54) **STRIP LAMP**

(71) Applicant: **Torshare Ltd.**, Guangdong (CN)

(72) Inventors: **Mantie Li**, Guangdong (CN); **Zhipeng Ke**, Guangdong (CN)

(73) Assignee: **Torshare Ltd.**, Shenzhen (CN)

(\*\*) Term: **15 Years**

(21) Appl. No.: **29/716,584**

(22) Filed: **Dec. 10, 2019**

(51) **LOC (13) Cl.** ..... **26-04**

(52) **U.S. Cl.**  
USPC ..... **D26/76**

(58) **Field of Classification Search**  
USPC ..... D26/3, 24-27, 60-69, 72, 74-78, 80-86,  
D26/88, 89, 93, 104, 106, 108, 109, 110,  
D26/113, 118-120, 122-124, 130,  
D26/133-137, 37-42, 46, 50;  
D10/111-115  
CPC ..... F21S 8/02; F21S 8/03; F21S 8/04; F21S  
8/06; F21S 8/026; F21S 8/046; F21S  
8/088; F21S 8/033; F21S 8/37; F21S  
8/048; F21S 8/083; F21S 2/00; F21V  
15/00; F21V 15/01; F21V 17/164; F21V  
23/026

See application file for complete search history.

(56) **References Cited**

**U.S. PATENT DOCUMENTS**

D336,350 S *	6/1993	Stearns	.....	D26/37
D594,999 S *	6/2009	Uchida	.....	D26/3
D608,928 S *	1/2010	Noh	.....	D26/76
D626,267 S *	10/2010	Ng	.....	D26/76
D654,612 S *	2/2012	Ng	.....	D26/80
D701,989 S *	4/2014	Rodgers	.....	D26/76
D709,636 S *	7/2014	Murata	.....	D26/72
D735,392 S *	7/2015	Ng	.....	D26/76
D750,308 S *	2/2016	Rodgers	.....	D26/76

D786,478 S *	5/2017	Waldmann	.....	D26/76
D840,086 S *	2/2019	Deng	.....	D26/76
D840,087 S *	2/2019	Zeng	.....	D26/76
D844,880 S *	4/2019	Zeng	.....	D26/76

(Continued)

**FOREIGN PATENT DOCUMENTS**

CN	301979337	*	7/2012
CN	303495913	*	8/2015

(Continued)

**OTHER PUBLICATIONS**

“8W T5 LED Tube,” Feb. 28, 2014, tradeindia.com, site visited Feb. 10, 2021, URL: <https://www.tradeindia.com/fp1915040/8W-T5-LED-Tube.html> (Year: 2014).\*

(Continued)

*Primary Examiner* — Eric L Goodman  
*Assistant Examiner* — Sarah L Smith

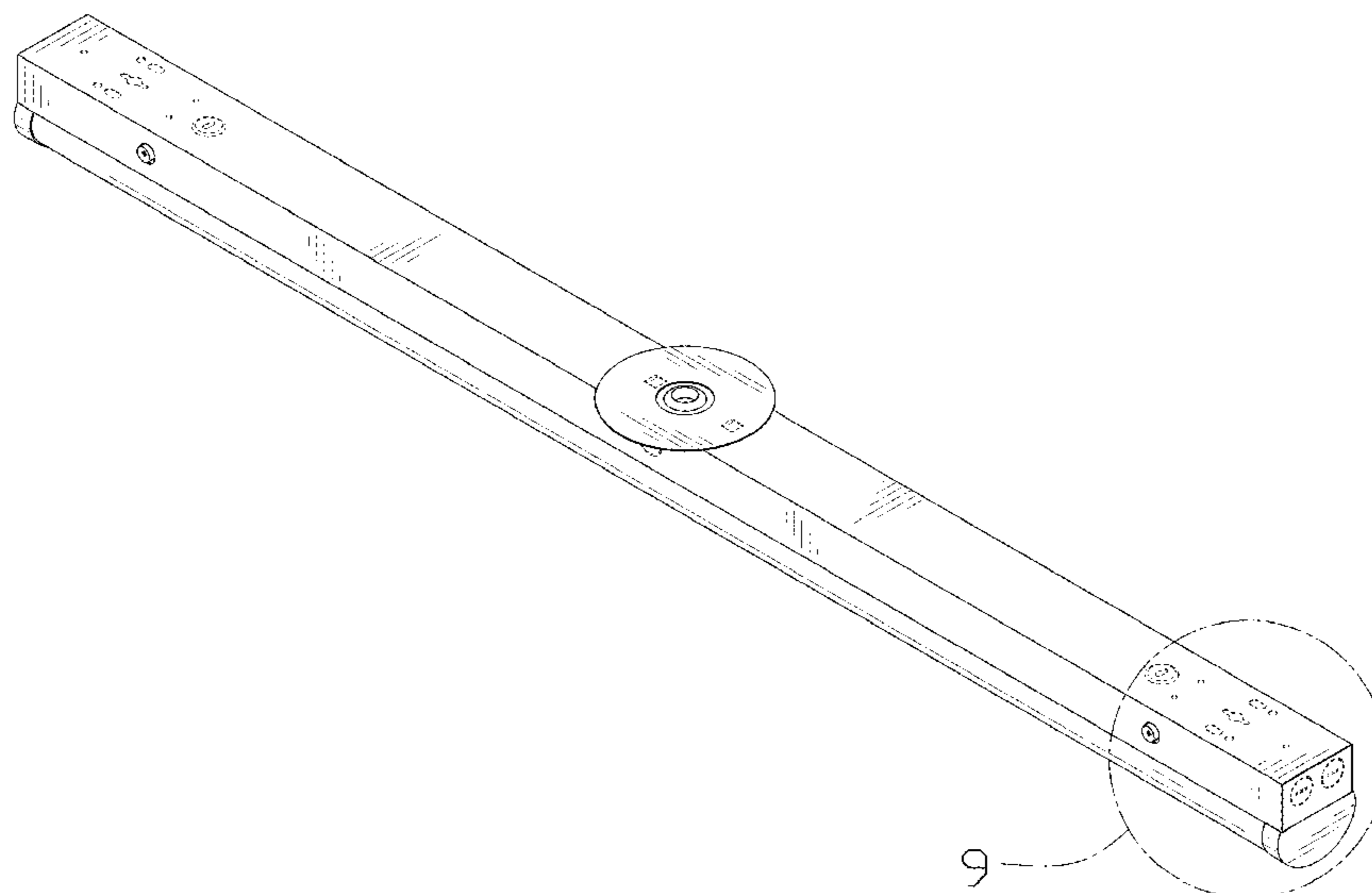
(57) **CLAIM**

The ornamental design for a strip lamp, as shown and described.

**DESCRIPTION**

FIG. 1 is a top, front and right side perspective view of a strip lamp showing our new design;  
FIG. 2 is a bottom, rear and left side perspective view thereof;  
FIG. 3 is a front elevational view thereof;  
FIG. 4 is a rear elevational view thereof;  
FIG. 5 is a left side view thereof;  
FIG. 6 is a right side view thereof;  
FIG. 7 is a top plan view thereof;  
FIG. 8 is a bottom plan view thereof; and,  
FIG. 9 is an enlarged view of portion 9 in FIG. 1.  
The broken lines in the drawings illustrate portions of the strip lamp which form no part of the claimed design.

**1 Claim, 9 Drawing Sheets**



(56)

References Cited

U.S. PATENT DOCUMENTS

D854,727 S \* 7/2019 Cole ..... D26/76  
 D862,766 S \* 10/2019 Kim ..... D26/76  
 D880,752 S \* 4/2020 Yu ..... D26/76  
 2015/0167902 A1\* 6/2015 Rodgers ..... F21V 21/005  
 362/221  
 2019/0360667 A1\* 11/2019 Patel ..... F21V 3/00

FOREIGN PATENT DOCUMENTS

CN 304422199 \* 12/2017  
 CN 305033019 \* 2/2019  
 CN 208652487 U \* 3/2019  
 CN 210891140 U \* 6/2020 ..... F21S 4/00  
 EP 3719394 A1 \* 10/2020 ..... F21S 8/04  
 MX 2018003362 A1 \* 9/2019  
 WO WO2018064807 A1 \* 10/2016 ..... F21S 2/00

OTHER PUBLICATIONS

“Barrina LED Shop Light,” May 16, 2018, amazon.com, site visited Feb. 16, 2021, URL: [https://www.amazon.com/Barrina-Daylight-Wraparound-Workshop-Workbench/dp/B07D3RNB RN/ref=sr\\_1\\_97?dchild=1&keywords=linear+ceiling+light&qid=1613512414&sr=8-97](https://www.amazon.com/Barrina-Daylight-Wraparound-Workshop-Workbench/dp/B07D3RNB RN/ref=sr_1_97?dchild=1&keywords=linear+ceiling+light&qid=1613512414&sr=8-97) (Year: 2018).\*

“Lithonia Lighting MNSL L46,” Feb. 27, 2018, amazon.com, site visited Feb. 26, 2021, URL: [https://www.amazon.com/Lithonia-Lighting-25-Watt-White-Integrated/dp/B07B44RQBJ/ref=sr\\_1\\_162?dchild=1&keywords=strip+lamp&qid=1614365215&s=hi&sr=1-162](https://www.amazon.com/Lithonia-Lighting-25-Watt-White-Integrated/dp/B07B44RQBJ/ref=sr_1_162?dchild=1&keywords=strip+lamp&qid=1614365215&s=hi&sr=1-162) (Year: 2018).\*

“40W LED Strip Light Fixture,” user manual, Sep. 18, 2019, superbrightleds.com, site visited Feb. 10, 2021, URL: [LSFD-xKx-x-3G\\_Manual.pdf](https://www.superbrightleds.com/user-manual/40w-led-strip-light-fixture/) (d114hh0cykhyb0.cloudfront.net) (Year: 2019).\*

“8FT LED Shop Light,” Jul. 9, 2019, amazon.com, site visited Feb. 26, 2021, URL: [https://www.amazon.com/Hykolity-Linkable-Fluorescent-Daylight-Commercial/dp/B07V42G3M8/ref=sr\\_1\\_24?dchild=1&keywords=strip+lamp&qid=1614364035&s=hi&sr=1-24](https://www.amazon.com/Hykolity-Linkable-Fluorescent-Daylight-Commercial/dp/B07V42G3M8/ref=sr_1_24?dchild=1&keywords=strip+lamp&qid=1614364035&s=hi&sr=1-24) (Year: 2019).\*

\* cited by examiner

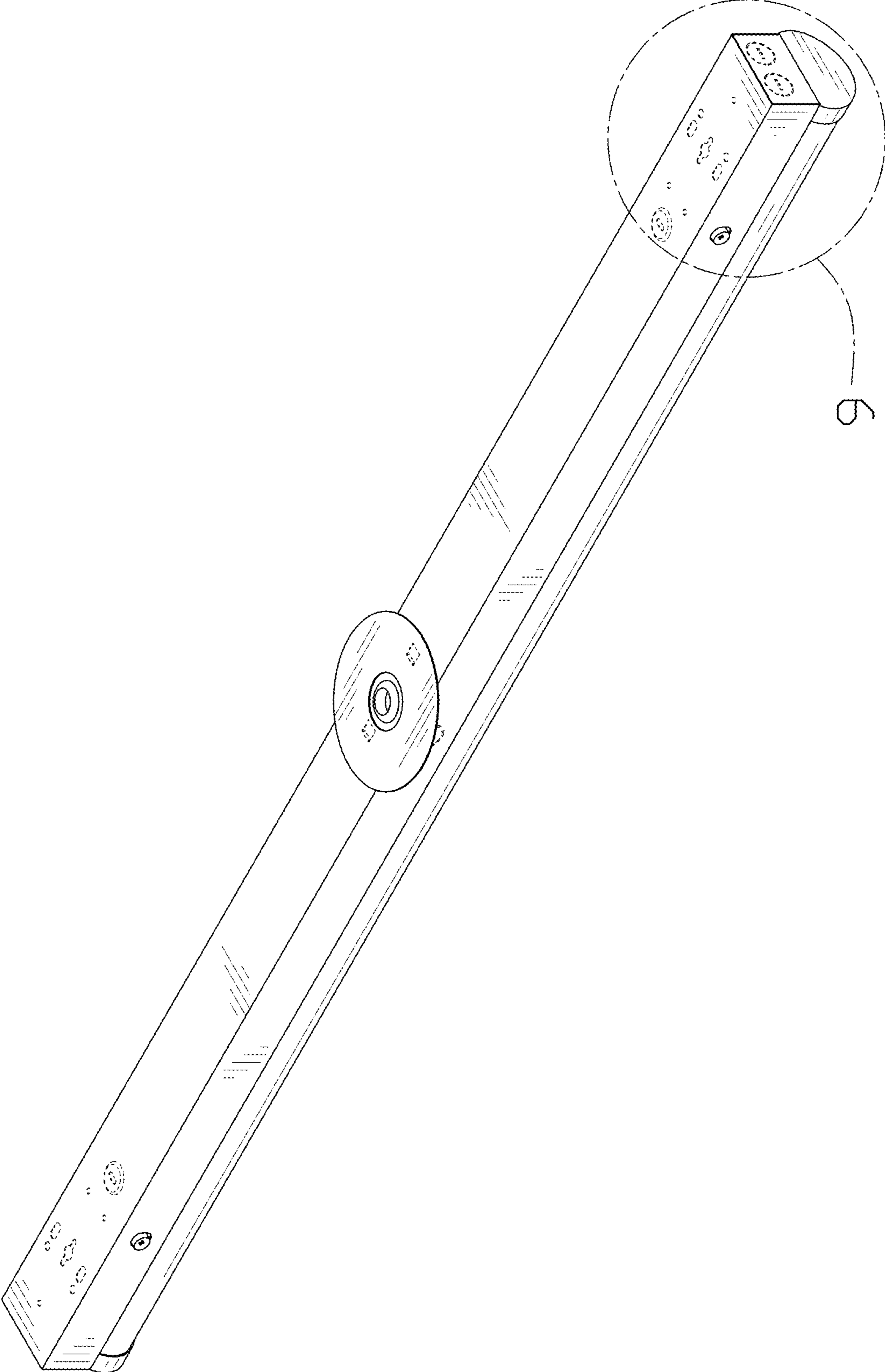


FIG. 1

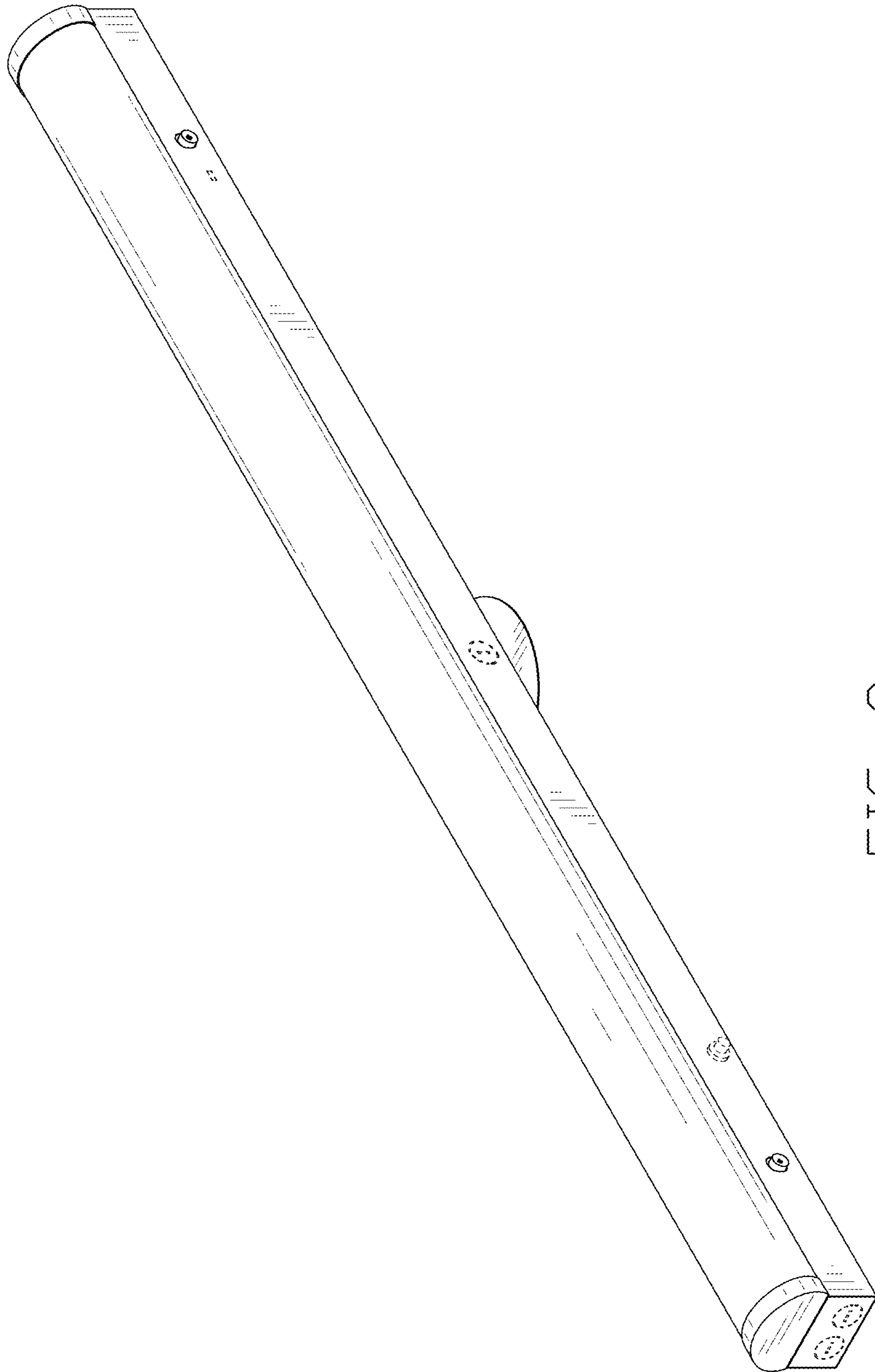


FIG. 2

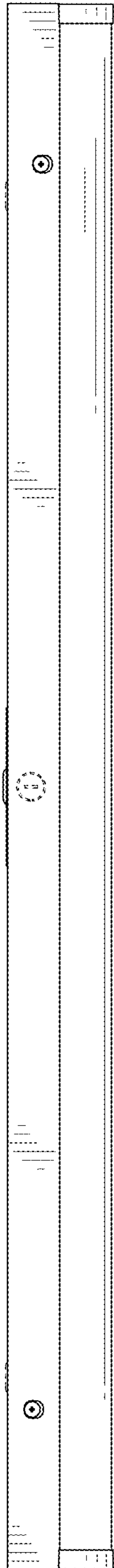


FIG. 3

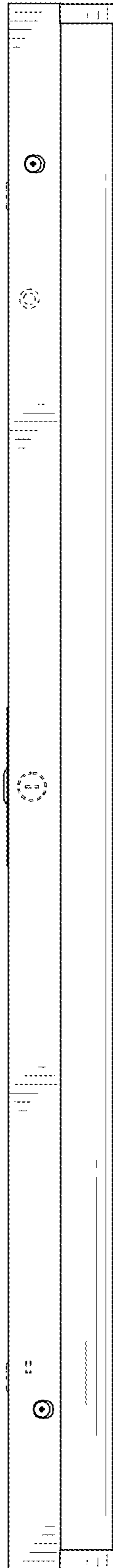


FIG. 4



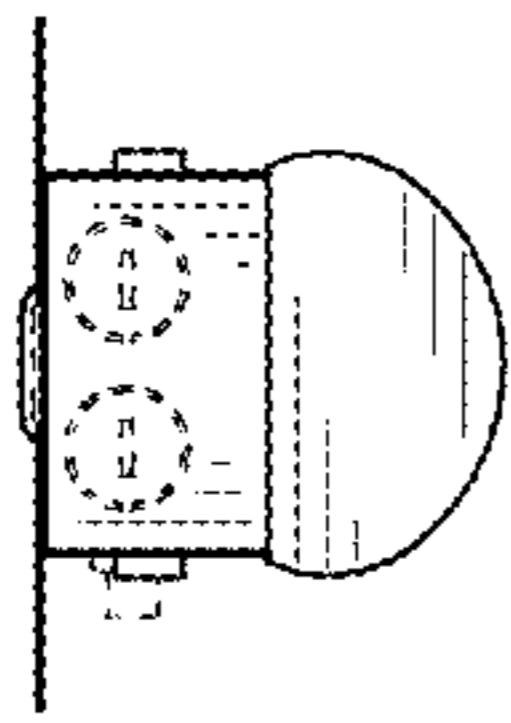


FIG. 5

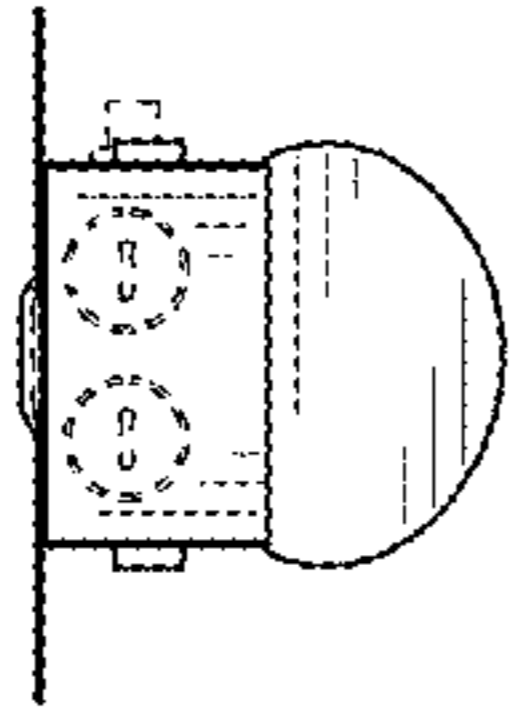


FIG. 6



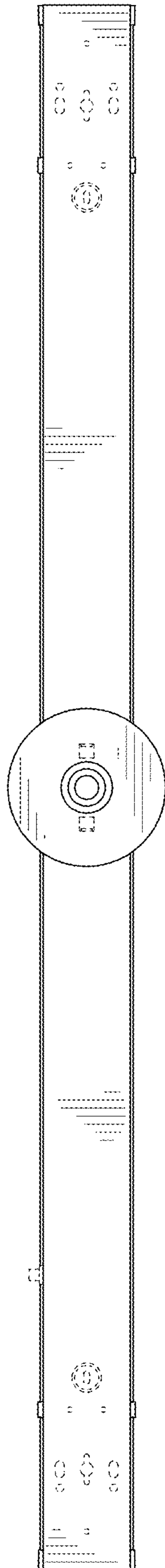


FIG. 7

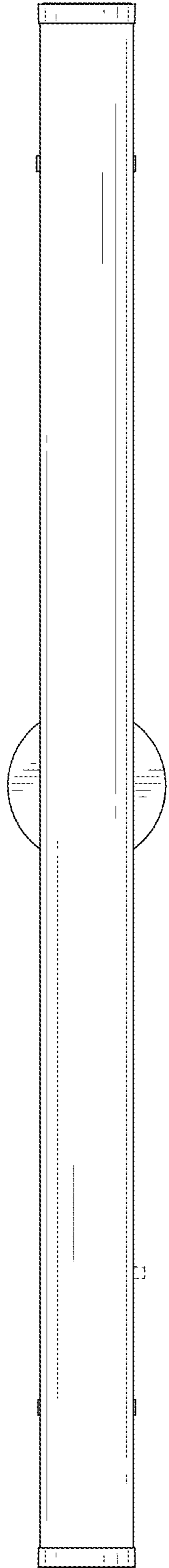


FIG. 8

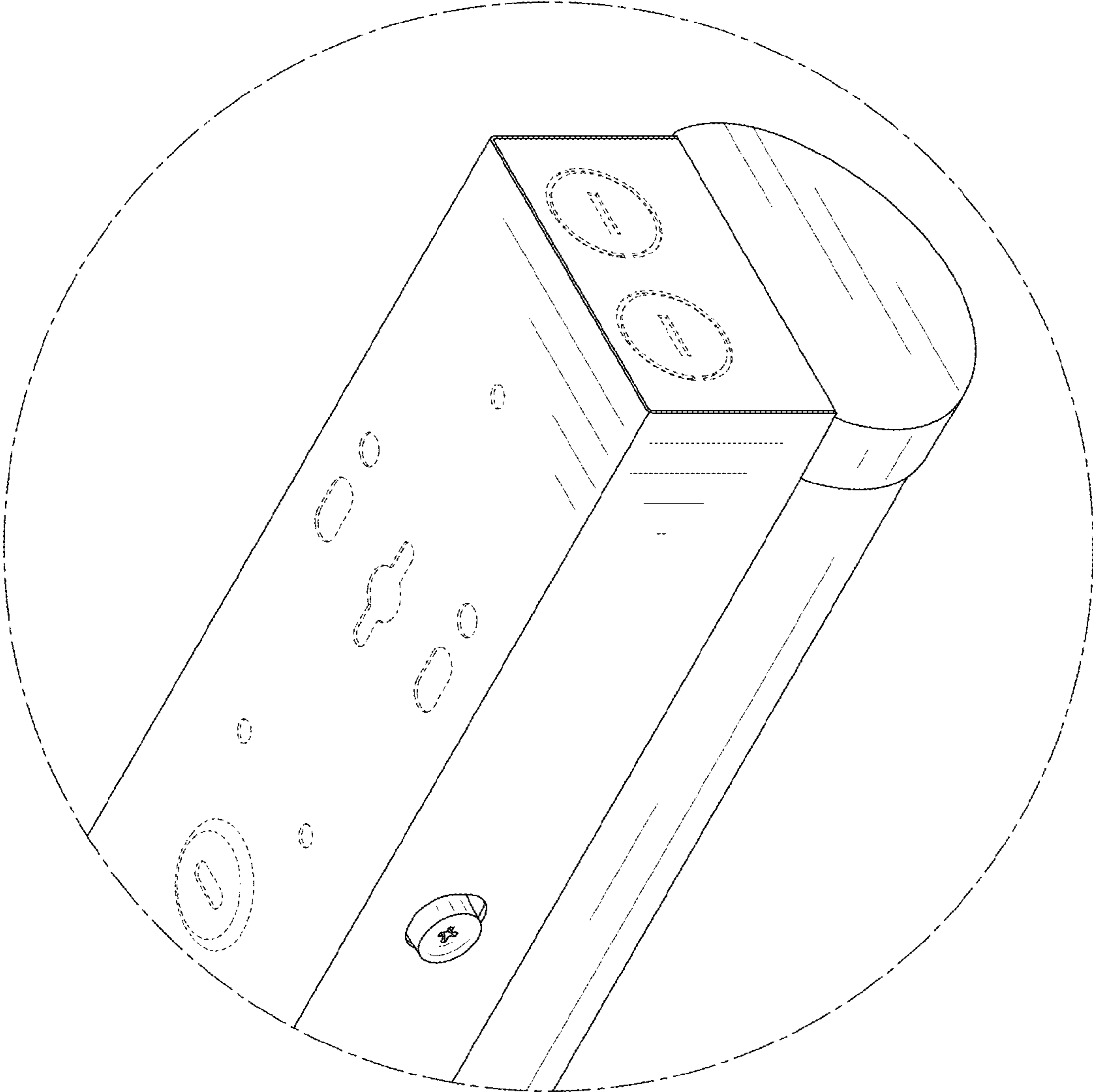


FIG. 9