



US00D921271S

(12) **United States Design Patent** (10) **Patent No.:** **US D921,271 S**
Ghasabi (45) **Date of Patent:** **** Jun. 1, 2021**

(54) **LIGHT FIXTURE**
(71) Applicant: **Luminiz Inc.**, Etobicoke (CA)
(72) Inventor: **Amir Ghasabi**, Etobicoke (CA)
(73) Assignee: **Luminiz Inc.**, Etobicoke (CA)
(**) Term: **15 Years**

D487,724 S 3/2004 Hsiao
D493,245 S * 7/2004 Delson D26/78
7,192,160 B2 3/2007 Reiff, Jr. et al.
D556,359 S 11/2007 Cunius
D569,027 S * 5/2008 Hakamada D26/76
7,513,640 B2 4/2009 Hendrikus
D604,870 S 11/2009 Hong
D605,338 S 12/2009 Salman
7,810,955 B2 10/2010 Stimac et al.
(Continued)

(21) Appl. No.: **29/702,678**
(22) Filed: **Aug. 21, 2019**

Related U.S. Application Data

(62) Division of application No. 29/650,879, filed on Jun. 11, 2018, now Pat. No. Des. 875,997.

Foreign Application Priority Data

Mar. 26, 2018 (CA) CA 180537

(51) **LOC (13) Cl.** **26-05**
(52) **U.S. Cl.**
USPC **D26/76**

(58) **Field of Classification Search**
USPC D26/24, 63, 72, 75, 76, 80, 84, 88, 89, D26/113
CPC F21S 8/00; F21S 8/02; F21S 8/04; F21S 8/024; F21S 8/08; F21V 21/00; F21V 21/041; F21V 29/00; F21V 29/51
See application file for complete search history.

(56) **References Cited**

U.S. PATENT DOCUMENTS

D188,419 S 7/1960 Danesi
D205,302 S * 7/1966 Wince D26/76
4,674,015 A * 6/1987 Smith F21V 23/02
174/DIG. 2
D460,049 S 7/2002 McCoy
D472,523 S 4/2003 Hansen

OTHER PUBLICATIONS

Restriction Requirement and Notice of References Cited dated Jun. 28, 2019 in corresponding Design U.S. Appl. No. 29/650,879.
(Continued)

Primary Examiner — Zenia I Bennett
(74) *Attorney, Agent, or Firm* — Bereskin & Parr LLP/S.E.N.C.R.L, s.r.l.; Isis E. Caulder; Ahmed Elmallah

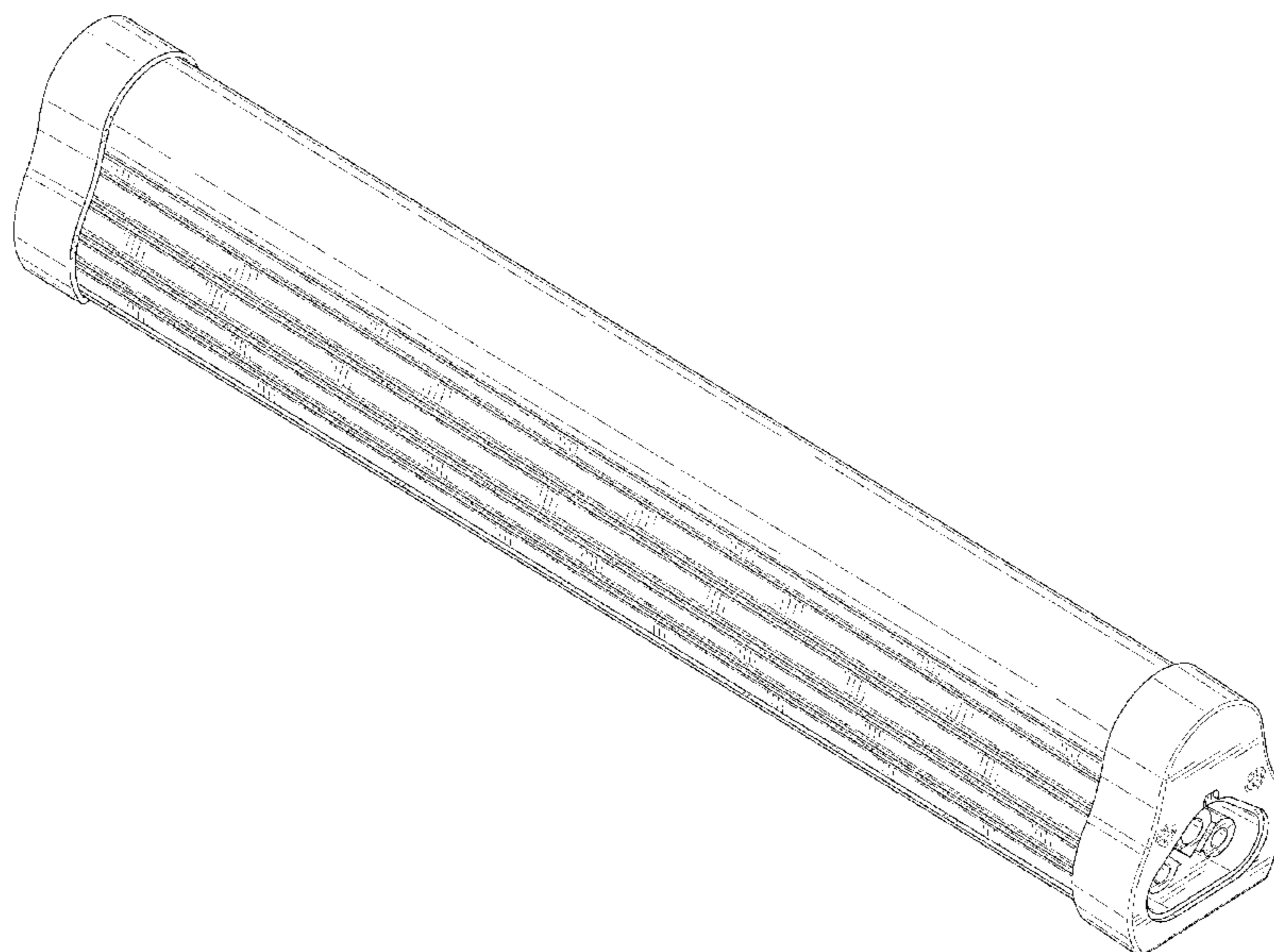
(57) **CLAIM**

The ornamental design for a light fixture, as shown and described.

DESCRIPTION

FIG. 1 shows a top right perspective view of the light fixture. FIG. 2 shows a top left perspective view of the design of FIG. 1. FIG. 3 shows a front side elevation view of the design of FIG. 1. FIG. 4 shows a right side elevation view of the design of FIG. 1. FIG. 5 shows a rear side elevation view of the design of FIG. 1. FIG. 6 shows a left side elevation view of the design of FIG. 1. FIG. 7 shows a top plan view of the design of FIG. 1; and, FIG. 8 shows a bottom plan view of the design of FIG. 1.

1 Claim, 4 Drawing Sheets



(56)

References Cited

U.S. PATENT DOCUMENTS

D627,730 S 11/2010 Huang et al.
 D627,731 S 11/2010 Huang et al.
 D629,139 S 12/2010 Cai
 D639,744 S 6/2011 Smith et al.
 8,142,047 B2 3/2012 Acampora et al.
 D678,202 S 3/2013 Corona
 D690,452 S * 9/2013 Payne D26/80
 D691,090 S 10/2013 Dachs
 D695,443 S * 12/2013 Kaule D26/76
 D697,030 S 1/2014 Ledinger et al.
 D702,642 S 4/2014 Dachs, II
 D703,140 S 4/2014 Dachs, II
 D707,181 S 6/2014 Schmidt et al.
 9,004,716 B2 4/2015 Ai
 D729,423 S * 5/2015 Noh D26/24
 D748,058 S 1/2016 Corona
 D764,092 S 8/2016 Cai et al.
 D770,386 S 11/2016 Corona
 D770,981 S 11/2016 Corona
 D782,095 S 3/2017 Fletcher
 D818,967 S 5/2018 Rippe et al.
 D835,586 S 12/2018 Lambrecht
 10,352,510 B2 7/2019 Van Winkle
 D858,453 S 9/2019 Lang et al.

D866,846 S 11/2019 Cho et al.
 10,547,145 B2 1/2020 Bowen et al.
 2003/0021110 A1* 1/2003 Noh F21V 21/005
 362/217.08
 2003/0036312 A1 2/2003 Liao
 2004/0152354 A1 8/2004 Luther et al.
 2014/0247585 A1 9/2014 Chien et al.

OTHER PUBLICATIONS

Ex parte Quayle Office Action and Notice of References Cited dated Oct. 6, 2020 in Divisional Design U.S. Appl. No. 29/702,685 (5 pages).
 Ex parte Quayle Office Action and Notice of References Cited dated Oct. 2, 2020 in Divisional Design U.S. Appl. No. 29/702,695 (5 pages).
 ETi, "White Linking Cord Connector for LED Linkable Shoplights and Strip Light Fixtures", Home Depot Product Authority, LLC, oldest review: Jul. 2017 <<https://www.homedepot.com/p/ETi-White-Linking-Cord-Connector-for-LED-Linkable-Shoplights-and-Strip-Light-Fixtures-91000010/300959787>>.
 Ex parte Quayle Office Action and Notice of References Cited dated Oct. 2, 2020 in Divisional Design U.S. Appl. No. 29/703,038 (5 pages).

* cited by examiner

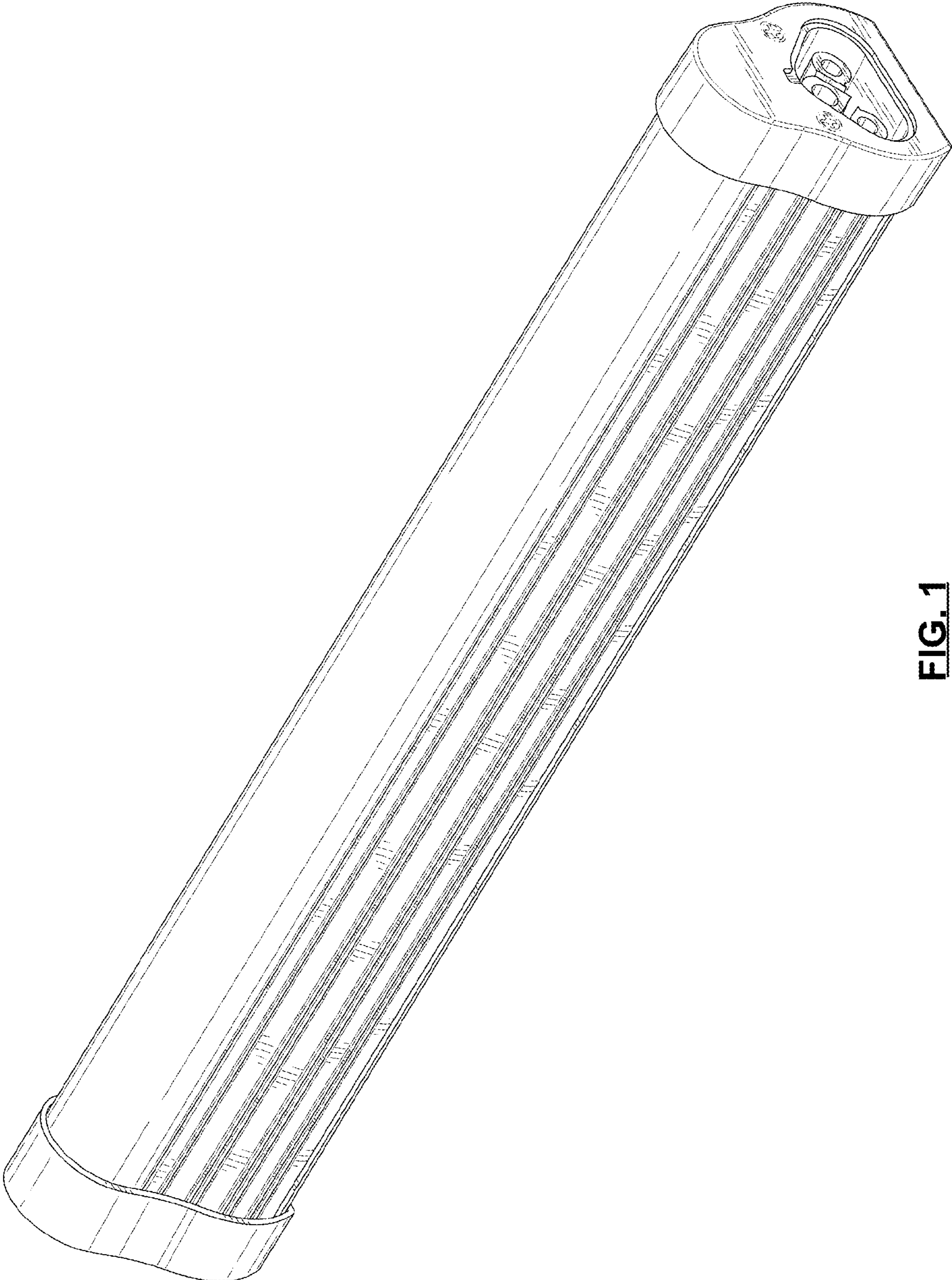


FIG. 1

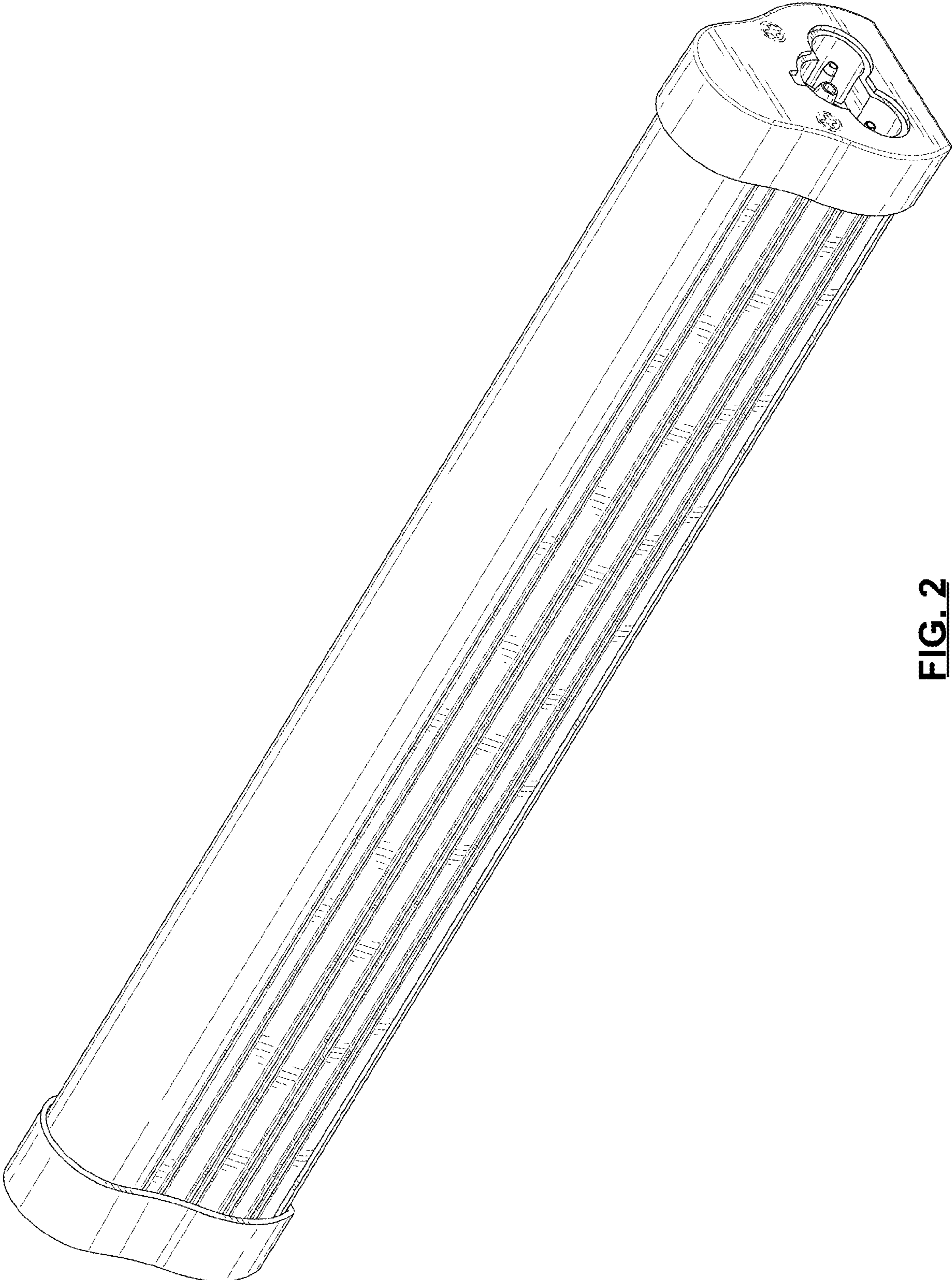


FIG. 2

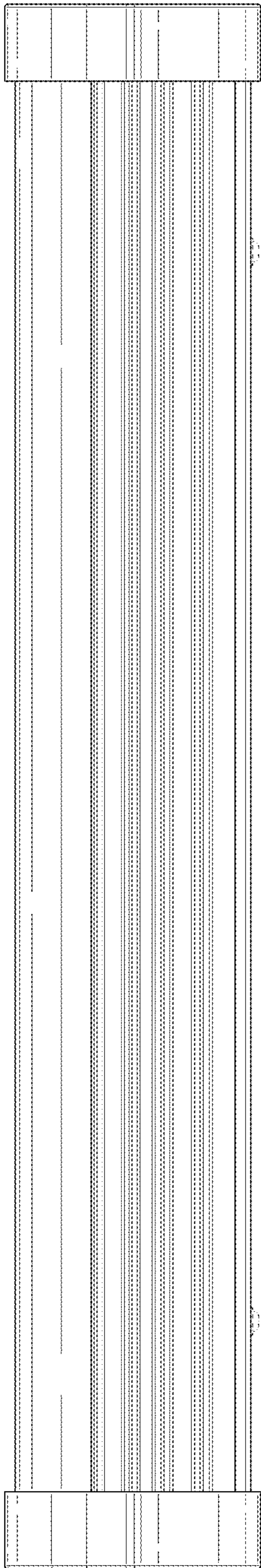


FIG. 3

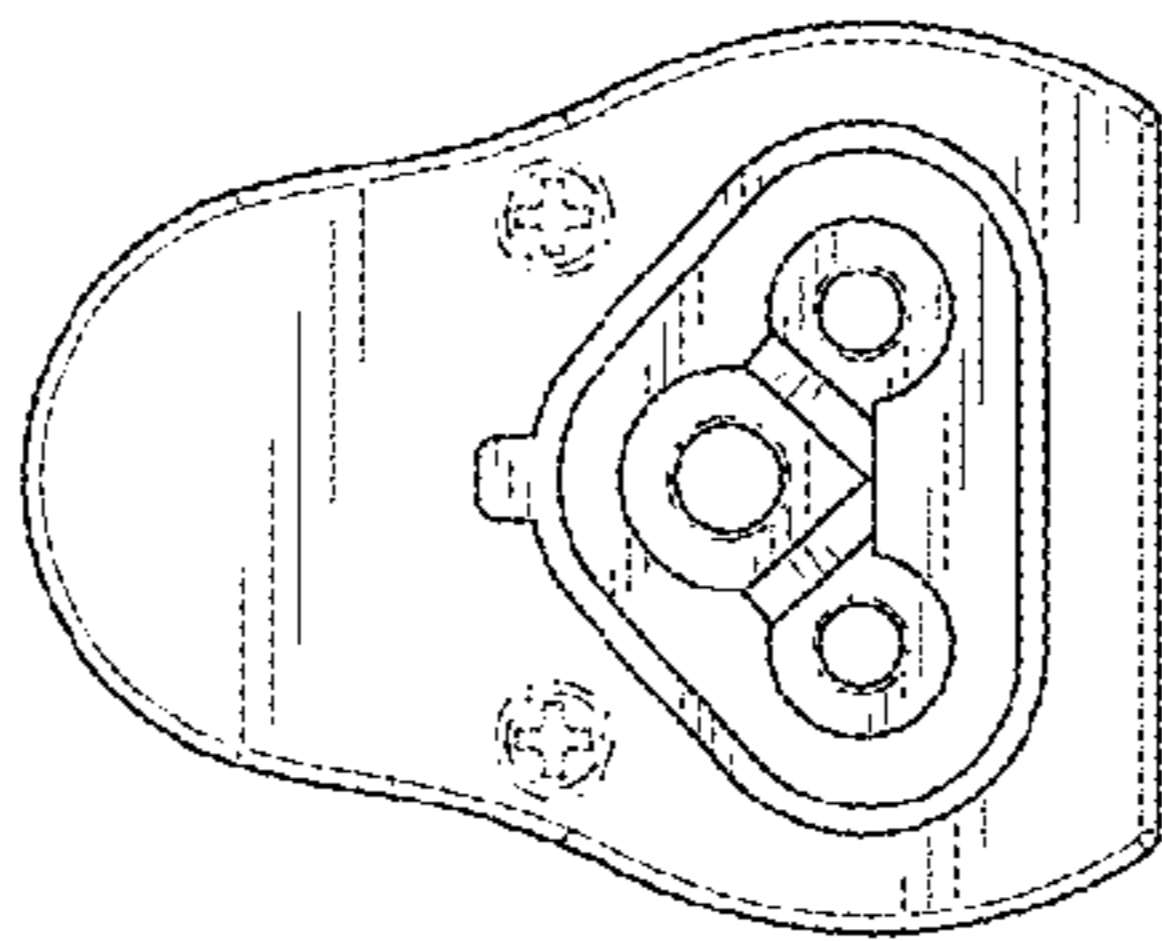


FIG. 4

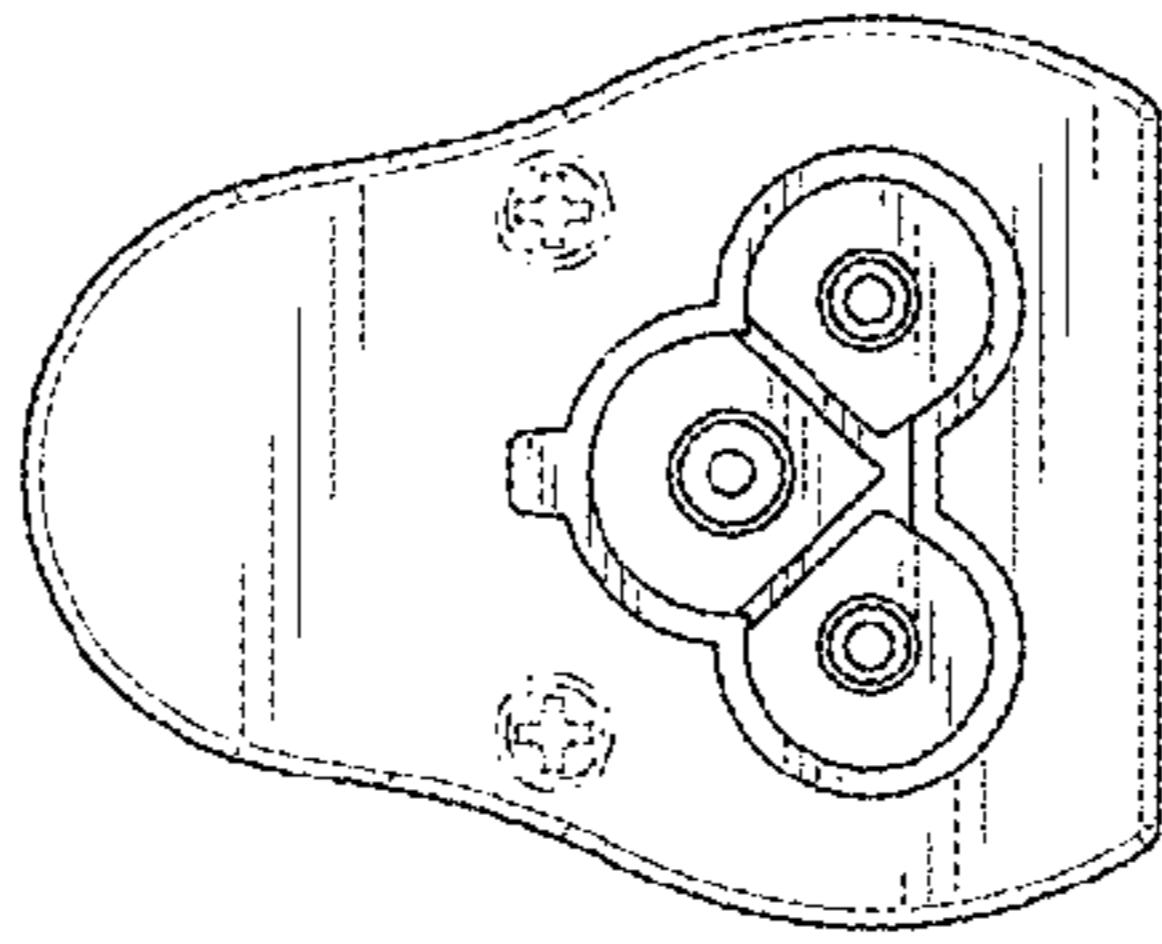


FIG. 6

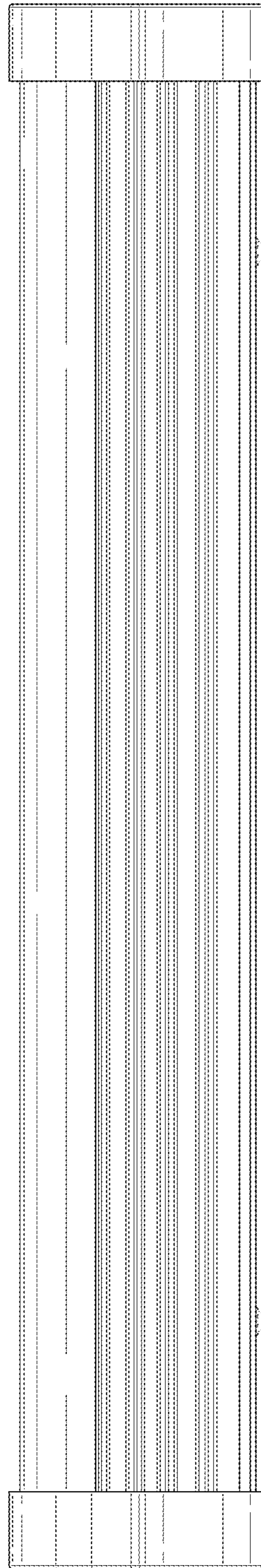


FIG. 5

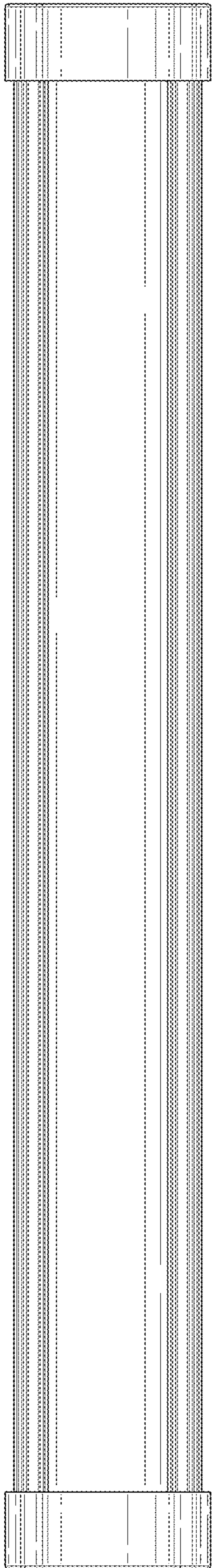


FIG. 7

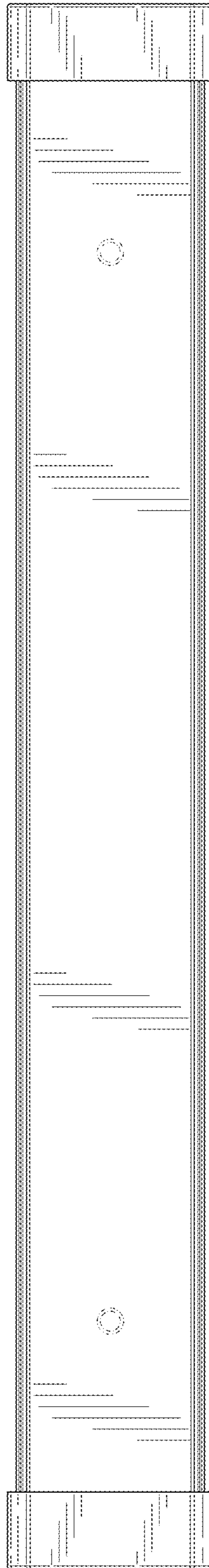


FIG. 8