



US00D921270S

(12) **United States Design Patent**
Amin

(10) **Patent No.:** **US D921,270 S**
(45) **Date of Patent:** **** Jun. 1, 2021**

(54) **LUMINAIRE**

(71) Applicant: **Hubbell Incorporated**, Shelton, CT
(US)

(72) Inventor: **Gaurav Amin**, Simpsonville, SC (US)

(73) Assignee: **Hubbell Incorporated**, Shelton, CT
(US)

(**) Term: **15 Years**

(21) Appl. No.: **29/640,740**

(22) Filed: **Mar. 16, 2018**

(51) **LOC (13) Cl.** **26-04**

(52) **U.S. Cl.**
USPC **D26/76**

(58) **Field of Classification Search**
USPC D26/76, 78, 79, 80, 81, 82, 83, 85, 86,
D26/88, 90, 113, 118, 119, 120, 121, 122,
D26/138, 139, 140, 141, 142, 152
CPC F21S 2/00; F21S 4/00; F21S 4/003; F21S
4/005; F21S 4/006; F21S 4/007; F21S
4/008; F21S 6/00; F21S 8/00; F21S
8/024; F21S 8/026; F21S 8/031; F21S
8/033; F21S 8/035-037; F21S 8/04; F21S
8/043; F21S 8/063

See application file for complete search history.

(56) **References Cited**

U.S. PATENT DOCUMENTS

7,665,862	B2	2/2010	Villard	
8,113,687	B2	2/2012	Villard	
D663,882	S *	7/2012	Muraishi	D26/76
D703,858	S *	4/2014	Miller	D26/76
D721,198	S *	1/2015	Glasbrenner	D26/76
D744,690	S *	12/2015	Boyer	D26/76
D747,529	S *	1/2016	Yoon	D26/74
D749,768	S *	2/2016	Snell	D26/76

D757,327	S *	5/2016	Reynolds	D26/77
D762,322	S *	7/2016	Scribante	D26/90
D774,234	S *	12/2016	Plourde	D26/76
9,644,828	B1	5/2017	May	
D791,999	S *	7/2017	Hargreaves	D26/76
D799,102	S *	10/2017	Tweel	D26/118
D809,701	S *	2/2018	Tweel	D26/118
D819,861	S *	6/2018	Scribante	D26/76
D819,862	S *	6/2018	Deng	D26/76
D819,875	S *	6/2018	Yorio	D26/118
D822,885	S *	7/2018	Tweel	D26/118
D877,964	S *	3/2020	Antony	D26/118

(Continued)

Primary Examiner — Natasha Vujcic

(74) *Attorney, Agent, or Firm* — Michael Best & Friedrich, LLP

(57) **CLAIM**

I claim the ornamental design for a luminaire, as shown and described.

DESCRIPTION

FIG. 1 is a first perspective view of a luminaire according to a new design.

FIG. 2 is a second perspective view of the luminaire of FIG. 1.

FIG. 3 is a first end view of the luminaire of FIG. 1.

FIG. 4 is a second end view of the luminaire of FIG. 1.

FIG. 5 is a first side elevation view of the luminaire of FIG. 1.

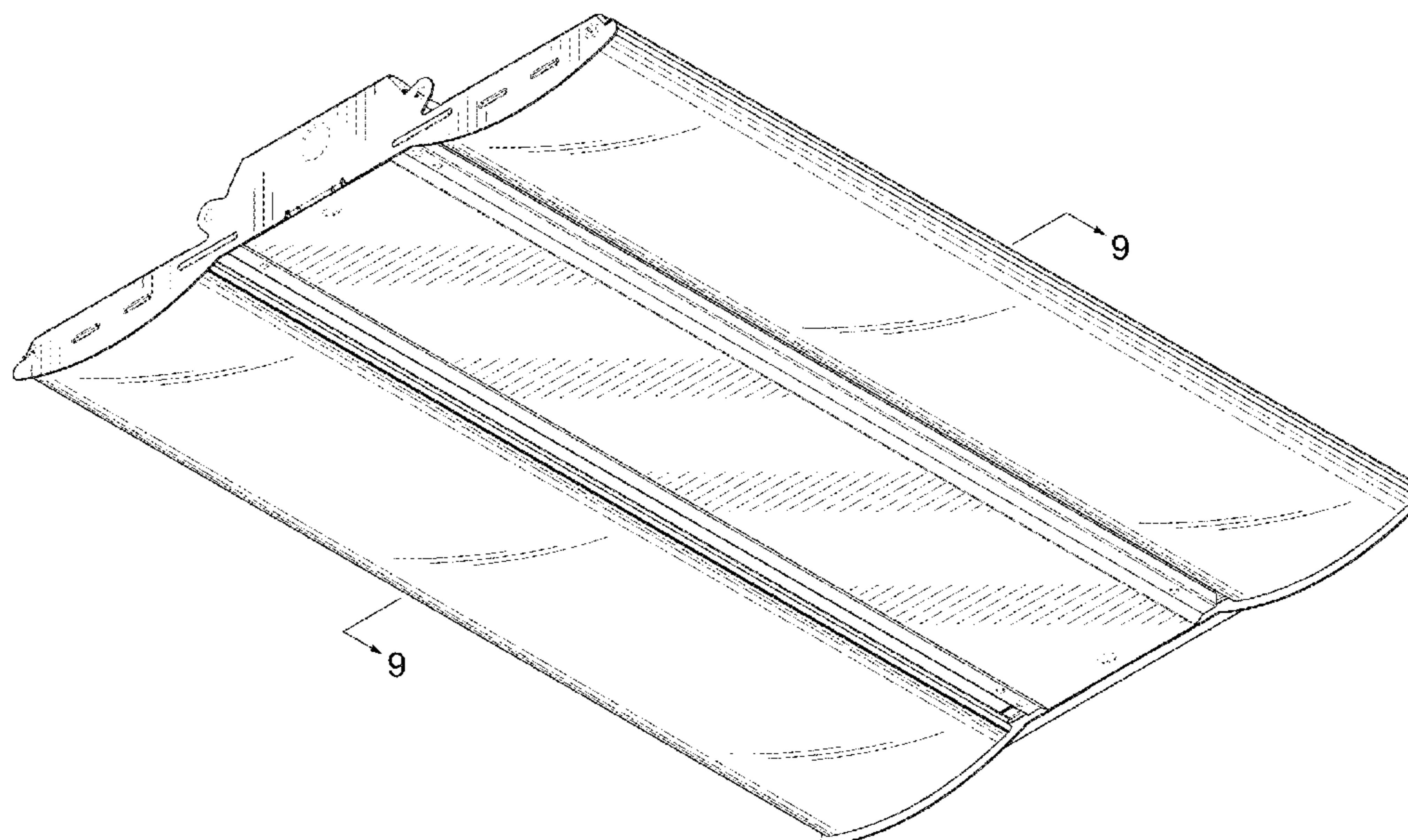
FIG. 6 is a second side elevation view of the luminaire of FIG. 1.

FIG. 7 is a top plan view of the luminaire of FIG. 1.

FIG. 8 is a bottom plan view of the luminaire of FIG. 1; and, FIG. 9 is a section view of the luminaire of FIG. 1, viewed along section 9-9.

The elements shown in broken lines are included for the purpose of illustrating portions of the luminaire that form no part of the claimed design.

1 Claim, 7 Drawing Sheets



(56)

References Cited

U.S. PATENT DOCUMENTS

2010/0296285 A1 11/2010 Chemel
2016/0366746 A1 9/2016 Van De Ven

* cited by examiner

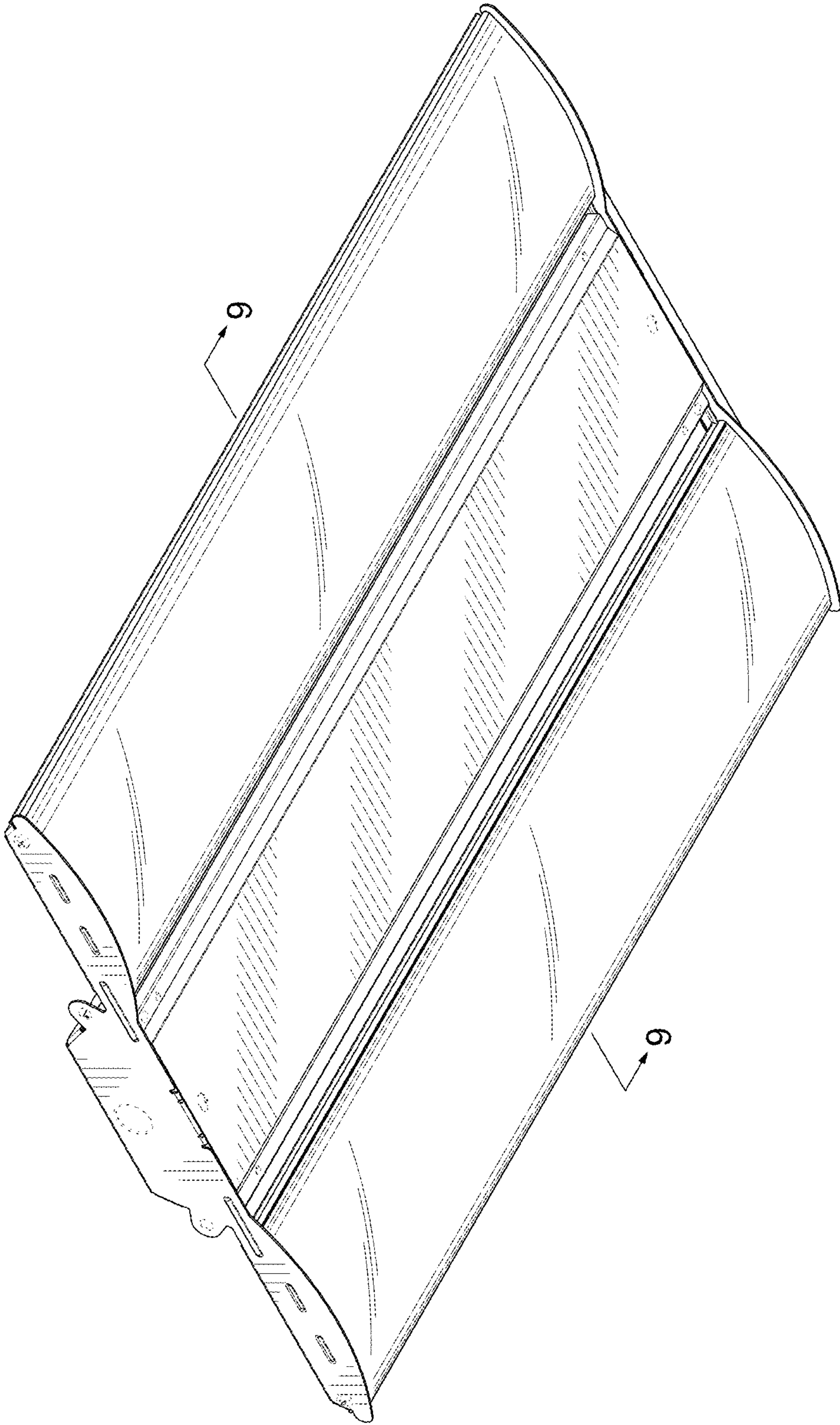


FIG. 1

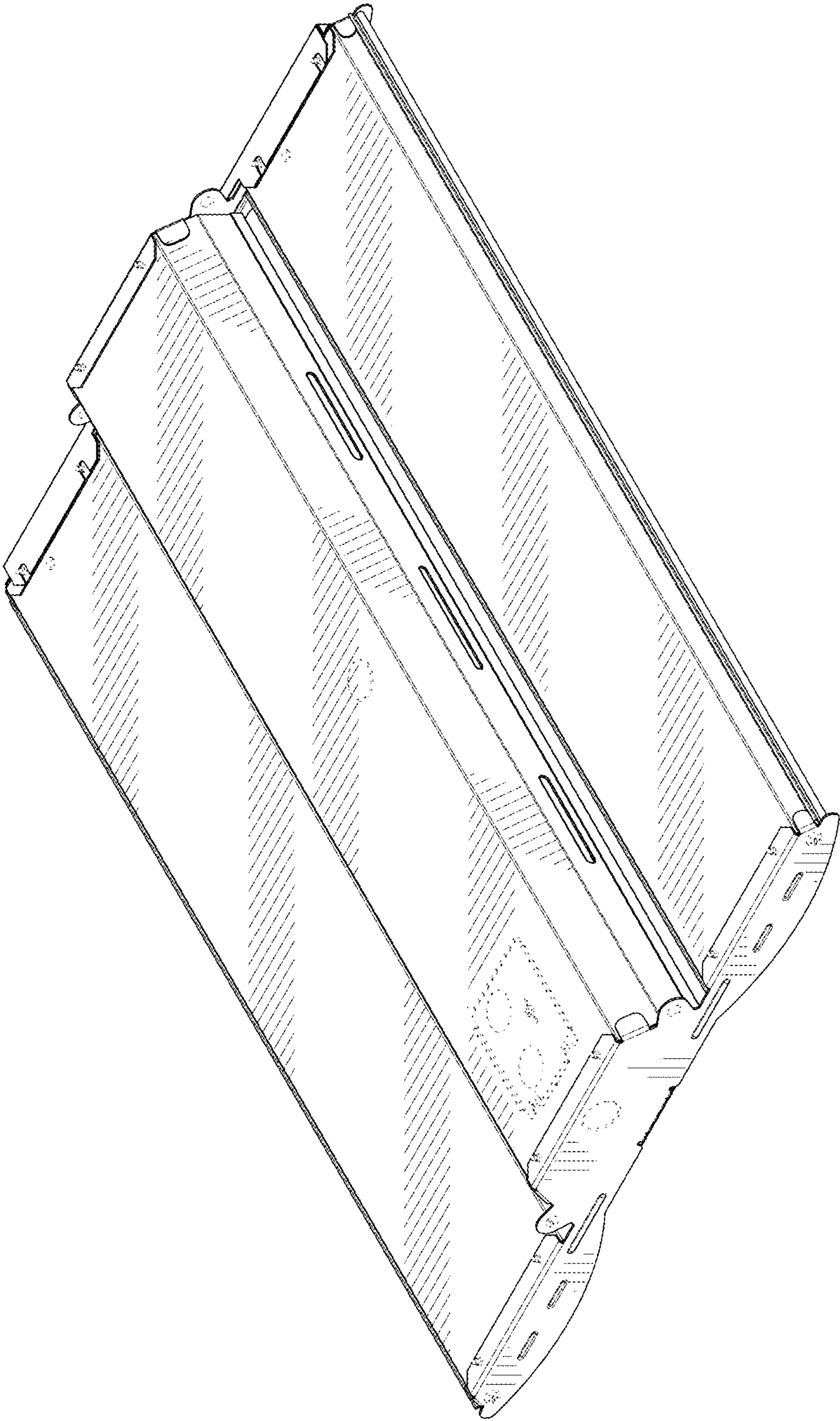


FIG. 2

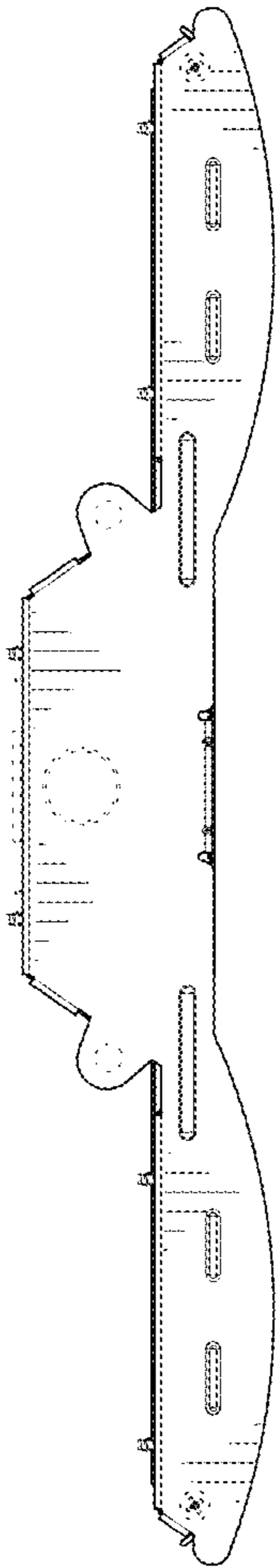


FIG. 3

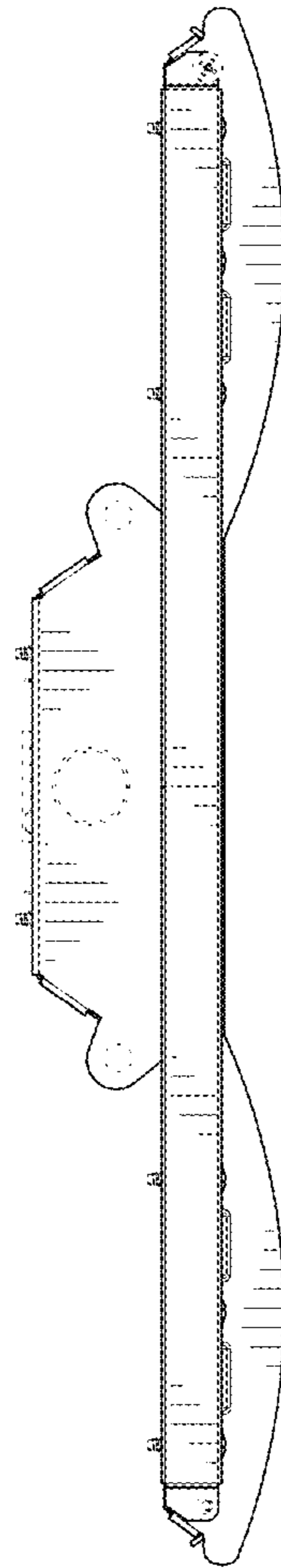


FIG. 4

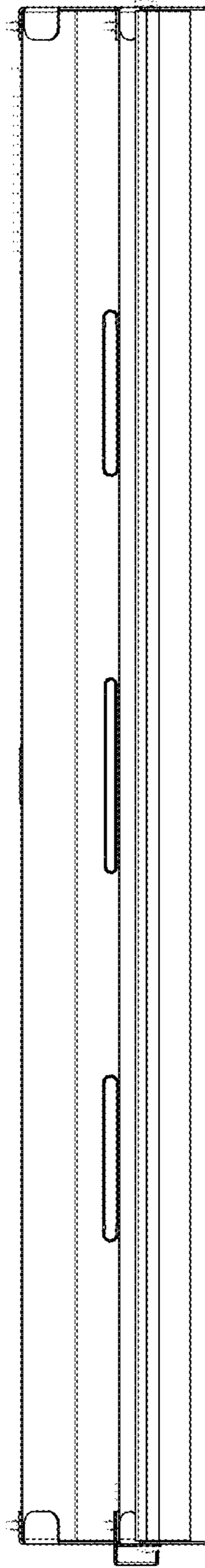


FIG. 5

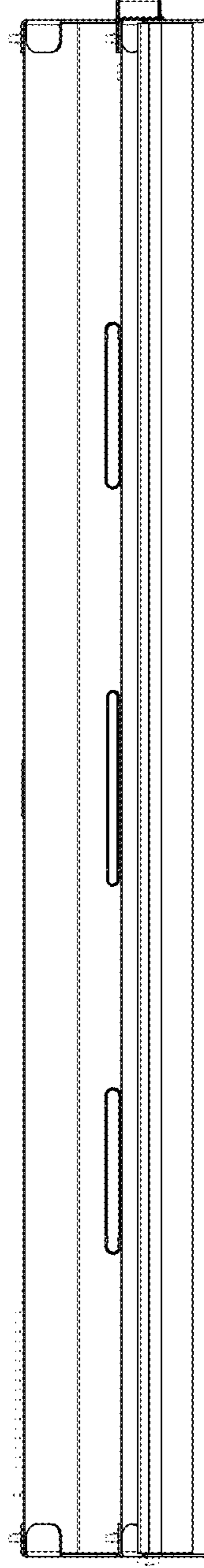


FIG. 6

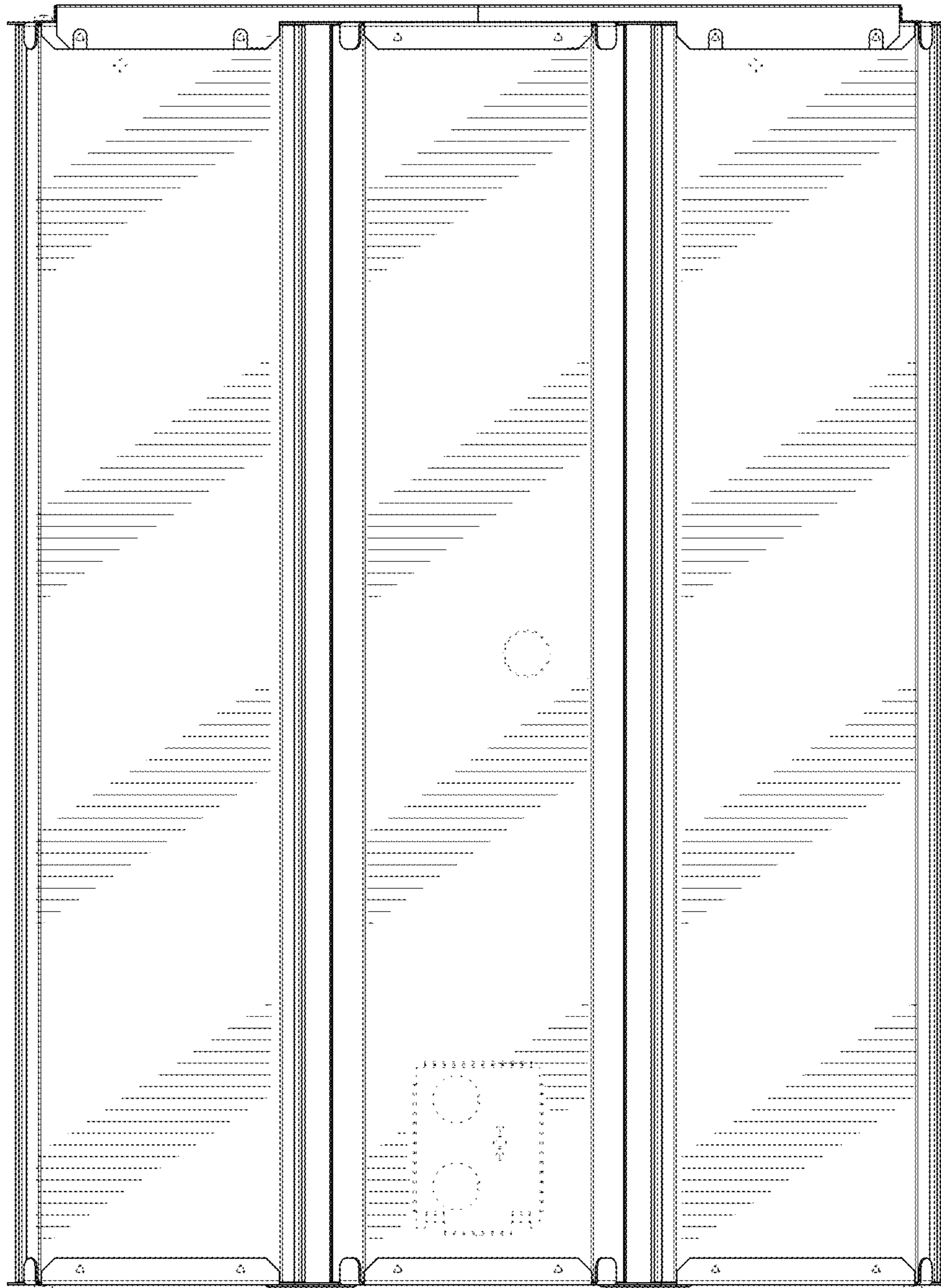


FIG. 7

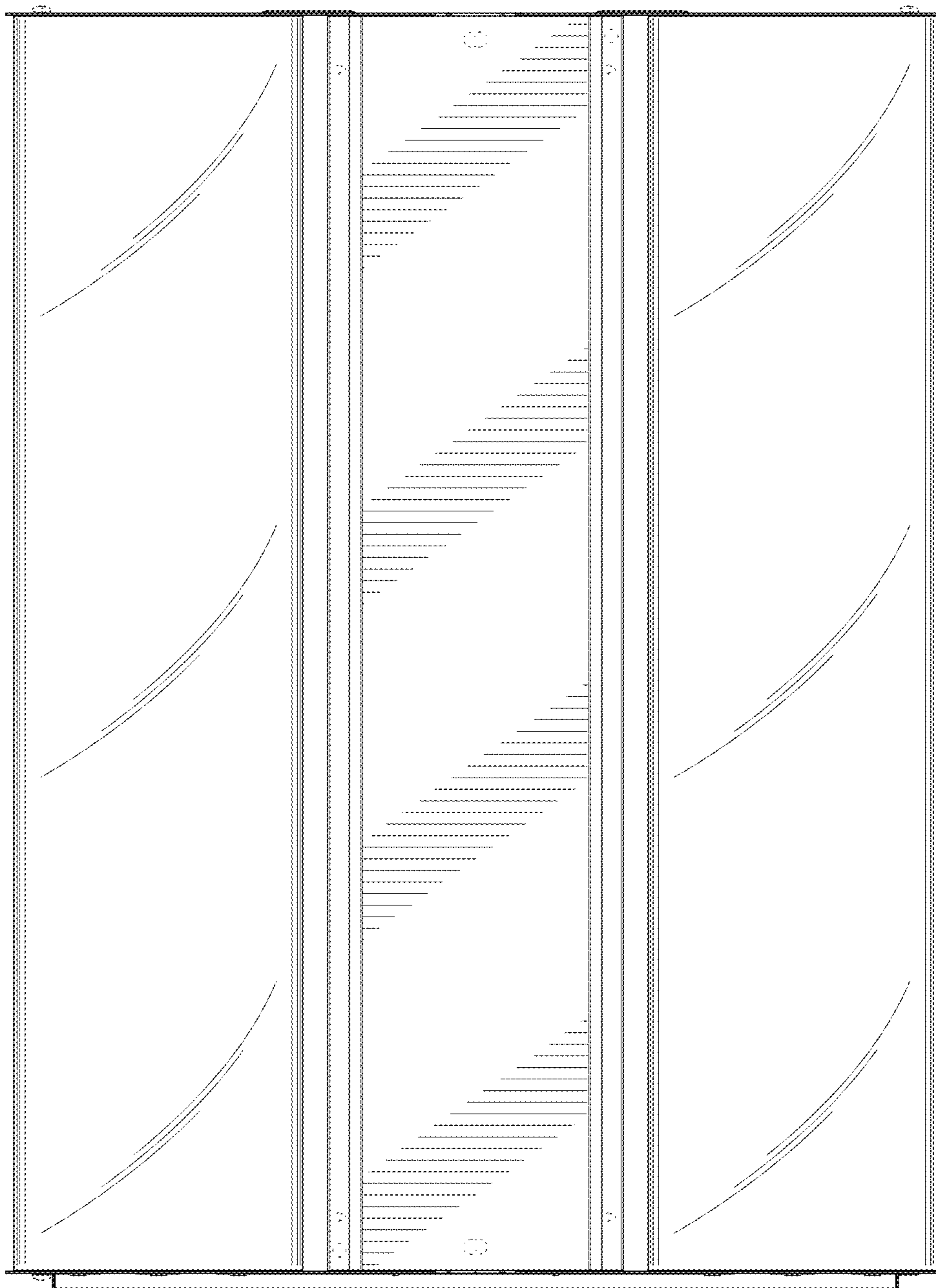


FIG. 8

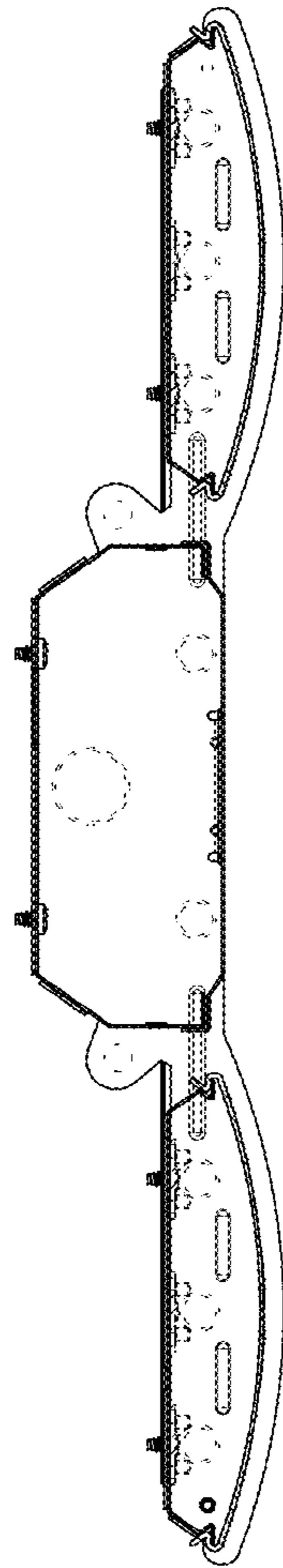


FIG. 9