



US00D921268S

(12) **United States Design Patent** (10) **Patent No.:** **US D921,268 S**  
**Dabiet et al.** (45) **Date of Patent:** **\*\* Jun. 1, 2021**

(54) **LIGHTING FIXTURE**

(71) Applicant: **ALLANSON LIGHTING TECHNOLOGIES INC.**, Markham (CA)

(72) Inventors: **Faiek Dabiet**, Toronto (CA); **Wayne Lee**, Toronto (CA); **Mahsa Ajilian**, Toronto (CA); **Horea Trifu**, Toronto (CA)

(73) Assignee: **ALLANSON LIGHTING TECHNOLOGIES INC.**, Markham (CA)

(\*\*) Term: **15 Years**

(21) Appl. No.: **29/682,963**

(22) Filed: **Mar. 8, 2019**

**Related U.S. Application Data**

(63) Continuation of application No. 29/621,077, filed on Oct. 4, 2017, now Pat. No. Des. 850,695, which is a (Continued)

(51) **LOC (13) Cl.** ..... **26-05**

(52) **U.S. Cl.**  
USPC ..... **D26/74**

(58) **Field of Classification Search**

USPC ..... D26/74, 72, 75, 76, 77, 78, 85, 88, 89, D26/118, 138, 141; 362/364, 365, 373, 362/145, 146, 147, 148, 150, 153, 153.1, 362/294, 296.01, 296.07, 296.08

CPC ..... F21V 29/2262; F21V 7/06; F21V 21/044; F21V 21/047; F21V 29/2212; F21V 29/2225; F21V 29/2256; F21V 29/225; (Continued)

(56) **References Cited**

**U.S. PATENT DOCUMENTS**

D326,537 S \* 5/1992 Gattari ..... D26/74  
D326,729 S \* 6/1992 Gattari ..... D26/74

(Continued)

**OTHER PUBLICATIONS**

Examiner's Report dated Jul. 16, 2015 from CA 2,663,852, 4 pgs.  
Examiner's Report dated Apr. 11, 2016 from CA 2,663,852, 2 pgs.  
Examiner's Report dated Jan. 30, 2017 from CA 2,663,852, 4 pgs.

*Primary Examiner* — Angela J Lee

(74) *Attorney, Agent, or Firm* — V. Graham Honsa; Wilson Lue LLP

(57) **CLAIM**

The ornamental design for a lighting fixture, as shown and described.

**DESCRIPTION**

FIG. 1 illustrates a bottom left perspective view of a lighting fixture;

FIG. 2 illustrates an exploded bottom left perspective view of the lighting fixture with a housing and a lighting portion shown disassembled;

FIG. 3 illustrates a top rear perspective view of the lighting fixture taken from above an unclaimed panel when the lighting fixture is installed;

FIG. 4 illustrates a front right view of the lighting fixture when installed in the unclaimed panel of FIG. 3, the front left view being a mirror image of FIG. 4;

FIG. 5 illustrates a top left perspective view of the housing of the lighting fixture, the top right view being a mirror image of FIG. 5;

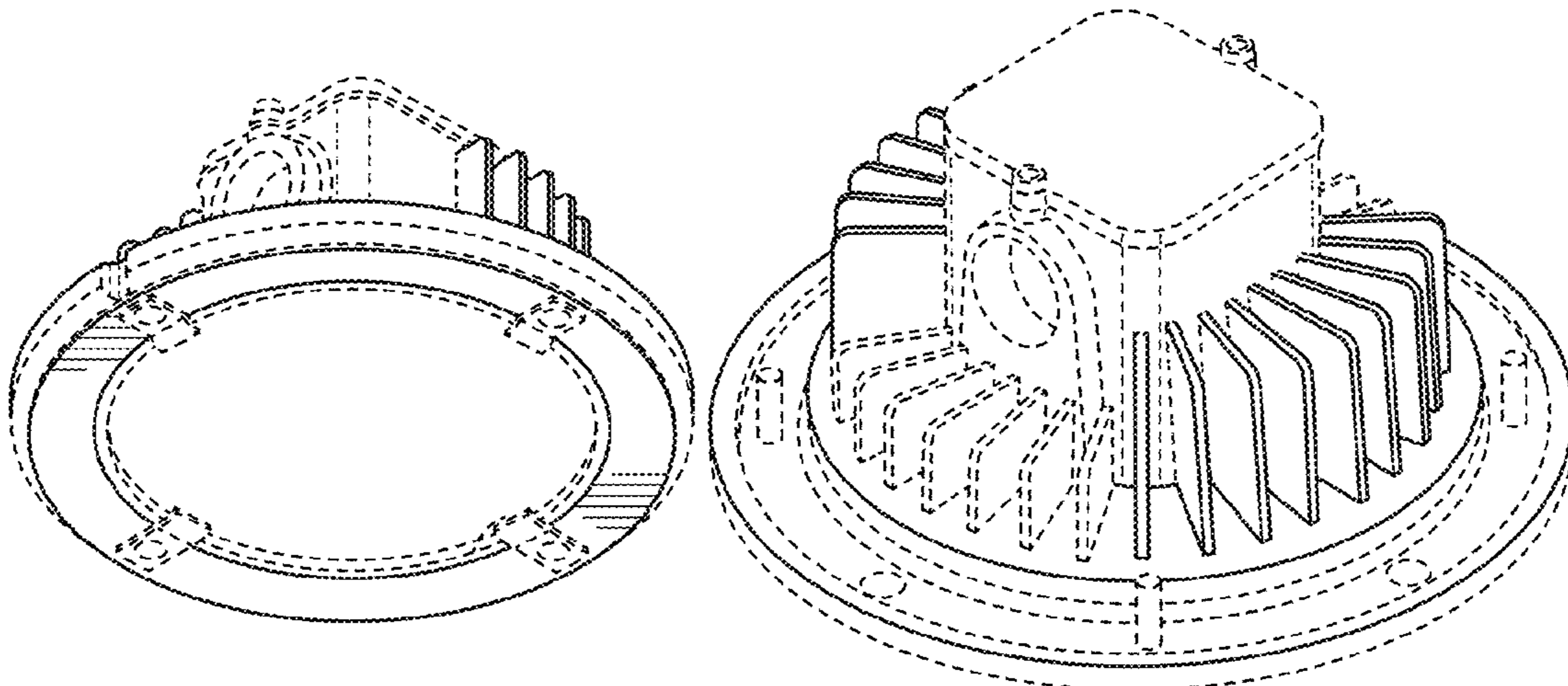
FIG. 6 illustrates a top view of the lighting portion shown separately for clarity of illustration;

FIG. 7 illustrates a side view thereof; and,

FIG. 8 illustrates a bottom view thereof.

The shade lines in the drawings show contour and transparency, and not ornamentation. The broken lines show portions of the lighting fixture and environment and do not form part of the claimed design.

**1 Claim, 3 Drawing Sheets**



**Related U.S. Application Data**

continuation of application No. 12/696,614, filed on  
Jan. 29, 2010, now Pat. No. 9,797,562.

(58) **Field of Classification Search**

CPC ... F21V 29/2268; F21Y 2111/002; F21S 8/02;  
F21S 8/026

See application file for complete search history.

(56) **References Cited**

U.S. PATENT DOCUMENTS

6,290,382	B1	9/2001	Bourn et al.	
D714,989	S *	10/2014	Rowlette, Jr. ....	D26/74
D768,325	S *	10/2016	Xu .....	D26/74
D777,967	S *	1/2017	Redfern .....	D26/74
D786,474	S *	5/2017	Fujisawa .....	D26/74
D790,102	S *	6/2017	Guzzini .....	D26/74
D850,695	S *	6/2019	Dabiet .....	F21S 8/02 D26/74
D855,860	S *	8/2019	Peng .....	D26/74
D874,045	S *	1/2020	Rashidi Doust .....	D26/74
D887,064	S *	6/2020	Speier .....	D26/74
D887,065	S *	6/2020	Speier .....	D26/74
2006/0198129	A1	9/2006	Hagen	
2006/0262544	A1	11/2006	Piepgras et al.	
2006/0262545	A1	11/2006	Piepgras et al.	
2007/0230186	A1	10/2007	Chien	
2008/0180961	A1	7/2008	Gibson et al.	
2010/0061097	A1	3/2010	Krogman	

\* cited by examiner

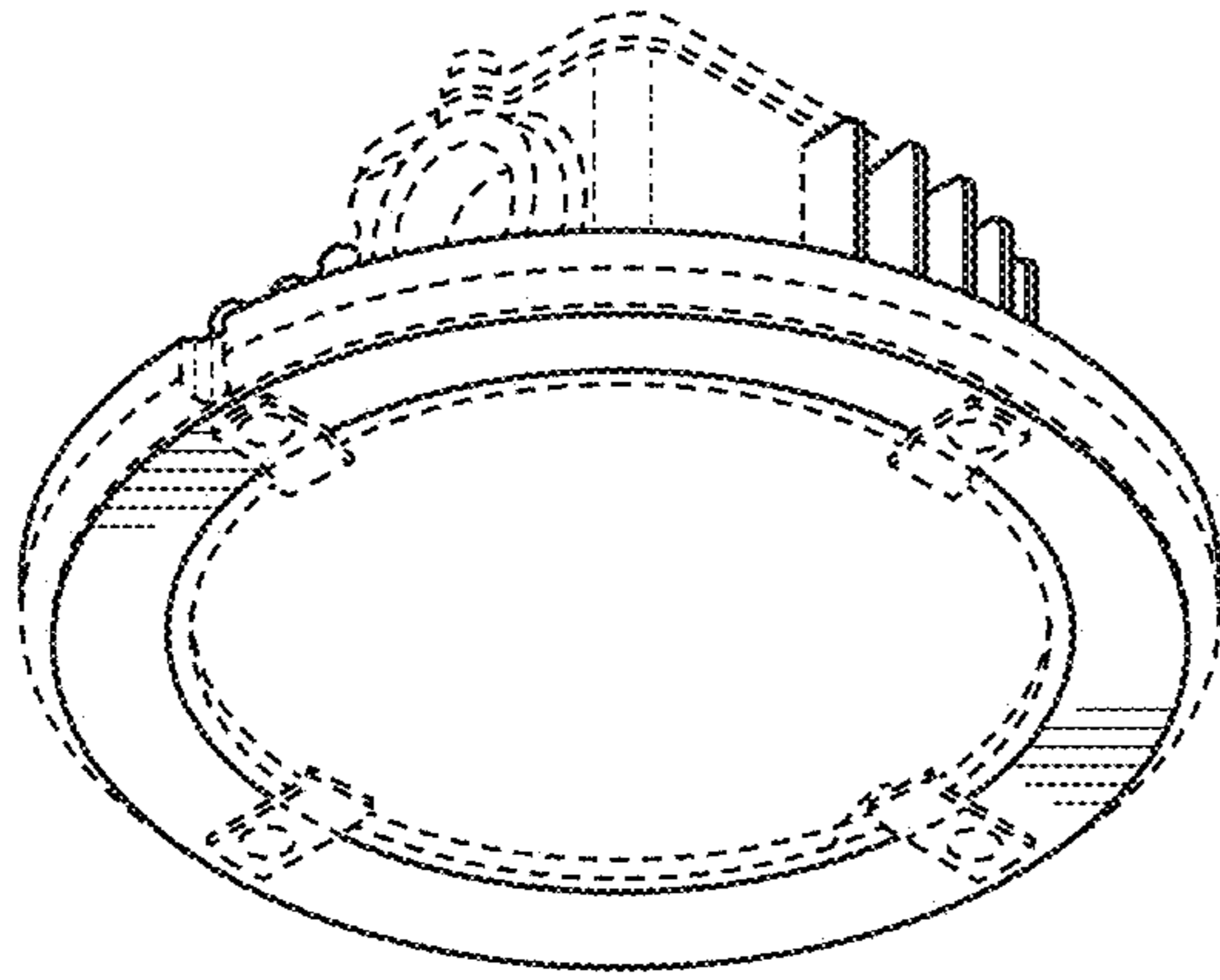


FIG. 1

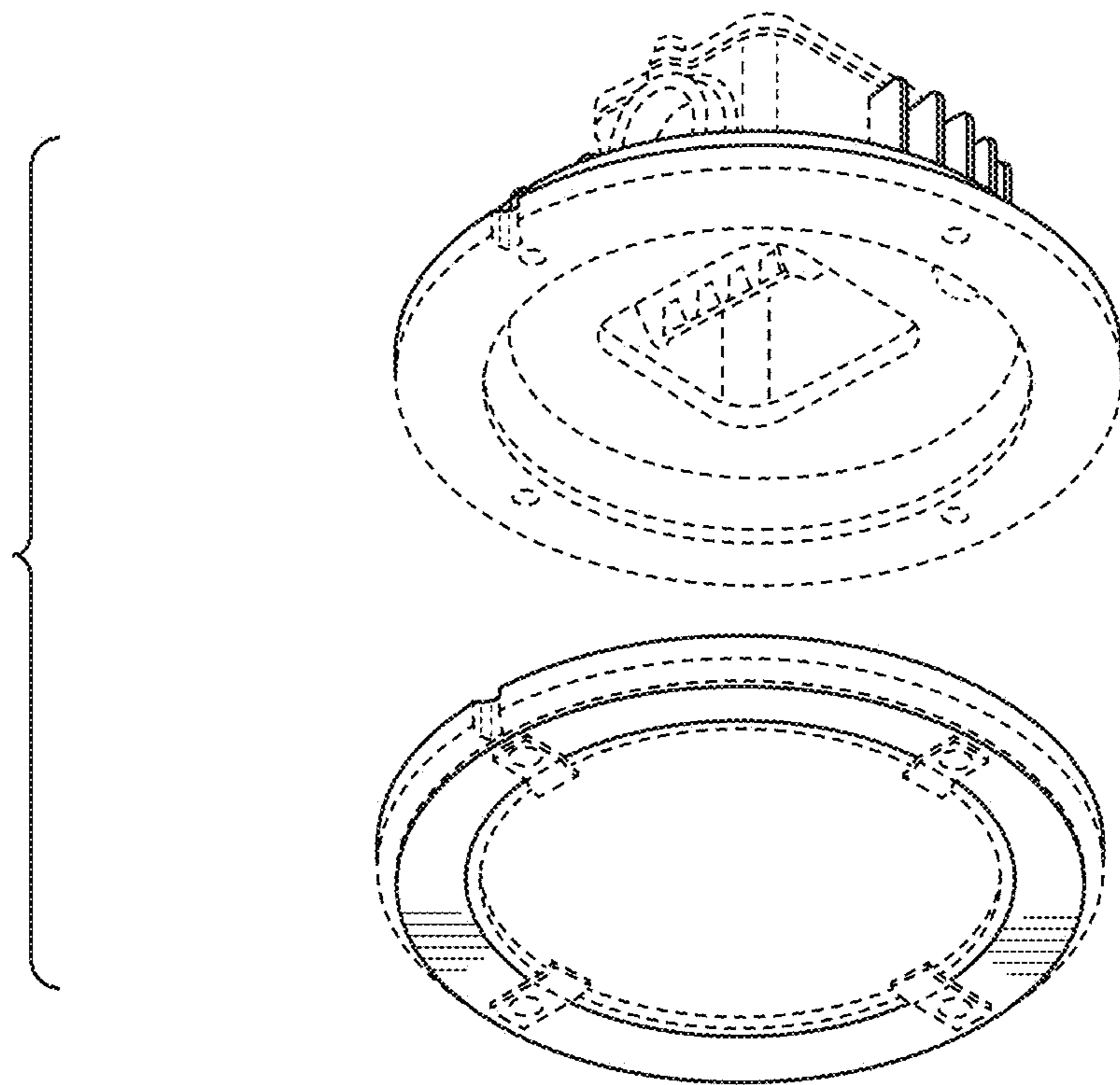


FIG. 2



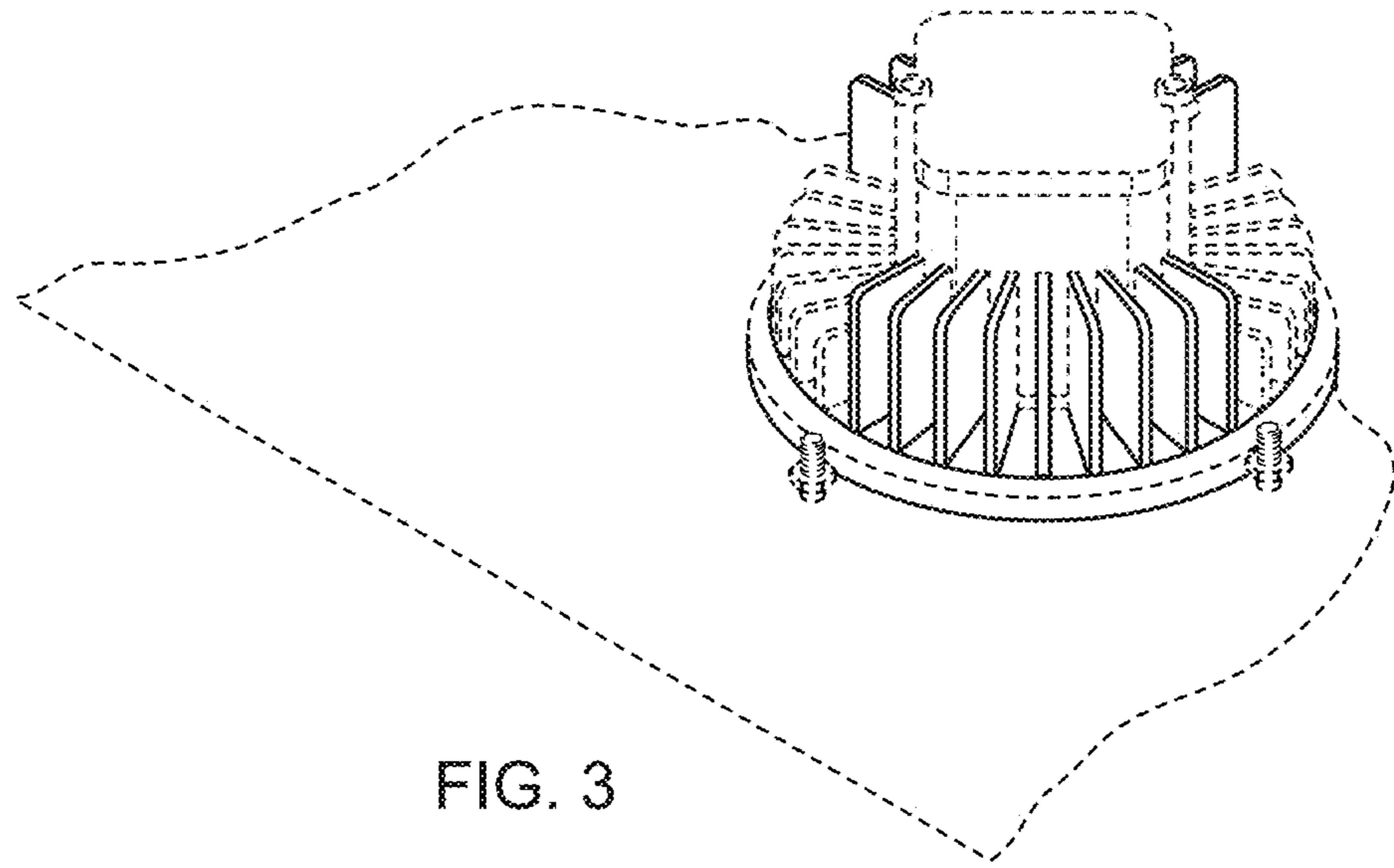


FIG. 3

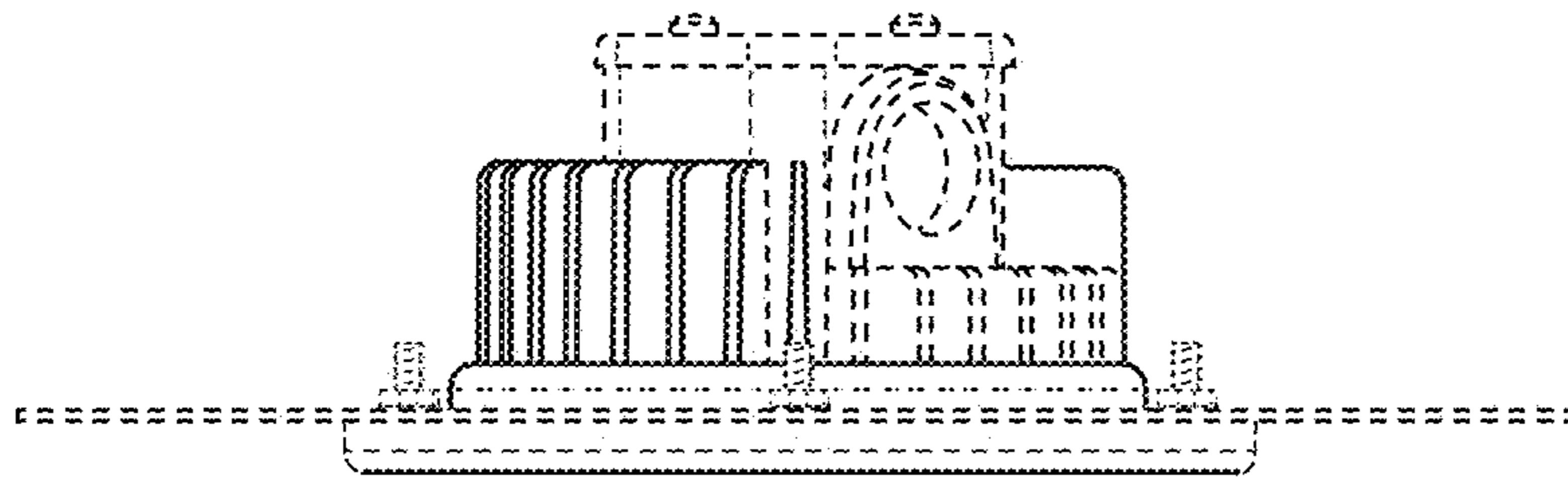


FIG. 4

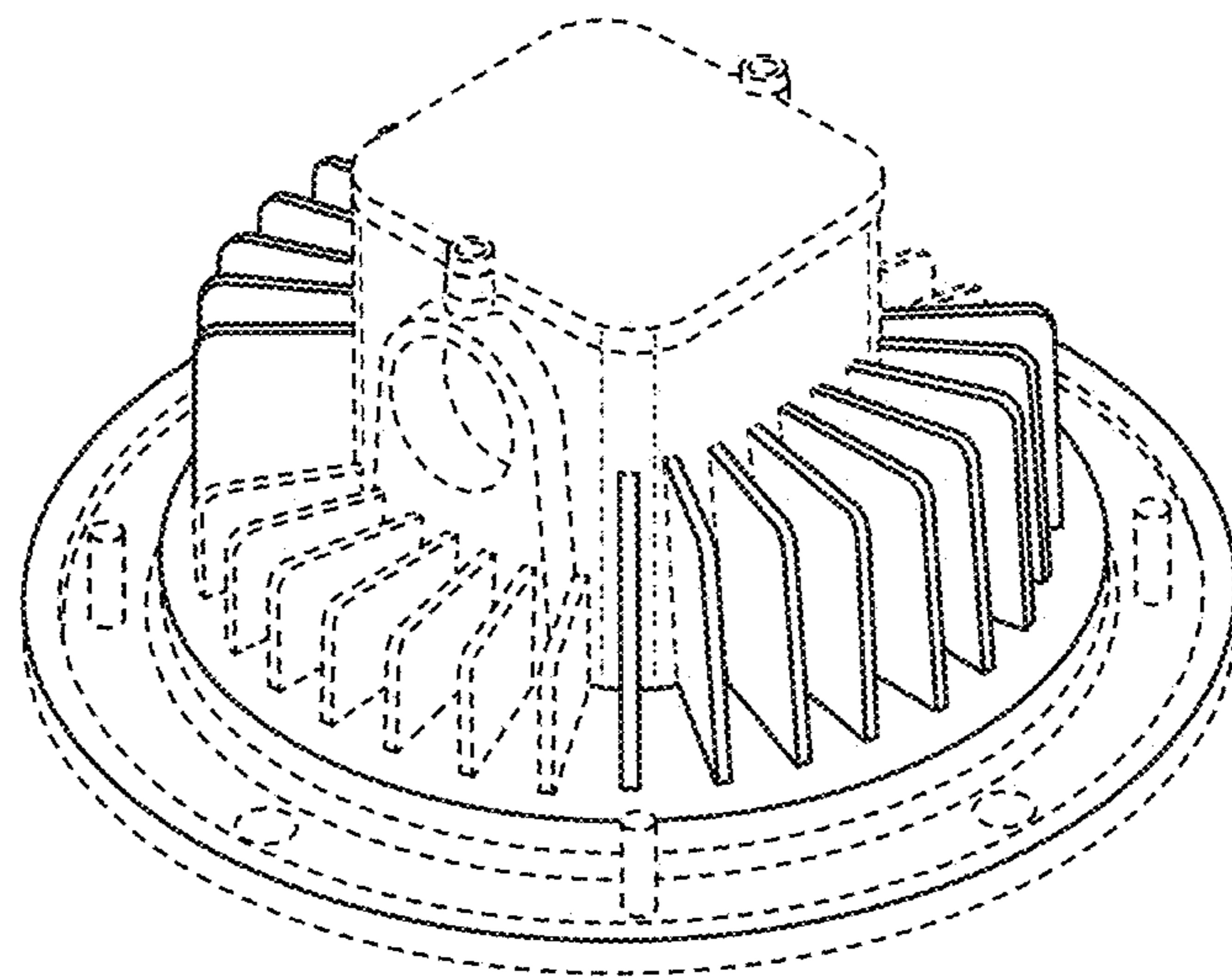


FIG. 5

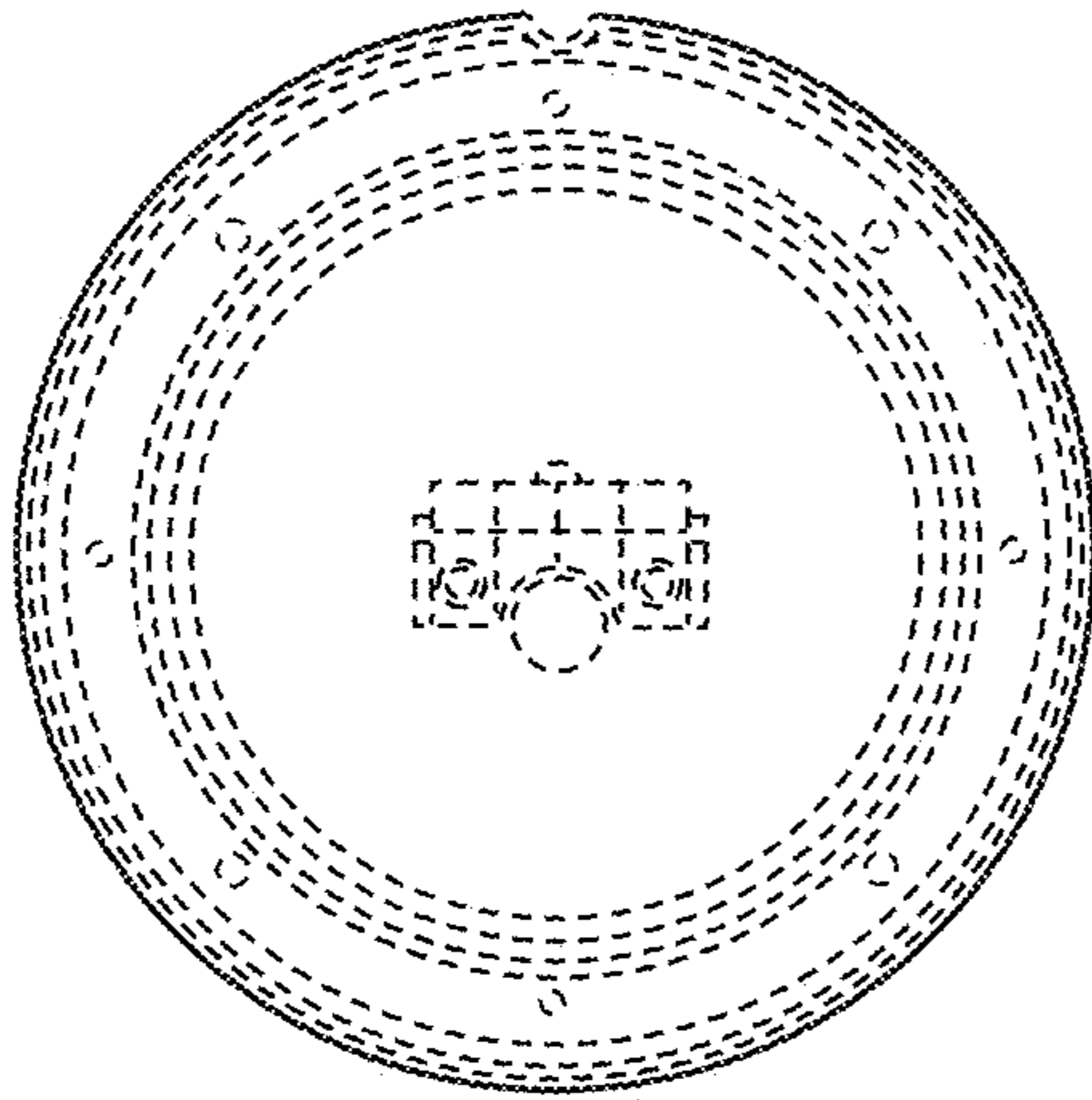


FIG. 6

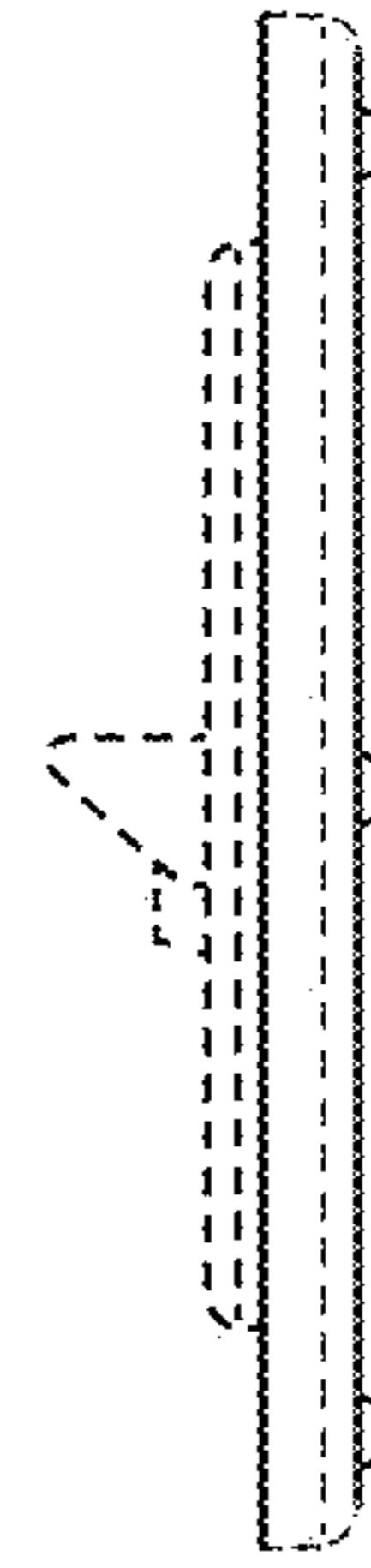


FIG. 7

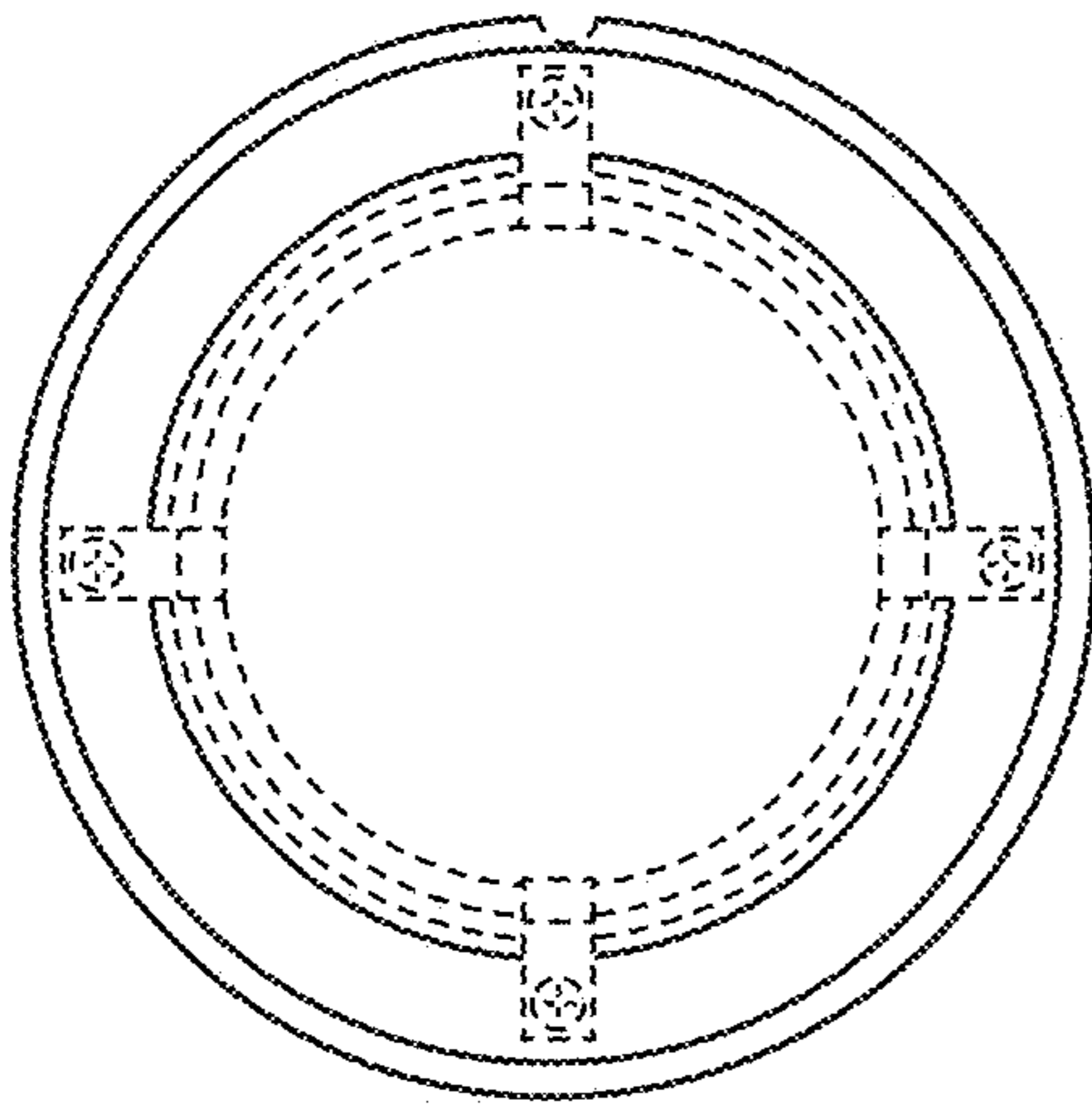


FIG. 8