



US00D921267S

(12) **United States Design Patent**
Allen et al.

(10) **Patent No.:** **US D921,267 S**
(45) **Date of Patent:** **** Jun. 1, 2021**

(54) **ANGLED LIGHT**

(71) Applicant: **Research & Design Innovations, LLC**,
Branford, CT (US)

(72) Inventors: **Donald Terry Allen**, Madison, CT
(US); **Kevin Hannula**, Bloomington, IN
(US)

(73) Assignee: **Research & Design Innovations, LLC**,
Branford, CT (US)

(**) Term: **15 Years**

(21) Appl. No.: **29/681,890**

(22) Filed: **Feb. 28, 2019**

(51) **LOC (13) Cl.** **26-05**

(52) **U.S. Cl.**
USPC **D26/74**

(58) **Field of Classification Search**
USPC D26/74, 72, 75, 76, 77, 78, 85, 88, 89,
D26/118, 138, 141; 362/364, 365, 373,
362/145, 146, 147, 148, 150, 153, 153.1,
362/294, 296.01, 296.07, 296.08
CPC F21V 29/2262; F21V 7/06; F21V 21/044;
F21V 21/047; F21V 29/2212; F21V
29/2225; F21V 29/2256; F21V 29/225;
F21V 29/2268; F21Y 2111/002; F21S
8/02; F21S 8/026
See application file for complete search history.

(56) **References Cited**

U.S. PATENT DOCUMENTS

D448,880 S	*	10/2001	Benghozi	D26/74
D544,624 S	*	6/2007	Chen	D26/61
D544,625 S	*	6/2007	Chen	D26/61
D545,988 S	*	7/2007	Goetz-Schaefer	D26/71
D558,377 S	*	12/2007	Rashidi	D26/74

D632,822 S	*	2/2011	Bitton	D26/74
D726,360 S	*	4/2015	Messiaen	D26/74
D726,951 S	*	4/2015	Serwacki	D26/74
D747,530 S	*	1/2016	Lazalier	D26/74
D779,701 S	*	2/2017	Lazalier	D26/74
D782,721 S	*	3/2017	Cohen	D26/74
D786,473 S	*	5/2017	Dean	D26/74
D828,605 S	*	9/2018	Wronski	D26/74

FOREIGN PATENT DOCUMENTS

CN 302600407 * 10/2013

* cited by examiner

Primary Examiner — Angela J Lee

(74) *Attorney, Agent, or Firm* — DeLio Peterson &
Curcio LLC; Thomas E. Ciesco

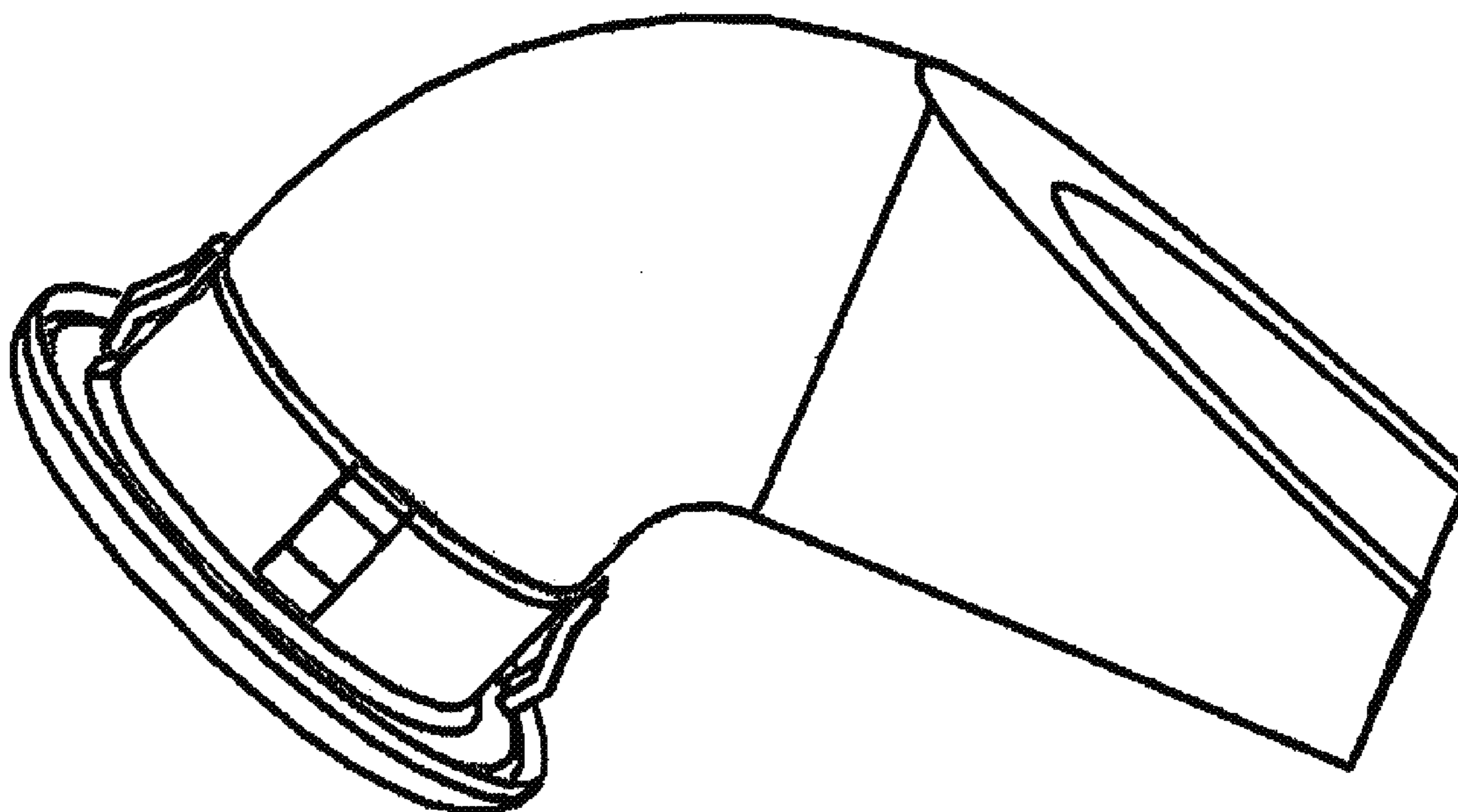
(57) **CLAIM**

The ornamental design for an “angled light”, as shown and described.

DESCRIPTION

FIG. 1 is a side perspective view of the “angled light” design according to my invention;
FIG. 2 is a right side elevational view of the “angled light” shown in FIG. 1;
FIG. 3 is a left side elevational view of the “angled light” shown in FIG. 1;
FIG. 4 is a top plan view of the “angled light” shown in FIG. 1;
FIG. 5 is a bottom plan view of the “angled light” shown in FIG. 1;
FIG. 6 is a front elevational view of the “angled light” shown in FIG. 1; and,
FIG. 7 is a rear elevational view of the “angled light” shown in FIG. 1.

1 Claim, 2 Drawing Sheets



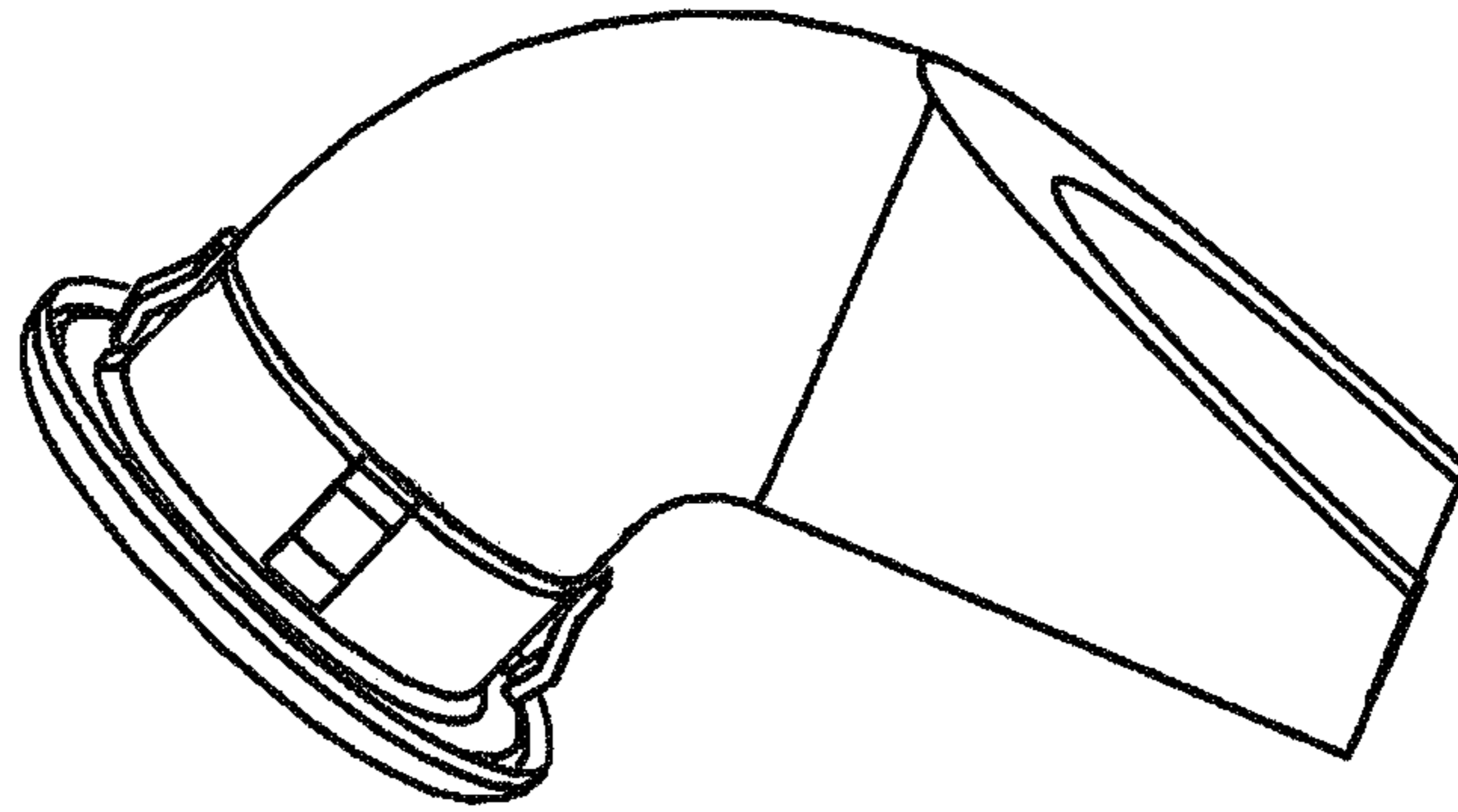


FIG. 1

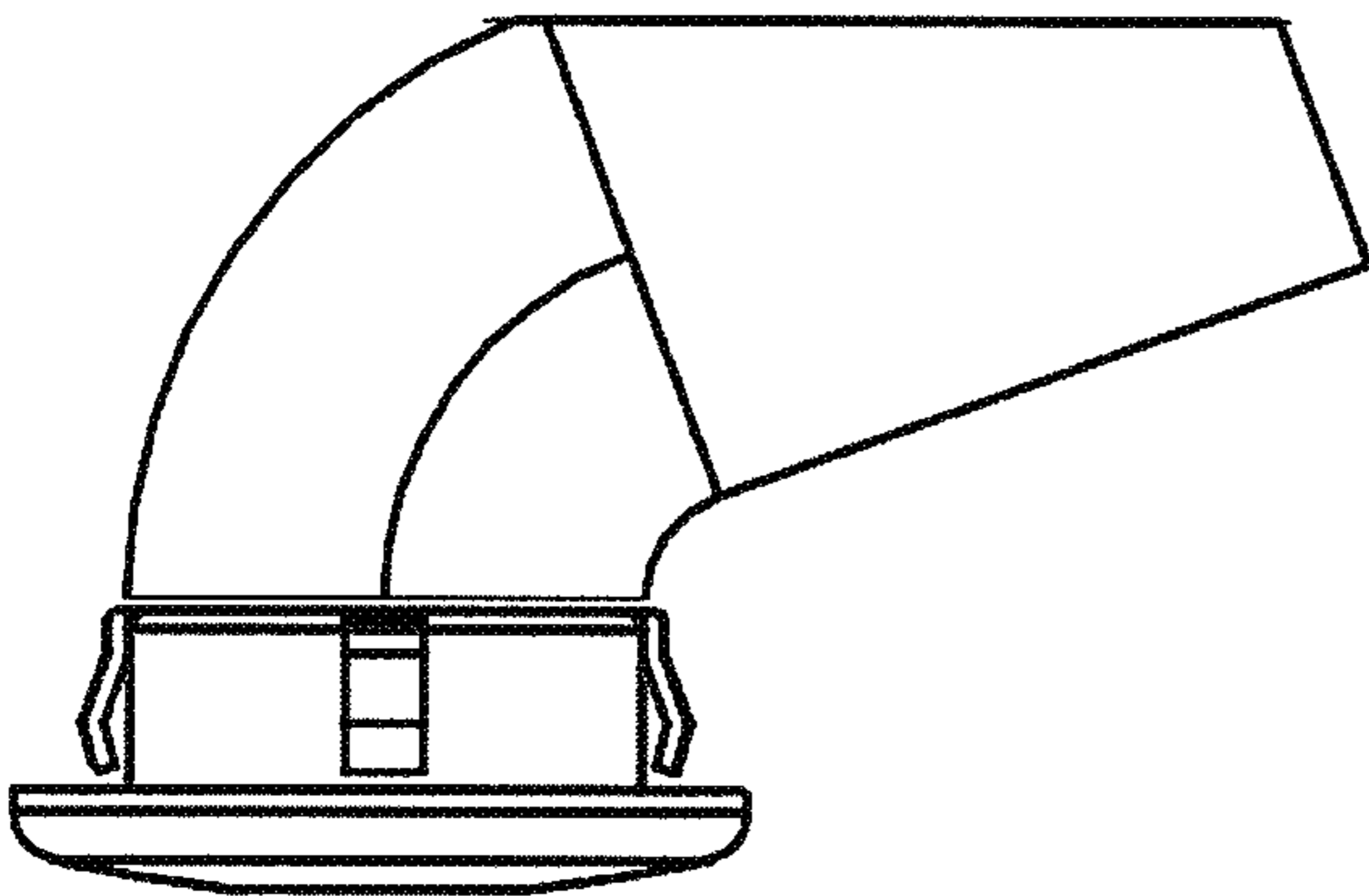


FIG. 2

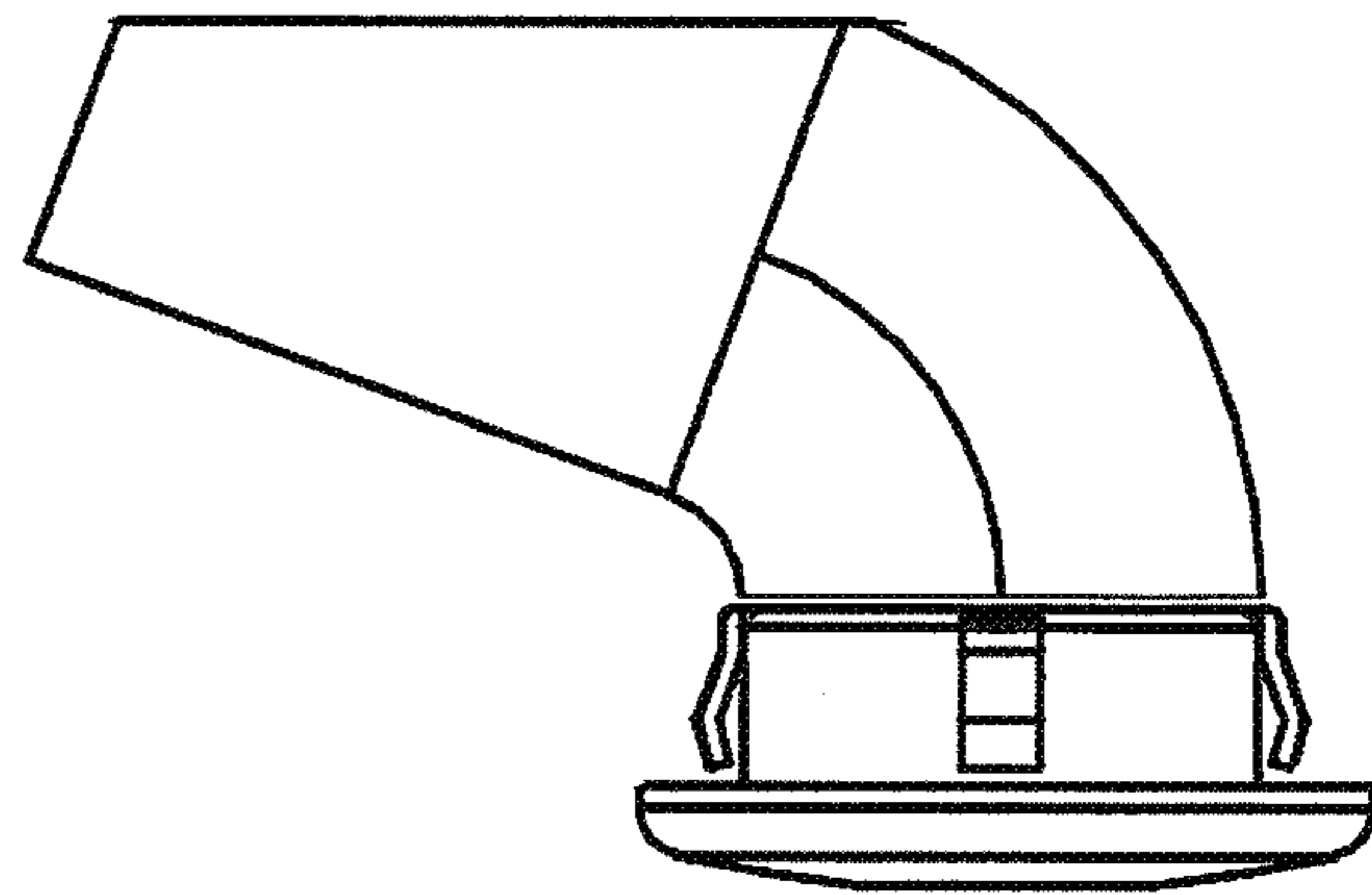


FIG. 3

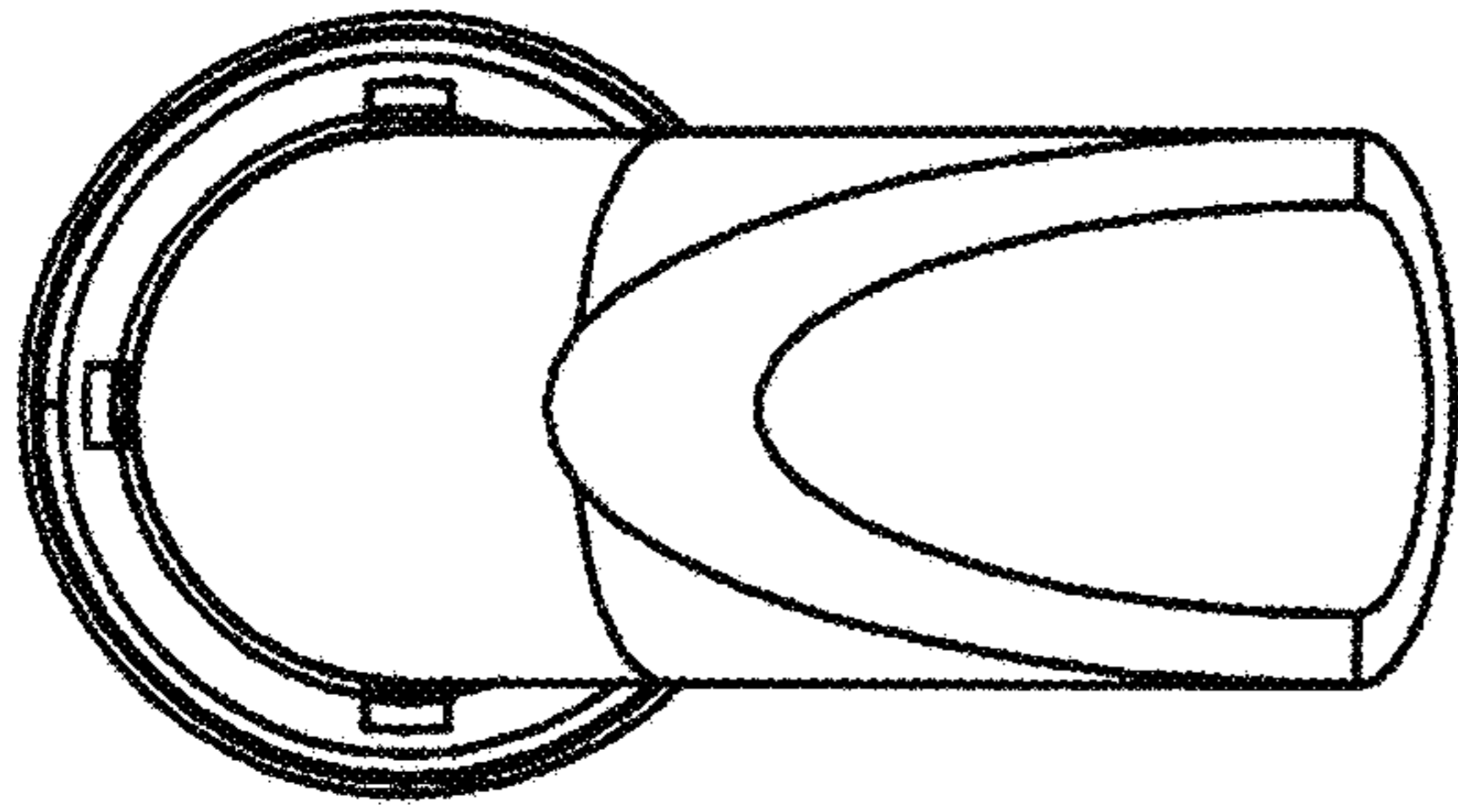


FIG. 4

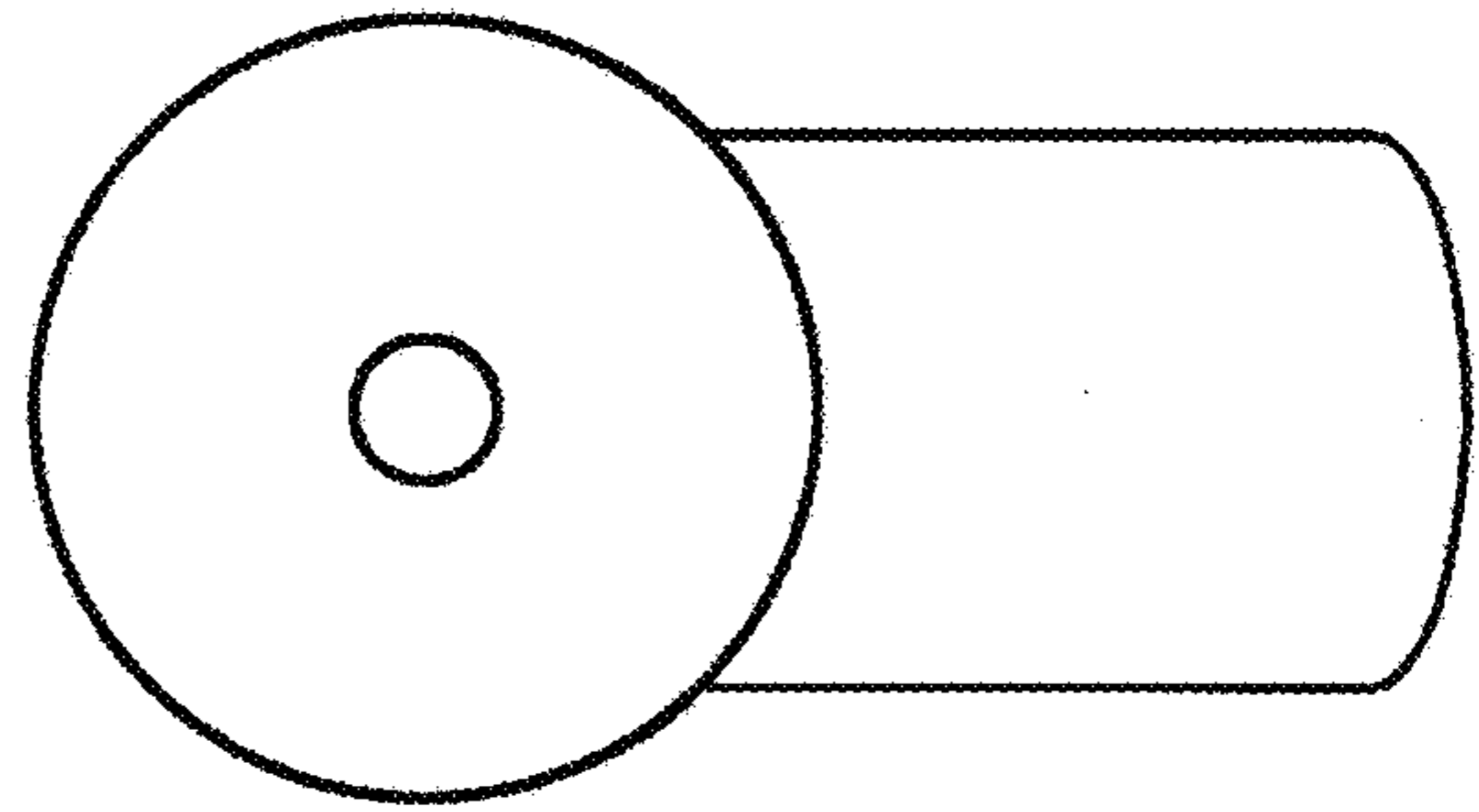


FIG. 5

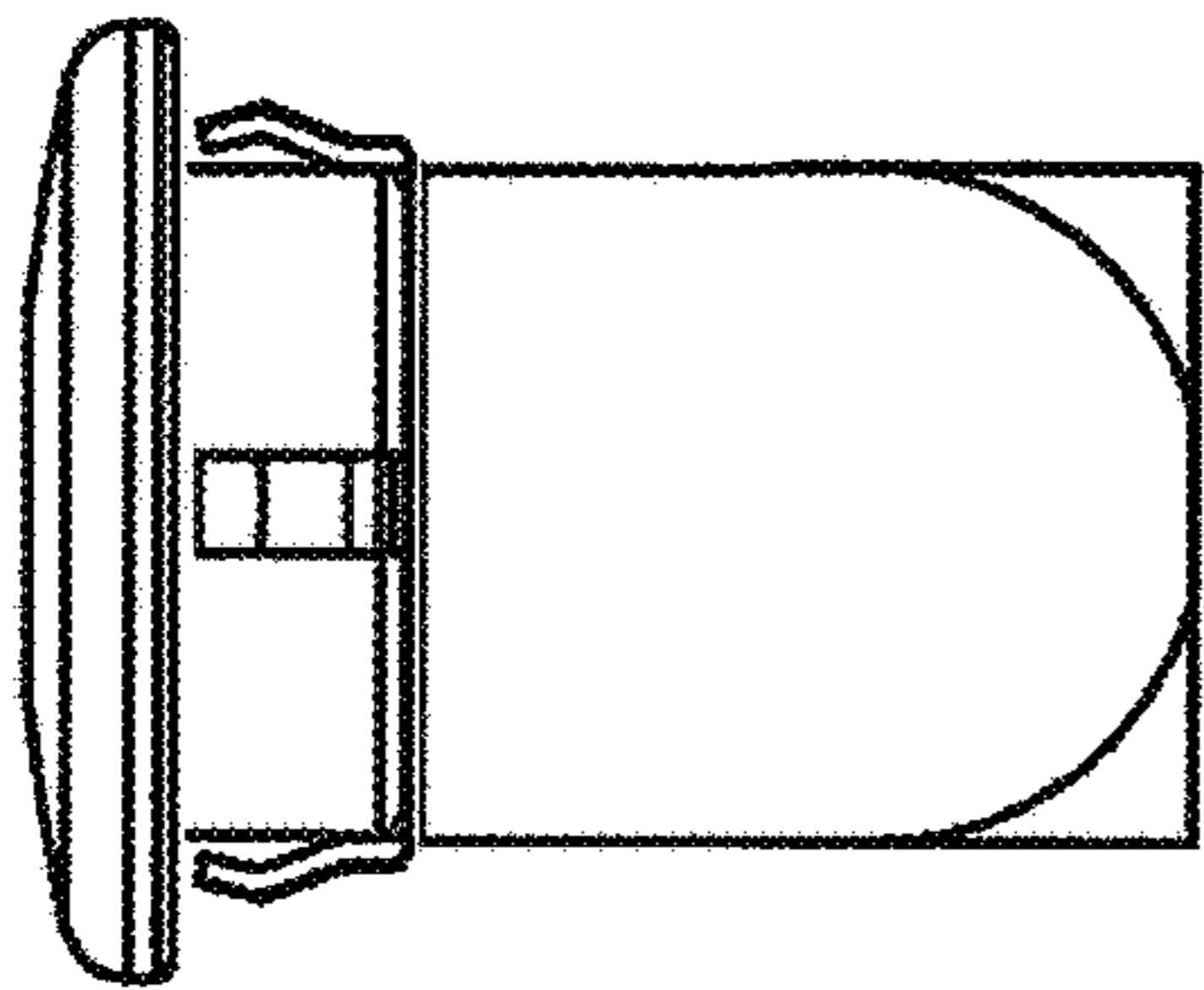


FIG. 6

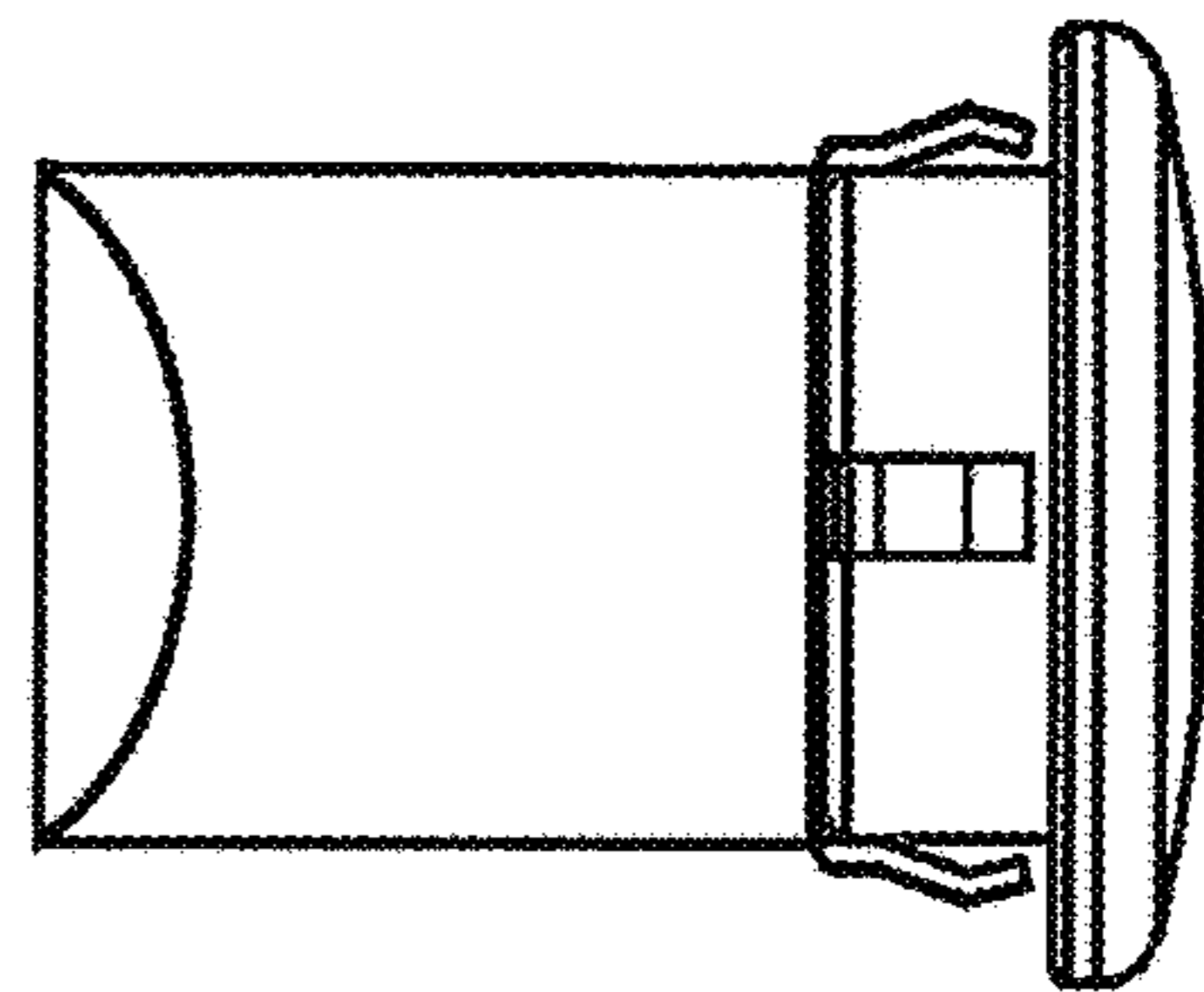


FIG. 7