



US00D921263S

(12) **United States Design Patent** (10) **Patent No.:** **US D921,263 S**
Zhu (45) **Date of Patent:** **** Jun. 1, 2021**

(54) **SOLAR GARDEN LAMP**

D870,944 S * 12/2019 Niswonger D26/67
2006/0146524 A1 * 7/2006 Izardel F21S 9/037
362/183
2006/0227542 A1 * 10/2006 Richmond F21V 3/061
362/183

(71) Applicant: **NINGHAI HENGNING ELECTRIC CO., LTD.**, Ninghai County (CN)

(72) Inventor: **Qing Zhu**, Wuhan (CN)

OTHER PUBLICATIONS

(**) Term: **15 Years**

Twinkle Colour Changing Star Solar Pathway Lights, by AMWGIMI available at amazon.com Feb. 16, 2020. (Year: 2020).*
Twinkle Colour Changing Star Solar Pathway Lights from AMWGIMI available at amazon.com May 26, 2020. (Year: 2020).*

(21) Appl. No.: **29/744,384**

* cited by examiner

(22) Filed: **Jul. 29, 2020**

(51) **LOC (13) Cl.** **26-05**

Primary Examiner — Clare E Heflin

(52) **U.S. Cl.**

(57) **CLAIM**

USPC **D26/68**

(58) **Field of Classification Search**

The ornamental design for a solar garden lamp, as shown and described.

USPC D26/67-72, 85
CPC .. F21S 8/022; F21S 8/032; F21S 8/036; F21S 8/081; F21S 8/083; F21S 8/088; F21S 9/037; F21V 21/0824; F21W 2111/02; F21W 2111/023; F21W 2131/109

DESCRIPTION

See application file for complete search history.

FIG. 1 is a front and top perspective view of a solar garden lamp, showing my new design;
FIG. 2 is a rear and bottom perspective view thereof;
FIG. 3 is a front elevational view thereof;
FIG. 4 is a rear elevational view thereof;
FIG. 5 is a left side elevational view thereof;
FIG. 6 is a right side elevational view thereof;
FIG. 7 is a top plan view thereof;
FIG. 8 is a bottom plan view thereof;
FIG. 9 is an enlarged view of a portion indicated with numeric 9 in FIG. 2; and,
FIG. 10 is an enlarged view of a portion indicated with numeric 10 in FIG. 5.

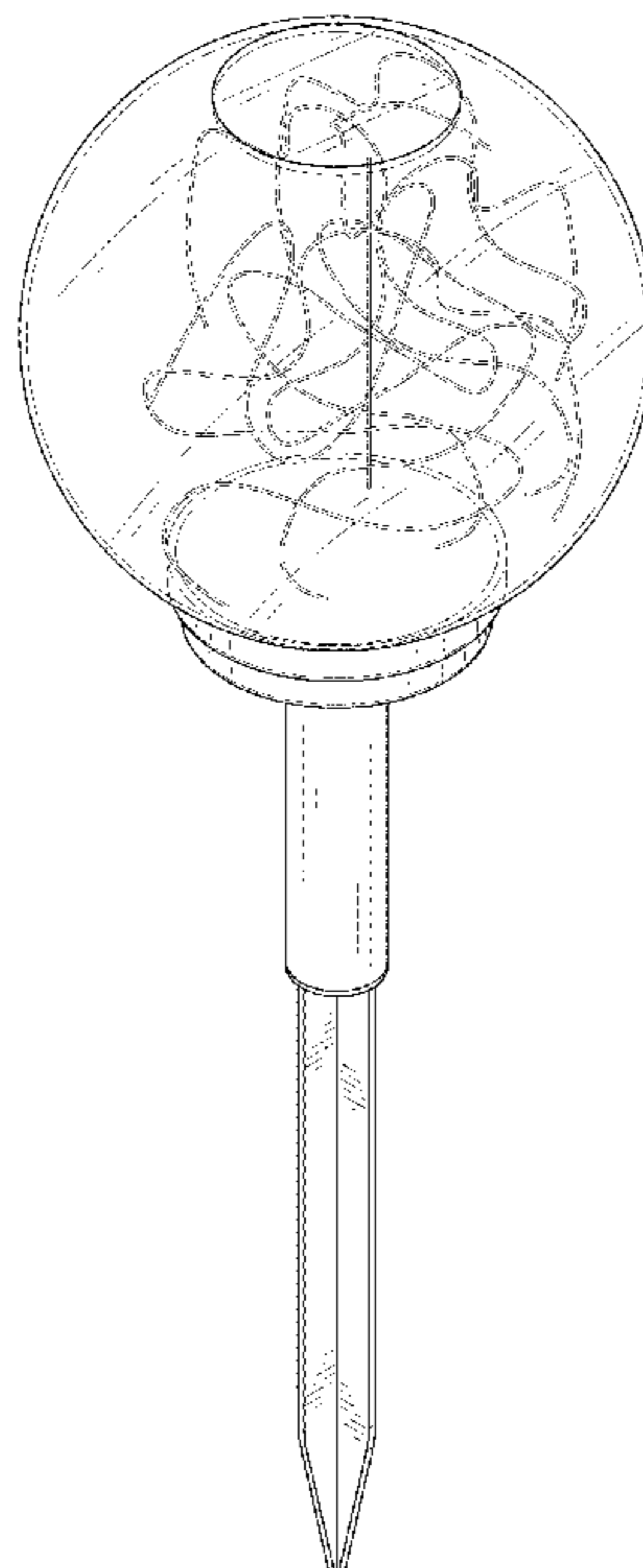
(56) **References Cited**

U.S. PATENT DOCUMENTS

D226,129 S * 1/1973 Donato D26/68
3,866,034 A * 2/1975 Russo F21V 21/0824
362/152
D303,296 S * 9/1989 Arts D26/67
D370,288 S * 5/1996 Tognu D26/67
D441,116 S * 4/2001 Sanoner D26/68
D638,969 S * 5/2011 Chen D26/67
D647,234 S 10/2011 Izardel
D652,975 S * 1/2012 Harshaw D26/67
8,262,245 B1 * 9/2012 Richmond F21V 21/0824
362/183
D672,484 S * 12/2012 Chen D26/67
D765,296 S * 8/2016 Wei D26/67

The dashed broken lines in the figures illustrate portions of the article that form no part of the claimed design. The dash dot dash lines in FIGS. 2, 5, 9 and 10 are for the purpose of depicting the cut line of the enlarged view and form no part of the claim.

1 Claim, 10 Drawing Sheets



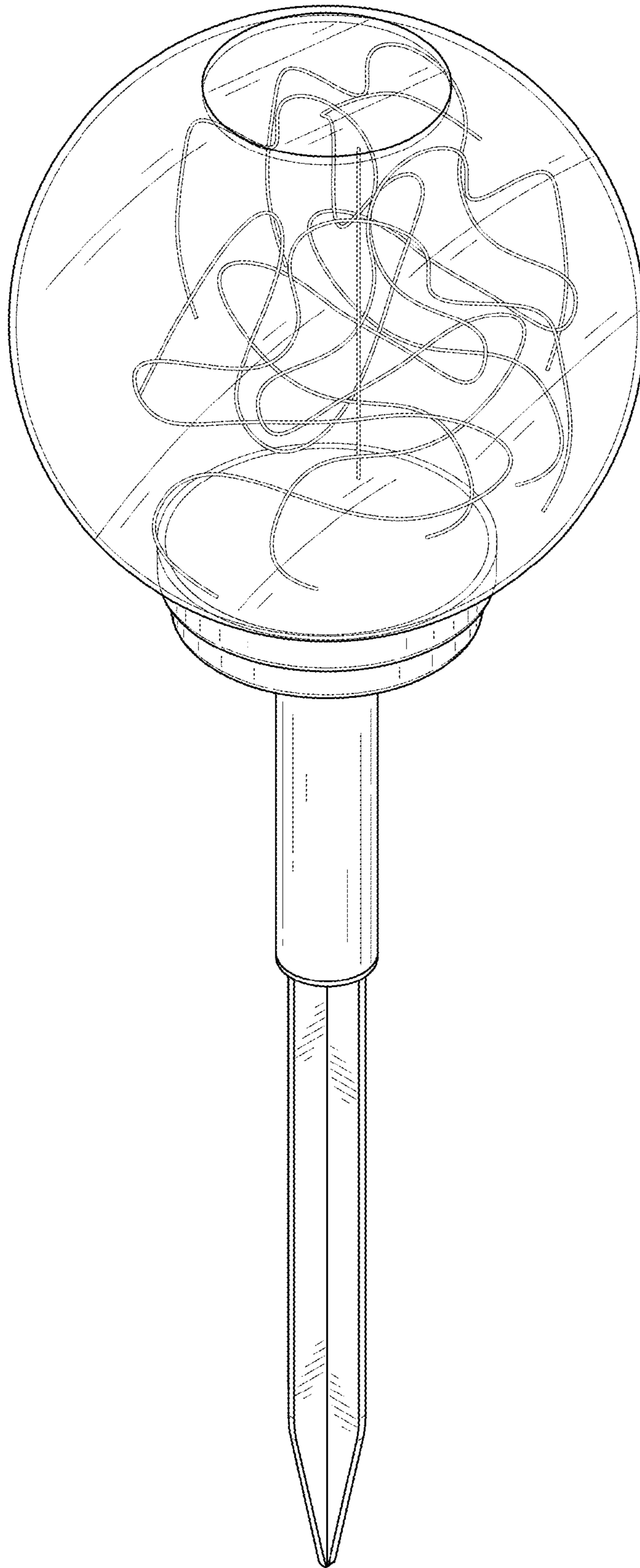


FIG. 1

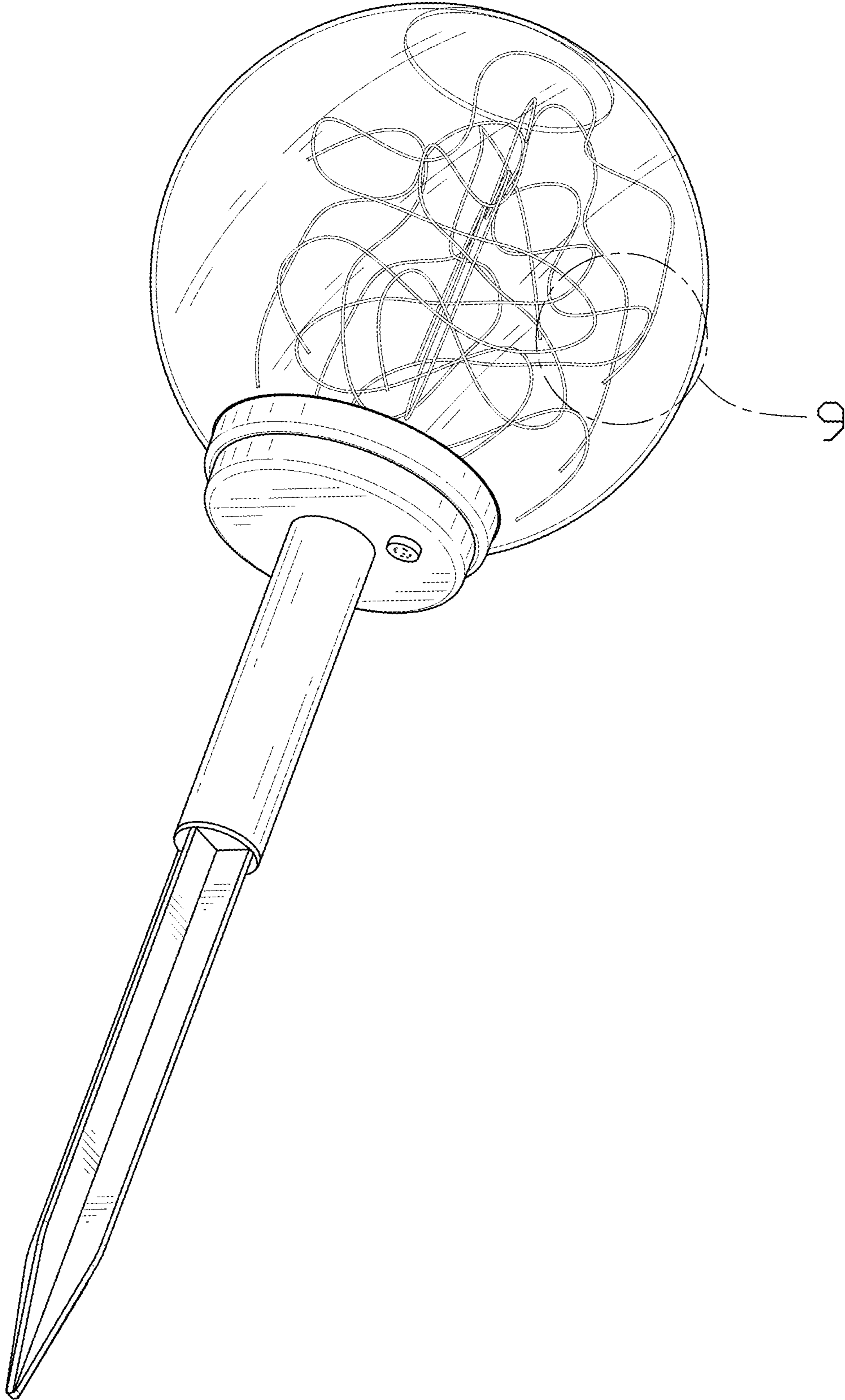


FIG. 2

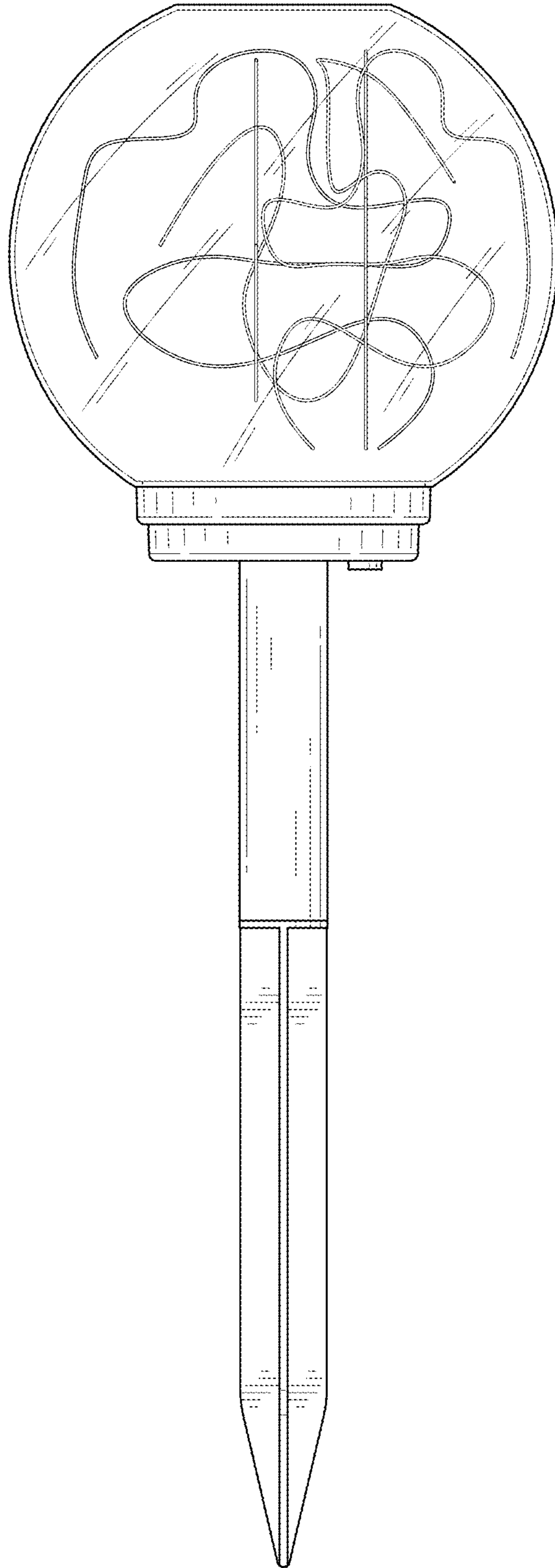


FIG. 3

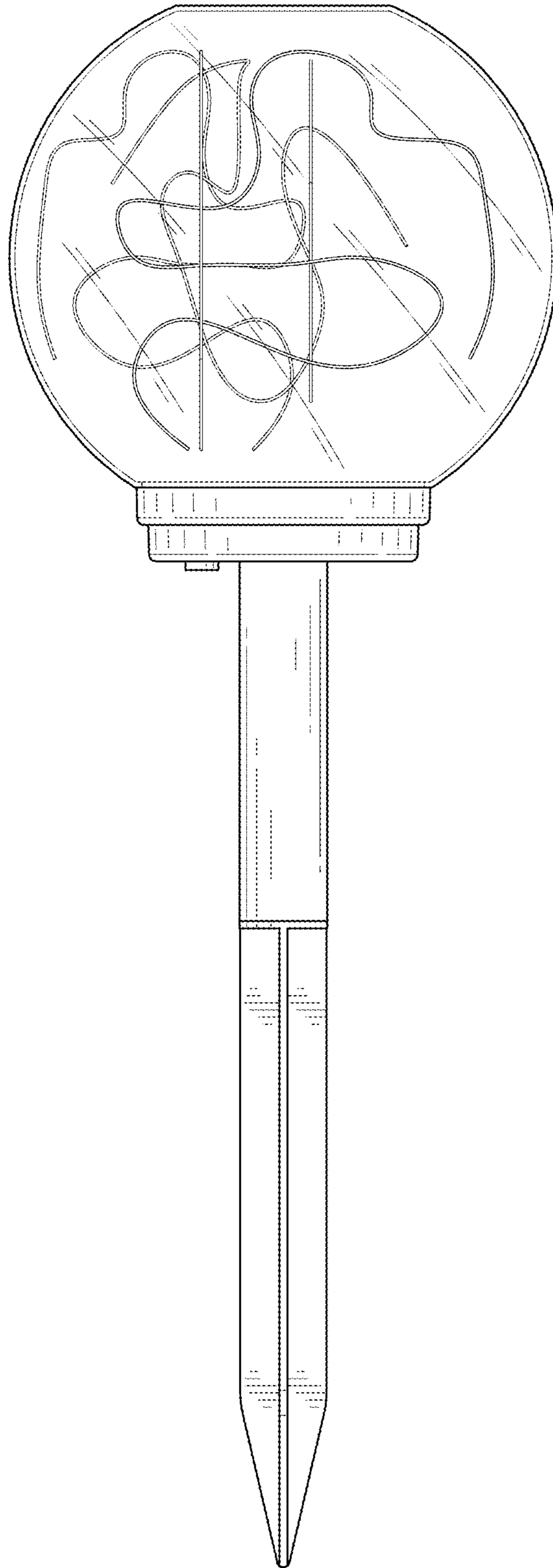


FIG. 4

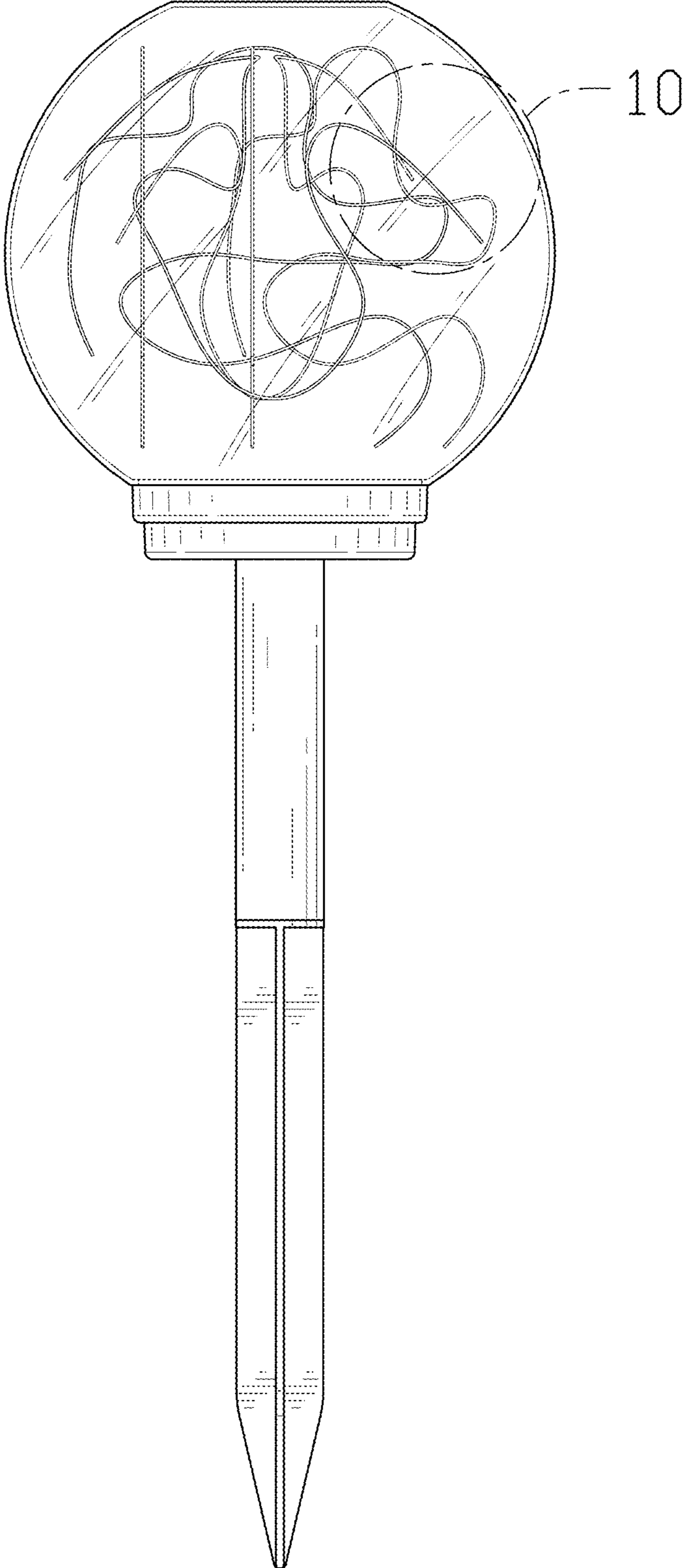


FIG. 5

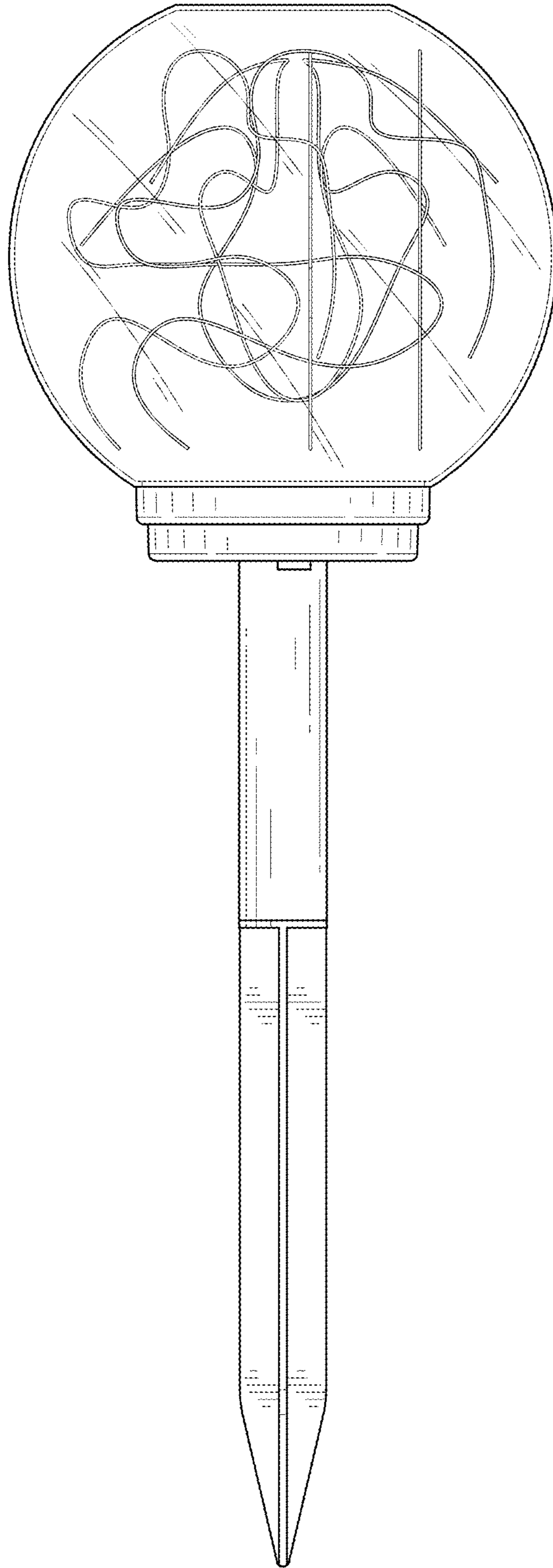


FIG. 6

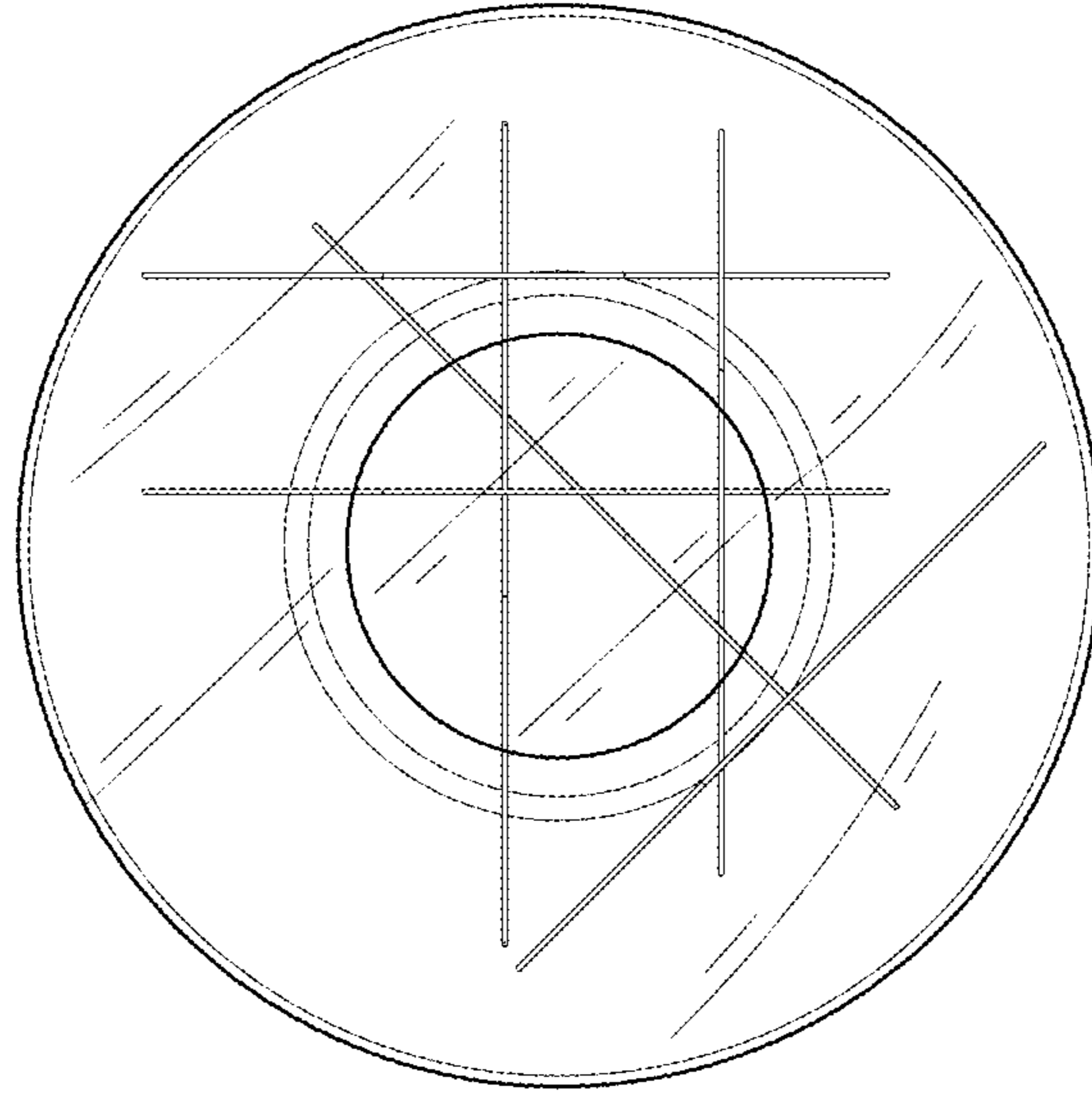


FIG. 7

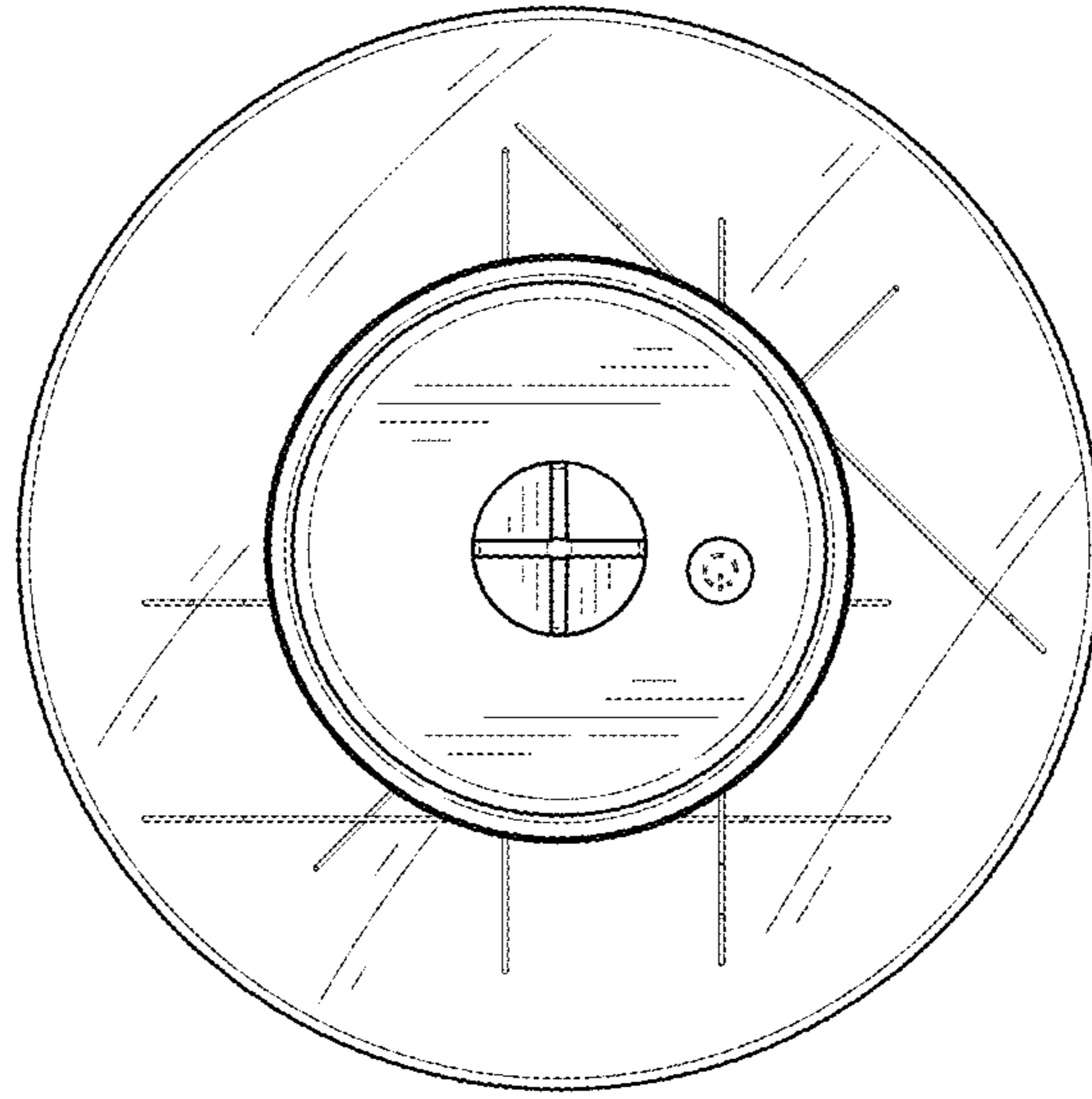


FIG. 8

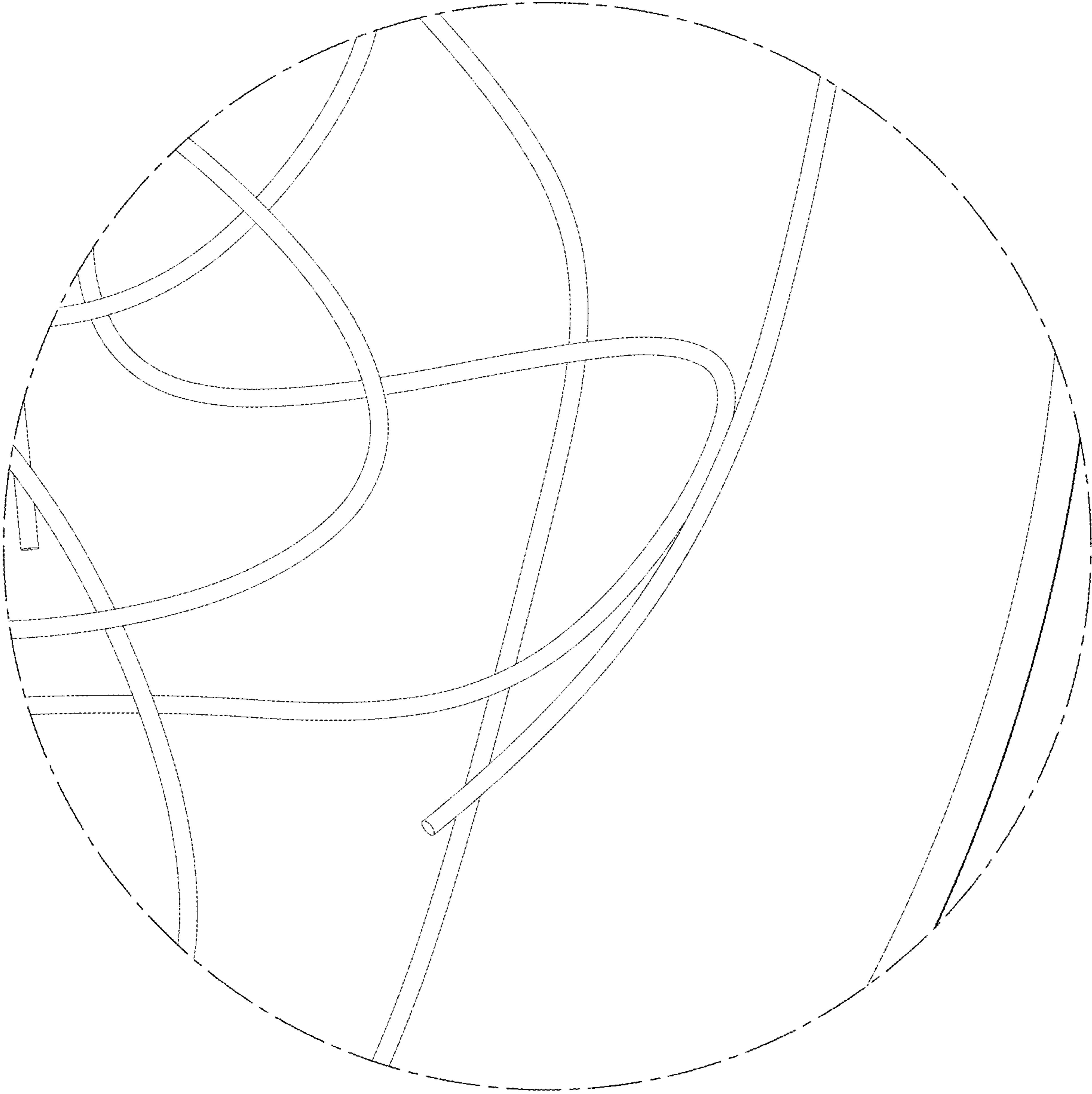


FIG. 9

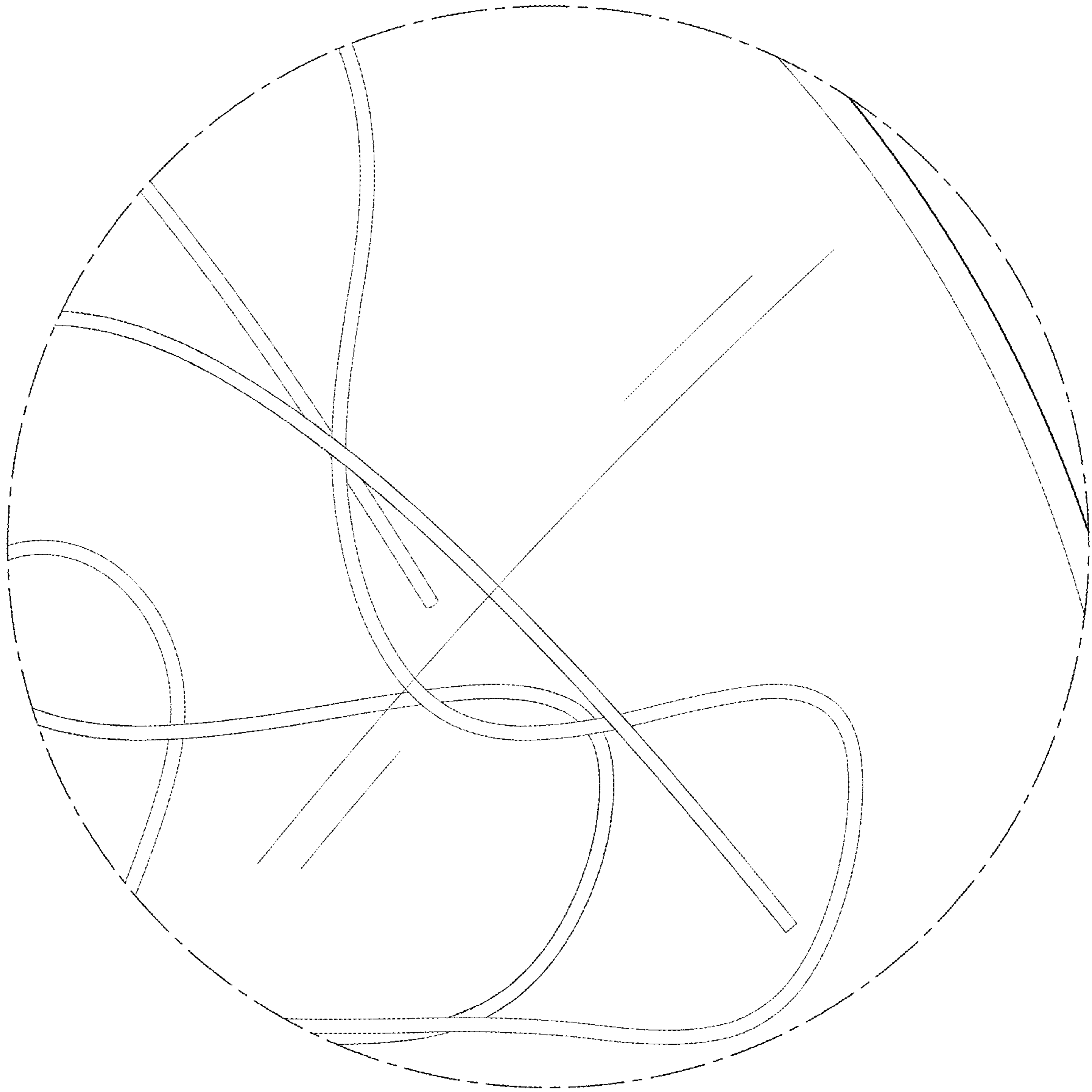


FIG. 10