



US00D921261S

(12) **United States Design Patent**
Qiu

(10) **Patent No.:** **US D921,261 S**
(45) **Date of Patent:** **** Jun. 1, 2021**

(54) **GARDEN LAMP**

D885,632 S * 5/2020 Chen D26/67
D887,059 S * 6/2020 Liu D26/63
D905,312 S * 12/2020 Zhuo D26/63

(71) Applicant: **Lin Qiu**, Jiangxi (CN)

(72) Inventor: **Lin Qiu**, Jiangxi (CN)

(**) Term: **15 Years**

(21) Appl. No.: **29/699,365**

(22) Filed: **Jul. 24, 2019**

(51) **LOC (13) Cl.** **26-05**

(52) **U.S. Cl.**
USPC **D26/67**

(58) **Field of Classification Search**
USPC D10/111-115; D20/17; D26/10, 11, 12,
D26/31, 51, 60, 61, 63-71, 92, 93
CPC .. F21S 8/003; F21S 8/006; F21S 8/081; F21S
8/083; F21S 9/03; F21S 9/032; F21S
9/035; F21S 9/037; F21S 10/005; G09F
2013/0495; G09F 2013/0404; G09F
2013/02

See application file for complete search history.

(56) **References Cited**

U.S. PATENT DOCUMENTS

5,065,291 A * 11/1991 Frost F21V 5/00
362/183
D322,862 S * 12/1991 Miller D26/24
D329,505 S * 9/1992 Miller D26/63
D619,751 S * 7/2010 Zemel D26/93
D670,838 S * 11/2012 Ueda D26/28
D810,342 S * 2/2018 Chen D26/68
D839,472 S * 1/2019 Hu D26/118
D866,637 S * 11/2019 Xie D16/203
D875,289 S * 2/2020 Hu D26/63

OTHER PUBLICATIONS

WAKYME 32 LED Solar Landscape Spotlight (available online Dec. 2, 2019) Retrieved from the internet Jun. 29, 2020 from URL: https://www.amazon.com/WAKYME-Landscape-Spotlight-Waterproof-Driveway/dp/B0828L4MY4/ref=psdc_14193181_t4_B07X8MH1GV.*

* cited by examiner

Primary Examiner — Kevin K Rudzinski
Assistant Examiner — Richard Kearney

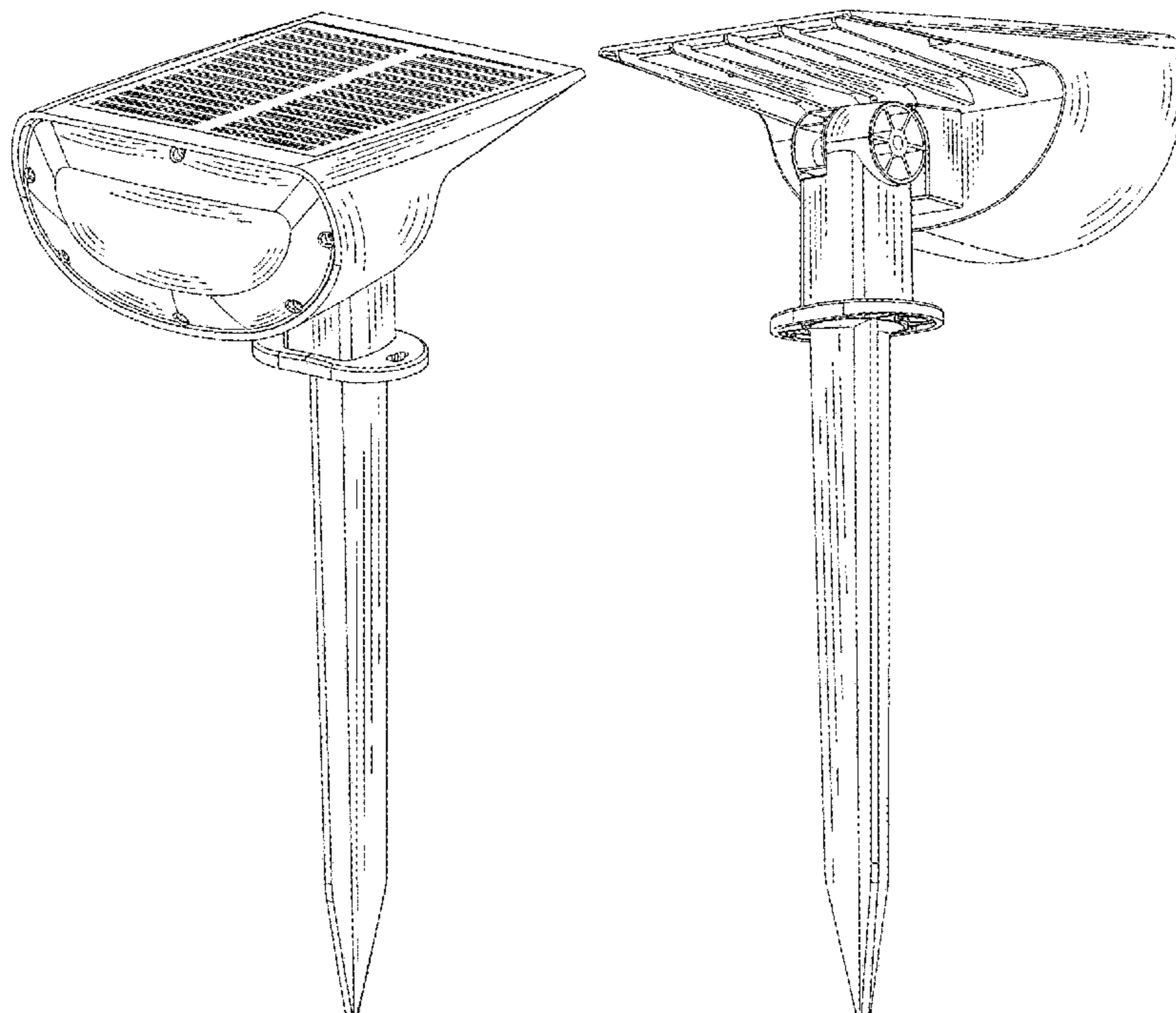
(57) **CLAIM**

The ornamental design for a garden lamp, as shown and described.

DESCRIPTION

FIG. 1 is a perspective view of a garden lamp showing my new design;
FIG. 2 is a front elevational view thereof;
FIG. 3 is a rear elevational view thereof;
FIG. 4 is a left side elevational view thereof;
FIG. 5 is a right side elevational view thereof;
FIG. 6 is a top plan view thereof;
FIG. 7 is a bottom plan view thereof;
FIG. 8 is a rear, left perspective view thereof; and,
FIG. 9 is a perspective view of the garden lamp shown without the front cover.
The broken lines in the drawings depict portions of the garden lamp that form no part of the claimed design.

1 Claim, 9 Drawing Sheets



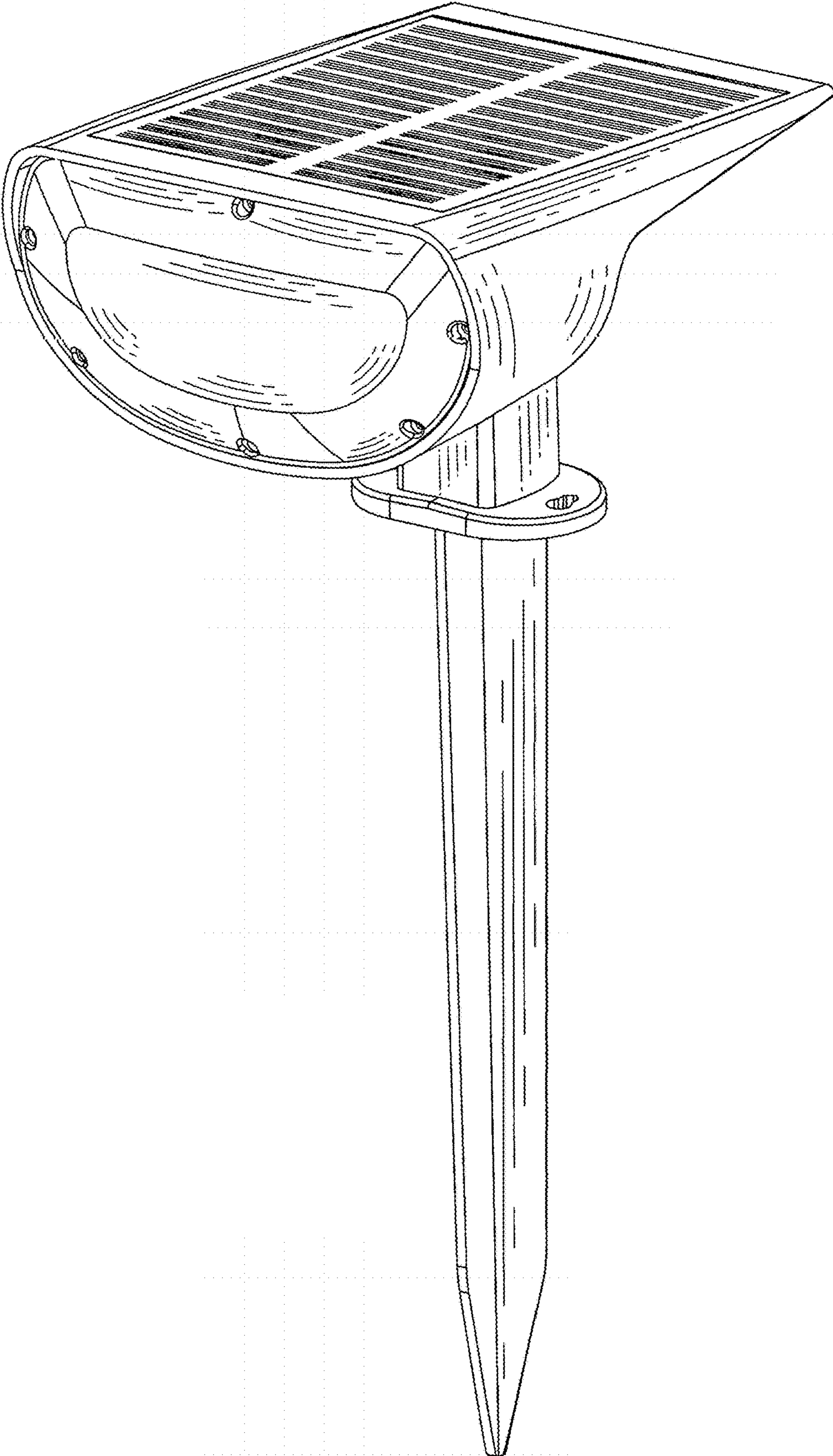


FIG. 1

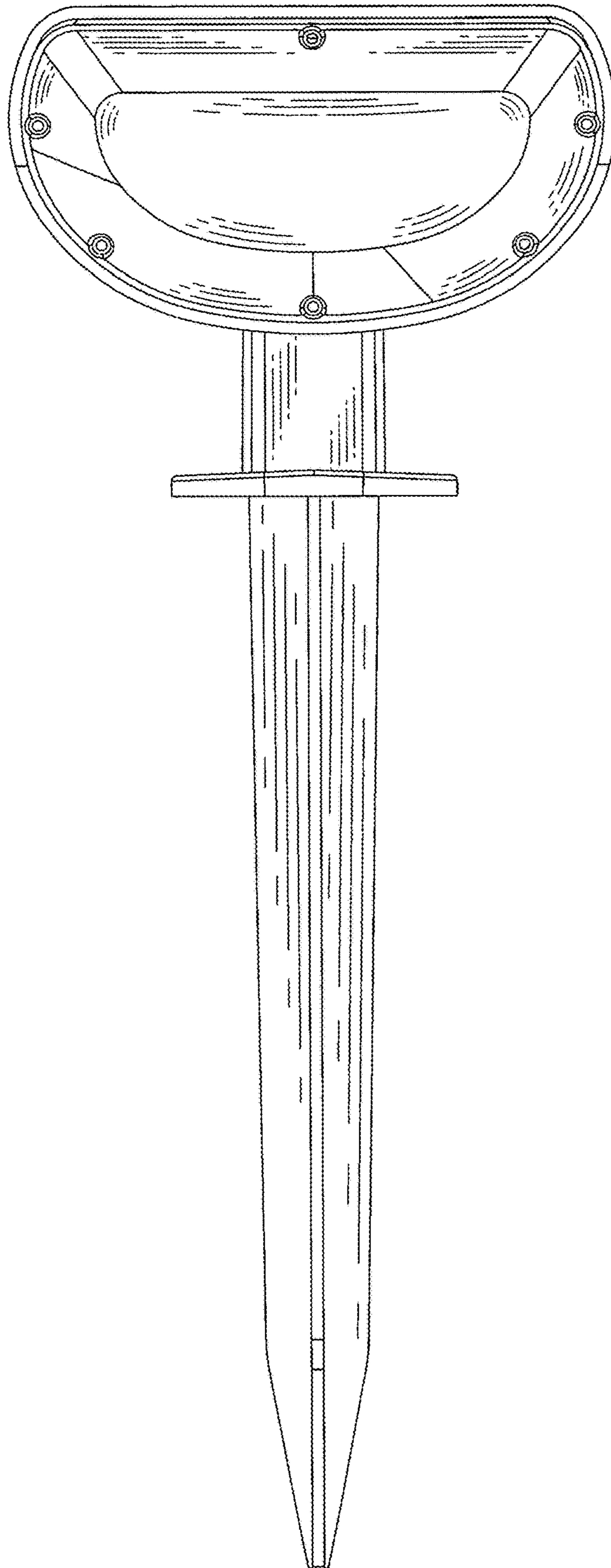


FIG. 2

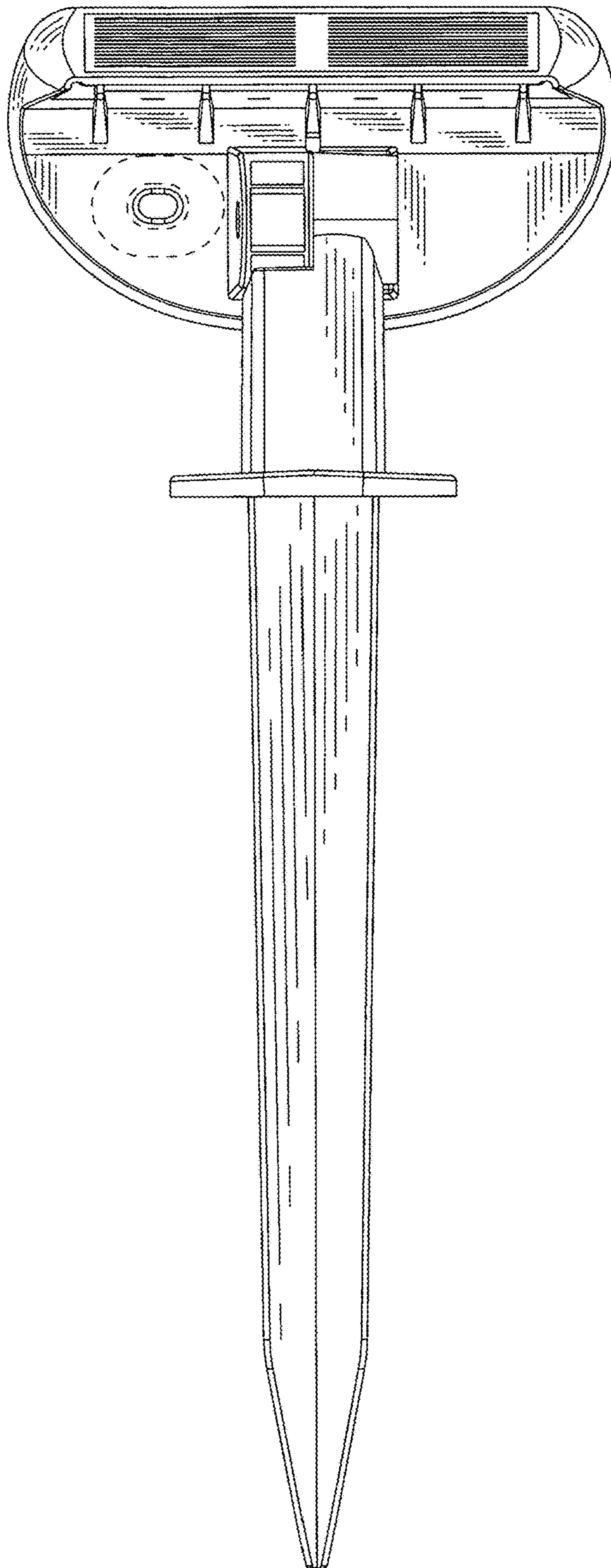


FIG. 3

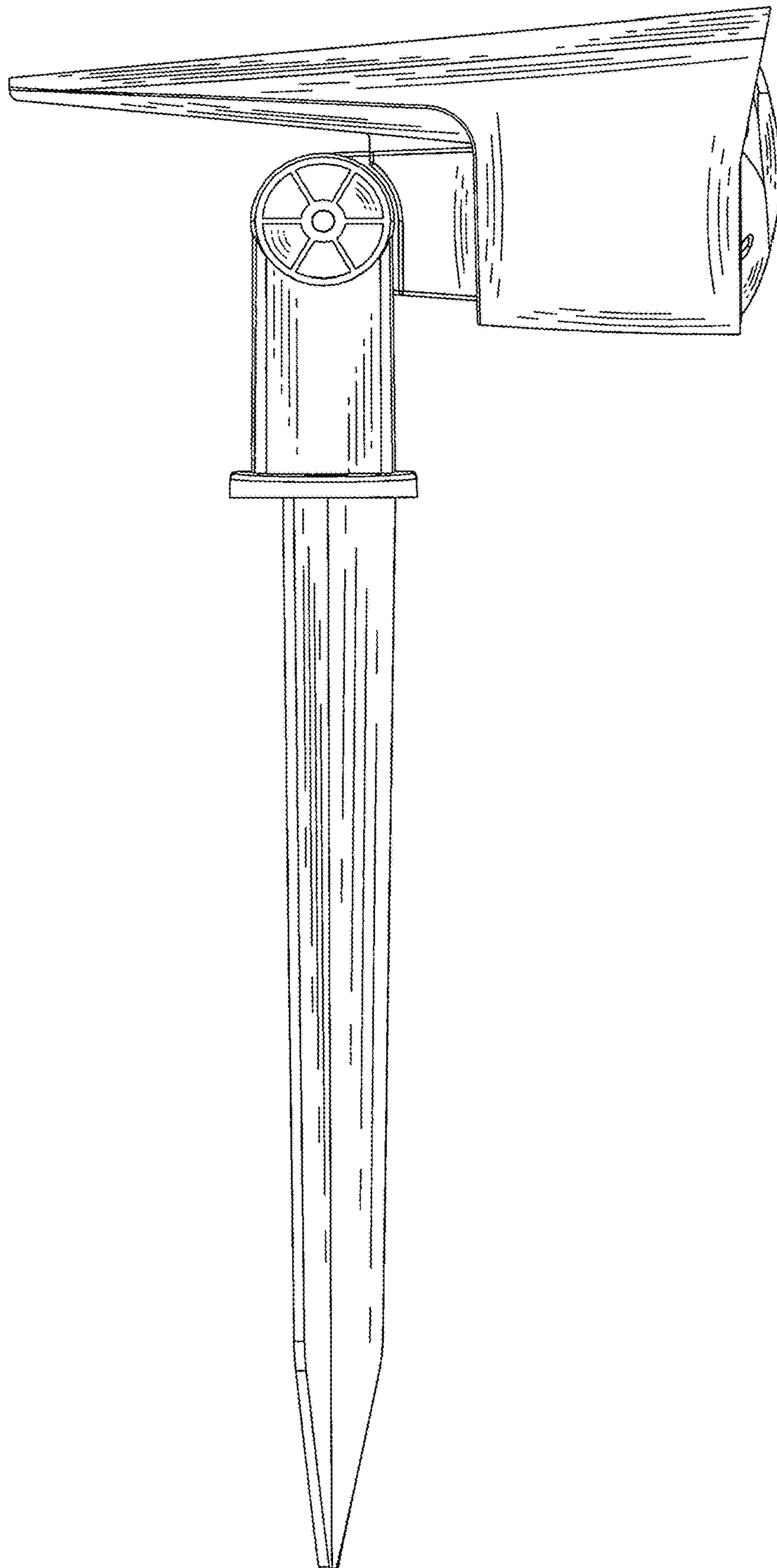


FIG. 4

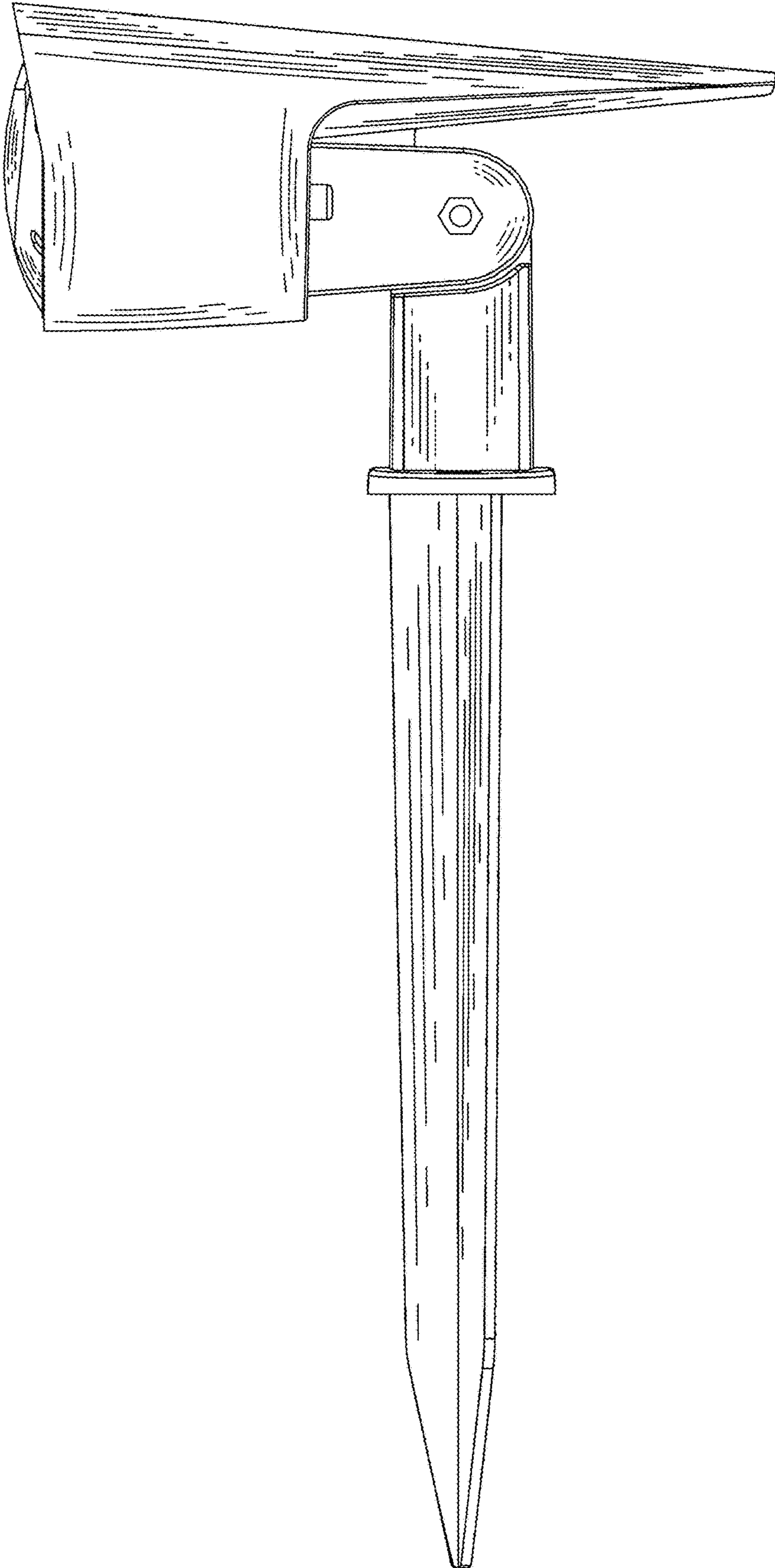


FIG. 5

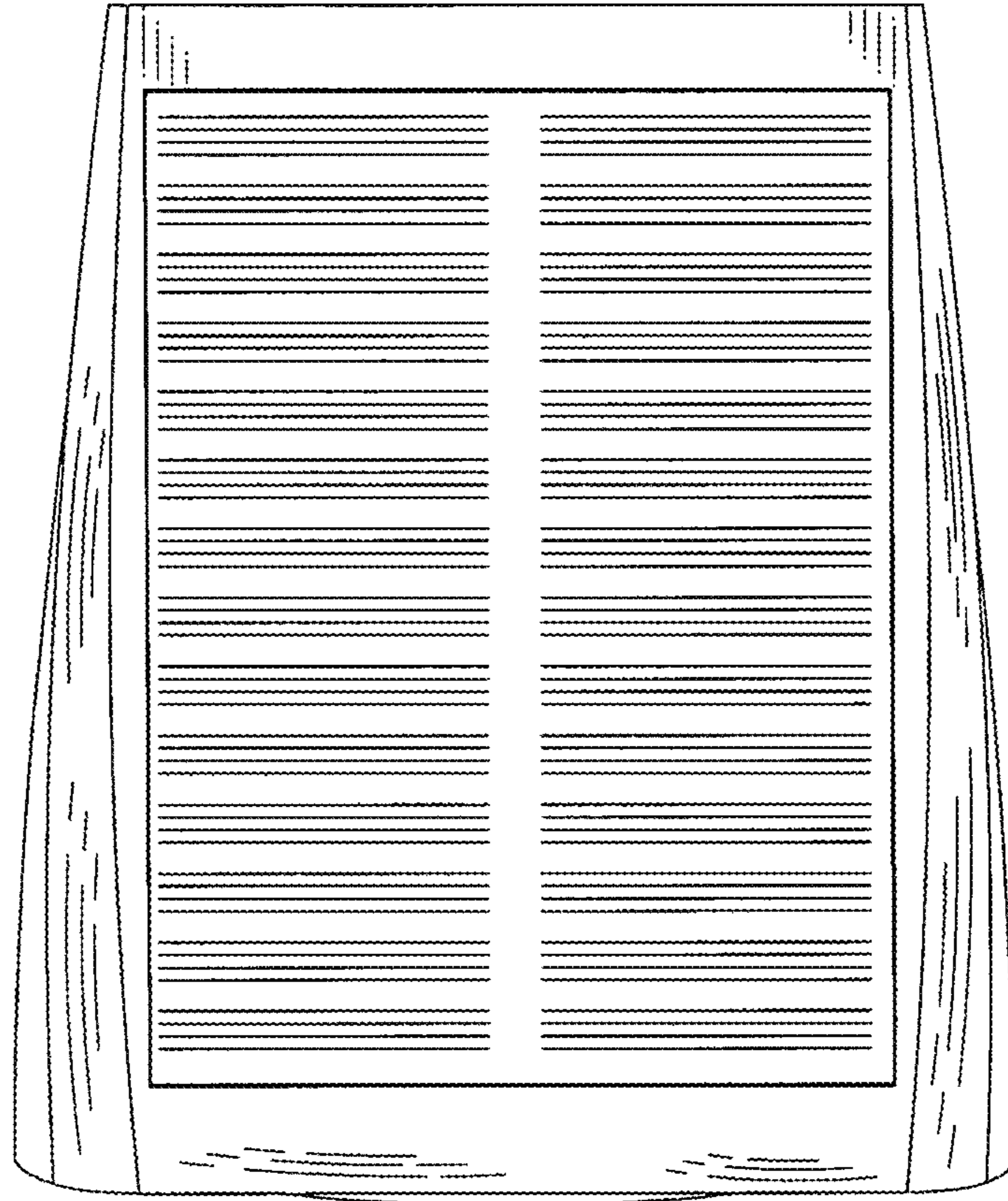


FIG. 6

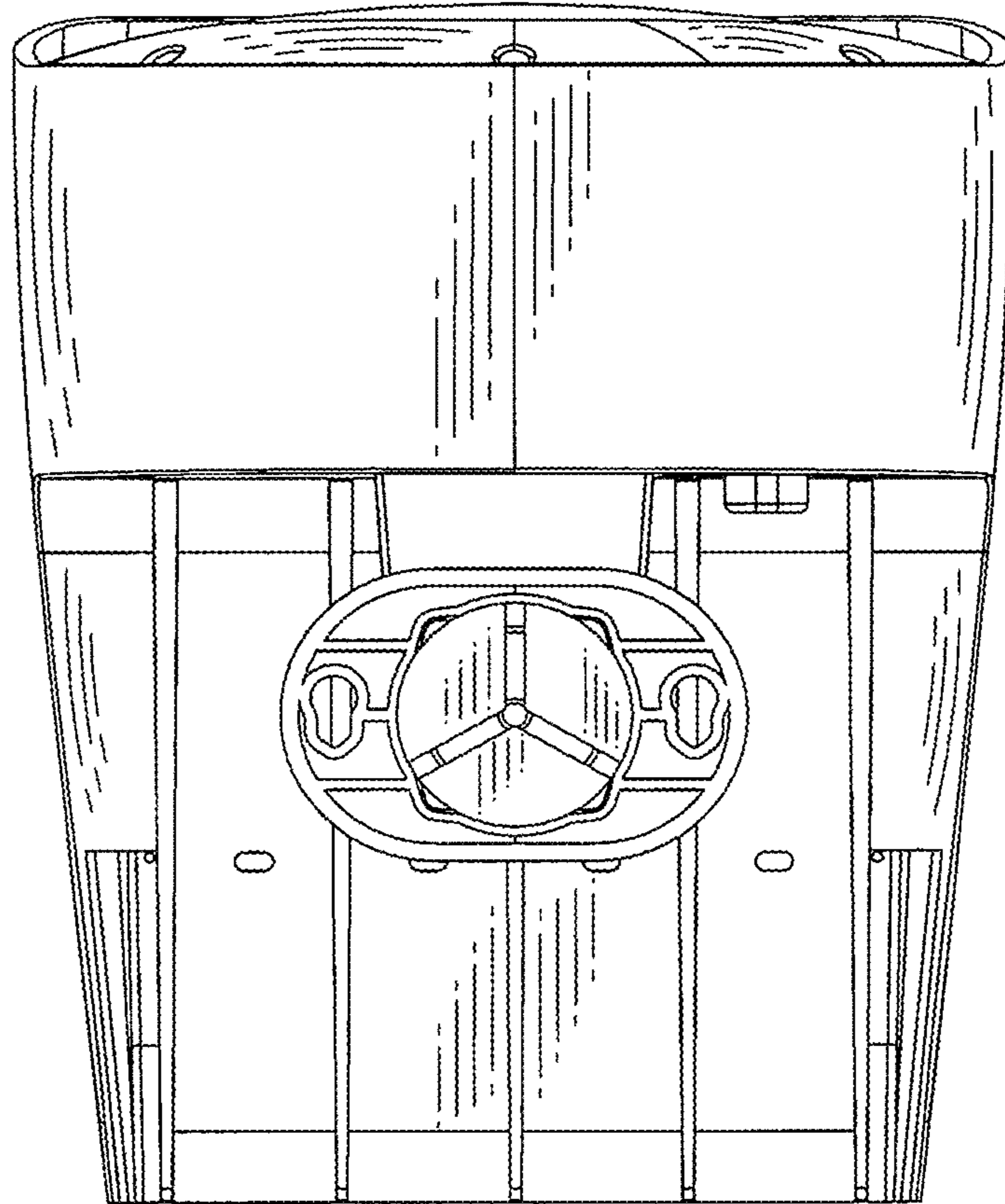


FIG. 7

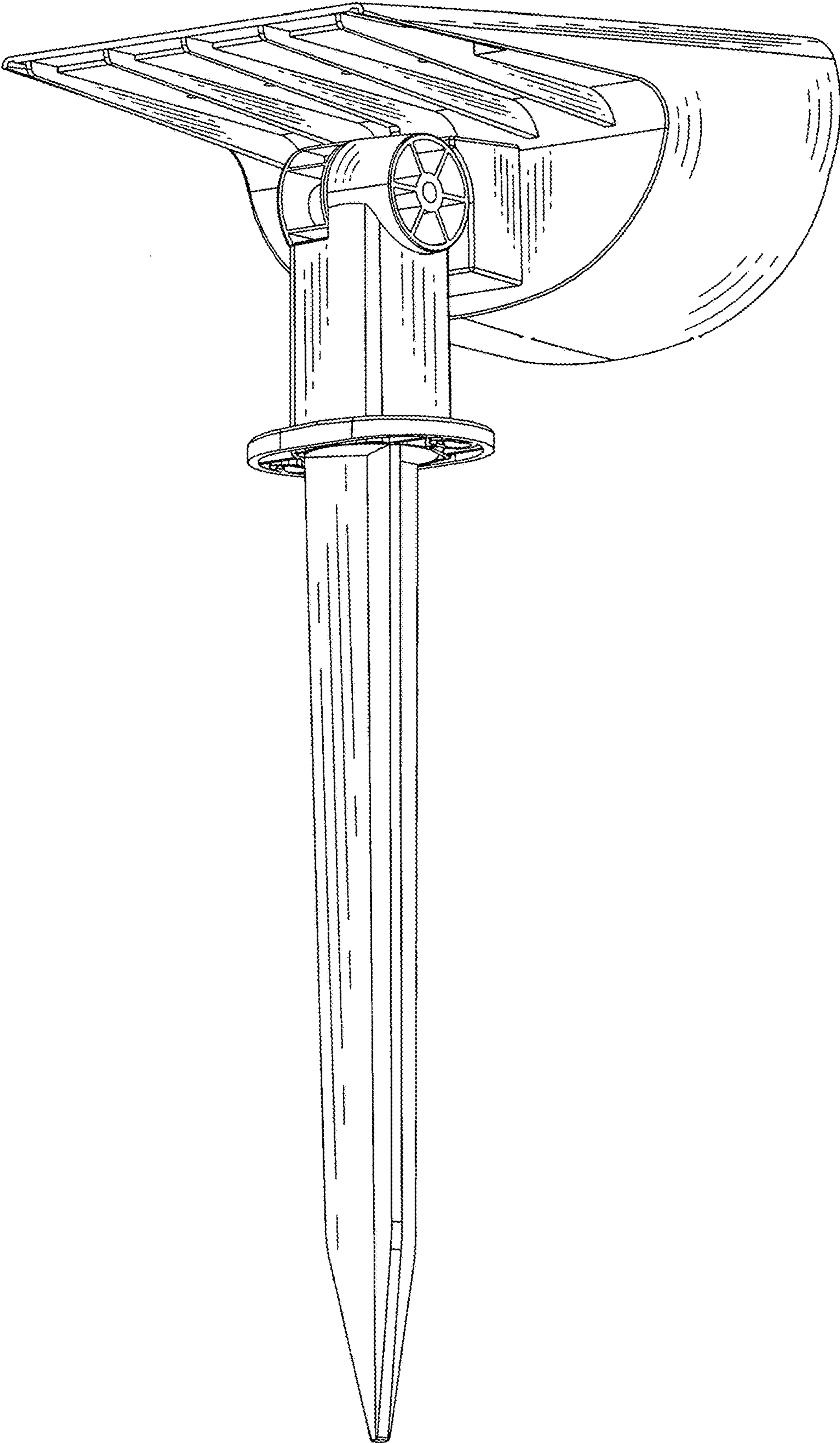


FIG. 8

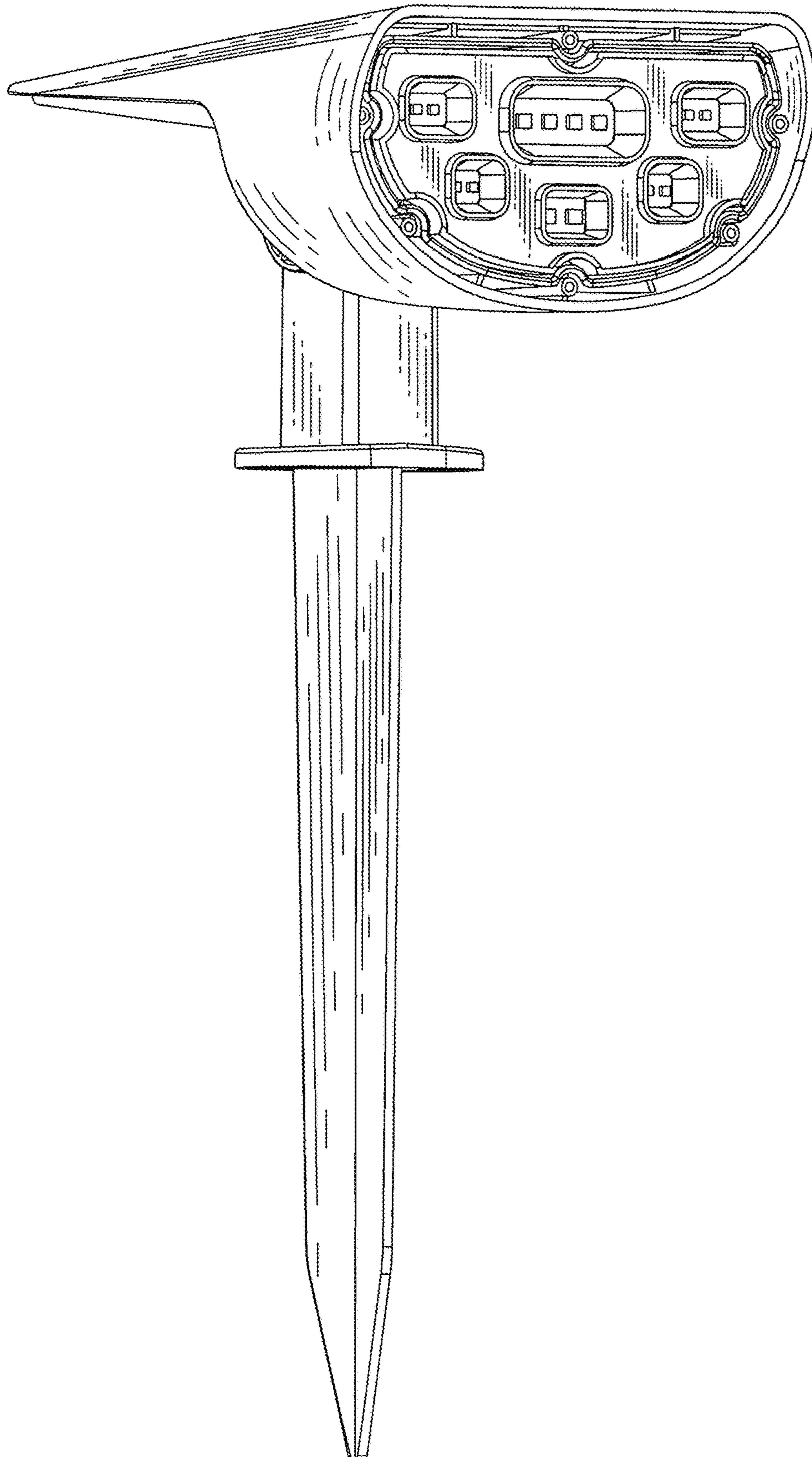


FIG. 9