



US00D921260S

(12) **United States Design Patent**
Ke

(10) **Patent No.:** **US D921,260 S**
(45) **Date of Patent:** **** Jun. 1, 2021**

(54) **FLAT PANEL LIGHT**
(71) Applicant: **SHENZHEN NEEWER TECHNOLOGY CO. LTD**, Shenzhen (CN)
(72) Inventor: **Yan Ke**, Shenzhen (CN)
(73) Assignee: **SHENZHEN NEEWER TECHNOLOGY CO. LTD**, Shenzhen (CN)
(**) Term: **15 Years**

(21) Appl. No.: **29/761,417**
(22) Filed: **Dec. 9, 2020**
(51) **LOC (13) Cl.** **26-03**
(52) **U.S. Cl.**
USPC **D26/65**
(58) **Field of Classification Search**
USPC D26/61, 63, 64, 118, 120
CPC F21V 17/02; F21V 21/08; F21V 21/26;
F21V 21/06; F21V 21/00; F21W 2131/30;
F21W 2131/10; F21S 8/04; F21S 6/003;
F21S 8/003; F21S 8/00; F21F 6/00
See application file for complete search history.

(56) **References Cited**
U.S. PATENT DOCUMENTS
D645,594 S * 9/2011 Grawe D26/63
D747,526 S * 1/2016 Zhang D26/63

D797,339 S * 9/2017 Wang D26/63
D803,449 S * 11/2017 Xu D26/63
D844,211 S 3/2019 Straus et al.
D861,948 S 10/2019 Xu
D884,243 S * 5/2020 Li D26/63
D884,245 S * 5/2020 Ke D26/65
D901,743 S 11/2020 Wang et al.
2016/0186944 A1 * 6/2016 Park G02F 1/133608
362/97.1

* cited by examiner
Primary Examiner — Brian N. Vinson
(74) *Attorney, Agent, or Firm* — Westbridge IP LLC

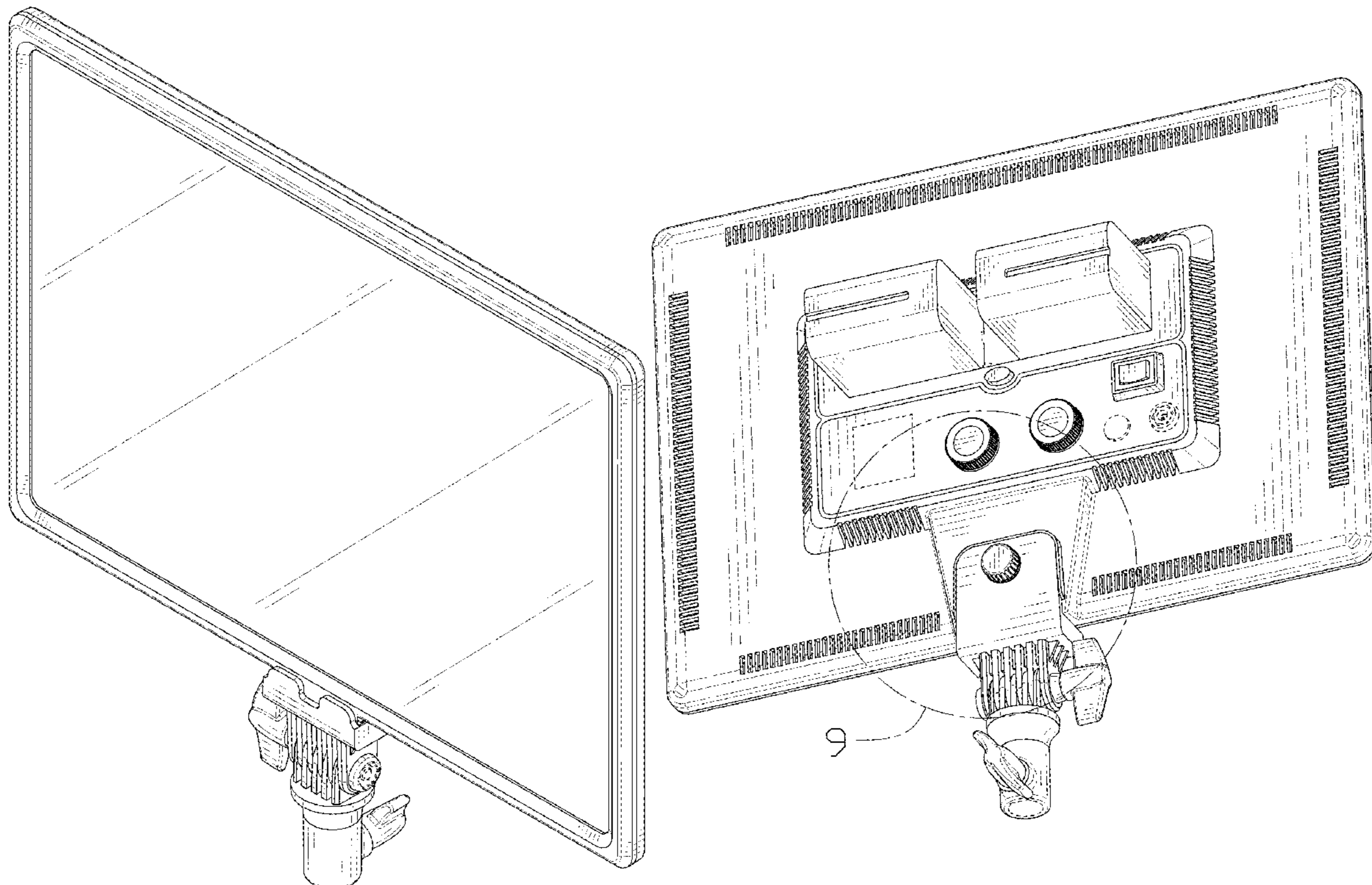
(57) **CLAIM**

The ornamental design for a flat panel light, as shown and described.

DESCRIPTION

FIG. 1 is a front perspective view of a flat panel light showing my new design;
FIG. 2 is a rear perspective view thereof;
FIG. 3 is a front elevational view thereof;
FIG. 4 is a rear elevational view thereof;
FIG. 5 is a left side elevational view thereof;
FIG. 6 is a right side elevational view thereof;
FIG. 7 is a top plan view thereof;
FIG. 8 is a bottom plan view thereof; and,
FIG. 9 is an enlarged view of portion 9 of FIG. 2.
The broken lines in the drawings illustrate the portions of the flat panel light which form no part of the claimed design.

1 Claim, 9 Drawing Sheets



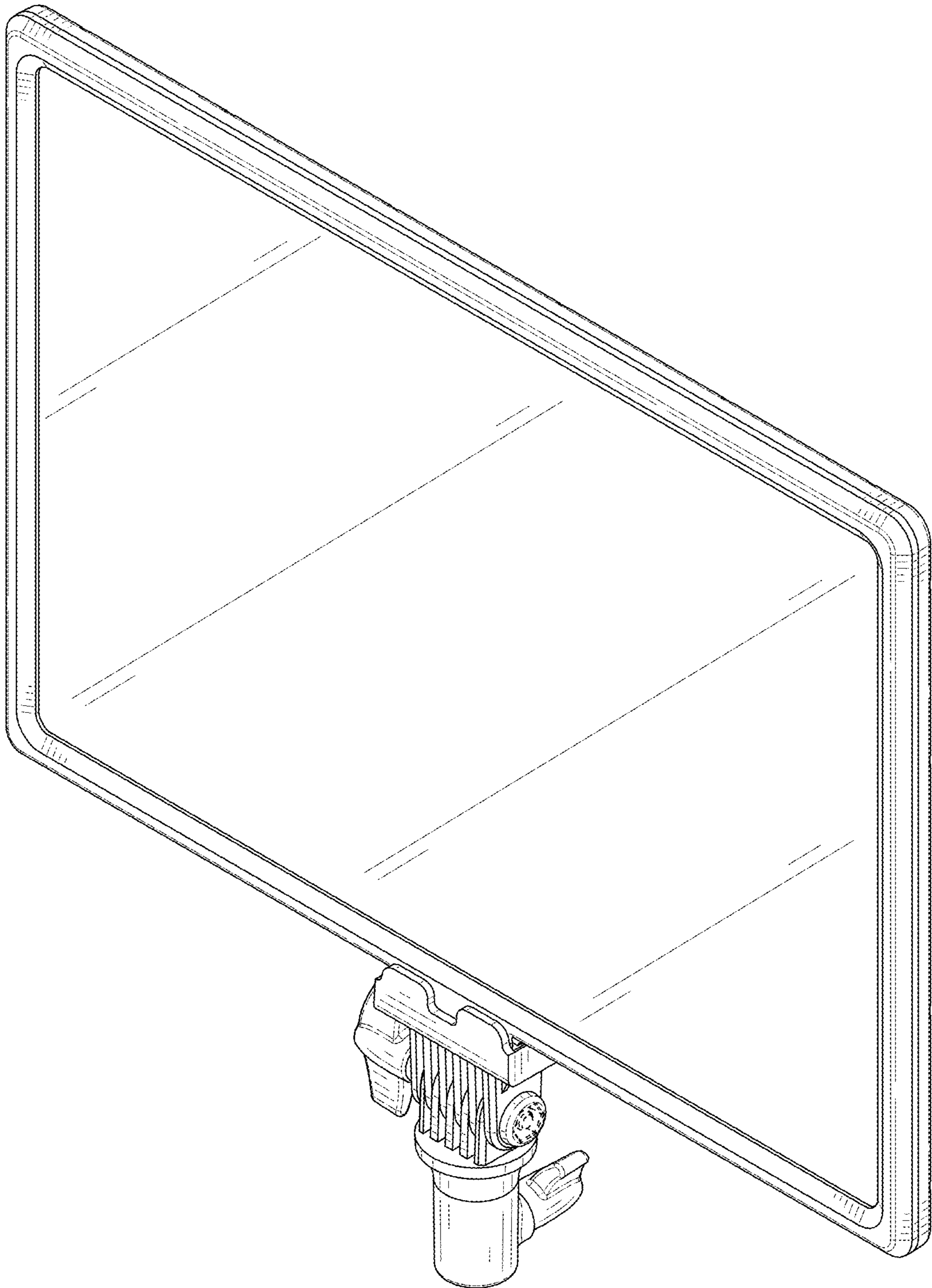


FIG. 1

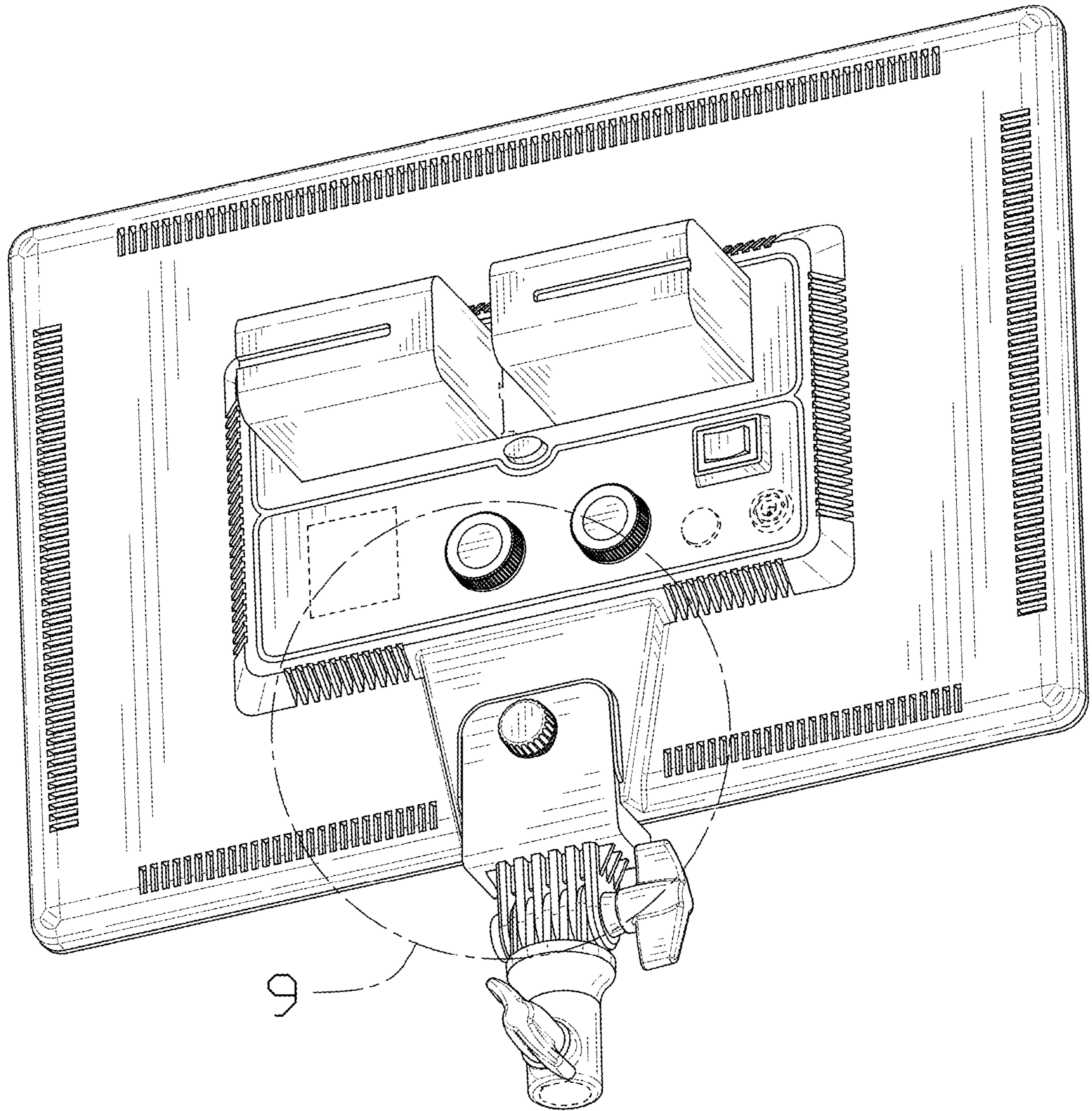


FIG. 2

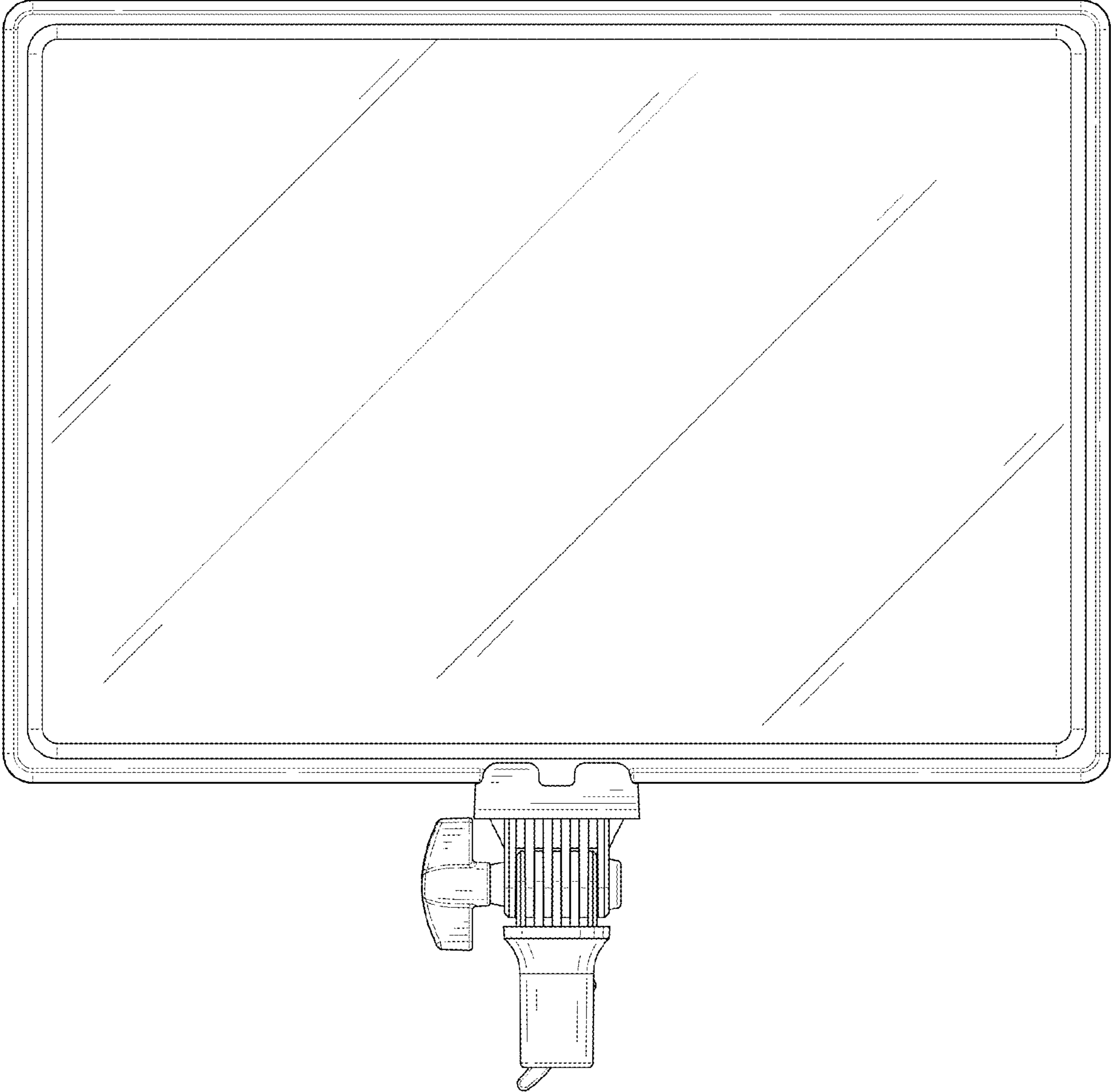


FIG. 3

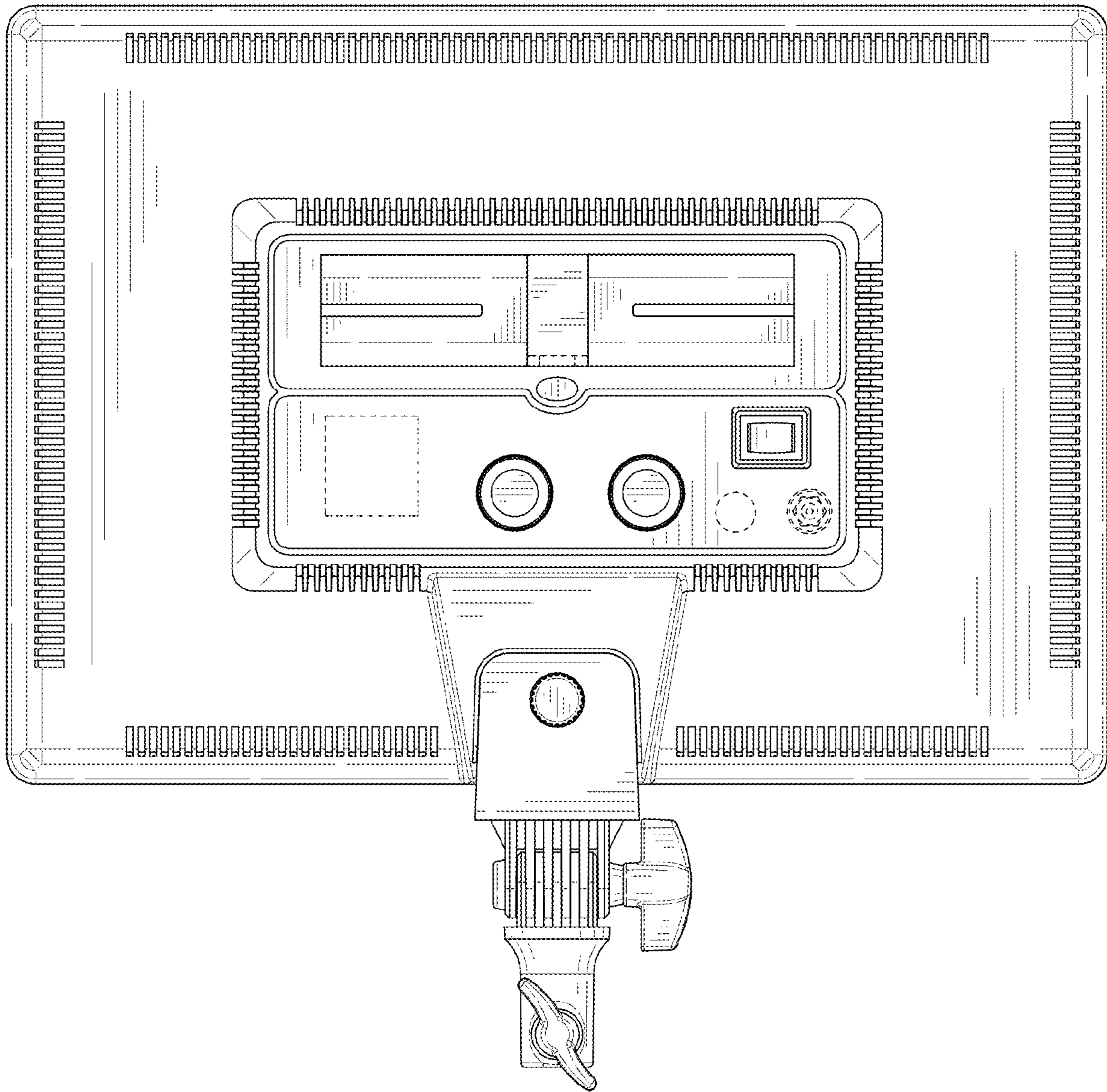


FIG. 4

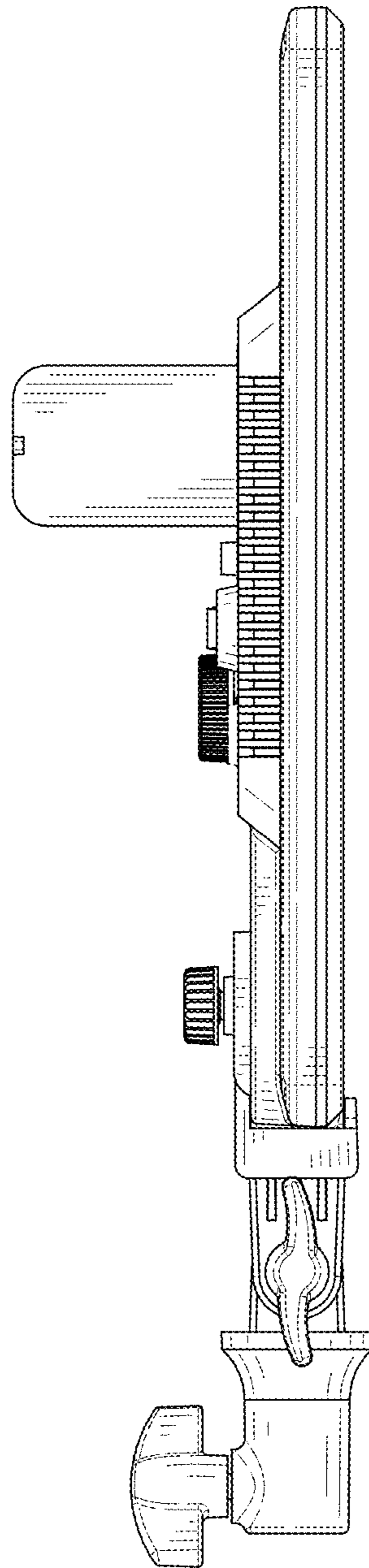


FIG. 5

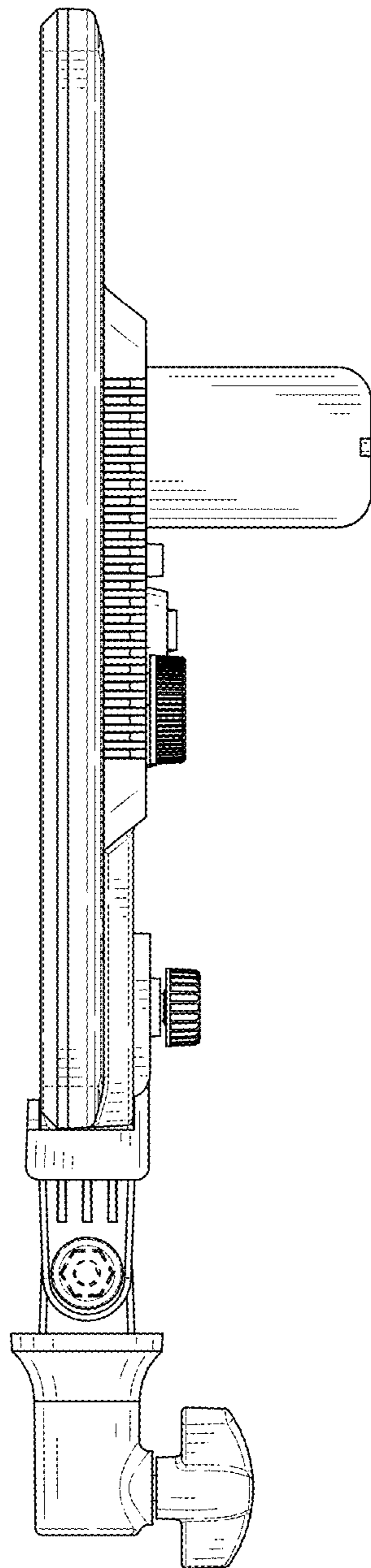


FIG. 6

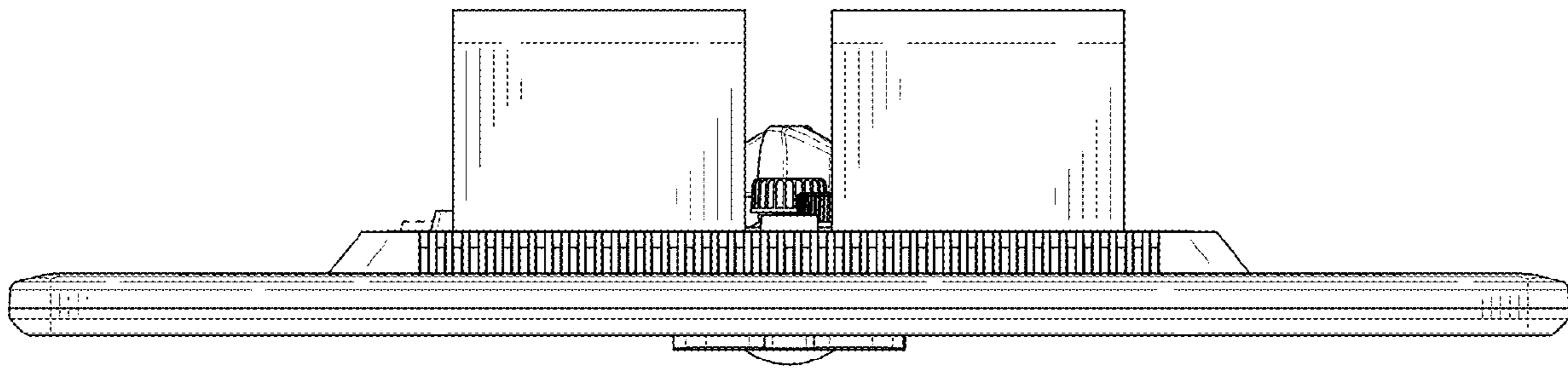


FIG. 7

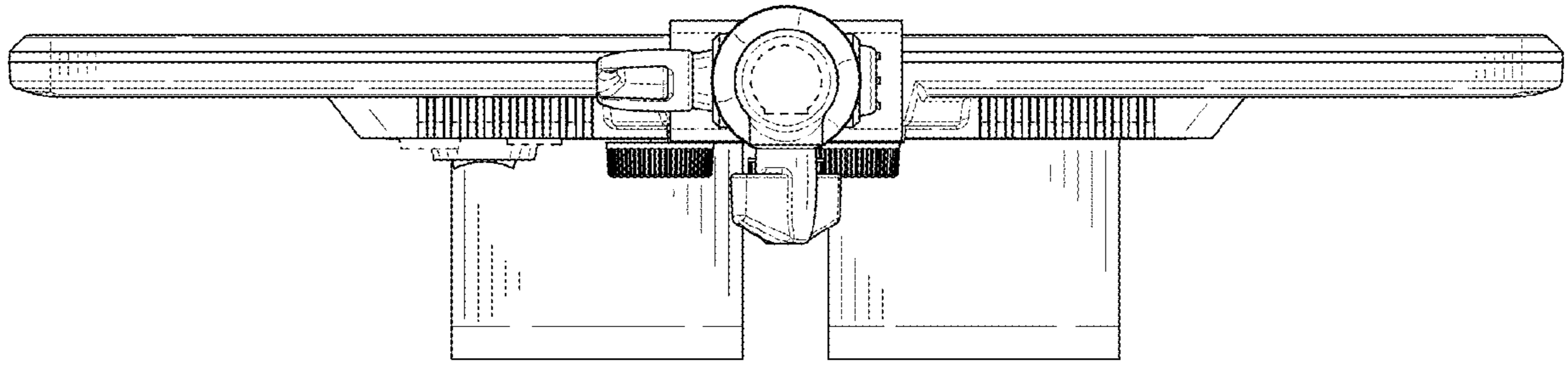


FIG. 8

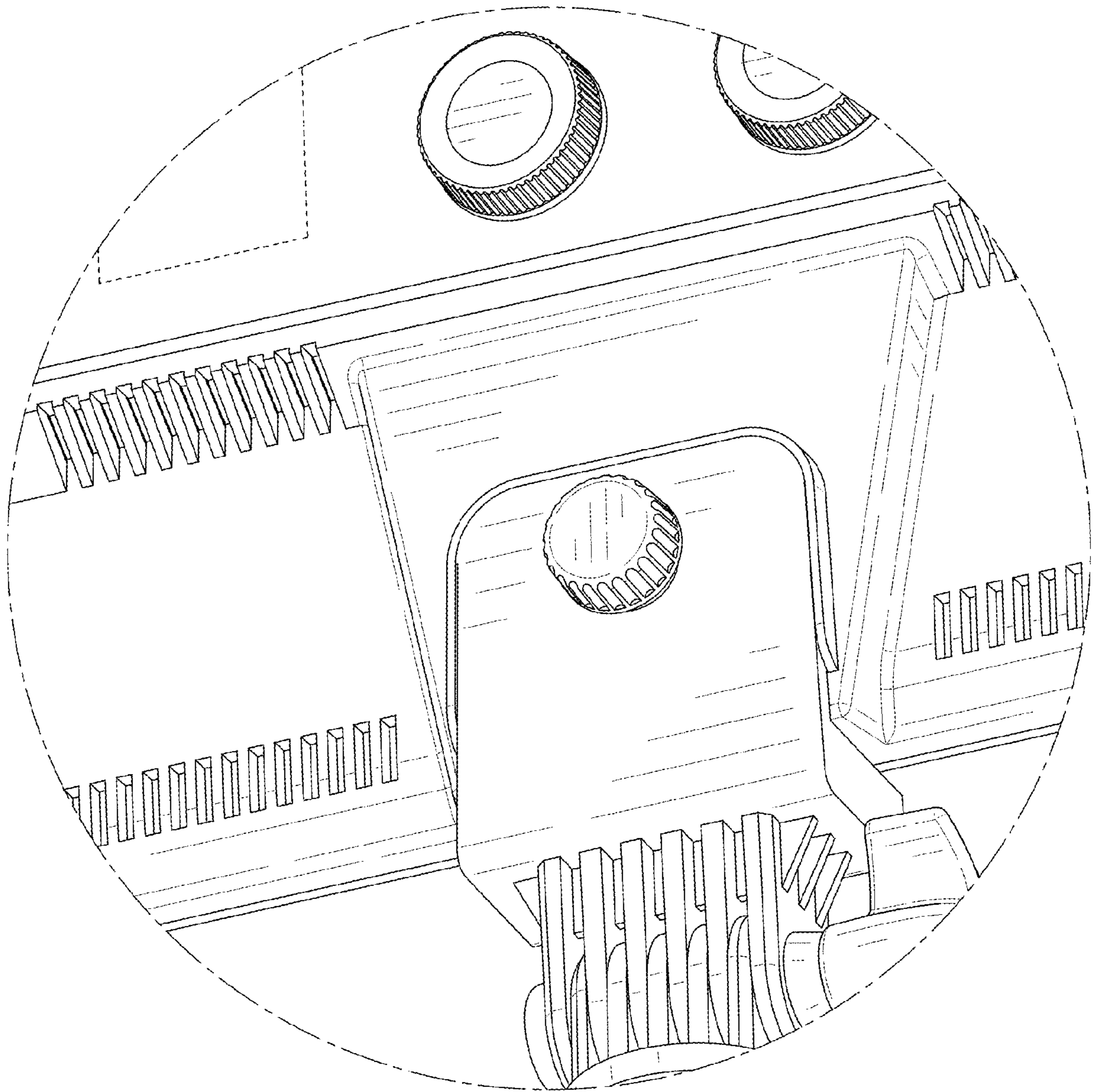


FIG. 9