



US00D921259S

(12) **United States Design Patent** (10) **Patent No.:** **US D921,259 S**
Smith et al. (45) **Date of Patent:** **** Jun. 1, 2021**

(54) **TILTABLE SPOTLIGHT AND BASE**
(71) Applicant: **WHELEN ENGINEERING COMPANY, INC.**, Chester, CT (US)
(72) Inventors: **Kevin M. Smith**, Chester, CT (US);
David J. Sousa, Ivoryton, CT (US);
Sean Brown, Cromwell, CT (US);
Tomasz J. Walczak, Coventry, CT (US)
(73) Assignee: **WHELEN ENGINEERING COMPANY, INC.**, Chester, CT (US)
(**) Term: **15 Years**
(21) Appl. No.: **29/761,649**
(22) Filed: **Dec. 10, 2020**

Related U.S. Application Data

(63) Continuation of application No. 29/664,113, filed on Sep. 21, 2018, now Pat. No. Des. 905,311, which is a continuation-in-part of application No. 29/650,221, filed on Jun. 5, 2018, now abandoned.
(51) **LOC (13) Cl.** **26-03**
(52) **U.S. Cl.**
USPC **D26/63**
(58) **Field of Classification Search**
USPC D26/61, 62, 63
CPC F21V 21/02; F21W 2121/00; F21W 2131/30; F21W 2131/406
See application file for complete search history.

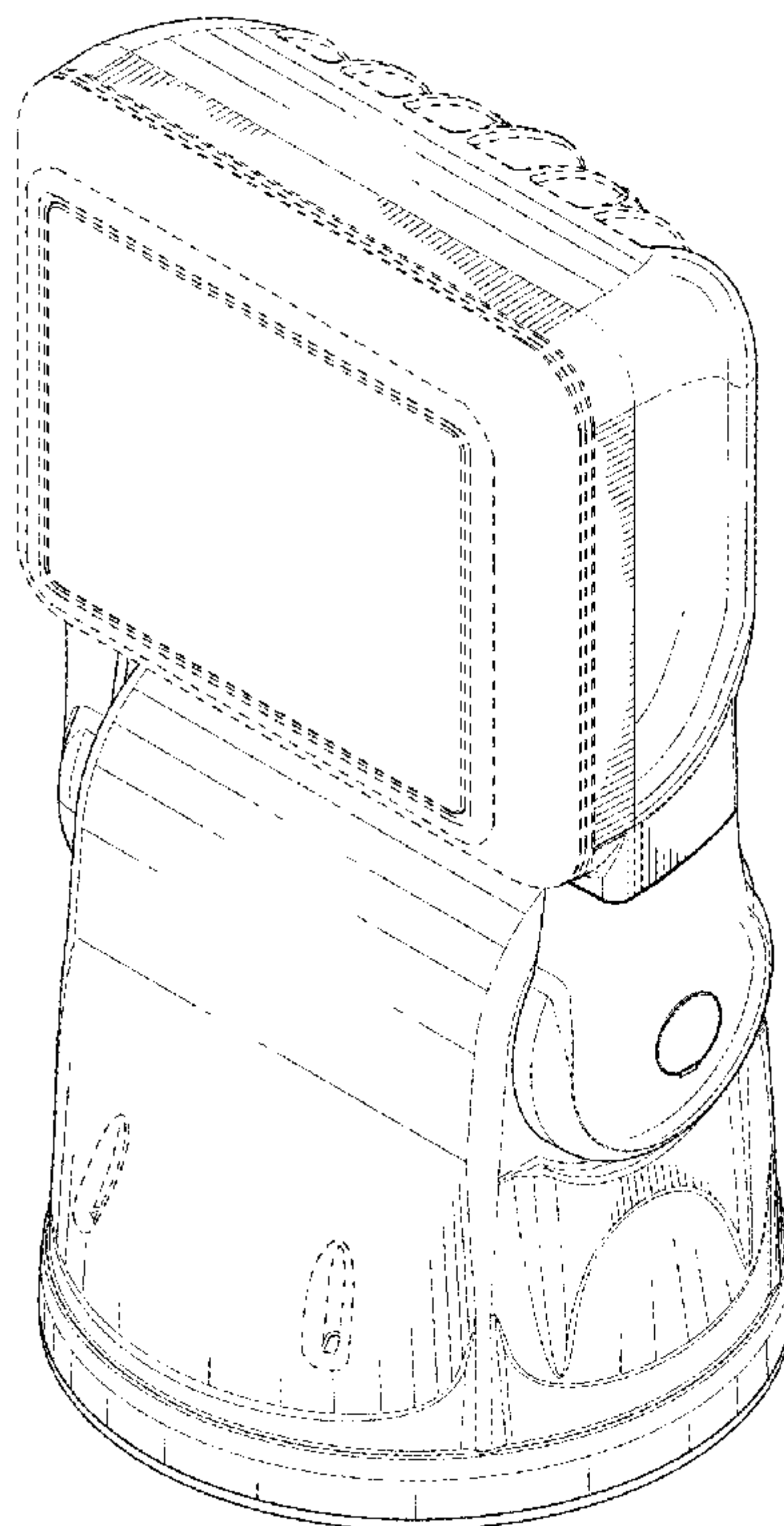
(56) **References Cited**
U.S. PATENT DOCUMENTS
D500,379 S * 12/2004 Kunzler D26/63
D699,878 S * 2/2014 Quadri D26/63
D788,964 S * 6/2017 Peard D26/61
D821,012 S * 6/2018 Gong D26/63
D859,715 S * 9/2019 Windom D26/63
* cited by examiner
Primary Examiner — Brian N. Vinson
(74) *Attorney, Agent, or Firm* — Dilworth IP, LLC

(57) **CLAIM**
The ornamental design for a tiltable spotlight and base, as shown and described.

DESCRIPTION

FIG. 1 is a perspective view of the spotlight in an upright position on the base;
FIG. 2 is a front elevation view thereof;
FIG. 3 is a right-facing side elevation view thereof;
FIG. 4 is a left-facing side elevation view thereof;
FIG. 5 is a plan view thereof;
FIG. 6 is a rear elevation view thereof; and,
FIG. 7 is a rear perspective view thereof.
The bottom is devoid of surface ornamentation, so a bottom view is omitted.
The broken lines showing a screen attachment on the front face of the invention, seen in FIGS. 1, 2, 3, 4, 5, and 7, and the broken lines showing fins on the rear side of the invention, seen in FIGS. 1, 3, 4, 5, 6, and 7 are for illustrative purposes only and form no part of the claimed design.

1 Claim, 7 Drawing Sheets



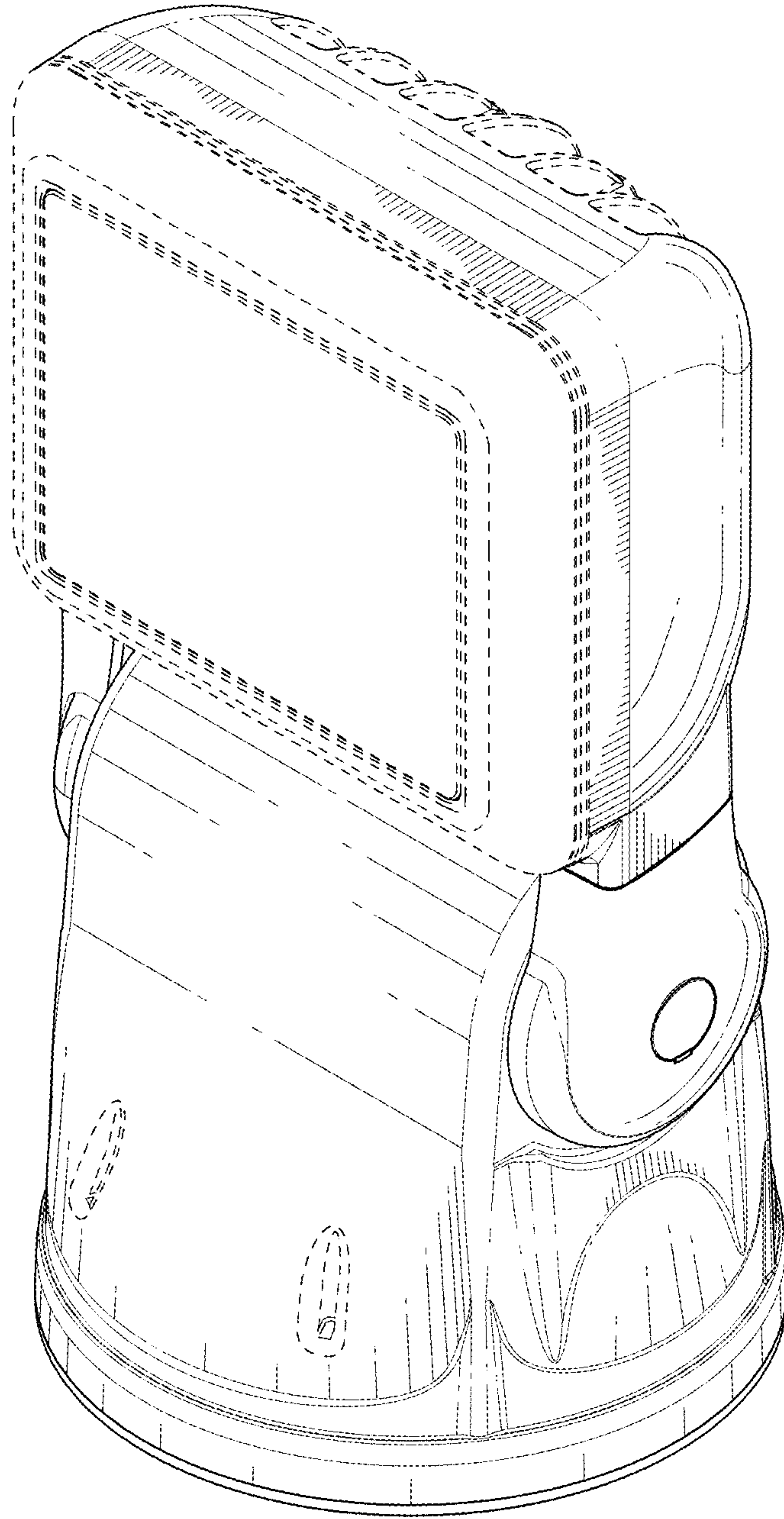


FIG. 1

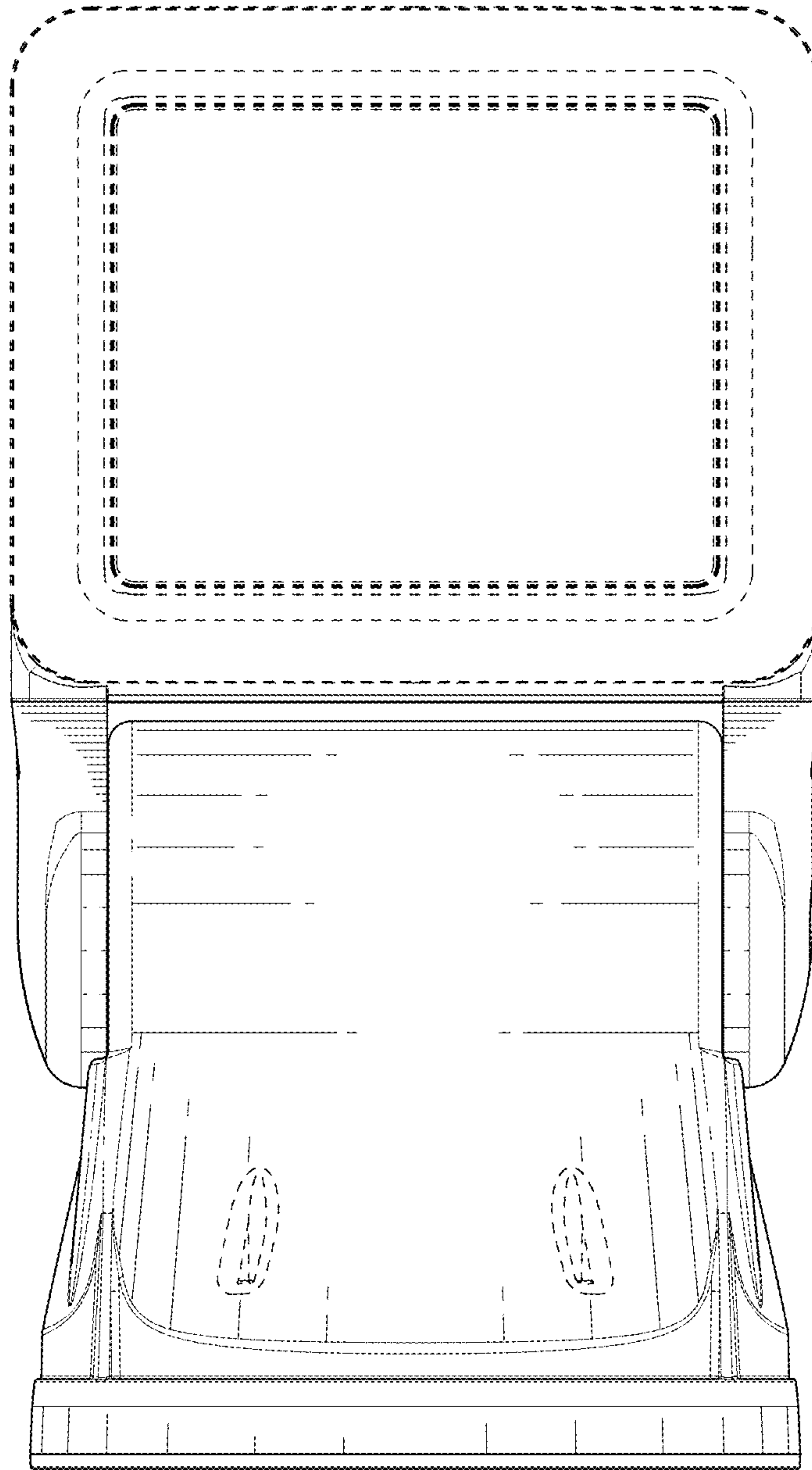


FIG. 2

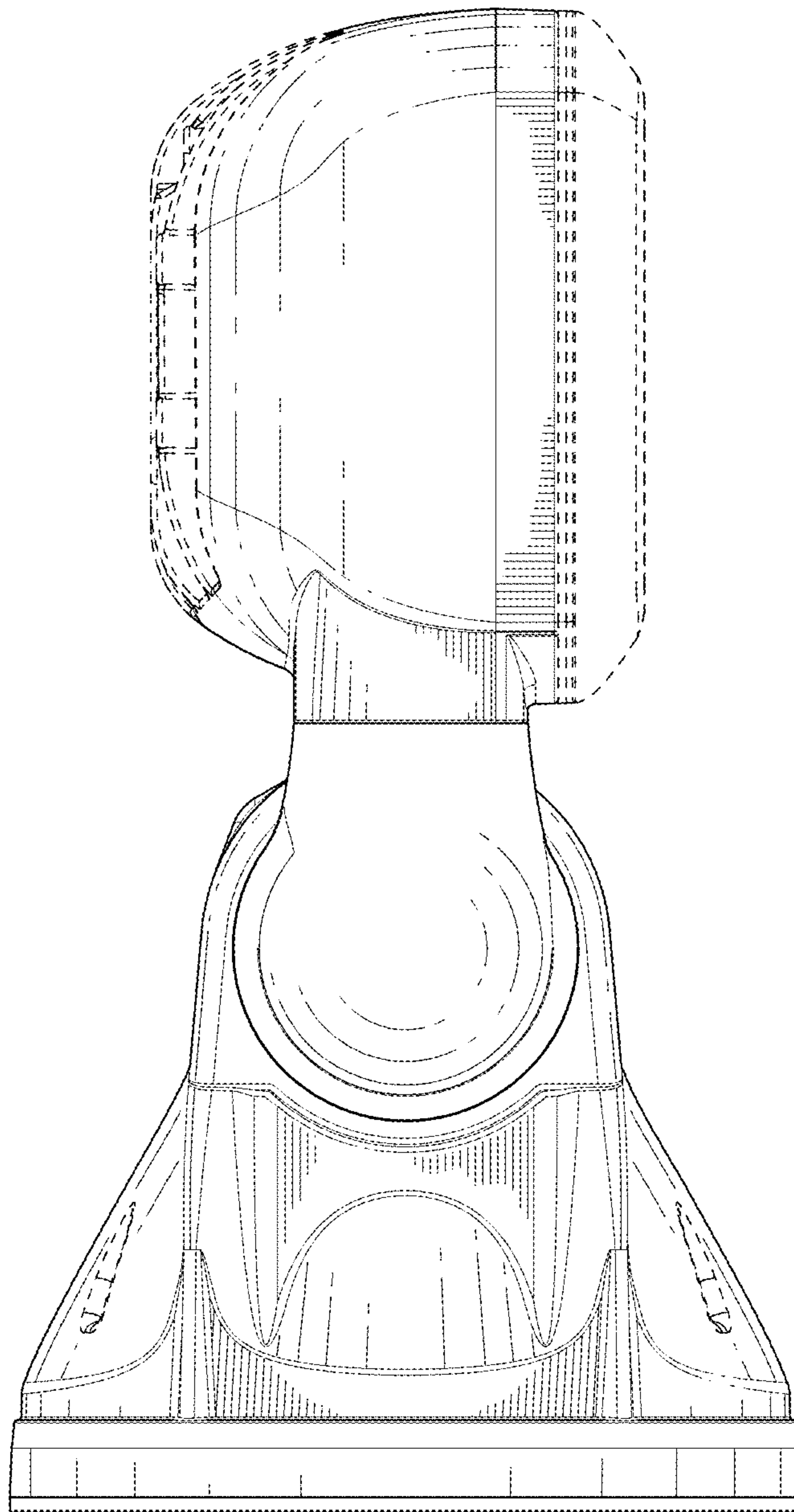


FIG. 3

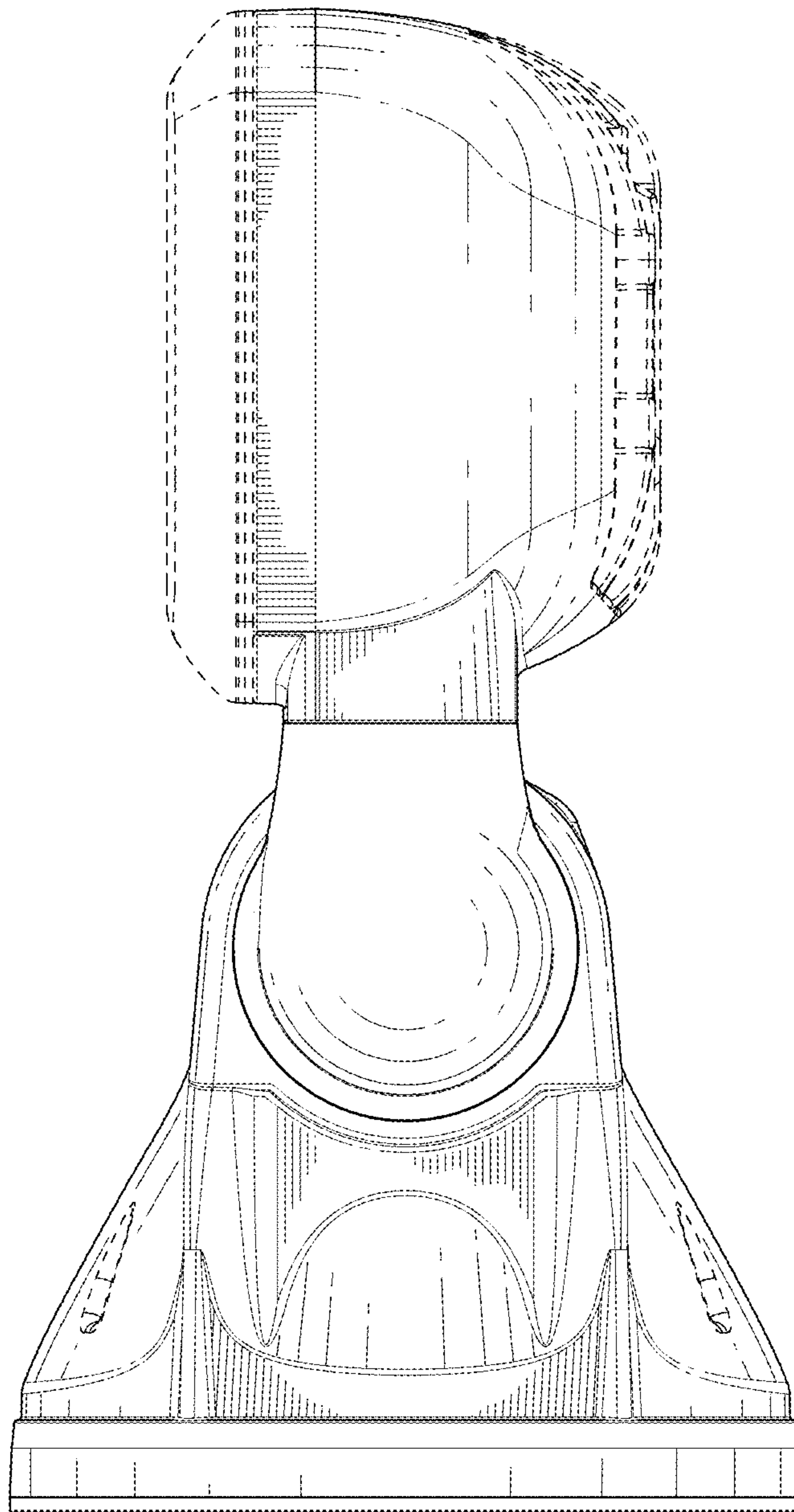


FIG. 4

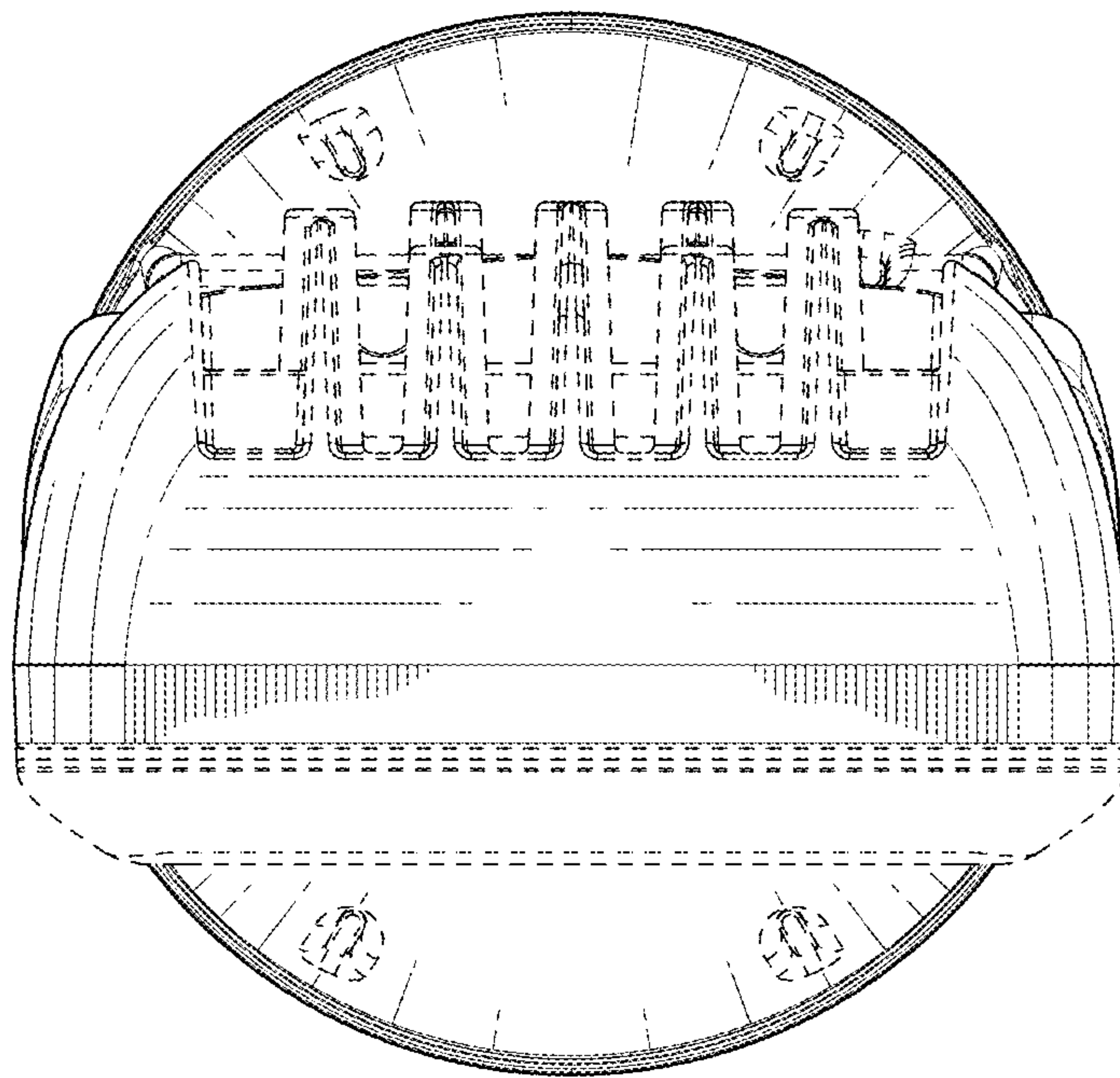


FIG. 5

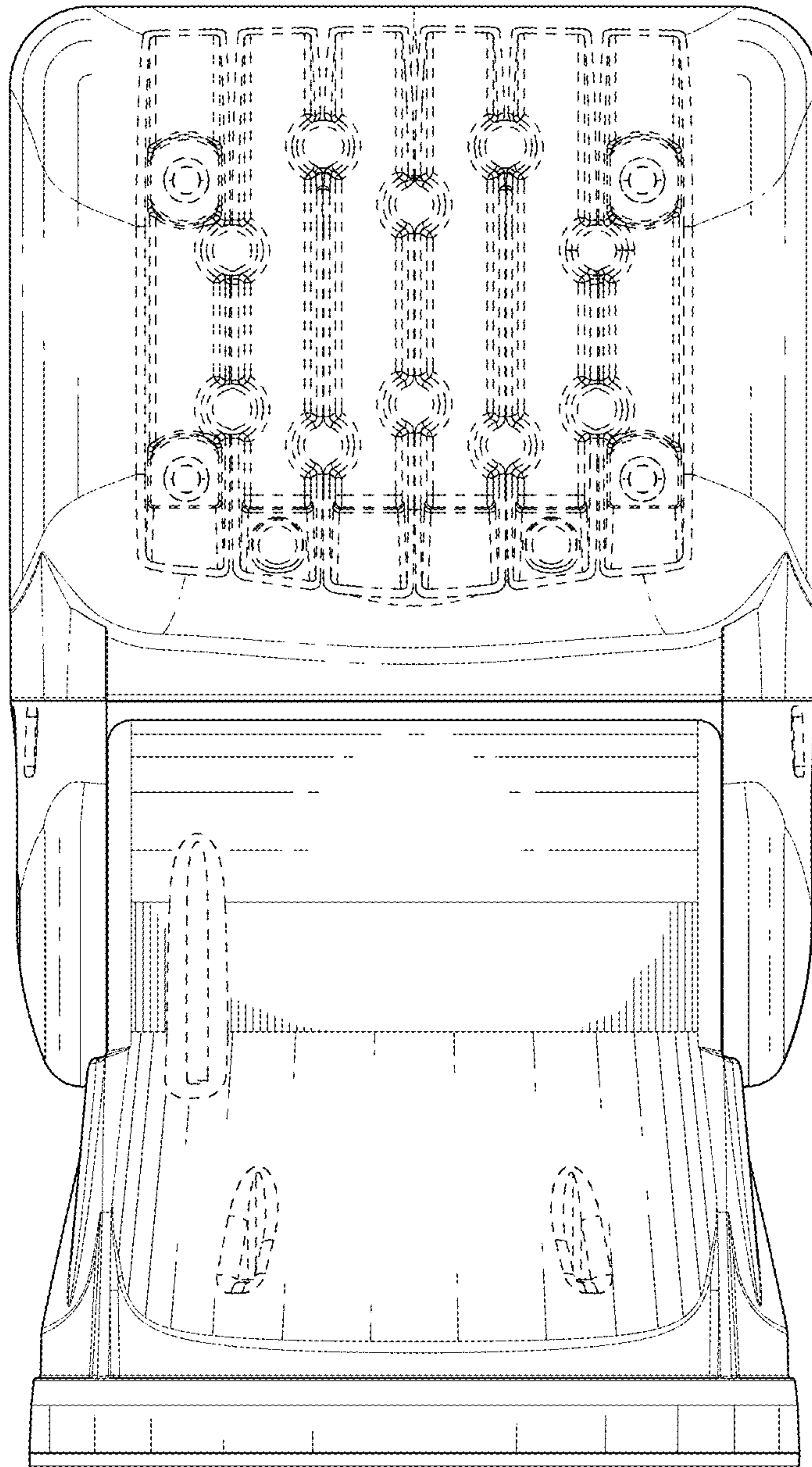


FIG. 6

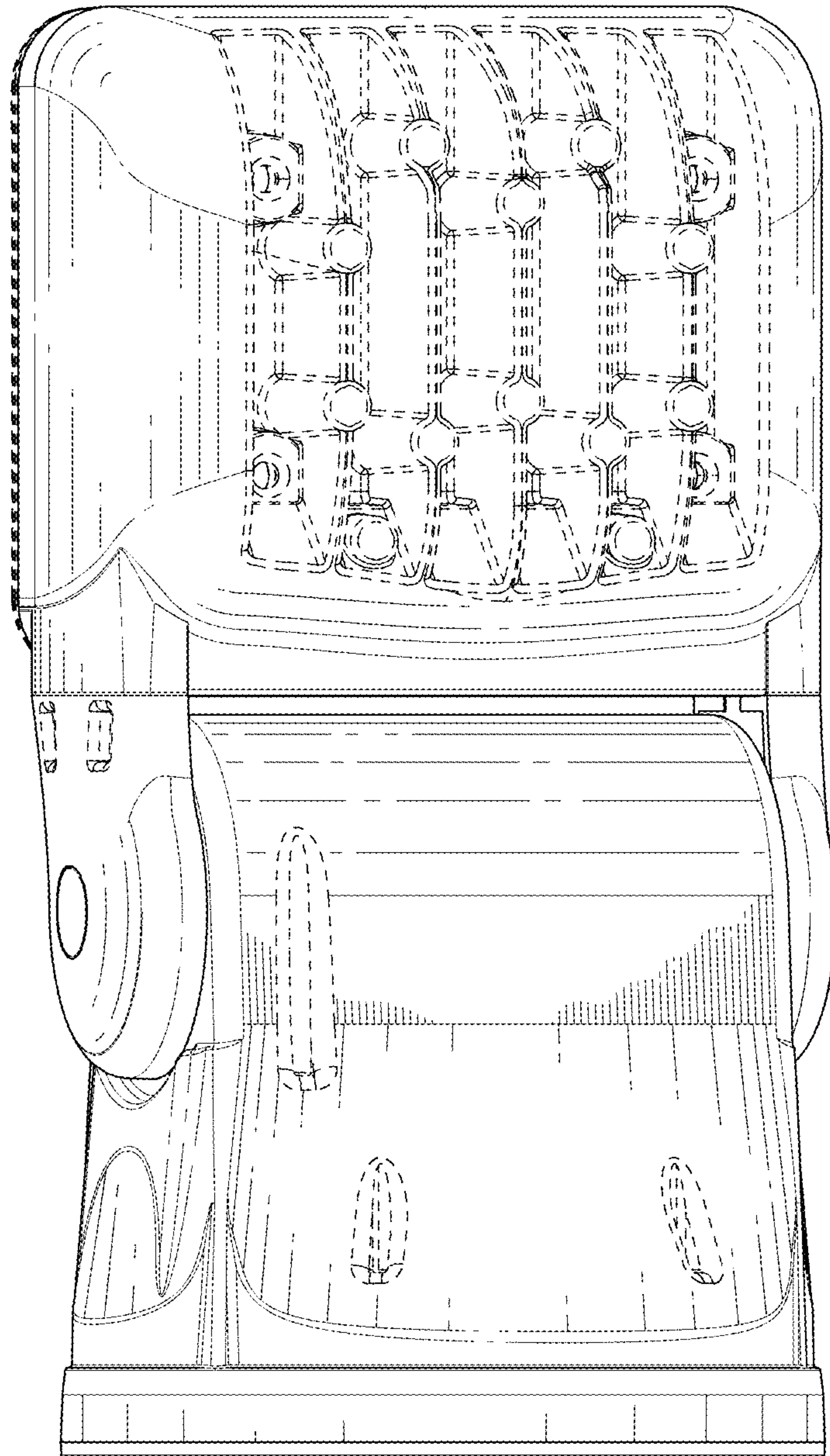


FIG. 7