



US00D921258S

(12) **United States Design Patent**
Xu

(10) **Patent No.:** **US D921,258 S**

(45) **Date of Patent:** **** Jun. 1, 2021**

(54) **FLOOD LIGHT**

(71) Applicant: **Cankun Xu, Jiedong (CN)**

(72) Inventor: **Cankun Xu, Jiedong (CN)**

(**) Term: **15 Years**

(21) Appl. No.: **29/752,536**

(22) Filed: **Sep. 28, 2020**

(51) **LOC (13) Cl.** **26-03**

(52) **U.S. Cl.**
USPC **D26/63**

(58) **Field of Classification Search**
USPC D26/61, 63, 64, 118, 120
CPC F21V 17/02; F21V 21/08; F21V 21/26;
F21V 21/06; F21V 21/00; F21W 2131/30;
F21W 2131/10; F21S 8/04; F21S 6/003;
F21S 8/003; F21S 8/00; F21F 6/00
See application file for complete search history.

(56) **References Cited**

U.S. PATENT DOCUMENTS

D577,141 S 9/2008 Monroe
D656,662 S * 3/2012 Lehman D26/118
D714,481 S * 9/2014 Moeller D26/63

D720,485 S * 12/2014 Gough D26/63
D759,291 S * 6/2016 Chen D26/120
D804,074 S * 11/2017 Fang D26/65
D853,005 S 7/2019 Li et al.
D855,234 S 7/2019 Qiu
D862,758 S * 10/2019 Zhu D26/63
D893,788 S 8/2020 Li
D910,895 S * 2/2021 Deurwaarder D26/63

* cited by examiner

Primary Examiner — Brian N. Vinson

(74) *Attorney, Agent, or Firm* — Rumit Ranjit Kanakia

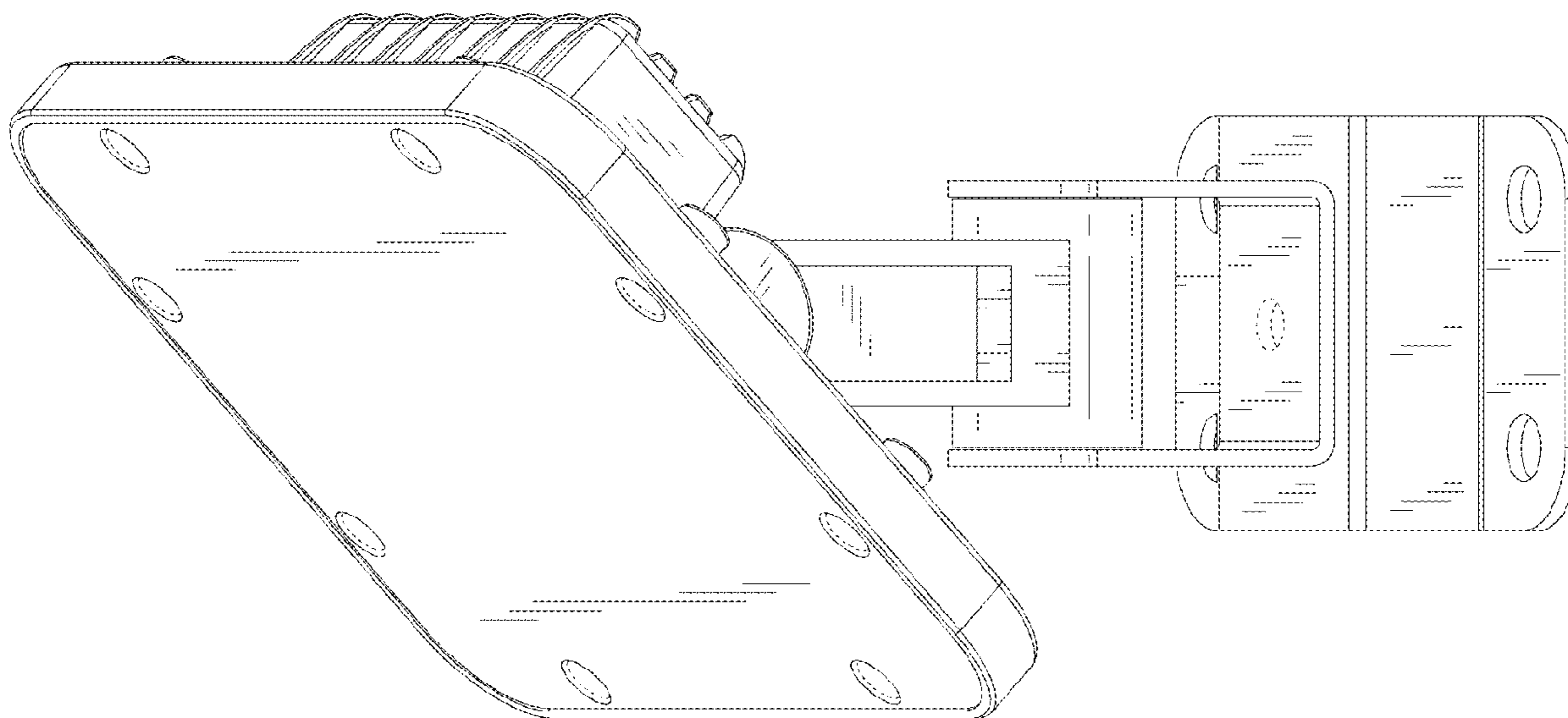
(57) **CLAIM**

I claim the ornamental design for a flood light, as shown and described.

DESCRIPTION

FIG. 1 is a perspective view of a flood light showing my new design;
FIG. 2 is a front view thereof;
FIG. 3 is a back view thereof;
FIG. 4 is a right-side view thereof;
FIG. 5 is a left-side view thereof;
FIG. 6 is a top view thereof; and,
FIG. 7 is a bottom view thereof.
The broken lines are for the purpose of illustrating portions of the article that form no part of the claim.

1 Claim, 7 Drawing Sheets



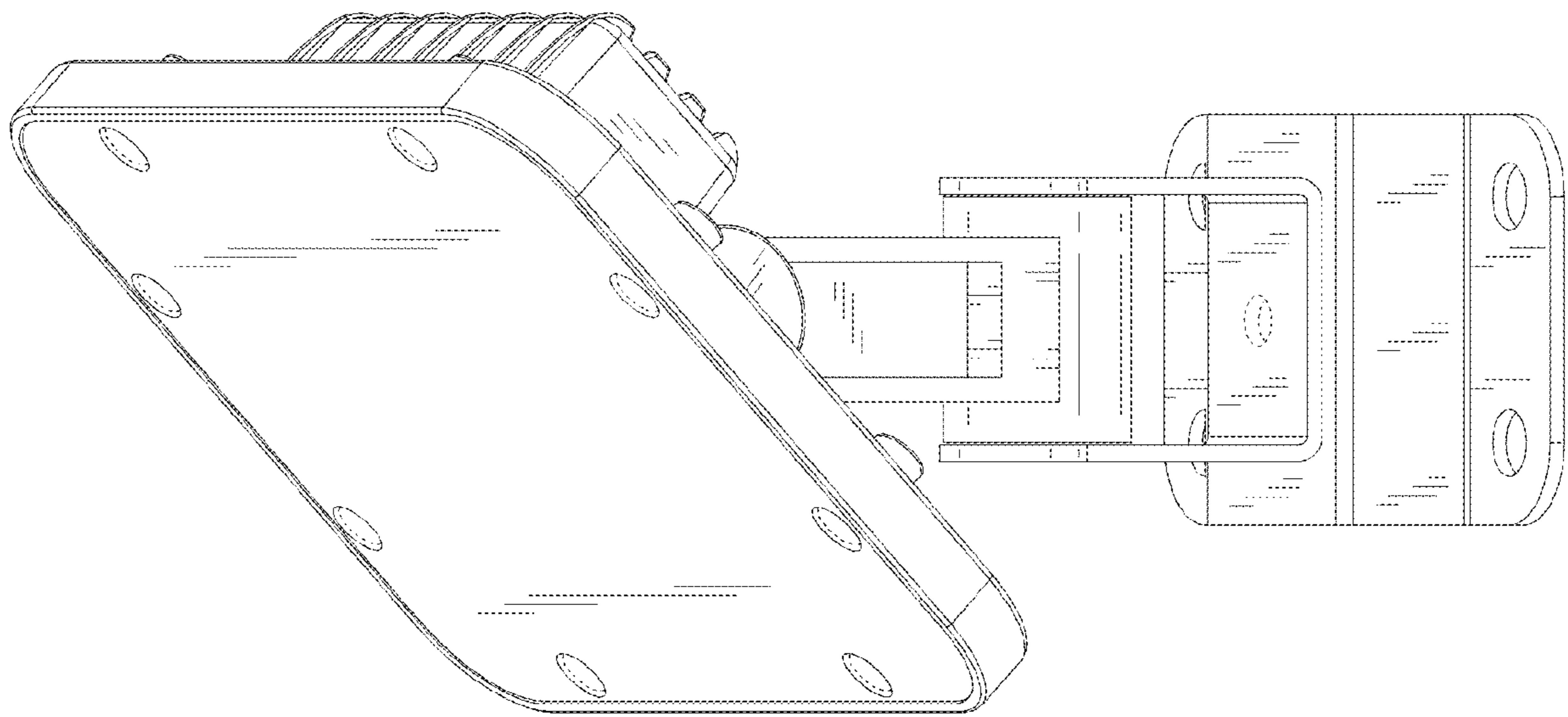


FIG. 1

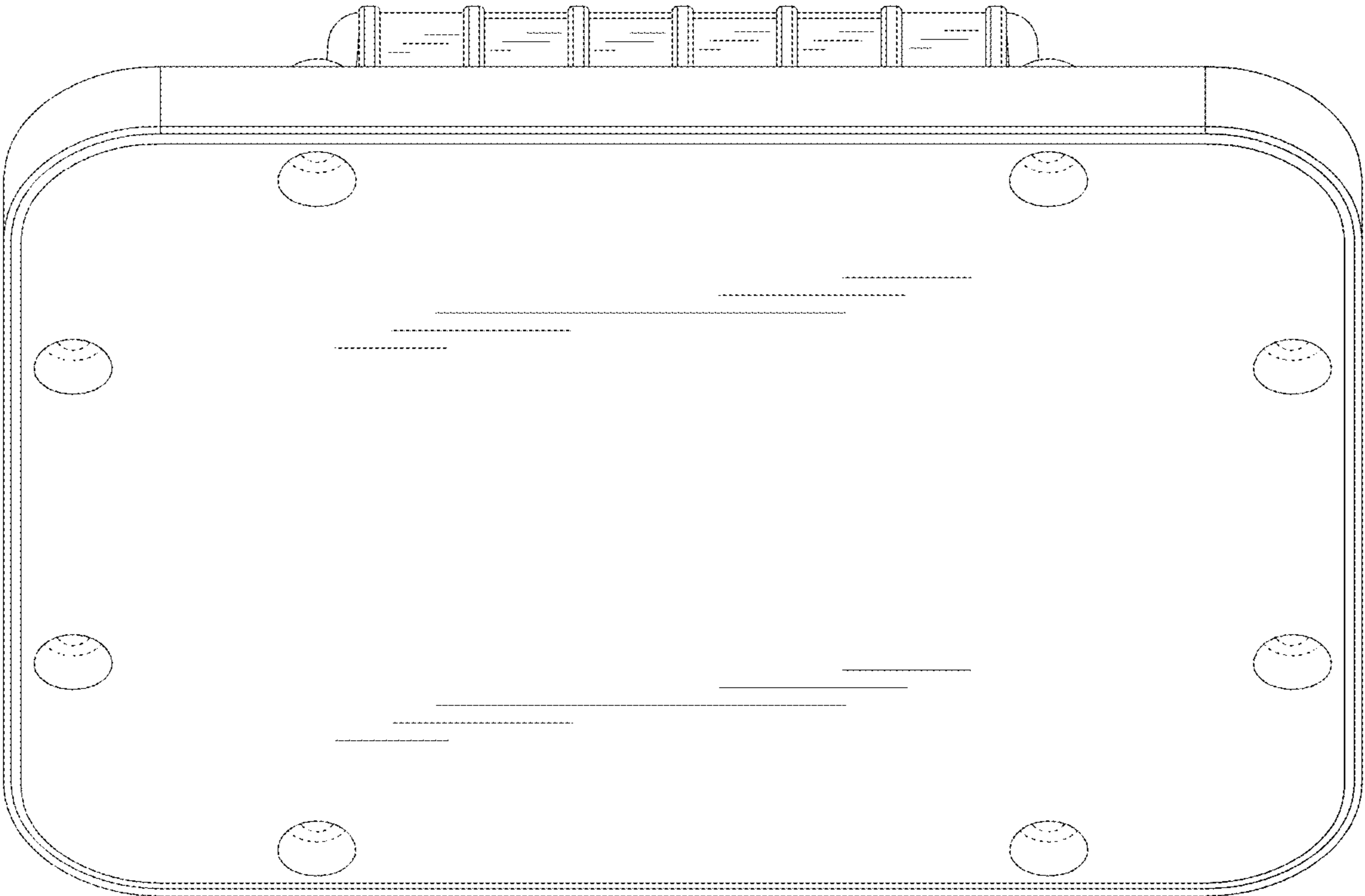


FIG. 2

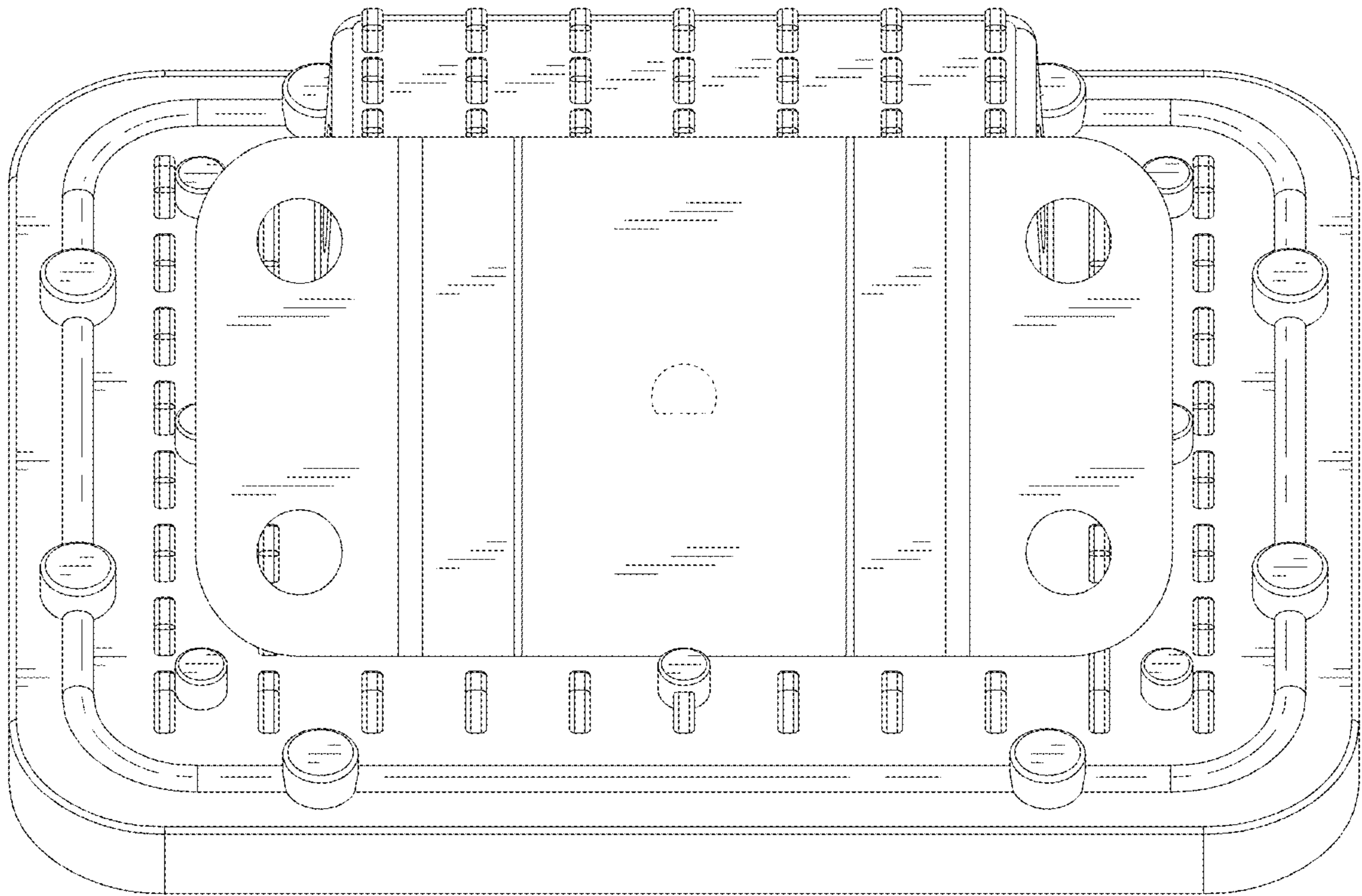


FIG. 3

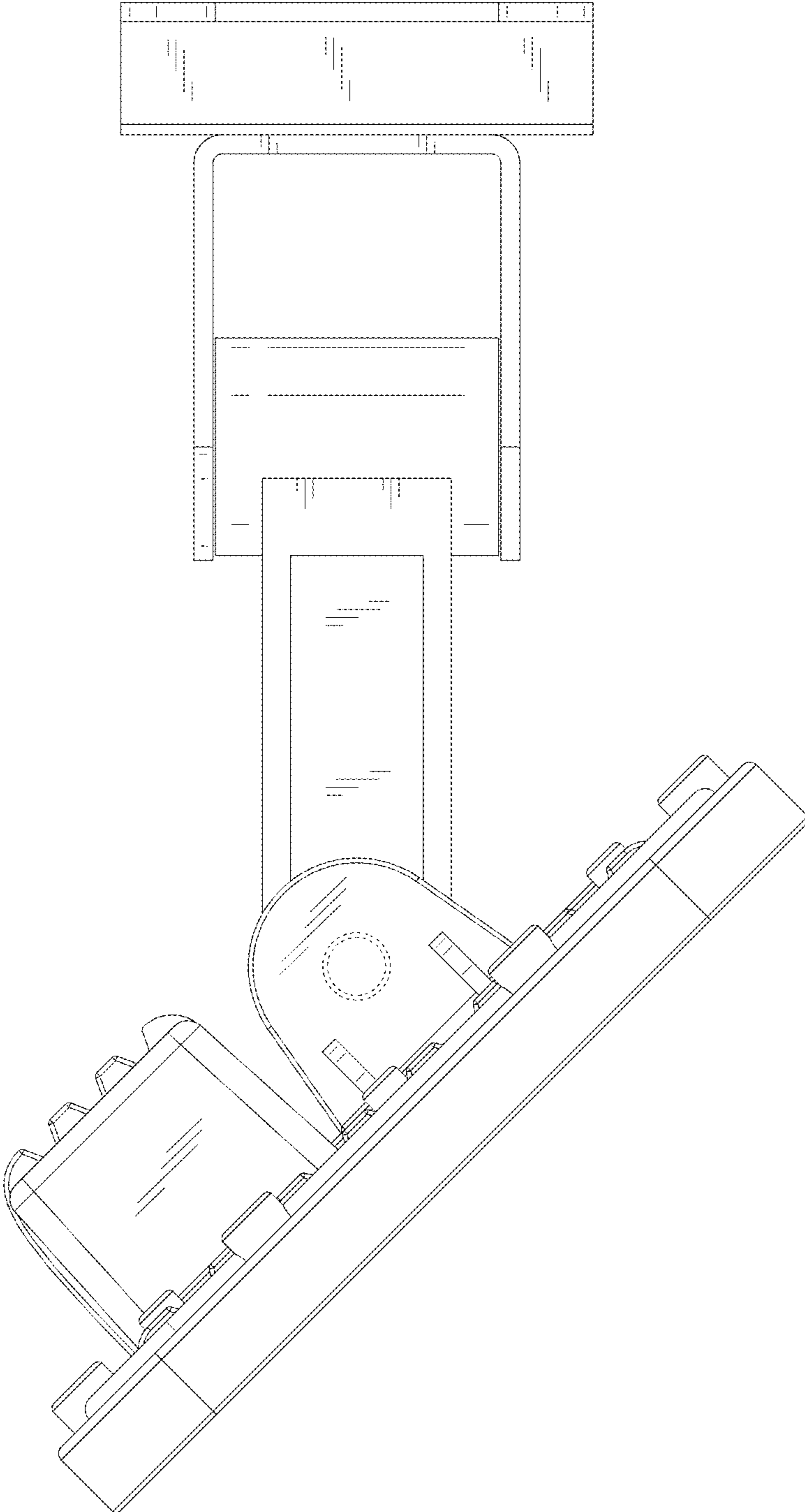


FIG. 4

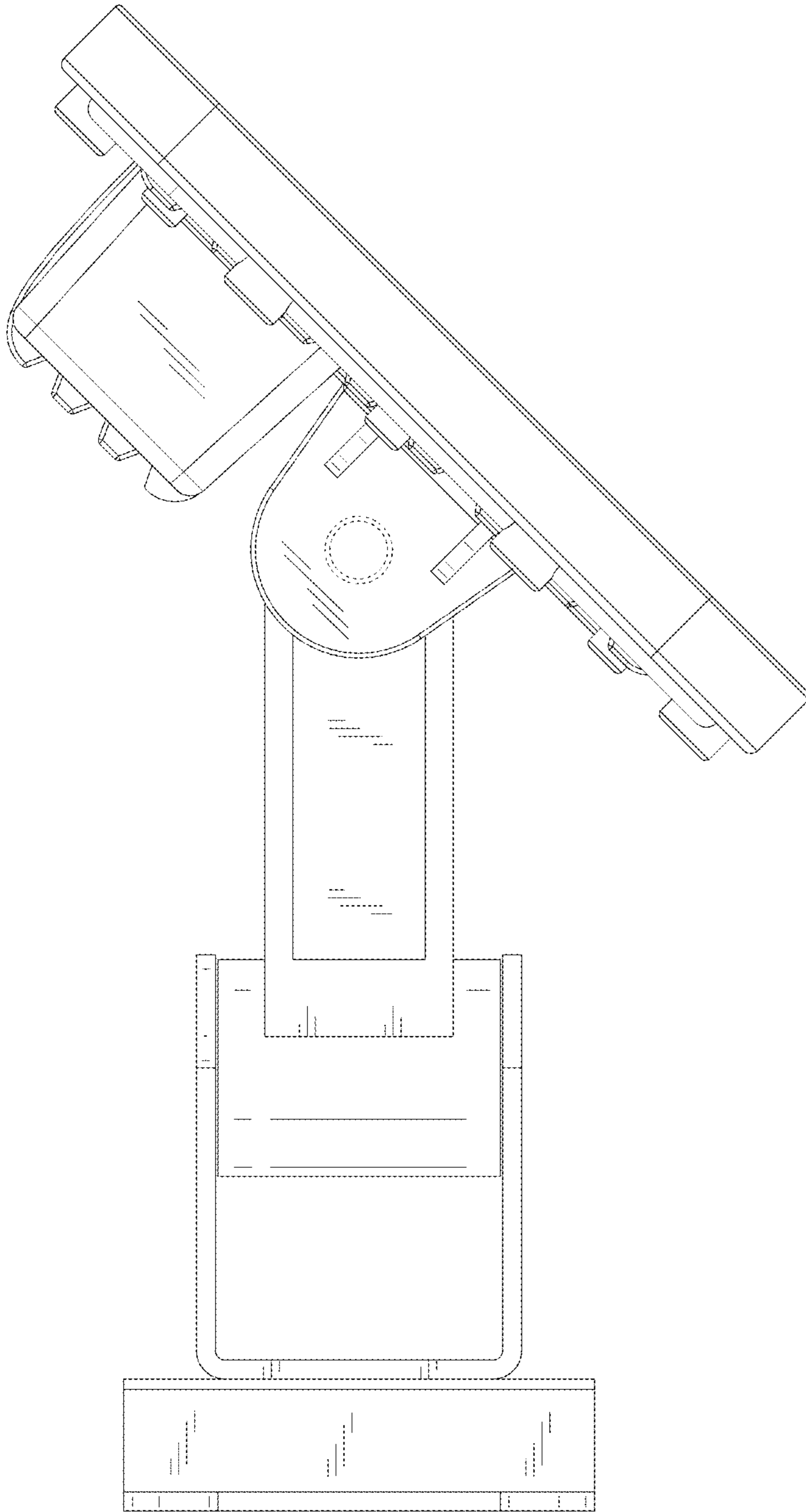


FIG. 5

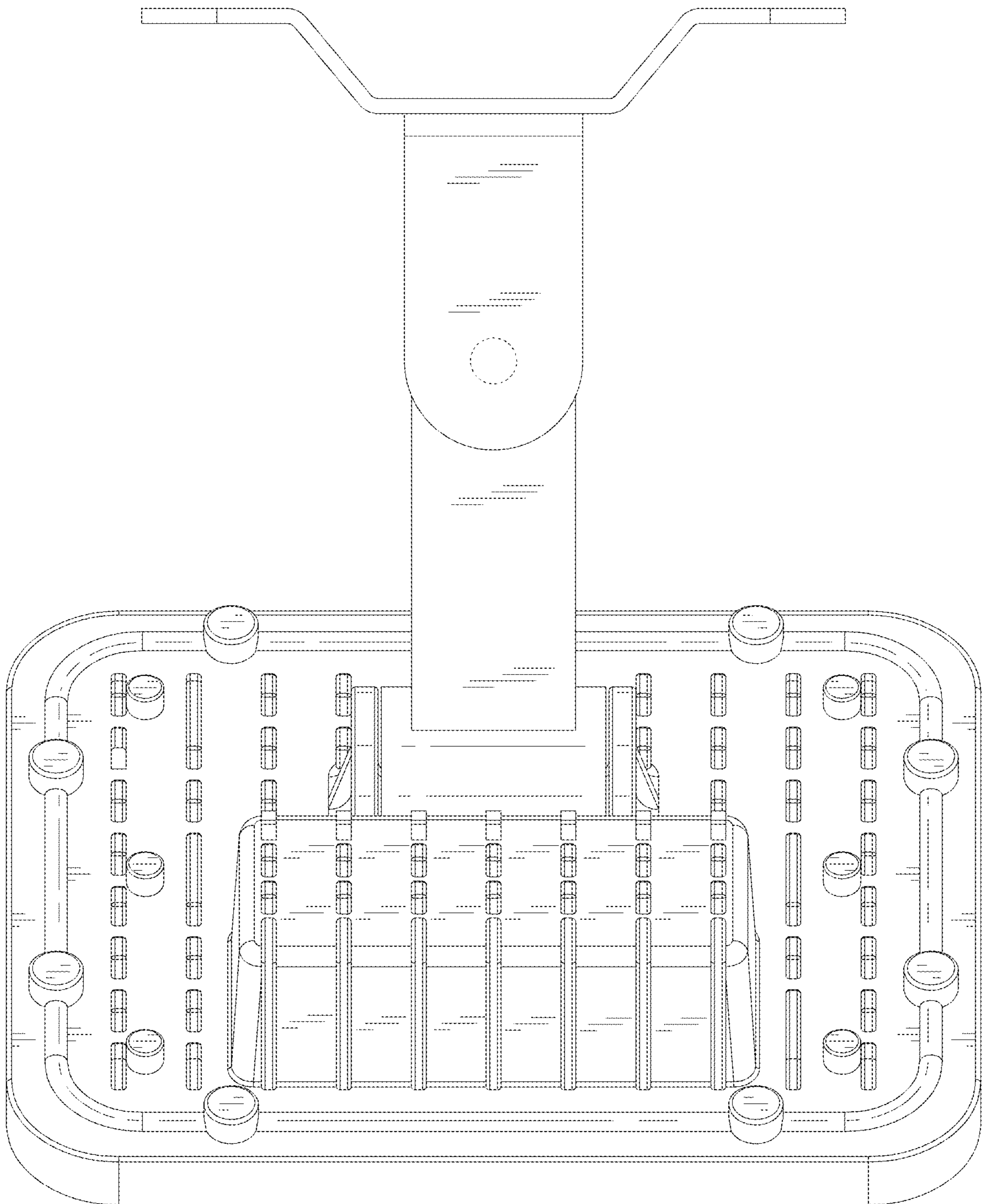


FIG. 6

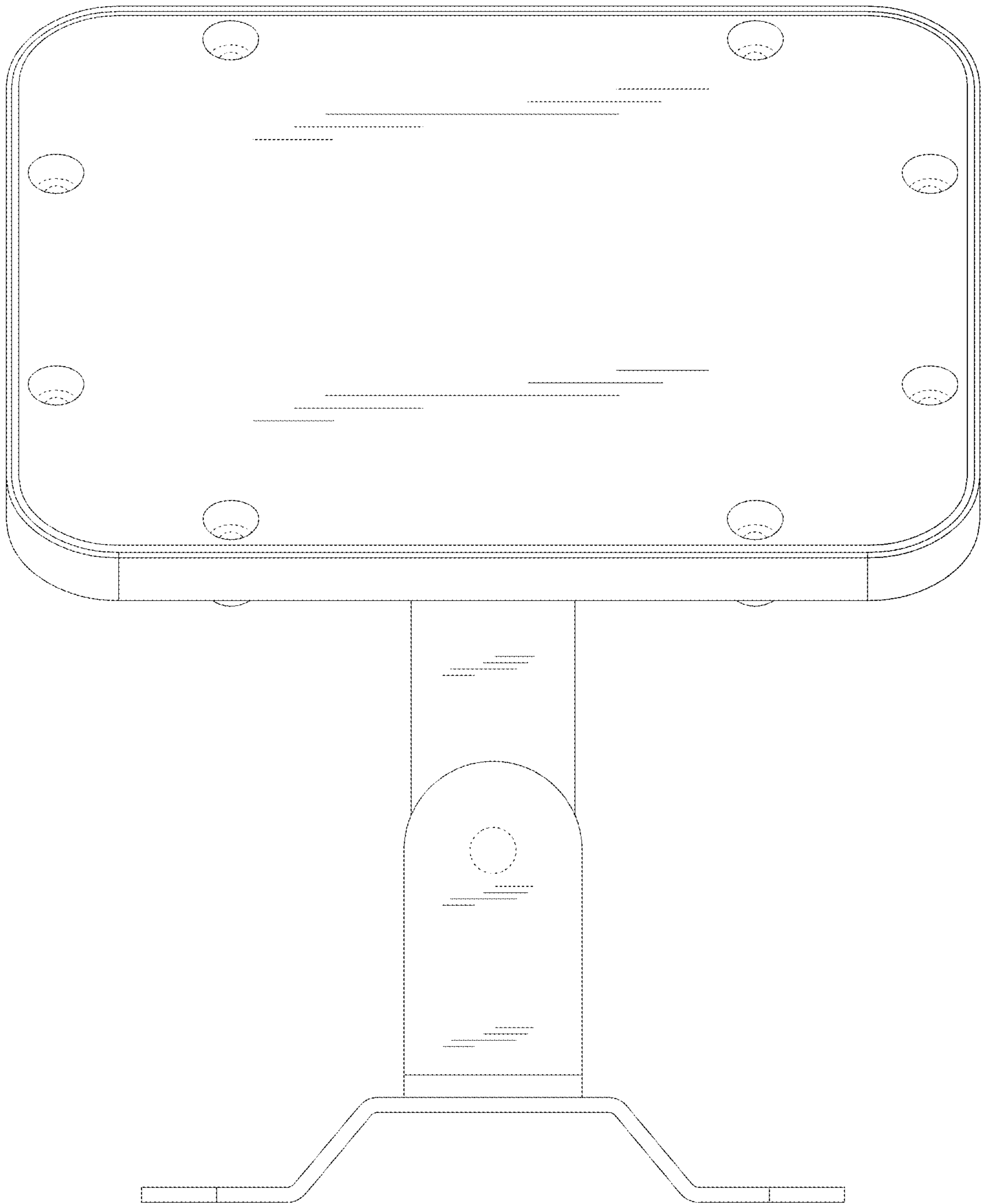


FIG. 7