



US00D921256S

(12) **United States Design Patent**  
**Wang et al.**

(10) **Patent No.:** **US D921,256 S**  
(45) **Date of Patent:** **\*\* Jun. 1, 2021**

- (54) **LED STADIUM LIGHT**
- (71) Applicant: **Shenzhen Huadian Lighting Co., Ltd.**,  
Guangdong (CN)
- (72) Inventors: **Jianhua Wang**, Guangdong (CN);  
**Wanbang Luo**, Guangdong (CN)
- (\*\*) Term: **15 Years**
- (21) Appl. No.: **29/676,648**
- (22) Filed: **Jan. 13, 2019**
- (30) **Foreign Application Priority Data**  
Nov. 28, 2018 (CN) ..... 201830681977.3
- (51) **LOC (13) Cl.** ..... **26-05**
- (52) **U.S. Cl.**  
USPC ..... **D26/61**
- (58) **Field of Classification Search**  
USPC ..... D26/24, 60-66, 72, 76-78, 80-81, 83,  
D26/85-87, 113, 138, 142  
CPC .... F21S 8/03; F21S 8/033; F21S 8/035; F21S  
8/036; F21S 8/037; F21S 8/043; F21S  
8/06; F21S 8/061; F21V 5/007; F21V  
13/02; F21V 17/107; F21V 21/30  
See application file for complete search history.

- (56) **References Cited**  
**U.S. PATENT DOCUMENTS**  
D202,727 S \* 11/1965 Hahn ..... D26/65  
D417,024 S \* 11/1999 Stuyfzand ..... D26/63  
D425,232 S \* 5/2000 Chang ..... D26/63  
6,390,649 B1 \* 5/2002 Tang ..... F21V 19/02  
362/285  
D572,856 S \* 7/2008 Kehl ..... D26/61  
D589,636 S \* 3/2009 Pinette ..... D26/63  
D629,547 S \* 12/2010 Salm ..... D26/63  
D634,871 S \* 3/2011 Wooh ..... D26/63  
D658,805 S \* 5/2012 Orrom ..... D26/118  
D663,877 S \* 7/2012 Quevy ..... D26/63

- D664,285 S \* 7/2012 Toft ..... F21V 21/30  
D26/118
- D693,500 S \* 11/2013 Souvay ..... D26/51
- D699,382 S \* 2/2014 Moller ..... D26/63
- D702,866 S \* 4/2014 Blincoe ..... D26/63
- (Continued)

**FOREIGN PATENT DOCUMENTS**

CN 305175072 \* 5/2019

**OTHER PUBLICATIONS**

www.ledlightexpert.com. 500 Watt LED StadiumPro II LED Stadium Lights. Undated online product page. Retrieved on Sep. 15, 2020 from <https://www.ledlightexpert.com/500-Watt-LED-StadiumPro-II-LED-Stadium-Lights-65000-Lumen-LED-Ballpark-Lights--5000K-Bright-White--10KV-surge . . . > (Year: 2020).\*

(Continued)

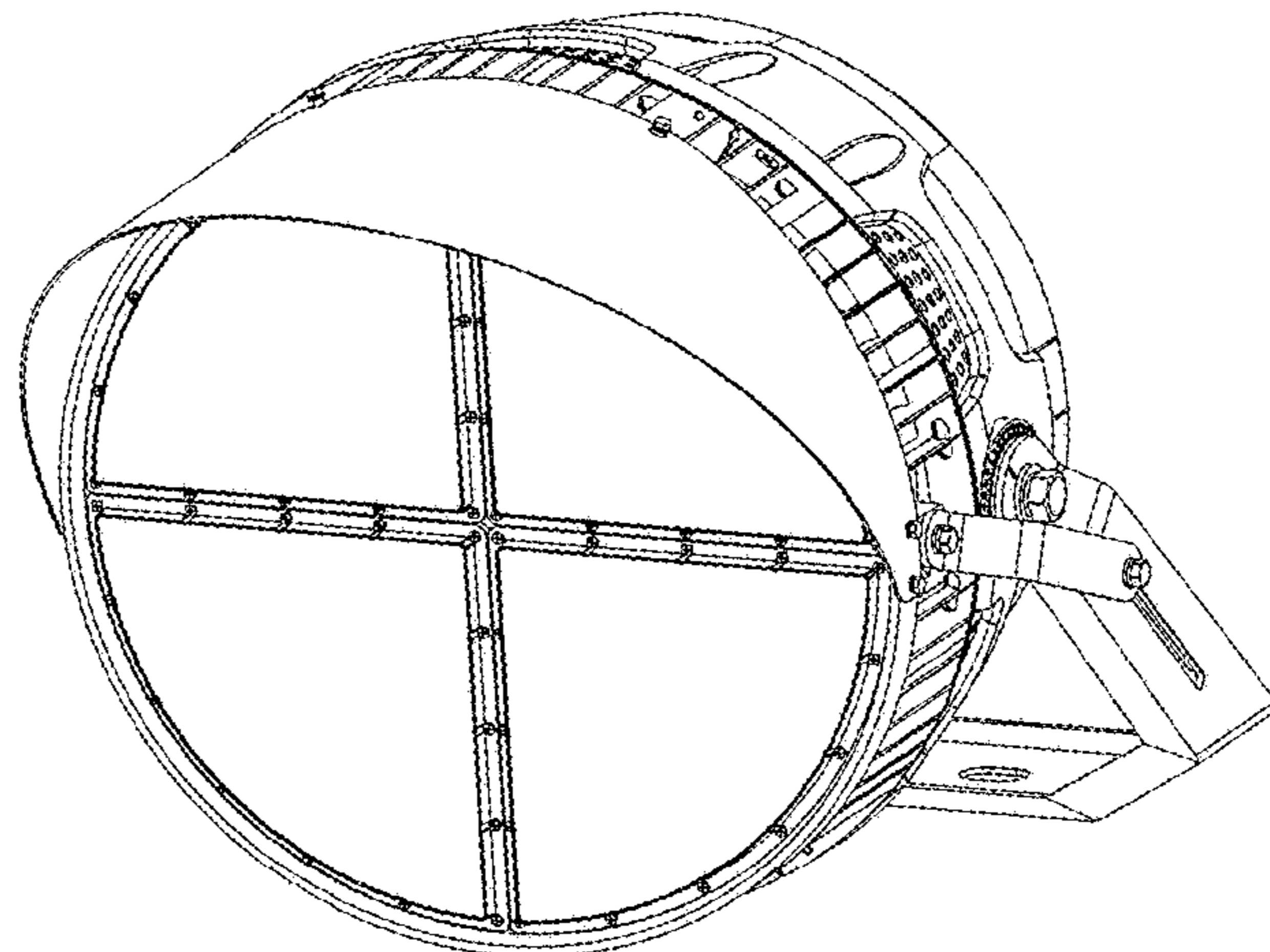
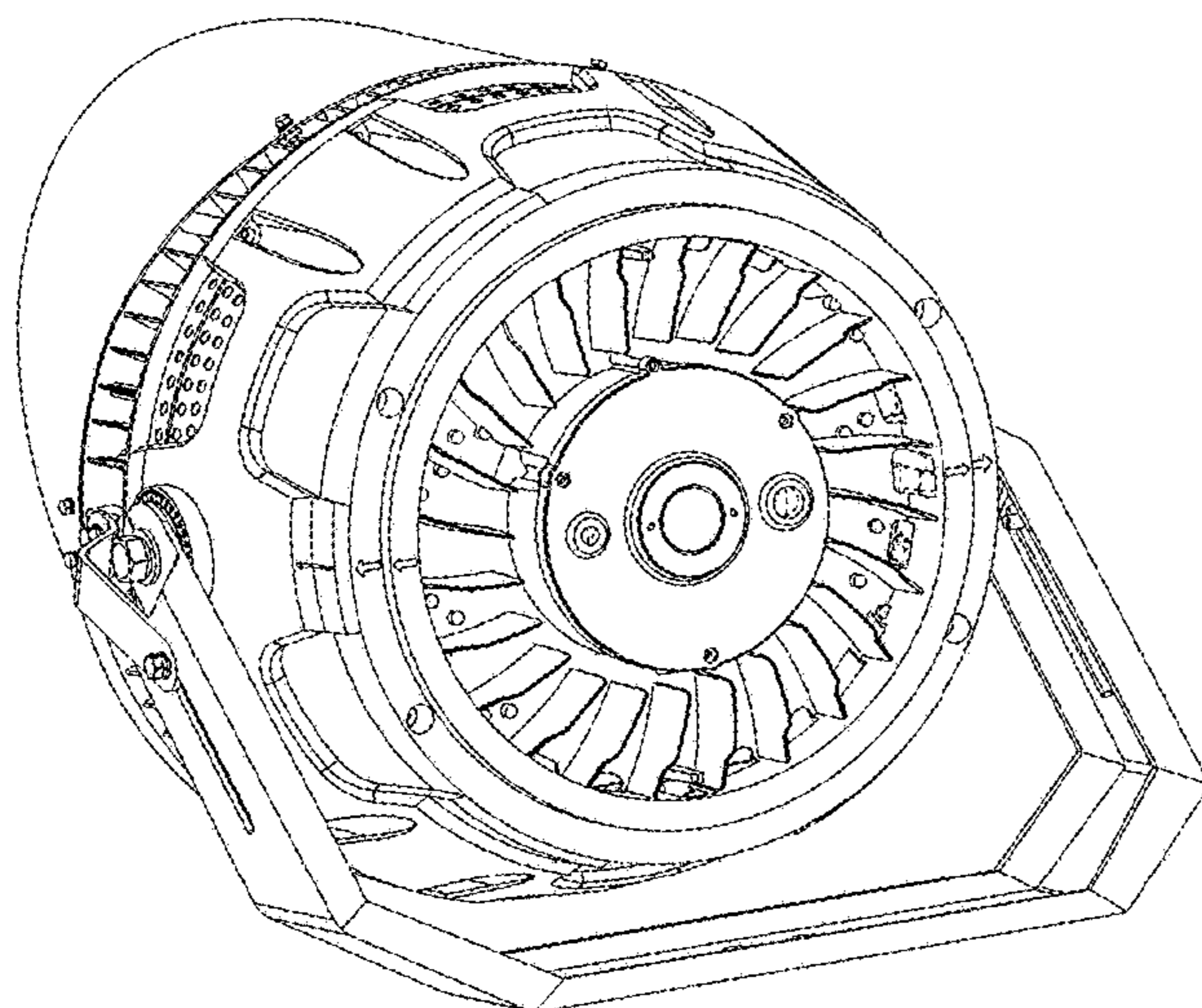
*Primary Examiner* — Marcus A Jackson  
(74) *Attorney, Agent, or Firm* — Prakash Nama; Global IP Services, PLLC

(57) **CLAIM**  
The ornamental design for a LED stadium light, as shown and described.

**DESCRIPTION**

FIG. 1 is a front elevational view of a LED stadium light showing our new design;  
FIG. 2 is a rear elevational view thereof;  
FIG. 3 is a left side view thereof;  
FIG. 4 is a right side view thereof;  
FIG. 5 is a top plan view thereof;  
FIG. 6 is a bottom plan view thereof;  
FIG. 7 is a rear perspective view thereof;  
FIG. 8 is a bottom perspective view thereof; and,  
FIG. 9 is a front perspective view thereof.  
The broken lines illustrating portions of the LED stadium light do not form part of the claimed design.

**1 Claim, 9 Drawing Sheets**



(56)

References Cited

U.S. PATENT DOCUMENTS

D728,840 S \* 5/2015 Eustace ..... D26/63  
 D729,973 S \* 5/2015 Gebhard ..... D26/138  
 D733,352 S \* 6/2015 Casper ..... D26/138  
 D735,385 S \* 7/2015 Lee ..... D26/63  
 D747,516 S \* 1/2016 Yang ..... D26/28  
 D747,524 S \* 1/2016 Jacq ..... D26/63  
 D750,826 S \* 3/2016 Jonischkeit ..... D26/61  
 D750,827 S \* 3/2016 Jonischkeit ..... D26/61  
 D759,280 S \* 6/2016 Moller ..... D26/63  
 D783,874 S \* 4/2017 Moller ..... D26/63  
 D789,581 S \* 6/2017 Peard ..... D26/61  
 D792,626 S \* 7/2017 Casper ..... D26/63  
 D796,722 S \* 9/2017 Zhu ..... D26/72  
 D802,197 S \* 11/2017 Ding ..... D26/72  
 D815,327 S \* 4/2018 Moller ..... D26/63  
 D815,769 S \* 4/2018 Gong ..... D26/63  
 D825,805 S \* 8/2018 Jurik ..... D26/63  
 D825,806 S \* 8/2018 Jurik ..... D26/63  
 D825,829 S \* 8/2018 Guo ..... D26/63  
 D835,319 S \* 12/2018 Luke ..... D26/63  
 D845,530 S \* 4/2019 Yu ..... D26/63  
 D848,054 S \* 5/2019 Zhan ..... D26/118  
 D853,007 S \* 7/2019 Eustace ..... D26/65  
 D855,857 S \* 8/2019 Eustace ..... D26/65  
 D856,563 S \* 8/2019 Ernst ..... D26/63  
 D858,839 S \* 9/2019 Deng ..... D26/63  
 D858,841 S \* 9/2019 Deng ..... D26/63  
 D862,757 S \* 10/2019 Wang ..... D26/63  
 D864,466 S \* 10/2019 Romano ..... D26/138  
 D866,834 S \* 11/2019 Amin ..... D26/63  
 D866,835 S \* 11/2019 Amin ..... D26/63  
 D882,140 S \* 4/2020 Yang ..... D26/63  
 D884,949 S \* 5/2020 Amin ..... D26/63  
 D884,950 S \* 5/2020 Amin ..... D26/63  
 D884,951 S \* 5/2020 Amin ..... D26/63  
 D885,628 S \* 5/2020 Amin ..... D26/63  
 D889,013 S \* 6/2020 Pan ..... D26/63  
 D891,667 S \* 7/2020 Zou ..... D26/63  
 D893,074 S \* 8/2020 Finocchiaro ..... D26/63  
 D894,460 S \* 8/2020 Yu ..... D26/63  
 D895,186 S \* 9/2020 Merovitz ..... D26/63  
 2009/0170370 A1 \* 7/2009 Krieg ..... H01R 33/06  
 439/602  
 2012/0063135 A1 \* 3/2012 Jurik ..... F21V 19/001  
 362/249.02

2012/0091917 A1 \* 4/2012 Vinther ..... F21S 10/023  
 315/312  
 2012/0127710 A1 \* 5/2012 Jurik ..... F21V 14/08  
 362/235  
 2012/0268894 A1 \* 10/2012 Alexander ..... F21V 29/75  
 361/709  
 2012/0287613 A1 \* 11/2012 Hamel ..... F21V 29/507  
 362/184  
 2013/0027934 A1 \* 1/2013 Velazquez ..... F21V 23/009  
 362/249.01  
 2014/0199168 A1 \* 7/2014 Spiro ..... F21V 15/01  
 416/5  
 2015/0167922 A1 \* 6/2015 Casper ..... H05B 47/11  
 362/311.02  
 2015/0260385 A1 \* 9/2015 Brynjolfsson ..... H05B 45/20  
 315/152  
 2016/0061439 A1 \* 3/2016 Jurik ..... F21V 14/00  
 362/96  
 2017/0079108 A1 \* 3/2017 Campetella ..... H01L 33/504  
 2017/0184261 A1 \* 6/2017 Casper ..... F21V 23/02  
 2017/0184272 A1 \* 6/2017 Nolan ..... F21V 29/508  
 2017/0184288 A1 \* 6/2017 Owens ..... F21V 19/003  
 2017/0184298 A1 \* 6/2017 Casper ..... F21V 15/01  
 2017/0363272 A1 \* 12/2017 Hsu ..... F21V 29/70  
 2018/0073692 A1 \* 3/2018 Jurik ..... F21V 5/007  
 2018/0306426 A1 \* 10/2018 Patterson ..... F21V 29/74  
 2018/0320837 A1 \* 11/2018 Romano ..... F21S 2/005  
 2019/0293267 A1 \* 9/2019 Marshal ..... F21V 23/0471  
 2020/0217495 A1 \* 7/2020 Shum ..... F21V 7/0016  
 2020/0284421 A1 \* 9/2020 Spiro ..... F21V 29/83

OTHER PUBLICATIONS

amazon.com. 67,000 Lumen LED Stadium Pro II Series Light. Date uploaded Oct. 8, 2018 [site visited Sep. 15, 2020], Retrieved from internet, < <https://www.amazon.com/Stadium-Pro-II-Sports-Efficiency/dp/B083NPYLXW/ref...> > (Year: 2018).\*

amazon.com. 500W LED Stadium Light, 70000 Lumen. Date uploaded Dec. 11, 2018 [site visited Sep. 15, 2020], Retrieved from internet, < [https://www.amazon.com/1500-2000W-Stadium-Waterproof-FloodLights-UL-Liste/...](https://www.amazon.com/1500-2000W-Stadium-Waterproof-FloodLights-UL-Liste/) > (Year: 2018).\*

greenlightdepot.com. High Mast Stadium Lights. Undated online product page. Retrieved on Sep. 15, 2020 from < <https://greenlightdepot.com/products/high-mast-stadium-lights-750w-sport-lights-dlc-ul-5-year-warranty?variant=17206163603499> > (Year: 2020).\*

\* cited by examiner

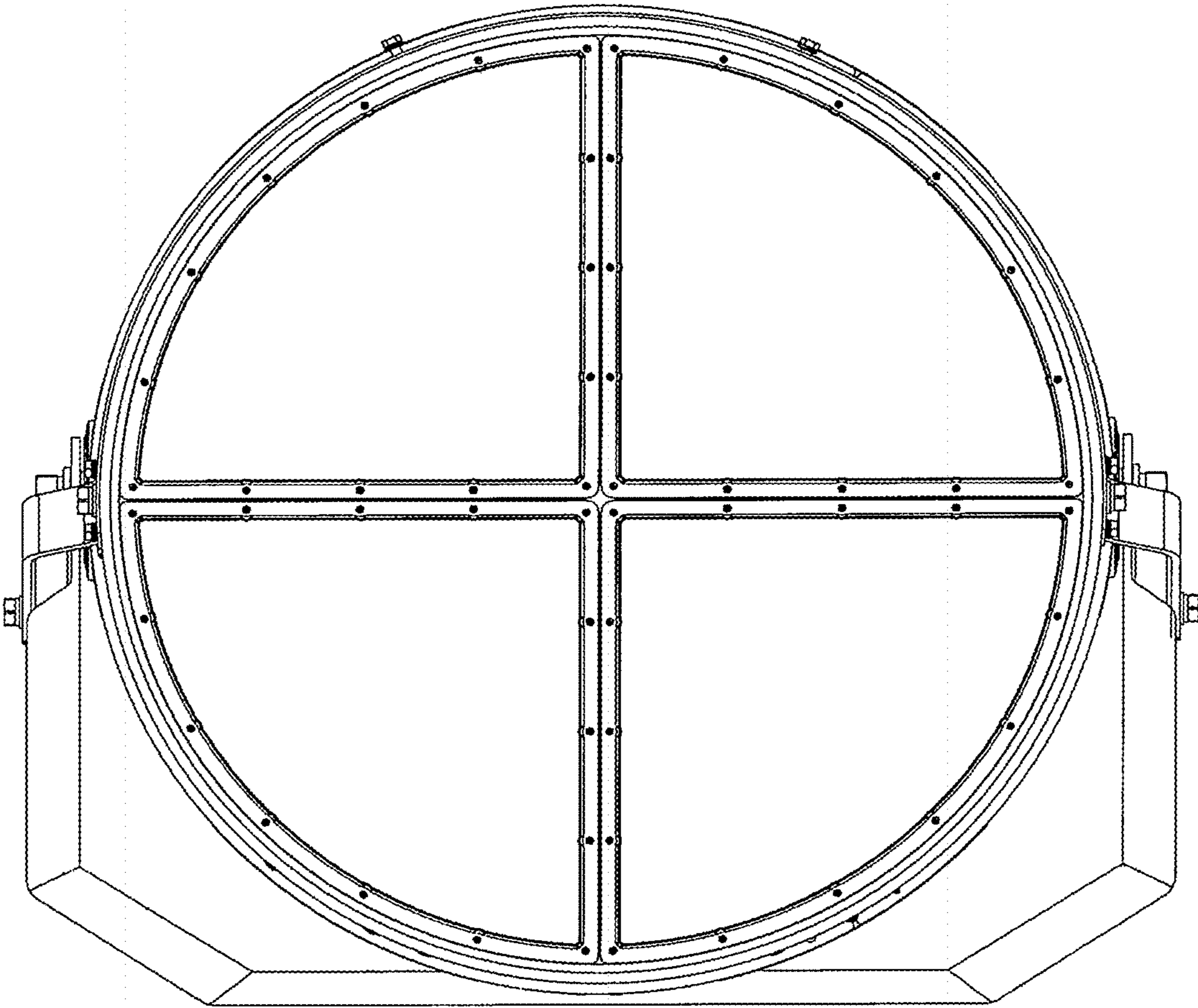


FIG. 1

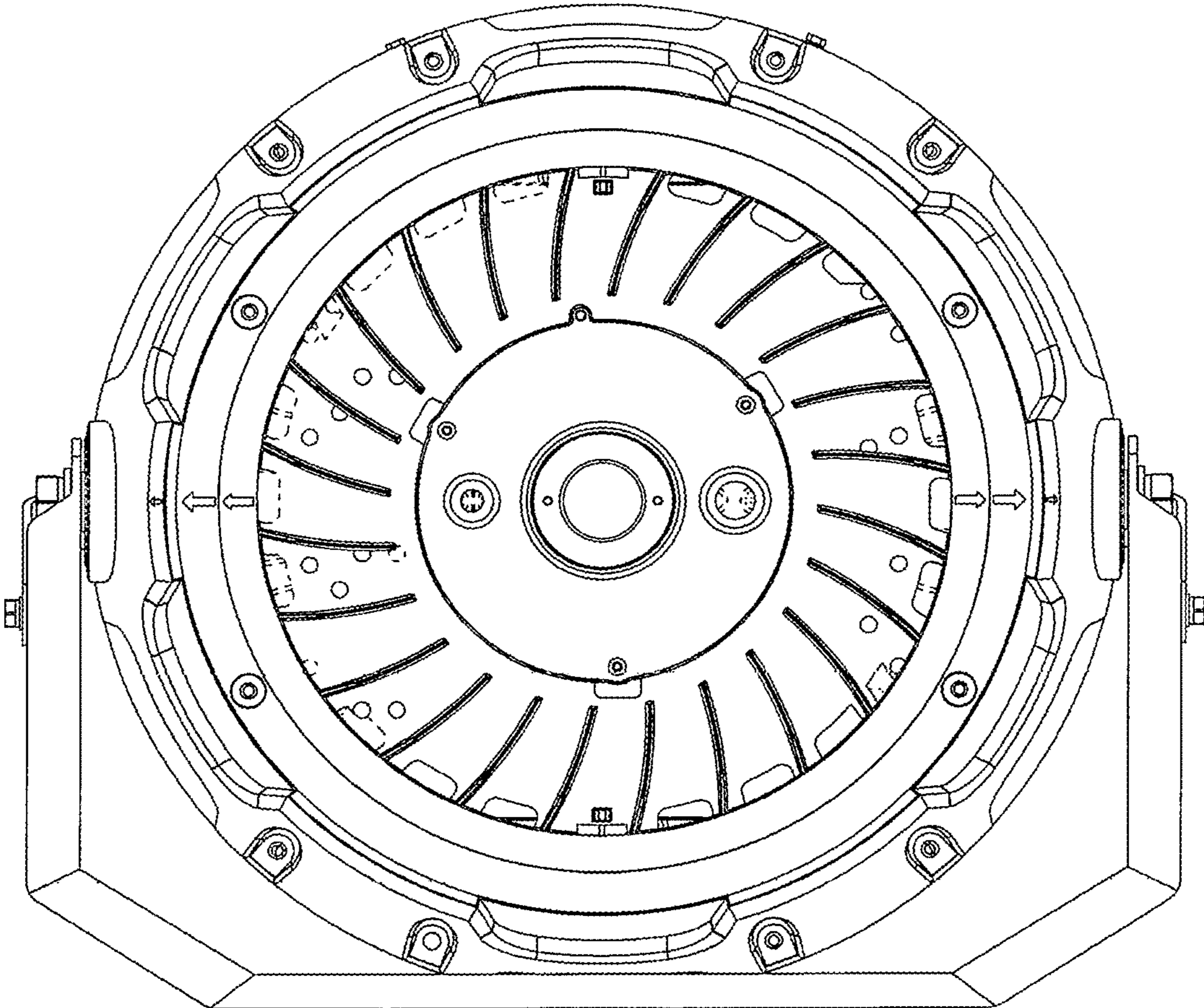


FIG. 2

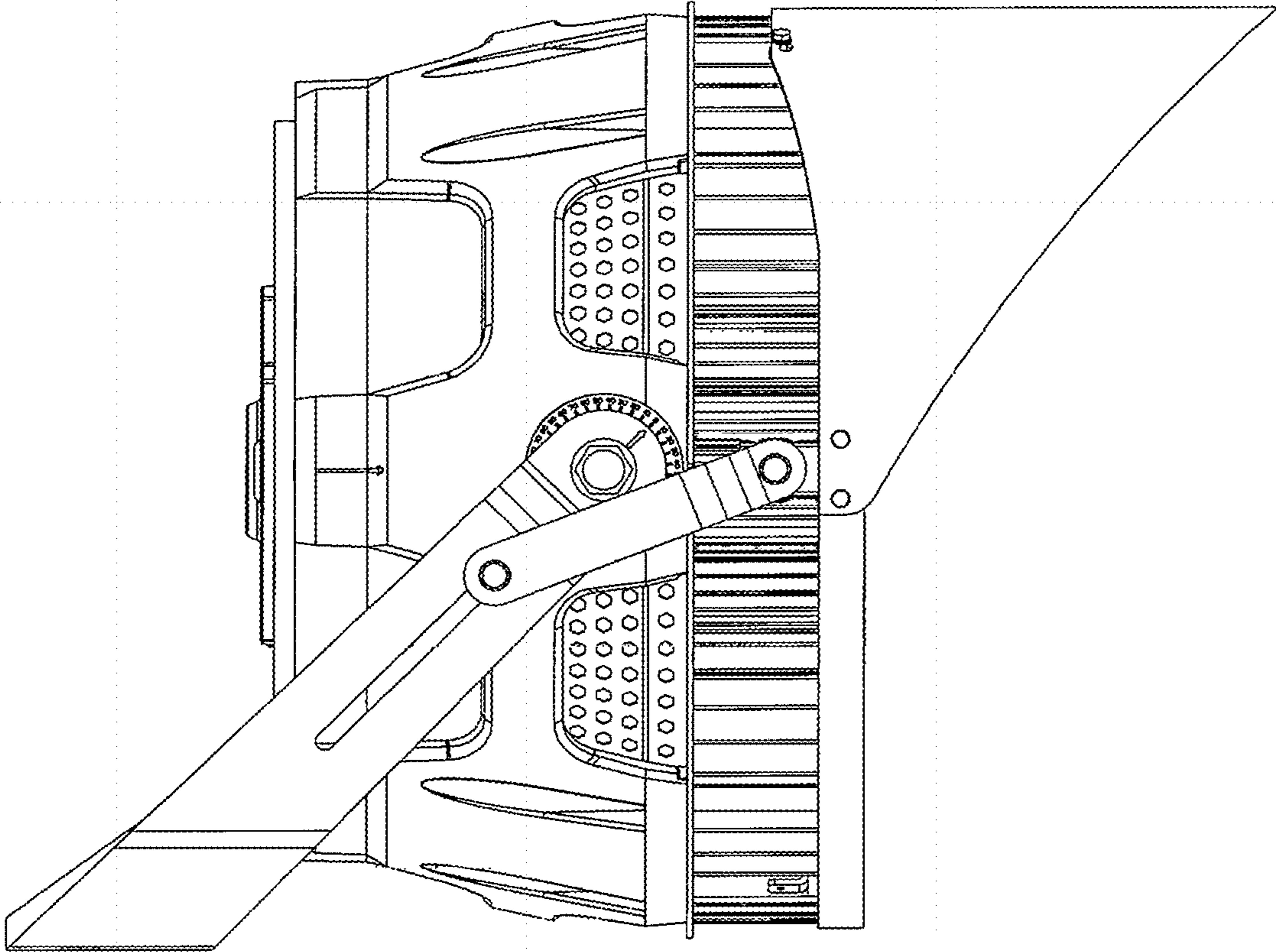


FIG. 3

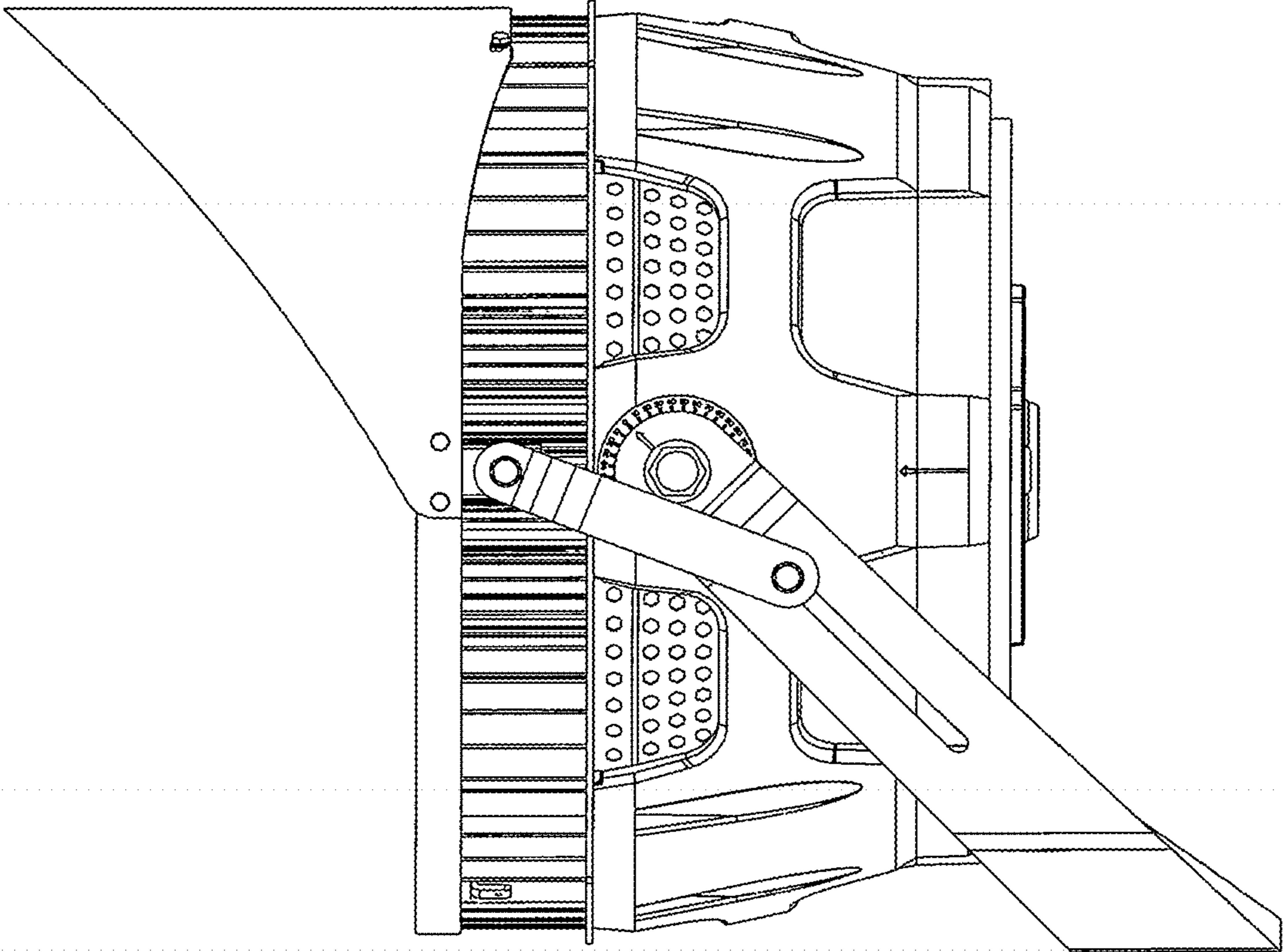


FIG. 4

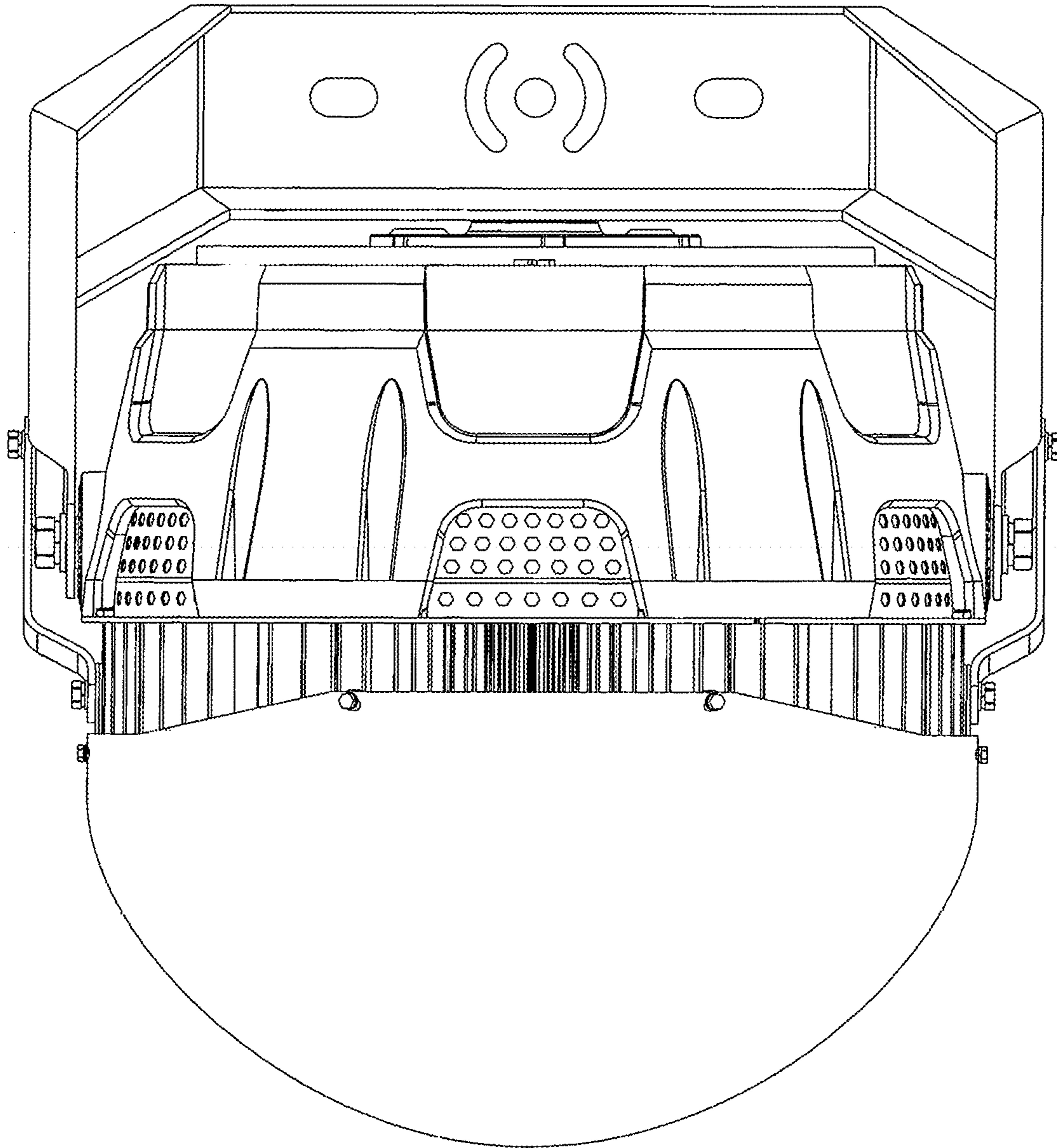


FIG. 5

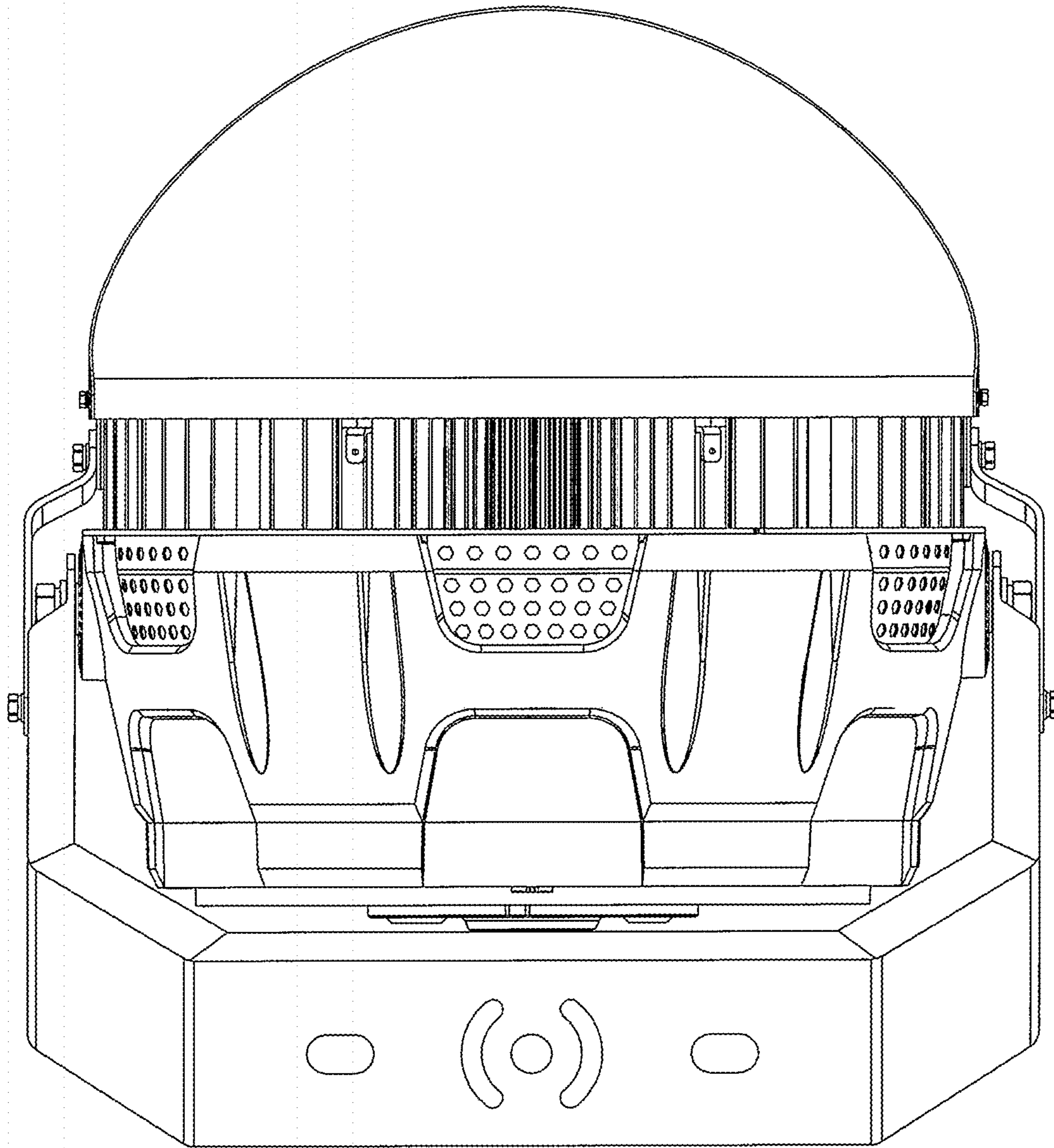


FIG. 6



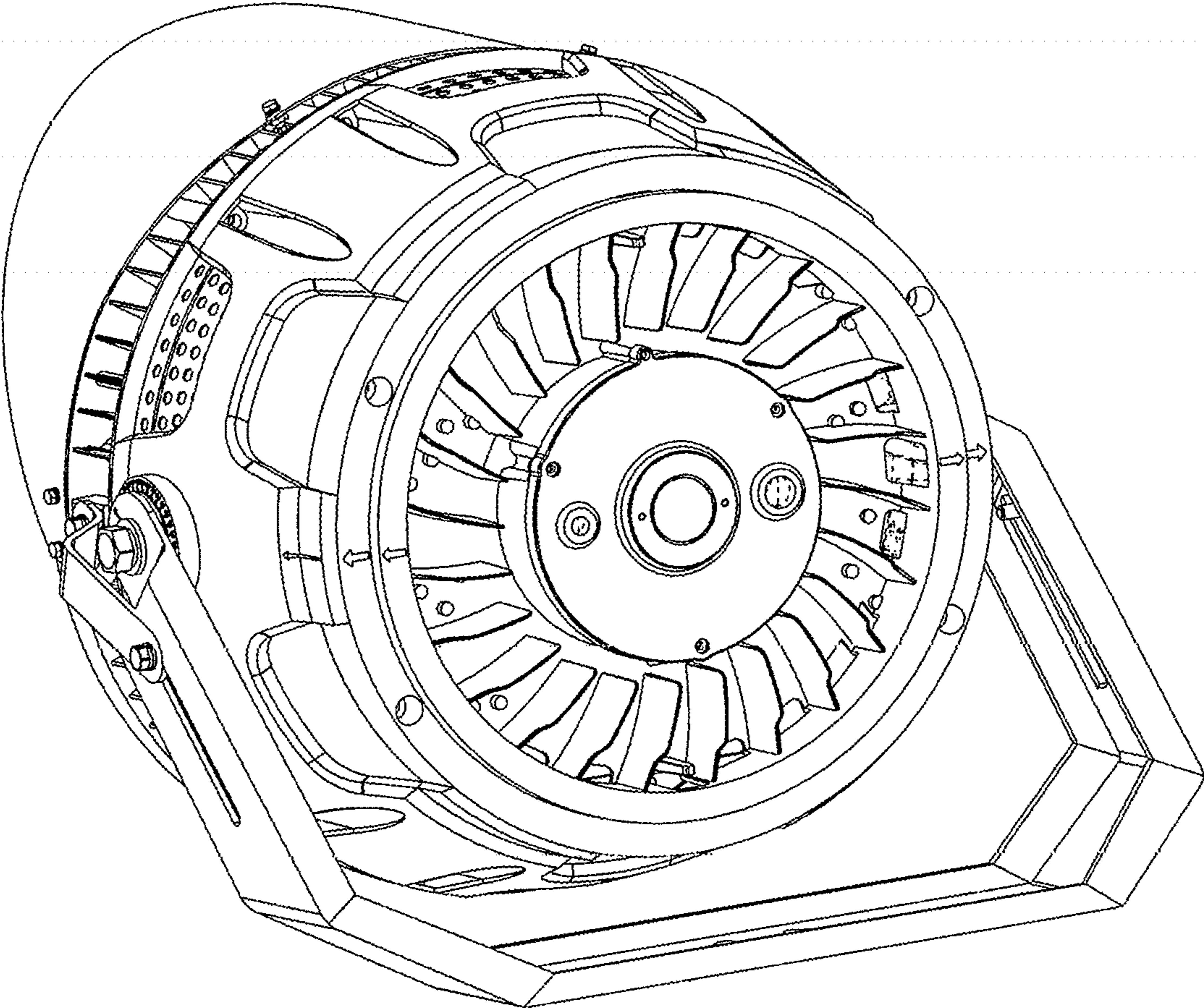


FIG. 7

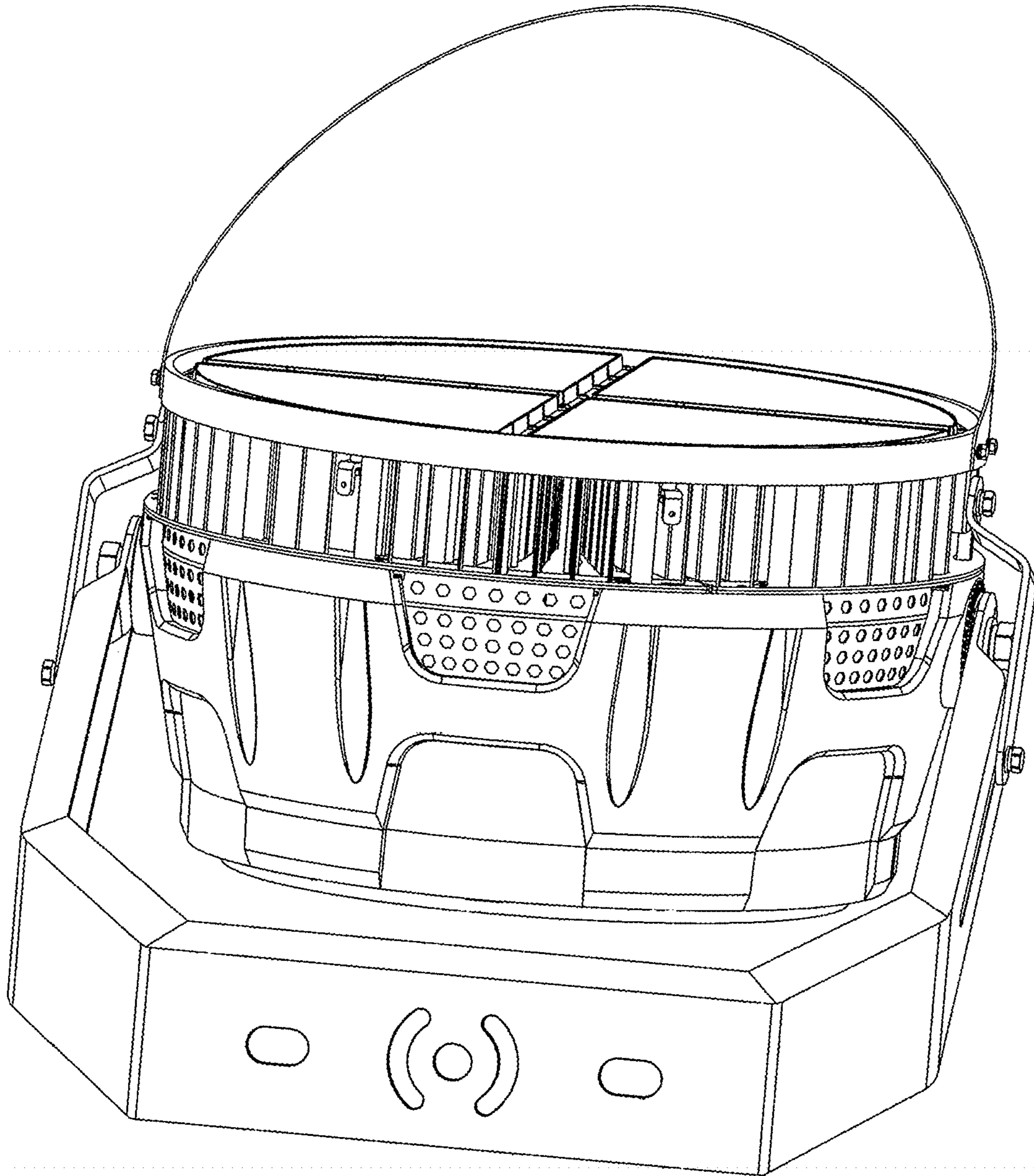


FIG. 8

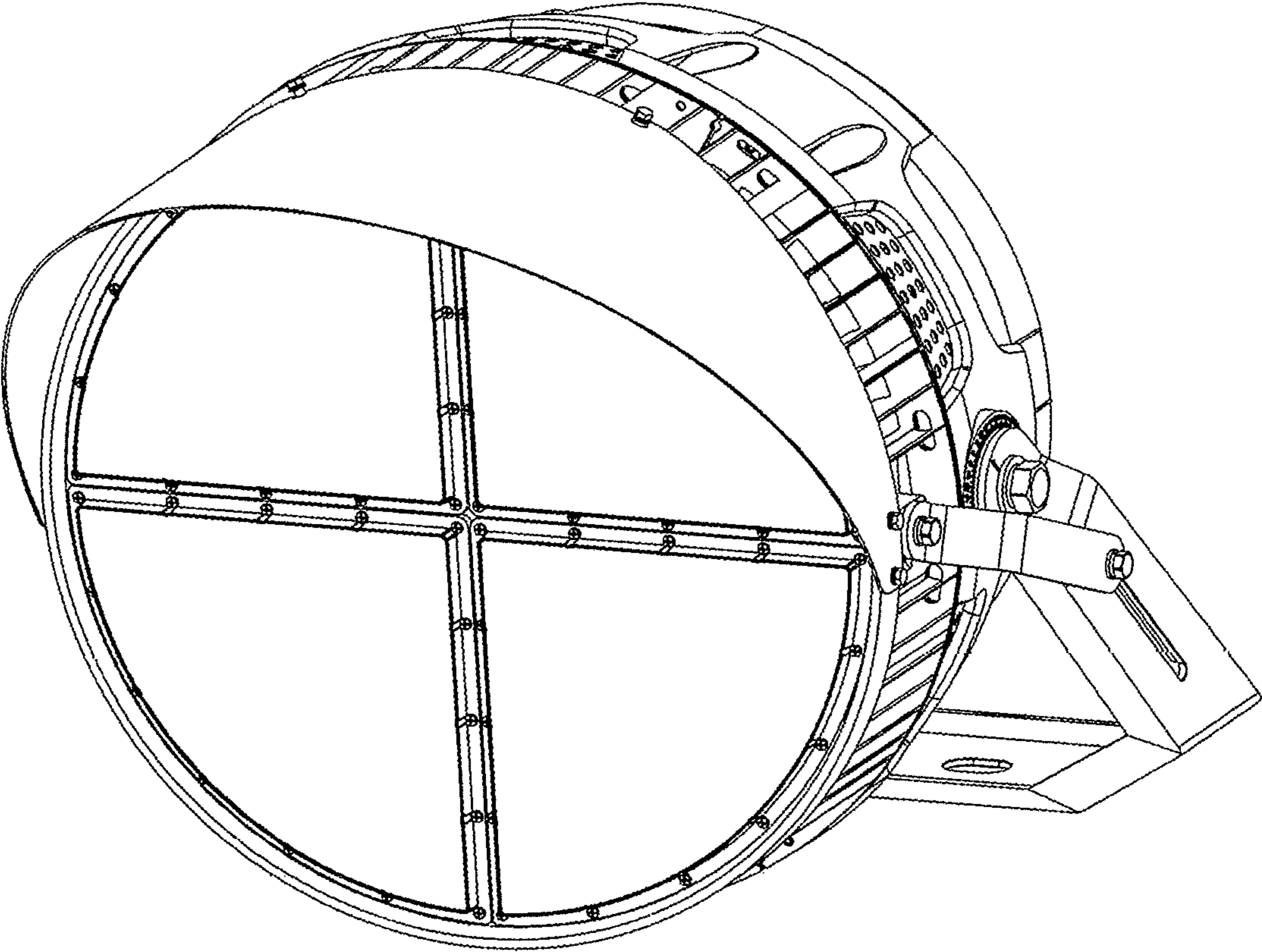


FIG. 9