



US00D921253S

(12) **United States Design Patent**  
**McRoberts**

(10) **Patent No.:** **US D921,253 S**

(45) **Date of Patent:** **\*\* Jun. 1, 2021**

(54) **CEILING FAN LIGHT KIT**

(71) Applicant: **HUNTER FAN COMPANY**,  
Memphis, TN (US)

(72) Inventor: **Claire Bernice McRoberts**, Memphis,  
TN (US)

(73) Assignee: **Hunter Fan Company**, Memphis, TN  
(US)

(\*\*) Term: **15 Years**

(21) Appl. No.: **29/612,225**

(22) Filed: **Jul. 31, 2017**

**Related U.S. Application Data**

(62) Division of application No. 29/557,286, filed on Mar.  
8, 2016, now Pat. No. Des. 798,431.

(51) **LOC (13) Cl.** ..... **26-05**

(52) **U.S. Cl.**  
USPC ..... **D26/59**

(58) **Field of Classification Search**  
USPC ..... D23/335-337, 355, 370-385, 411-414;  
D26/59, 67, 72, 80-89, 92, 104-105, 110,  
D26/113, 118-119, 128-137  
CPC .... F04D 25/088; F21V 33/0096; F21V 21/03;  
F21V 17/002; F21V 23/007; F21V 23/04;  
F21V 23/0485; F21V 15/01; F21V  
19/006; F21V 19/04; F21V 21/02; F21V  
23/002; F21V 23/005; F21V 33/0052;  
F21V 7/22

See application file for complete search history.

(56) **References Cited**

**U.S. PATENT DOCUMENTS**

D36,803 S \* 2/1904 Sepulchre ..... D26/131  
D59,087 S \* 9/1921 Hibben ..... D26/88  
D104,030 S \* 4/1937 Gunsbourg ..... D26/130  
D228,795 S \* 10/1973 Peasley ..... D26/85

D229,090 S \* 11/1973 Anderson, Jr. .... D26/85  
D238,503 S \* 1/1976 Loveless ..... D26/87  
4,073,598 A 2/1978 Mizutani et al.  
D346,858 S 5/1994 Lee  
D355,027 S 1/1995 Young  
D424,680 S 5/2000 Wenzlick  
D427,672 S 7/2000 Lee  
D428,984 S 8/2000 Lee  
D464,722 S 10/2002 Sonneman  
D478,980 S 8/2003 Hidalgo  
D481,156 S \* 10/2003 Packer ..... D26/128

(Continued)

**OTHER PUBLICATIONS**

<http://www.minkagroup.net/products/f524-abd>, Item Specification  
for 52" 3 Blade Ceiling Fan in Brushed Aluminum Finish with  
Silver Blades, Product # F524-ABD, Accessed Mar. 2, 2016.

(Continued)

*Primary Examiner* — Lilyana Bekic

*Assistant Examiner* — Sharon S Oum

(74) *Attorney, Agent, or Firm* — McGarry Bair PC

(57) **CLAIM**

The ornamental design for a ceiling fan light kit, as shown  
and described.

**DESCRIPTION**

FIG. 1 is a bottom perspective view of a ceiling fan light kit  
showing my new design, shown in the environment of a  
ceiling fan;

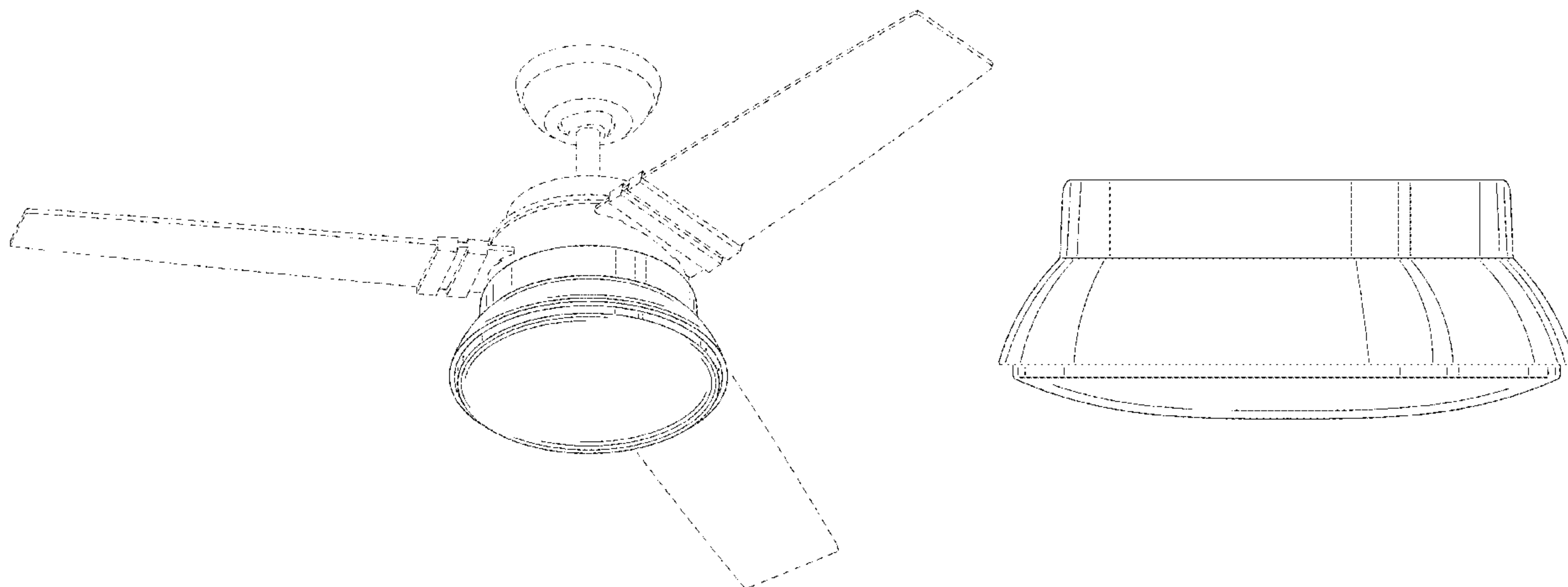
FIG. 2 is a top perspective view of the ceiling fast light kit  
of FIG. 1. but shown without the ceiling fan environment;  
FIG. 3 is a top view thereof;

FIG. 4 is a bottom view thereof; and,

FIG. 5 is a front side view thereof, with rear, right, and left  
side views being mirror images thereof.

The broken lines shown in FIG. 1 illustrate environmental  
structure and form no part of the claimed design.

**1 Claim, 5 Drawing Sheets**



(56)

References Cited

U.S. PATENT DOCUMENTS

D483,847 S 12/2003 Tai  
 D488,554 S \* 4/2004 Bacon ..... D23/411  
 D551,796 S \* 9/2007 Acedo ..... D26/88  
 D562,961 S \* 2/2008 Pickett ..... D23/377  
 D582,030 S 12/2008 Pickett  
 D603,955 S 11/2009 Patton  
 D607,600 S \* 1/2010 Keith ..... D26/104  
 D614,758 S 4/2010 Shurtleff  
 D615,692 S \* 5/2010 Lavallee ..... D26/67  
 D627,053 S 11/2010 Pan  
 D627,874 S 11/2010 Pan  
 D632,381 S 2/2011 Davenport et al.  
 D633,611 S 3/2011 Pan  
 D634,053 S \* 3/2011 Guercio ..... D26/89  
 D635,292 S \* 3/2011 Chiang ..... D26/88  
 D663,455 S \* 7/2012 Glasbrenner ..... D26/59  
 D688,720 S \* 8/2013 Yilin ..... D16/203  
 D704,819 S 5/2014 Wang  
 D704,821 S 5/2014 Wang  
 D706,970 S 6/2014 Wang  
 D745,656 S 12/2015 Wang  
 D777,367 S \* 1/2017 Ma ..... D26/104  
 D785,848 S \* 5/2017 Couture ..... D26/89  
 D798,431 S \* 9/2017 McRoberts ..... D23/377  
 D807,491 S \* 1/2018 Haggar ..... D23/377  
 D808,512 S \* 1/2018 Hidalgo ..... D23/411  
 D810,912 S \* 2/2018 McRoberts ..... D23/377  
 2009/0122572 A1 \* 5/2009 Page ..... F04D 25/088  
 362/555  
 2016/0111816 A1 \* 4/2016 Walker ..... F04D 25/0693  
 417/423.7

OTHER PUBLICATIONS

<http://www.homedepot.com/p/Hampton-Bay-Valle-Paraiso-52-in-Oil-Rubbed-Bronze-Ceiling-Fan-14036/202050936>, Item Specification for 52" Valle Paraiso Oil-Rubbed Bronze Ceiling Fan, Accessed Mar. 8, 2016.  
<http://www.homedepot.com/p/Hampton-Bay-Marlton-52-in-Oil-Rubbed-Bronze-Ceiling-Fan-YG305-ORB/202549795>, Item Specifi-

fication for Hampton Bay Marlton 52" Oil-Rubbed Bronze Ceiling Fan, Accessed Mar. 8, 2016.  
<http://www.menards.com/main/p-1444438448164-c-7488.htm?tid=-5244648551955826367>, Item Specification for Turn of the Century Lafitte 52" Gold Stone Ceiling Fan, Accessed Mar. 8, 2016.  
<http://www.kichler.com/products/product/52-inch-cameron-fan-wcp-310104wcp.aspx>, Item Specification for Cameron Collection 52" Cameron Fan WCP, Accessed Mar. 8, 2016.  
<http://www.kichler.com/products/product/52-inch-kittery-point-fan-pn-300020pn.aspx>, Item Specification for Kittery Point Collection 52" Kittery Point Fan PN, Accessed Mar. 8, 2016.  
<http://www.hunterfan.com/Ceiling-Fans/Landsdowne?ModelNumber=59172>, Item Specification for Landsdowne 52" Ceiling Fan, Accessed Mar. 8, 2016.  
<http://www.fanimation.com/products/index.php/fans/zonix.html>, Item Specification for Fanimation Zonix 54" Ceiling Fan, Accessed Mar. 8, 2016.  
<http://www.craftmade.com/Craftmade-PAR52ESP4-Espresso-Ceiling-Fan.HTM>, Item Specification for Craftmade Port Arbor 52" Ceiling Fan Blades, Accessed Mar. 8, 2016.  
<http://www.kichler.com/products/product/56-inch-hatteras-bay-fan-obbb-300018obb.aspx>, Item Specification for Hatteras Bay Collection 56" Hatteras Bay Fan OBB, Accessed Mar. 8, 2016.  
<http://www.menards.com/main/p-1444424537879-c-7487.htm?tid=-5244648551955826367>, Item Specification for Turn of the Century Montego Bapy 52" Weathered Copper Wet Rated Ceiling Fan, Accessed Mar. 8, 2016.  
<http://www.kichler.com/products/product/52-inch-harbour-walk-patio-fan-wcp-310102wcp.aspx>, Item Specification for Harbour Walk Patio Collection 52" Harbour Walk Patio Fan WCP, Accessed Mar. 8, 2016.  
<http://www.craftmade.com/Craftmade-Union-v16.htm>, Item Specification for Craftmade Union 52" Ceiling Fan Blades, Accessed Mar. 8, 2016.  
 Craftmade SOE54ESP5, Solo LED Espresso Five Blade 54" Ceiling Fan With Dimmable Light and Remote, date first available Mar. 18, 2016, amazon.com, site visited Jun. 21, 2017, Copyright © 1996-2017, Available from Internet, >[http://www.amazon.com/Craftmade-SOE54ESP5-Espresso-Ceiling-Dimmable/dp/B01D4TWE7U/ref=sr\\_1\\_1?ie=UTF8&qid=1498058099&sr=8-1&keywords=c](http://www.amazon.com/Craftmade-SOE54ESP5-Espresso-Ceiling-Dimmable/dp/B01D4TWE7U/ref=sr_1_1?ie=UTF8&qid=1498058099&sr=8-1&keywords=c).

\* cited by examiner

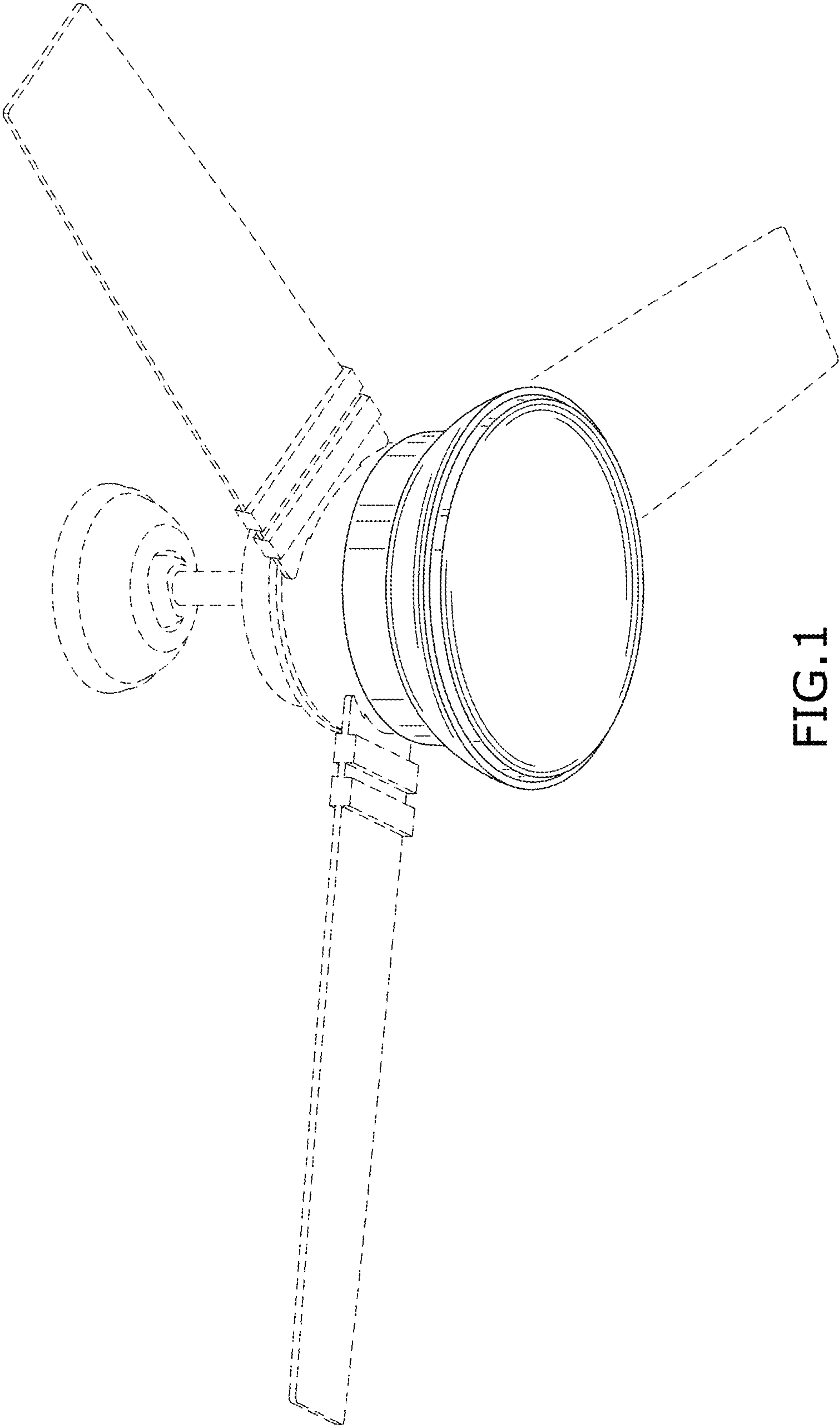


FIG.1



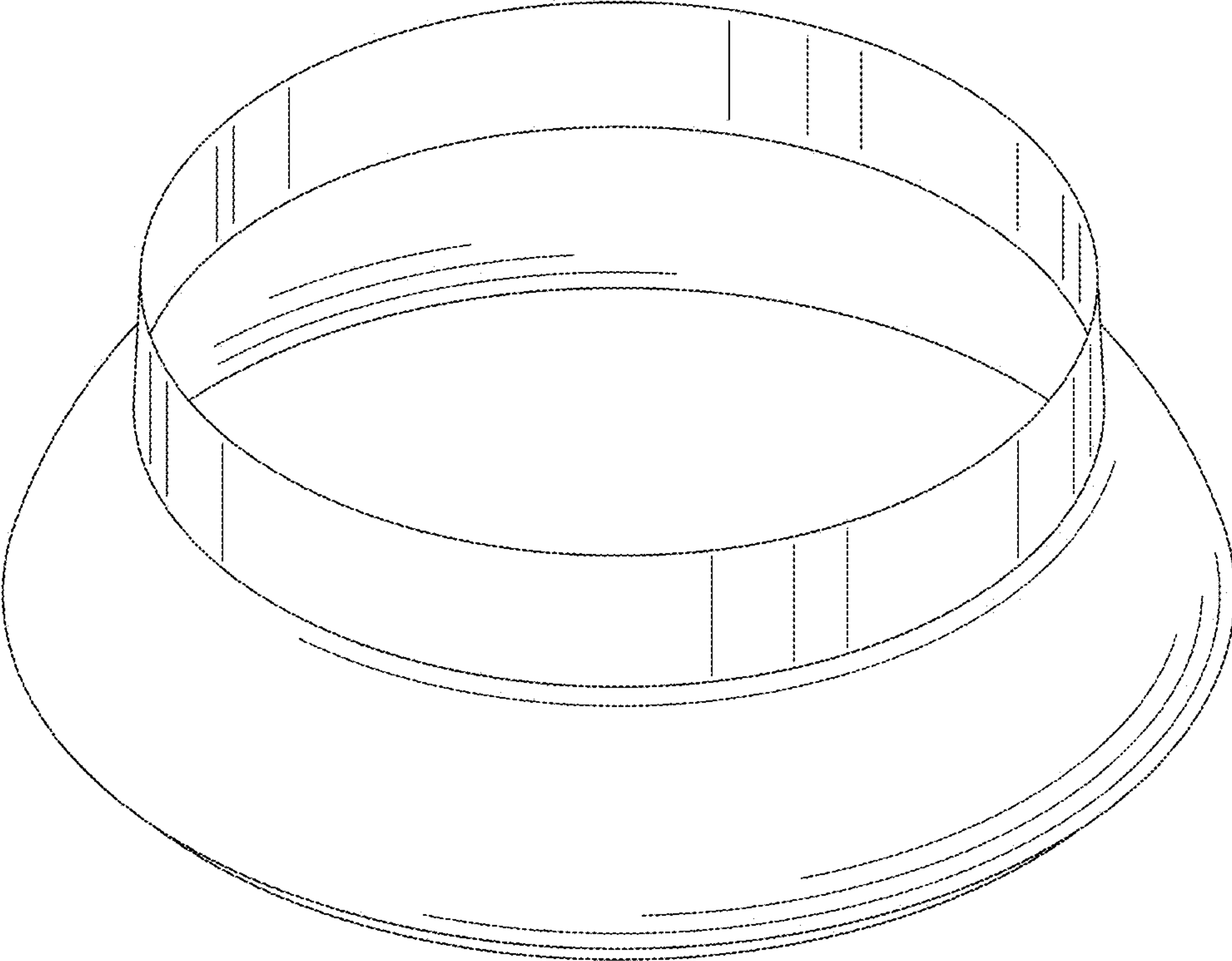


FIG.2

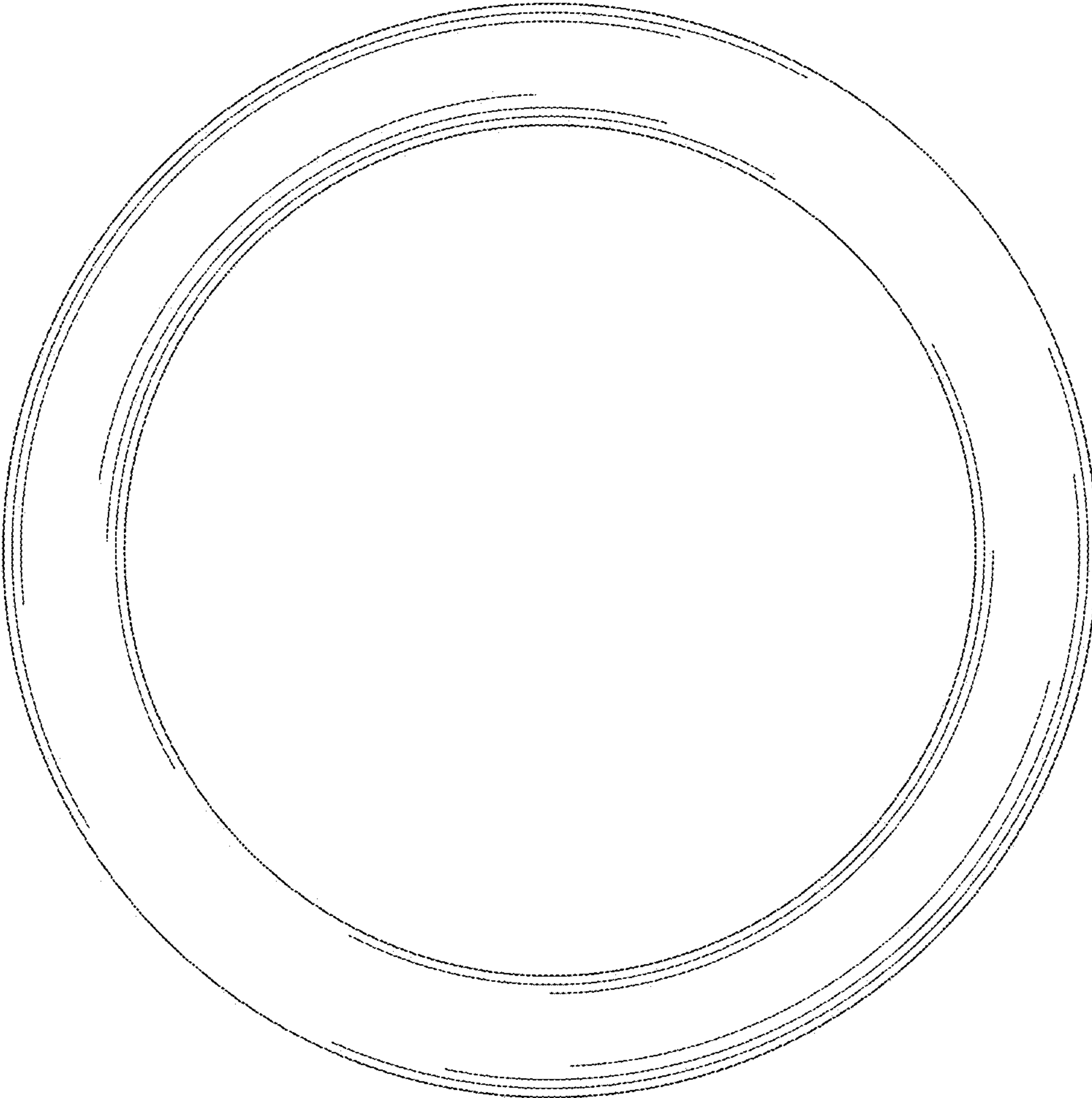


FIG.3

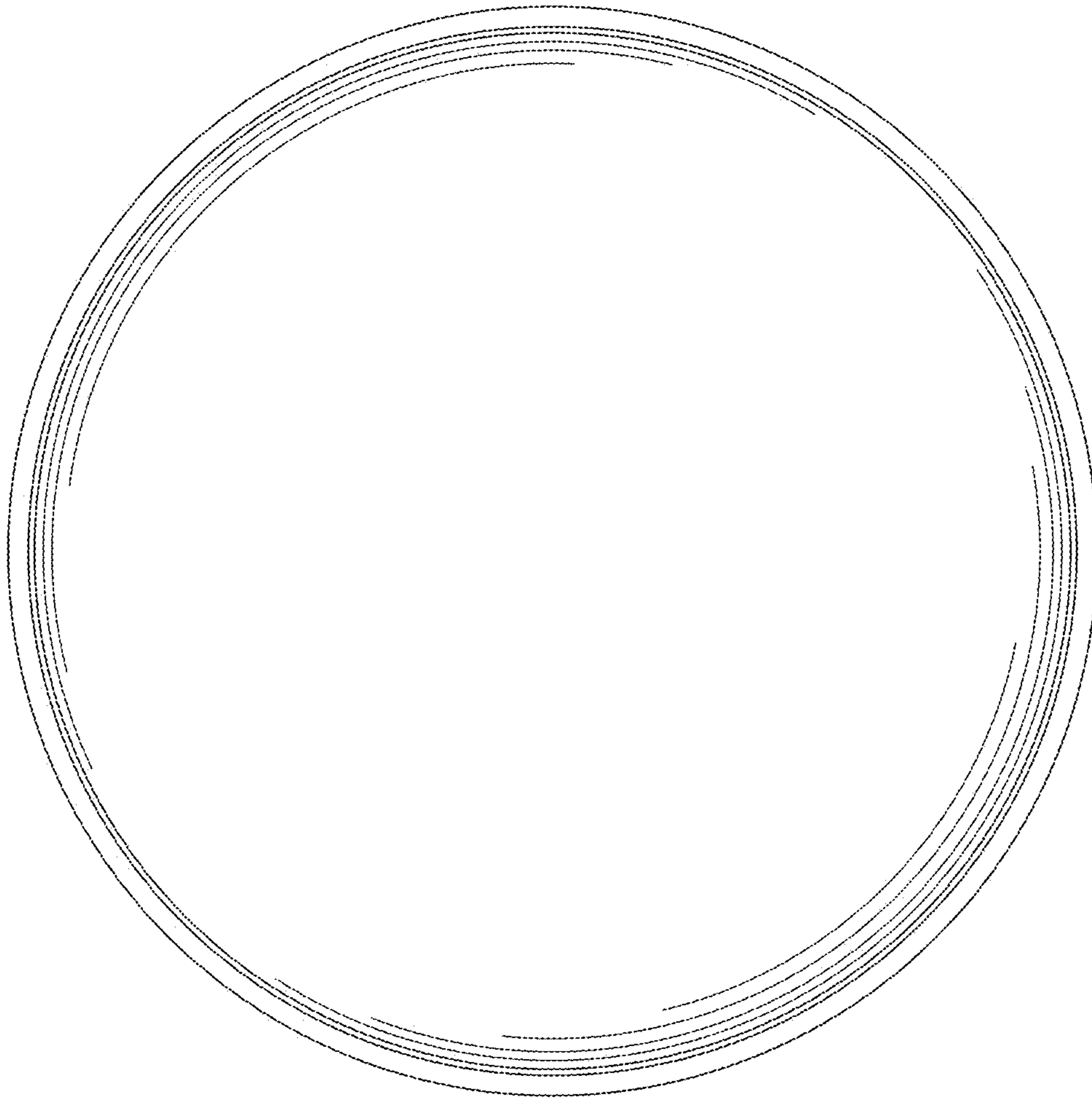


FIG.4

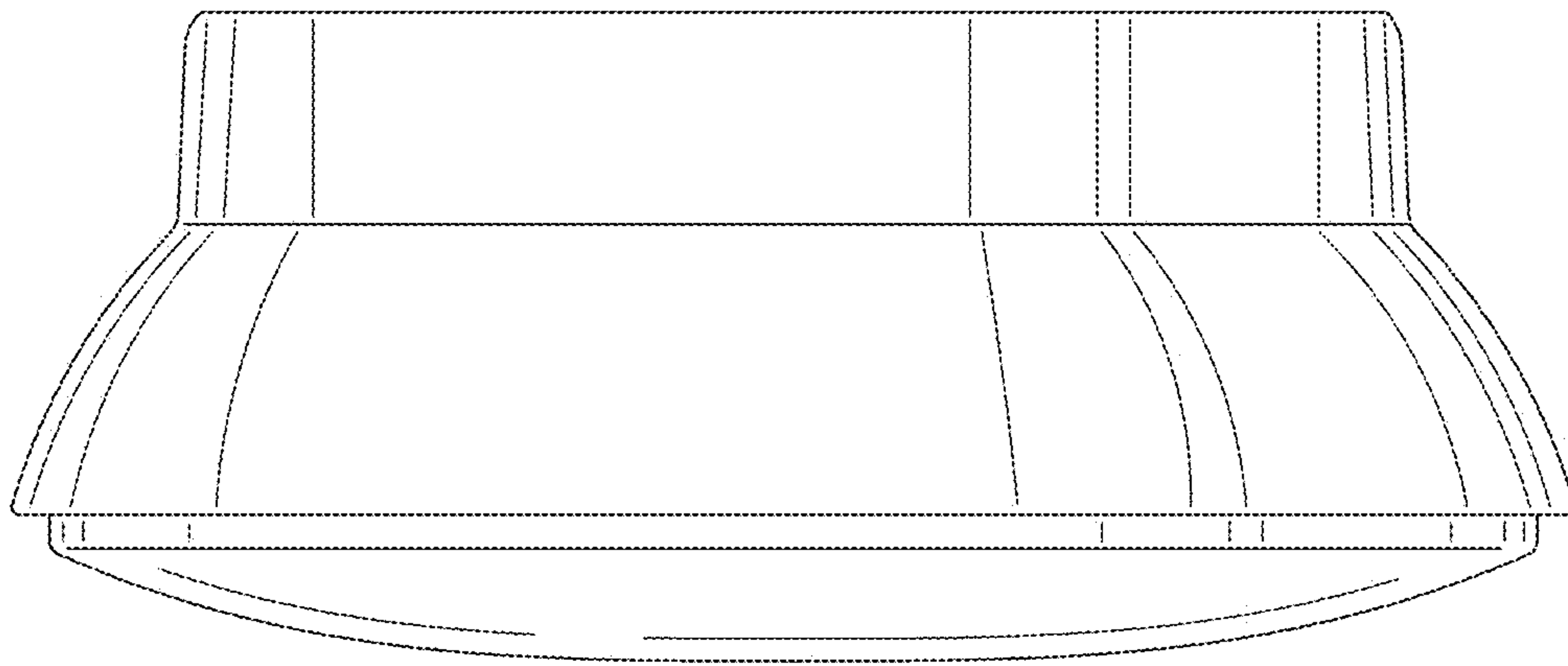


FIG. 5

UNITED STATES PATENT AND TRADEMARK OFFICE  
**CERTIFICATE OF CORRECTION**

PATENT NO. : D921,253 S  
APPLICATION NO. : 29/612225  
DATED : June 1, 2021  
INVENTOR(S) : McRoberts

Page 1 of 1

It is certified that error appears in the above-identified patent and that said Letters Patent is hereby corrected as shown below:

On the Title Page

Under the Description, FIG. 2 should read:

FIG. 2 is a top perspective view of the ceiling fan light kit of FIG. 1 but shown without the ceiling fan environment;

Signed and Sealed this  
Twenty-fifth Day of January, 2022



Drew Hirshfeld  
*Performing the Functions and Duties of the  
Under Secretary of Commerce for Intellectual Property and  
Director of the United States Patent and Trademark Office*