



US00D921252S

(12) **United States Design Patent**  
**Li et al.**

(10) **Patent No.:** **US D921,252 S**  
(45) **Date of Patent:** **\*\* Jun. 1, 2021**

(54) **GUITAR LAMP**

D216,532 S \* 2/1970 Foster, Sr. .... D26/57  
D217,495 S \* 5/1970 Levy, Jr. .... D26/57  
D468,475 S 1/2003 De Lucchi  
D861,956 S 10/2019 Preutz

(71) Applicant: **Zhiwei Li**, Nanchong (CN)

(72) Inventors: **Zhiwei Li**, Nanchong (CN); **Jianrong Jiang**, Shangrao (CN)

\* cited by examiner

(73) Assignee: **Zhiwei Li**, Nanchong (CN)

*Primary Examiner* — Marcus A Jackson

(\*\*) Term: **15 Years**

(21) Appl. No.: **29/757,951**

(57) **CLAIM**

(22) Filed: **Nov. 11, 2020**

The ornamental design for a guitar lamp, as shown and described.

(51) **LOC (13) Cl.** ..... **26-05**

(52) **U.S. Cl.**  
USPC ..... **D26/57**

**DESCRIPTION**

(58) **Field of Classification Search**

USPC ..... D26/24, 37-51, 57, 94  
CPC ..... F21L 4/00; F21L 4/02; F21L 4/04; F21L 4/08; F21L 7/00; F21L 11/00; F21L 13/00; F21L 13/04; F21L 13/08; F21L 17/00; F21L 19/00; F21L 25/00; F21S 9/02; F21S 6/00; F21S 8/08; F21S 48/145; F21V 21/30

FIG. 1 is a perspective view of a guitar lamp showing our new design;  
FIG. 2 is another perspective view thereof;  
FIG. 3 is a front elevational view thereof;  
FIG. 4 is a rear elevational view thereof;  
FIG. 5 is a left side elevational view thereof;  
FIG. 6 is a right side elevational view thereof;  
FIG. 7 is a top plan view thereof;  
FIG. 8 is a bottom plan view thereof; and,  
FIG. 9 is an enlarged view of portion 9 shown in FIG. 1.  
The broken lines in the drawings depict portions of the guitar lamp that form no part of the claimed design.

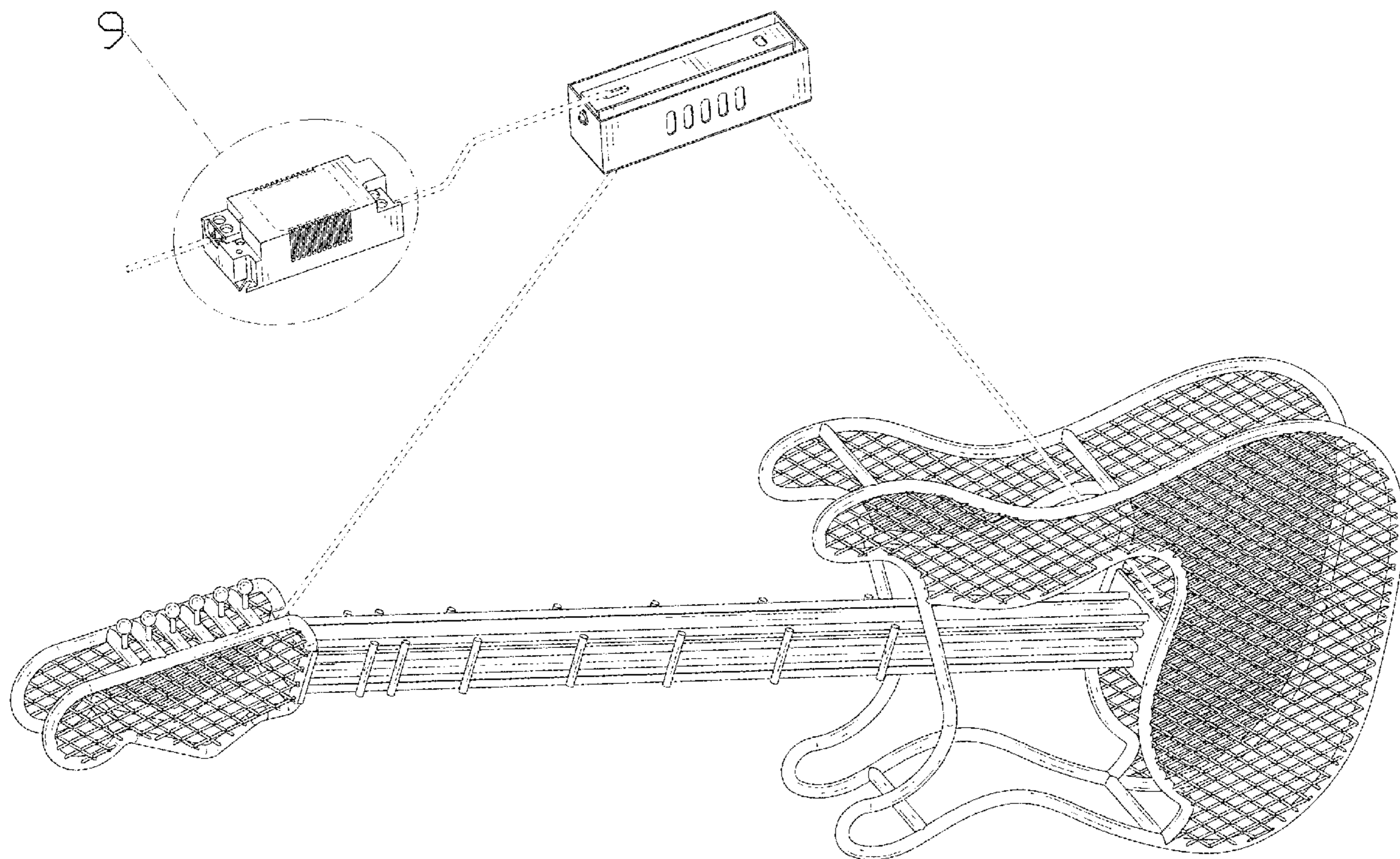
See application file for complete search history.

(56) **References Cited**

**U.S. PATENT DOCUMENTS**

D171,445 S \* 2/1954 Goldman et al. .... D26/57  
D194,550 S \* 2/1963 Margolis ..... D26/57

**1 Claim, 9 Drawing Sheets**





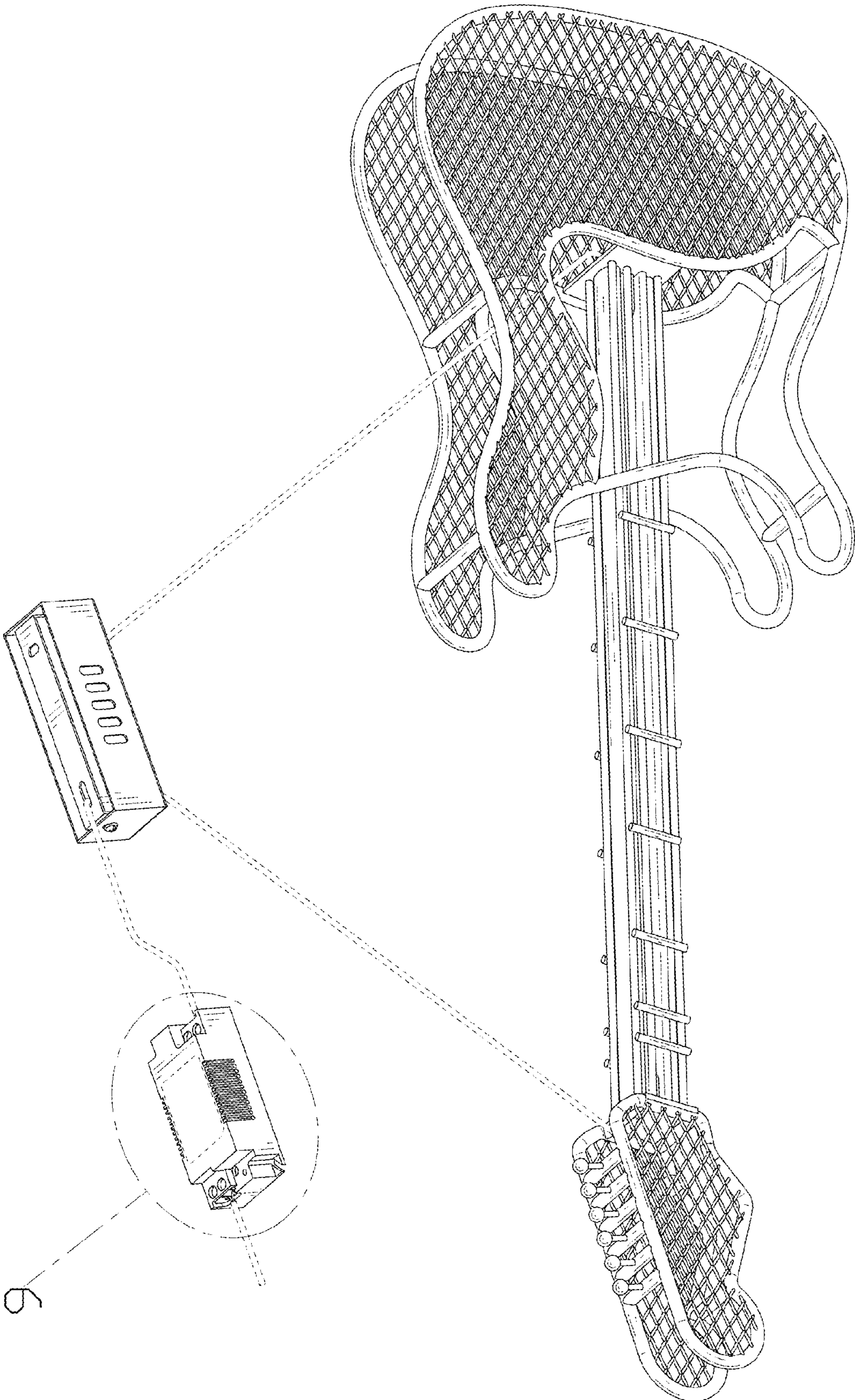


FIG. 1



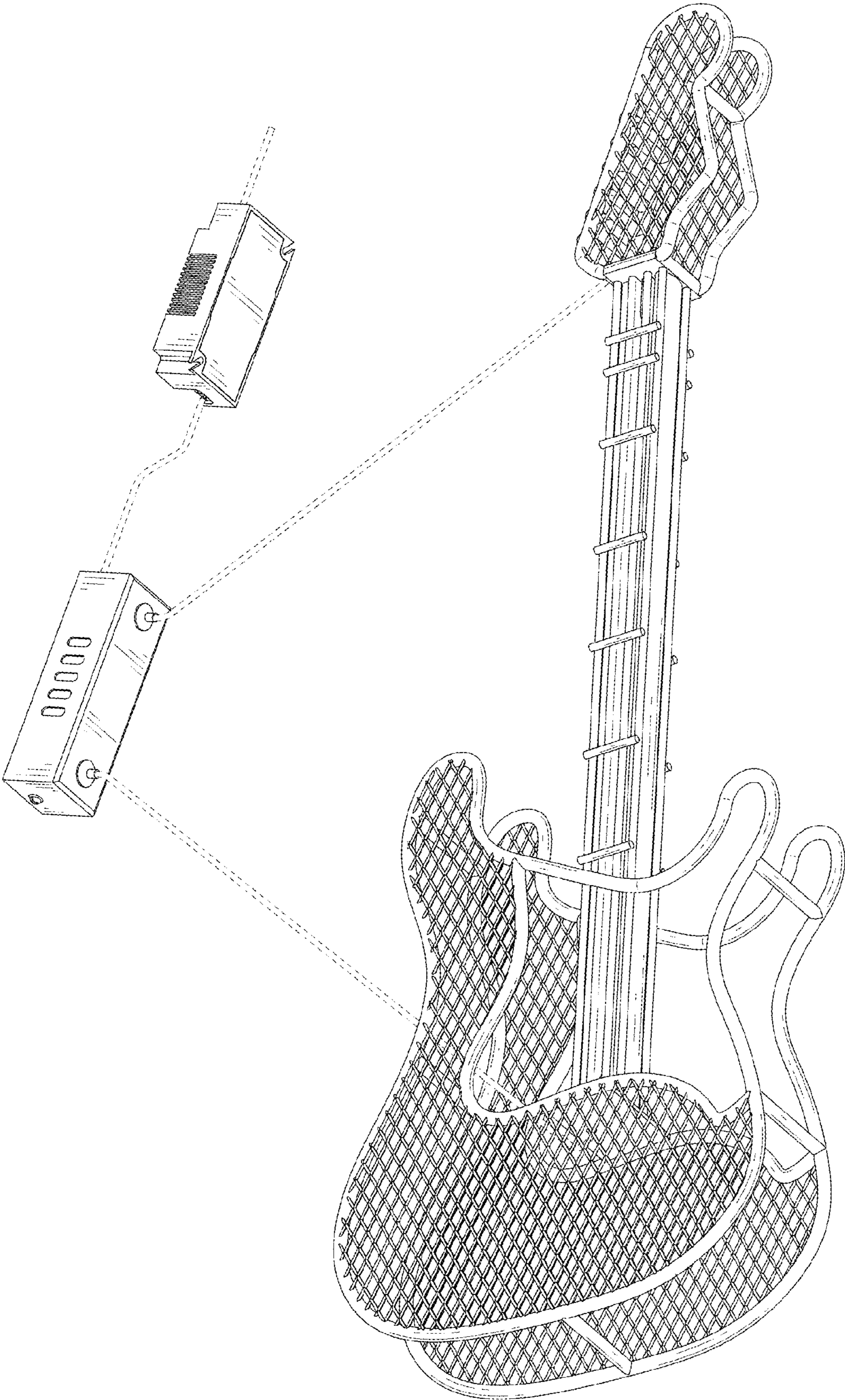


FIG. 2

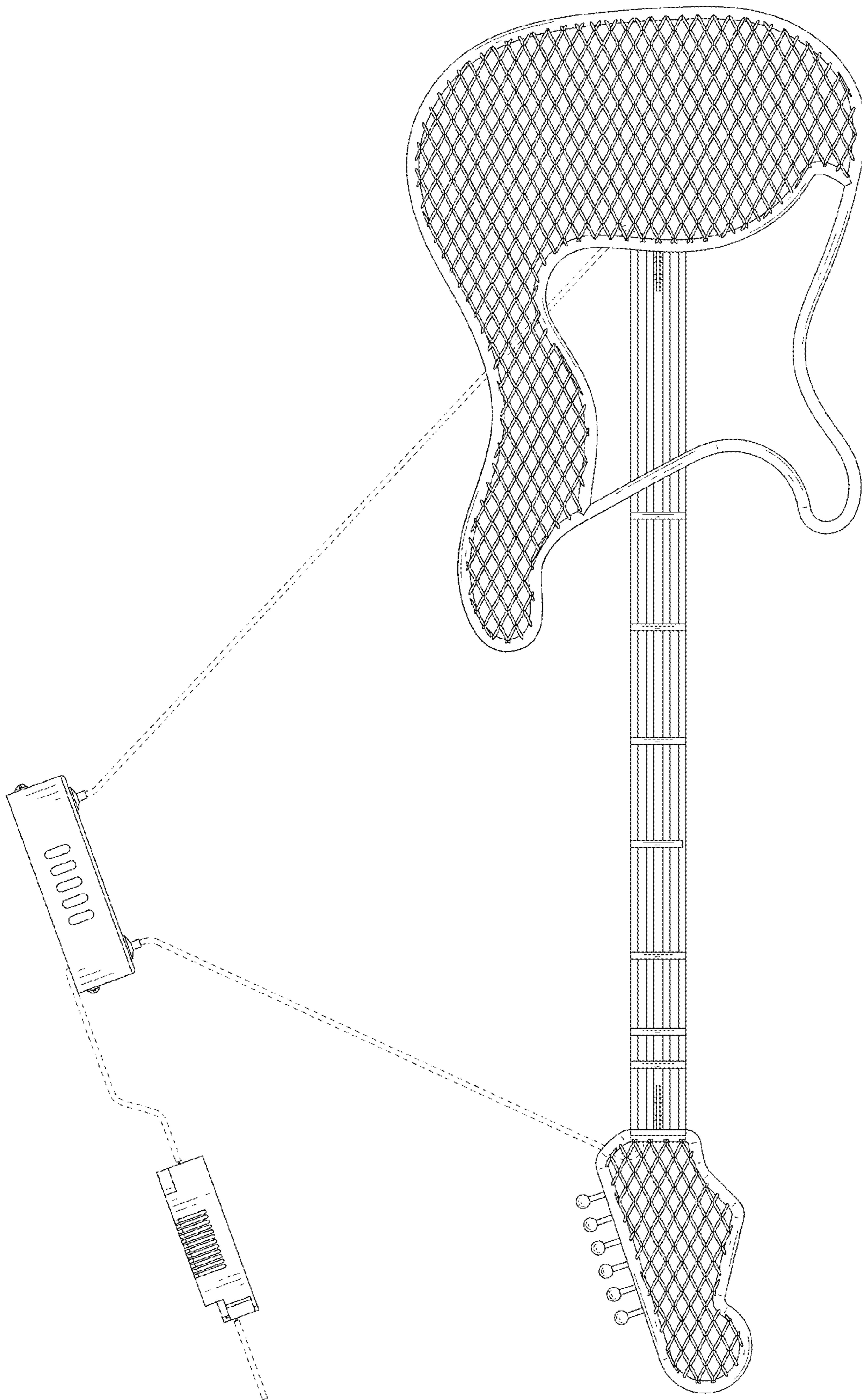


FIG. 3



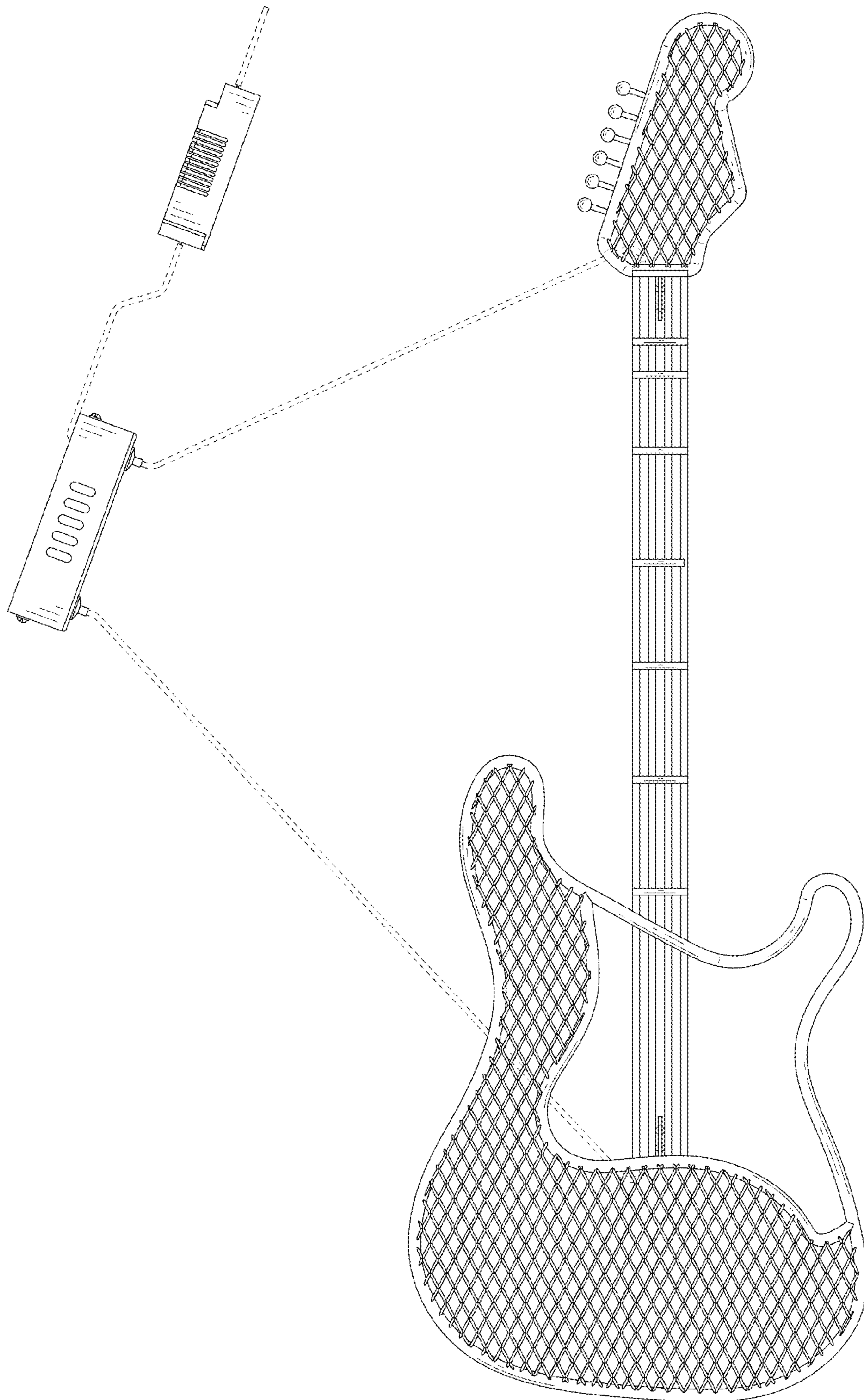


FIG. 4

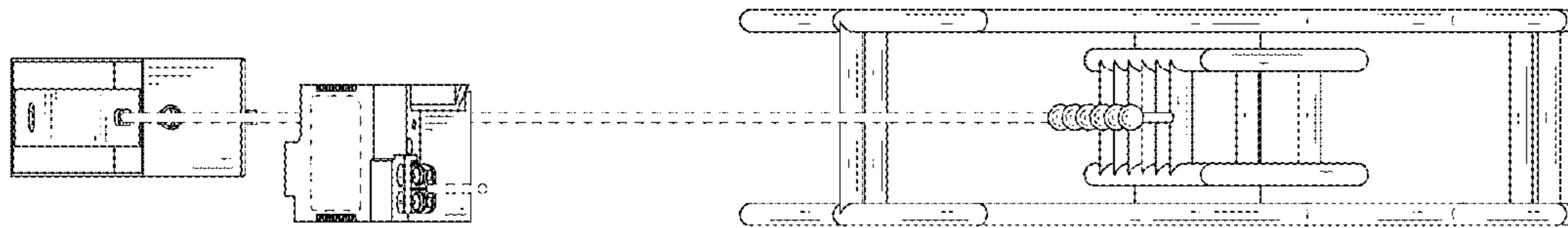


FIG. 5

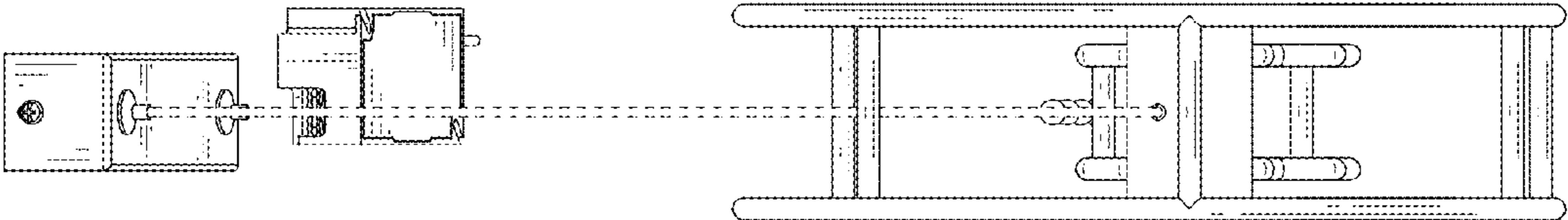


FIG. 6

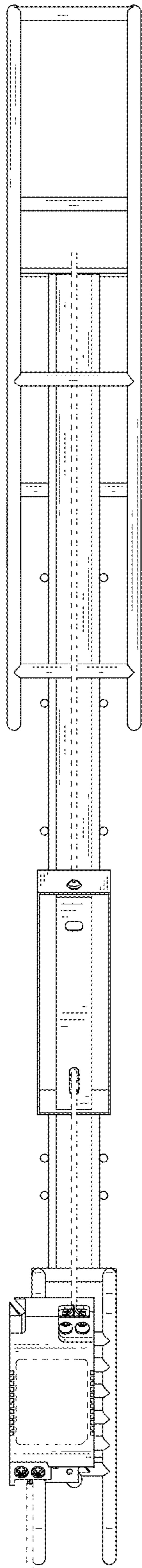


FIG. 7



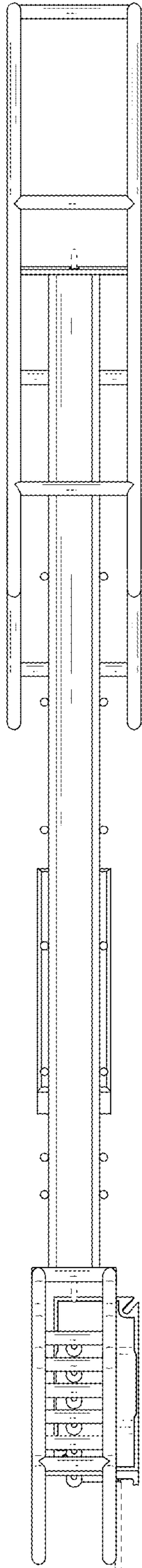


FIG. 8

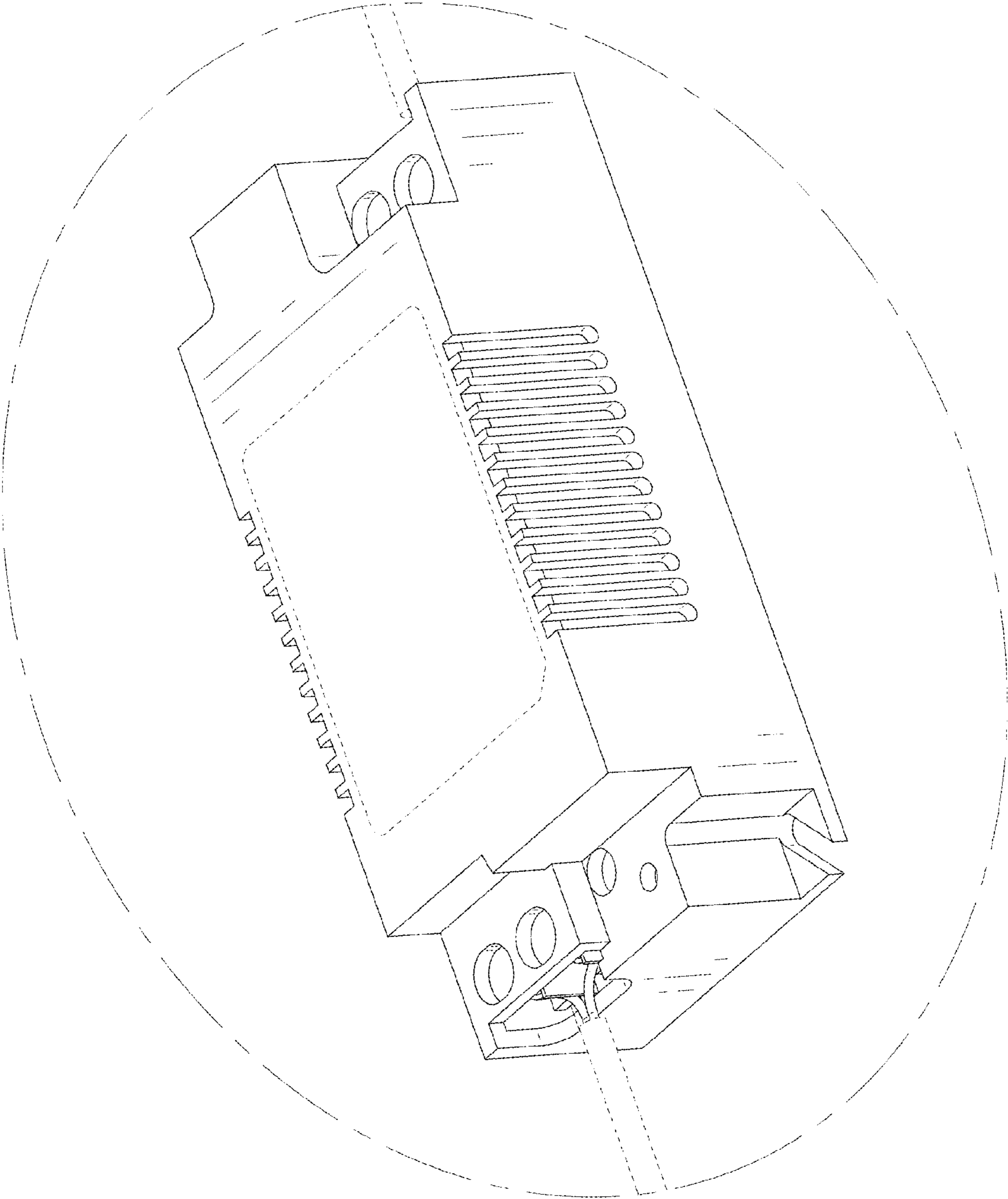


FIG. 9