

US00D921251S

(12) **United States Design Patent** (10) **Patent No.:** **US D921,251 S**
Scholz et al. (45) **Date of Patent:** **** Jun. 1, 2021**

(54) **HAND LAMP**

(56) **References Cited**

(71) Applicant: **Ledlenser GmbH & Co. KG**, Solingen (DE)

U.S. PATENT DOCUMENTS

(72) Inventors: **Ulrich Scholz**, Ratingen (DE); **André Kunzendorf**, Wuppertal (DE)

D362,735 S *	9/1995	Hiromori	D26/37
D388,201 S *	12/1997	Zurwelle	D26/37
D413,994 S *	9/1999	Glowers	D26/44
D427,346 S *	6/2000	Schoen	D26/45
D445,925 S *	7/2001	Parker	D26/37
D590,971 S *	4/2009	Spartano	D26/44
D599,925 S *	9/2009	Kingston	D26/44
D599,926 S *	9/2009	Schoch	D26/45
D681,246 S *	4/2013	Keeley	D26/44
D681,858 S *	5/2013	Sharrah	D26/49
D700,384 S *	2/2014	Lee	D26/45
D712,080 S *	8/2014	Trude	D26/37
D785,065 S *	4/2017	Huang	D16/135
D809,170 S *	1/2018	Marzynski	D26/45
D833,661 S *	11/2018	Ma	D26/45
D884,942 S *	5/2020	Sharrah	D26/37

(73) Assignee: **LEDLENSER GMBH & CO. KG**, Solingen (DE)

(**) Term: **15 Years**

(21) Appl. No.: **35/508,076**

(22) Filed: **Jul. 26, 2019**

(80) **Hague Agreement Data**

Int. Filing Date: **Jul. 26, 2019**

Int. Reg. No.: **DM/204541**

Int. Reg. Date: **Jul. 26, 2019**

Int. Reg. Pub. Date: **Dec. 13, 2019**

(51) **LOC (13) Cl.** **26-02**

(52) **U.S. Cl.**
USPC **D26/44**

(58) **Field of Classification Search**

USPC D26/40, 41, 67, 70, 72, 74, 76, 78, 79, D26/80, 81, 82, 83, 85, 86, 88, 90, 93, D26/111, 113, 118, 119, 120, 121, 122, D26/138, 139, 140, 141, 142, 152
CPC F21S 2/00; F21S 4/00; F21S 4/003; F21S 4/005; F21S 4/006; F21S 4/007; F21S 4/008; F21S 6/00; F21S 8/00; F21S 8/024; F21S 8/026; F21S 8/031; F21S 8/033; F21S 8/035-037; F21S 8/04; F21S 8/043; F21S 8/063

See application file for complete search history.

* cited by examiner

Primary Examiner — Natasha Vujcic

(74) *Attorney, Agent, or Firm* — Alston & Bird LLP

(57) **CLAIM**

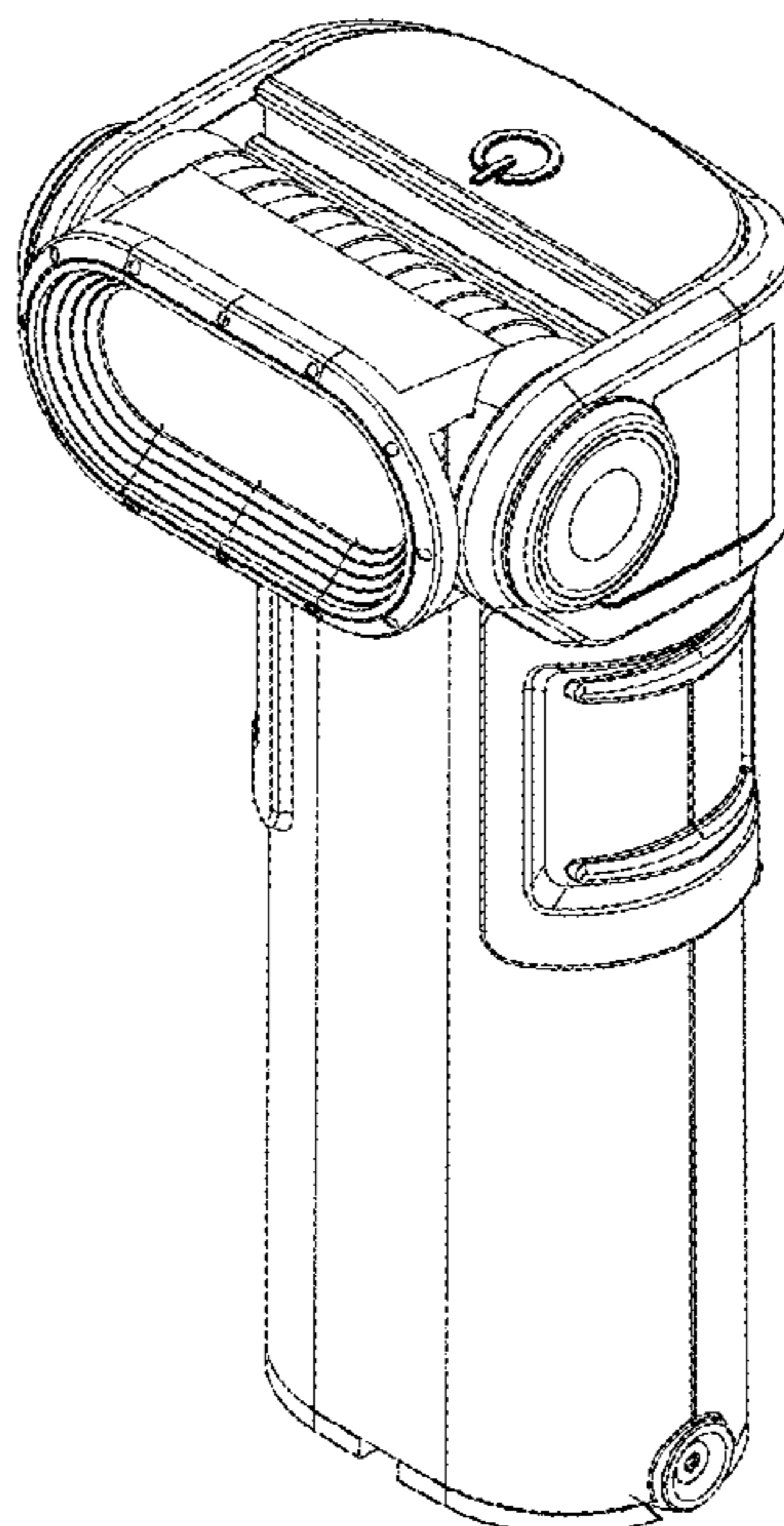
The ornamental design for a hand lamp, as shown and described.

DESCRIPTION

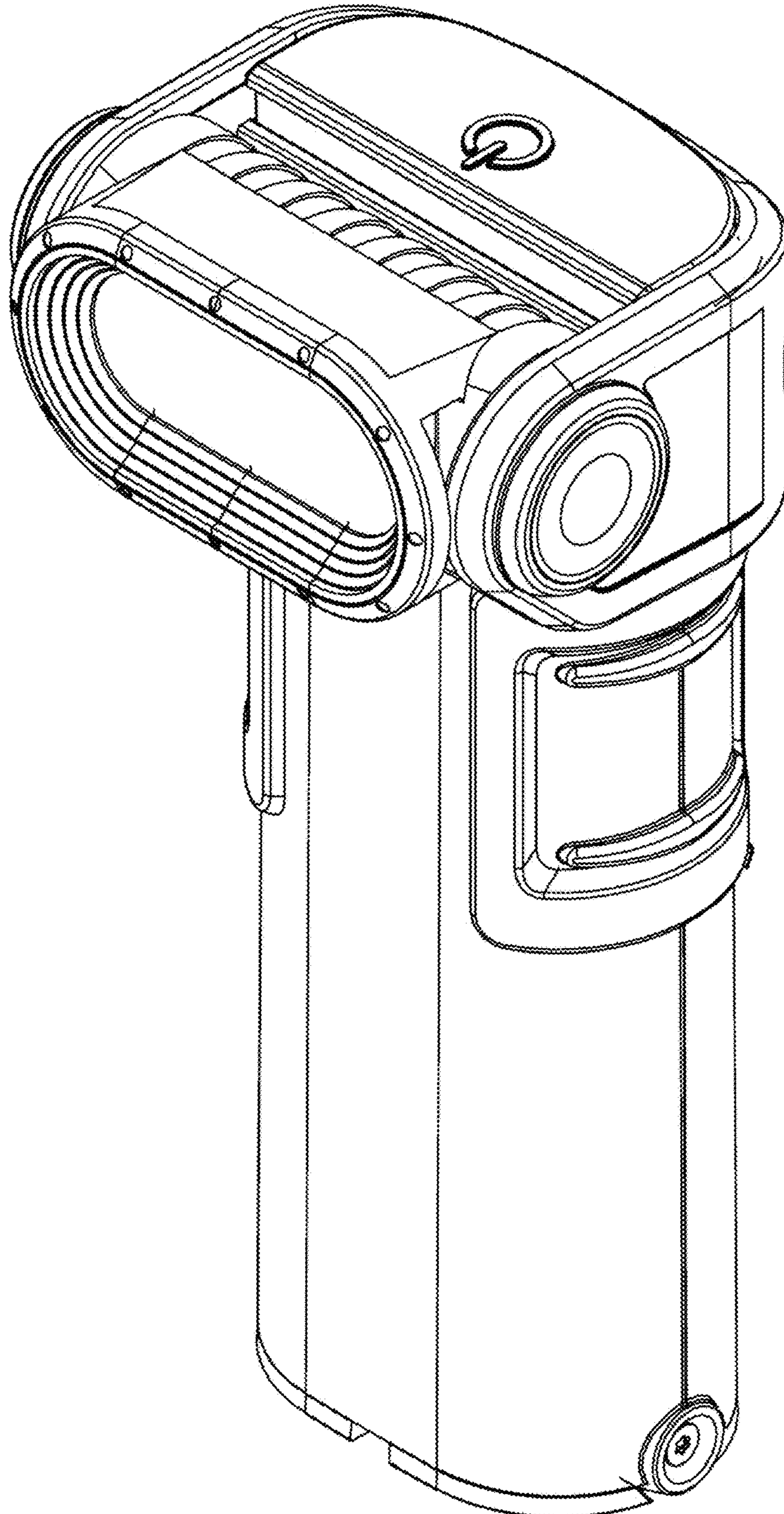
- 1. Hand lamp
- 1.1: Perspective
- 1.2: Back
- 1.3: Front
- 1.4: Right
- 1.5: Back
- 1.6: Top
- 1.7: Bottom

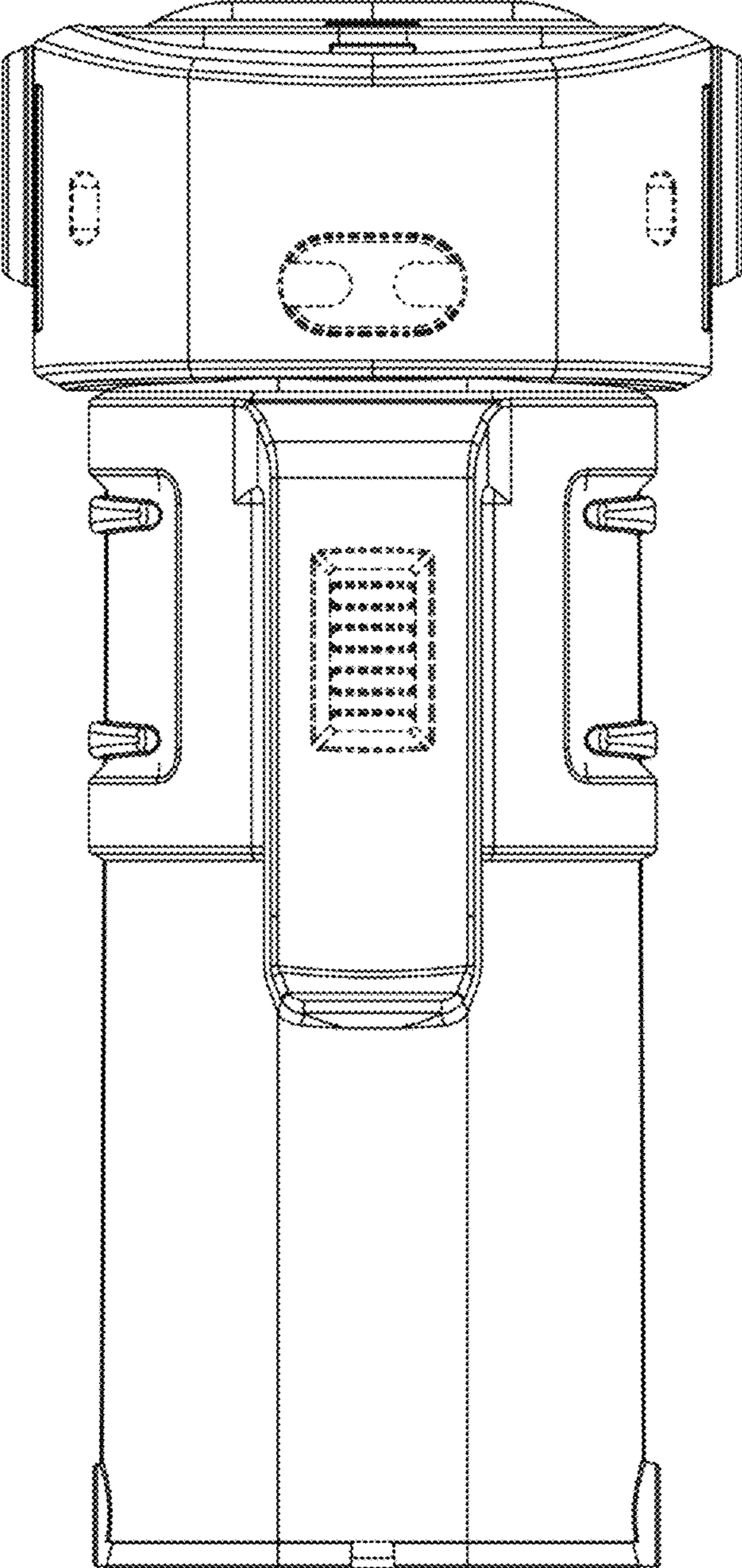
The broken lines in the drawings illustrate portions of the hand lamp and form no part of the claimed design.

1 Claim, 7 Drawing Sheets



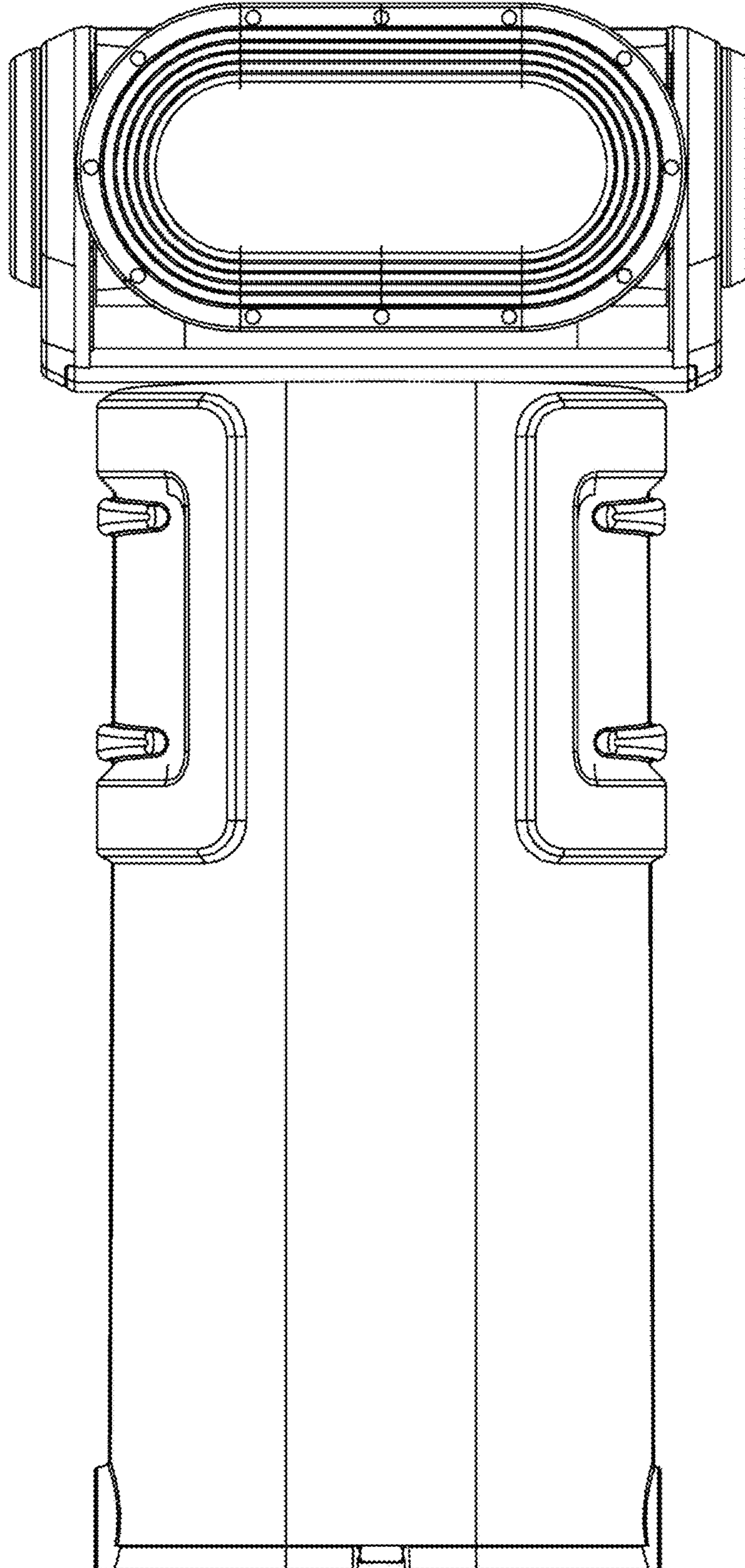
1.1

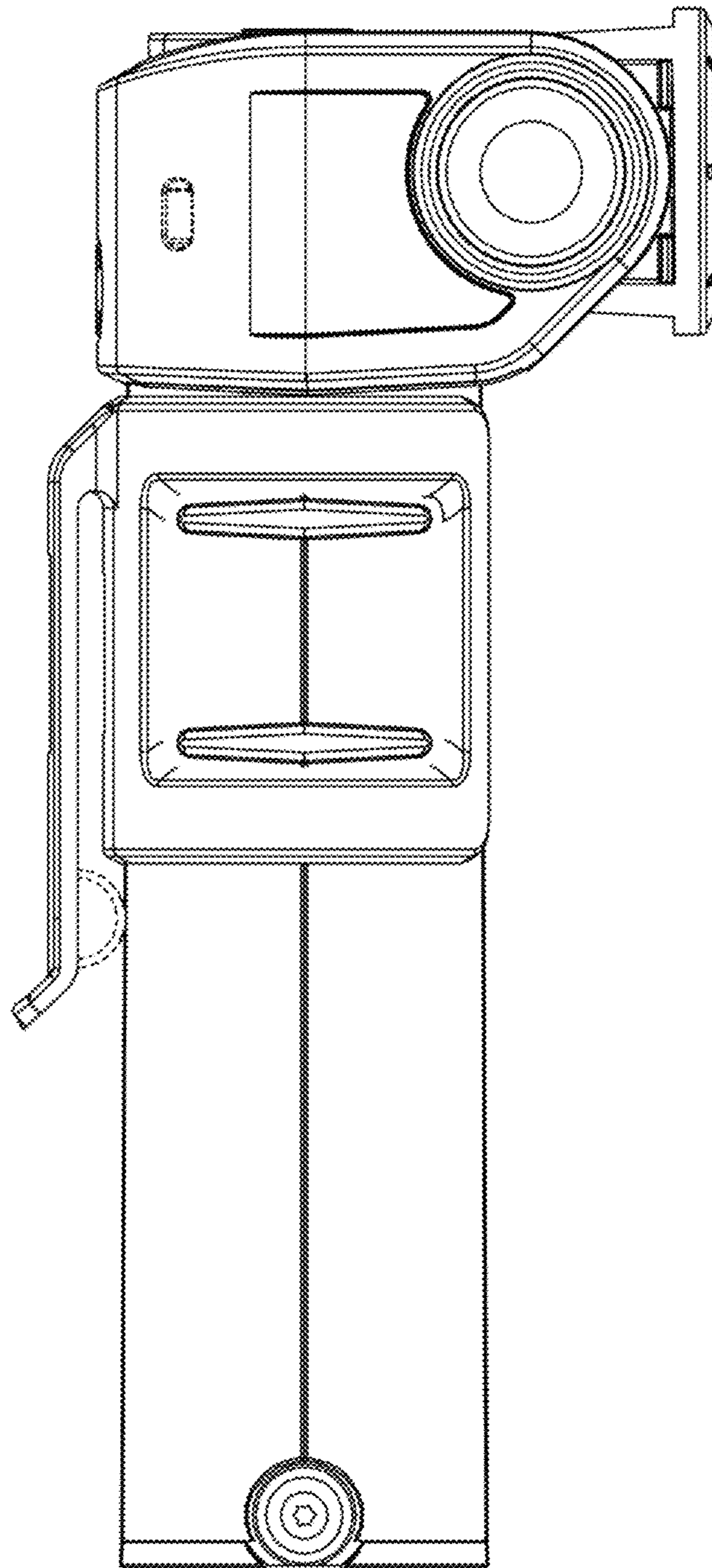




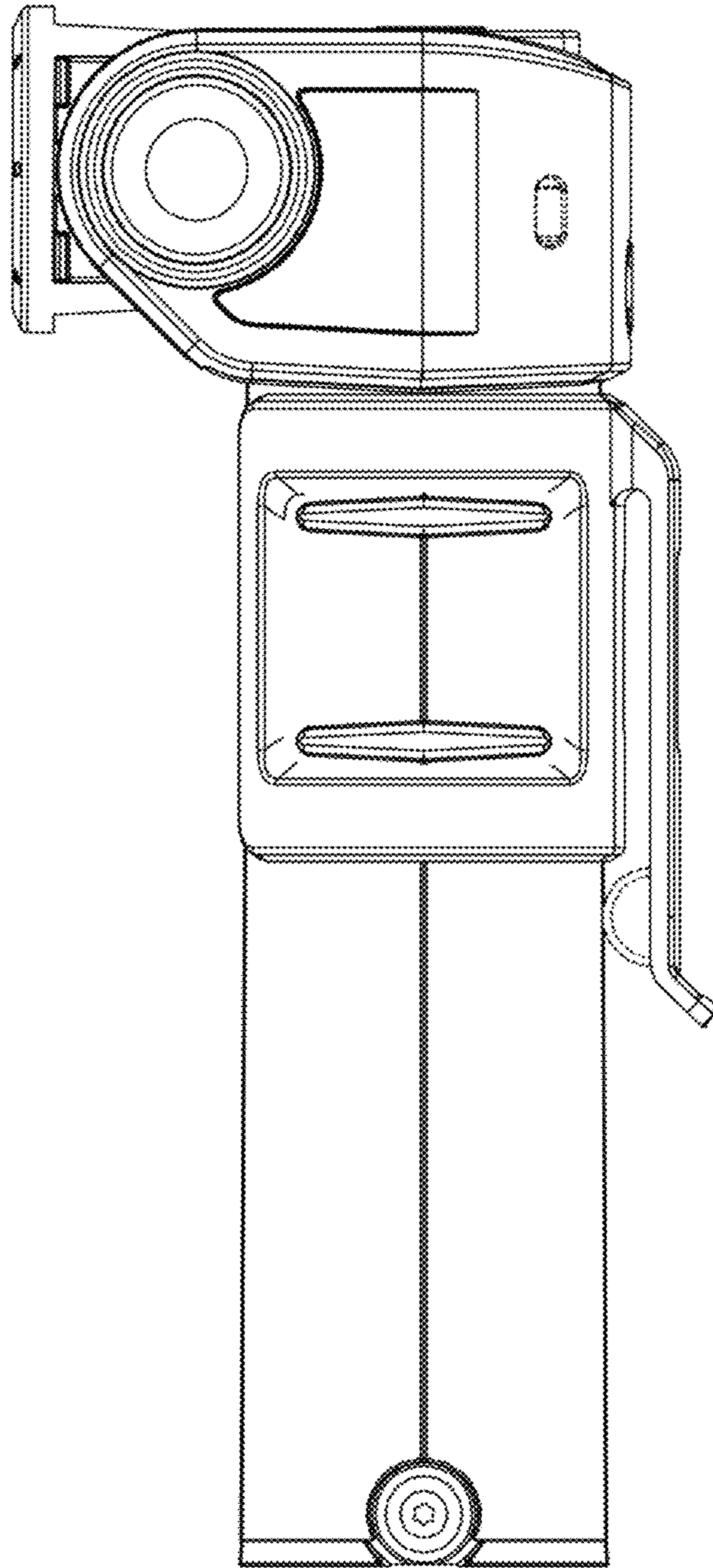
1.2

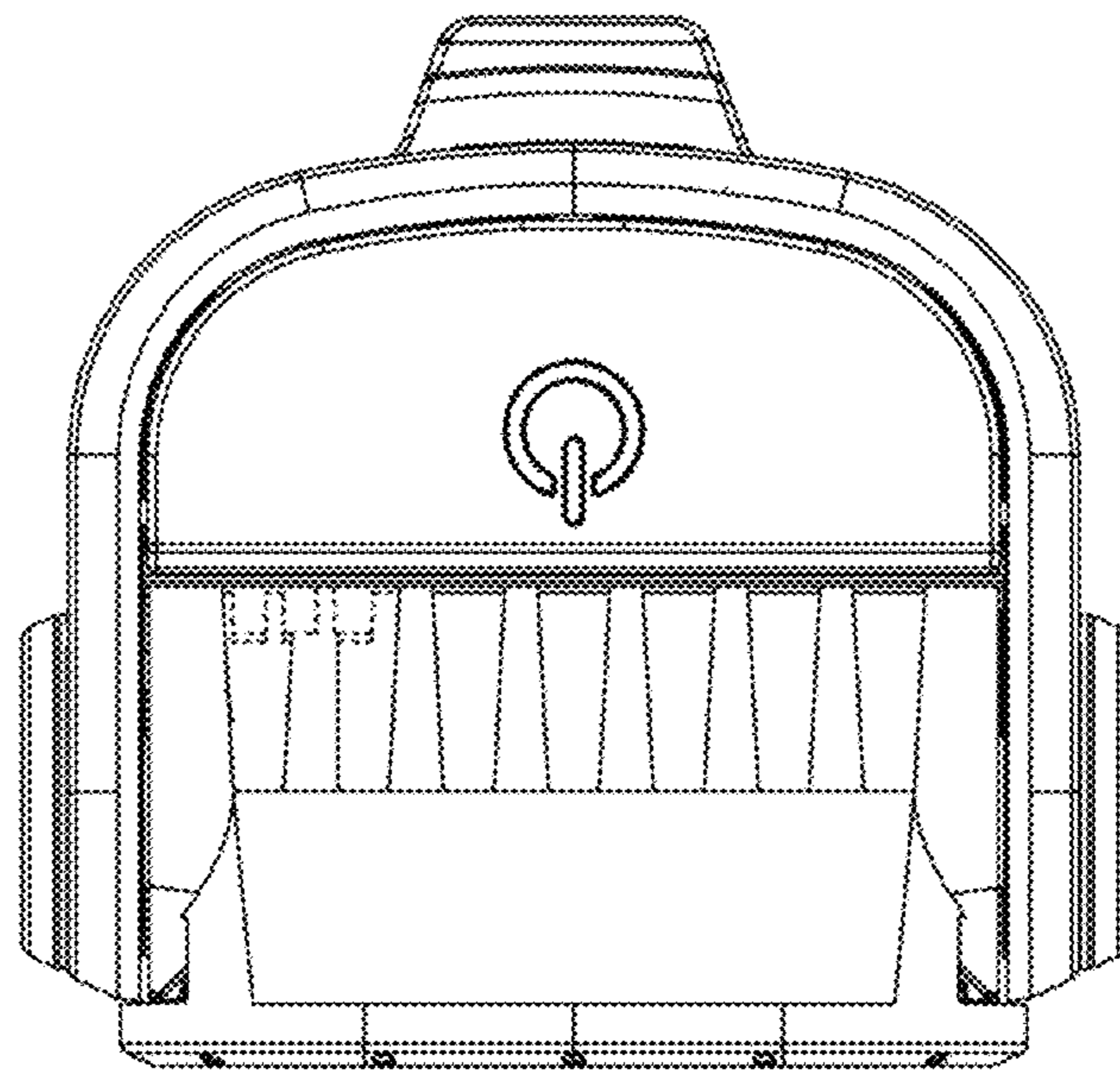
1.3



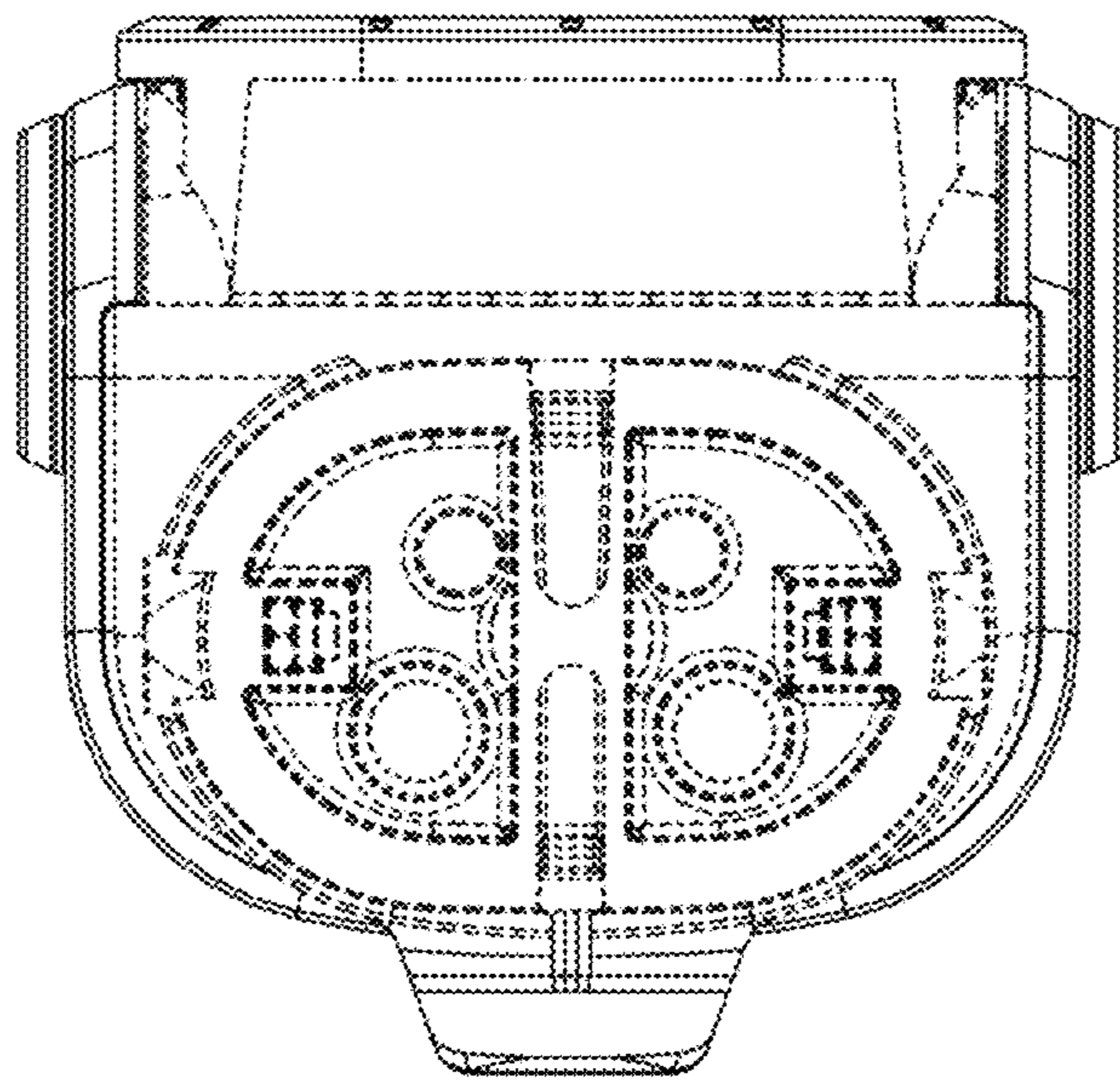


1.4





1.6



1.7

UNITED STATES PATENT AND TRADEMARK OFFICE
CERTIFICATE OF CORRECTION

PATENT NO. : D921,251 S
APPLICATION NO. : 35/508076
DATED : June 1, 2021
INVENTOR(S) : Ulrich Scholz and Andre Kunzendorf

Page 1 of 1

It is certified that error appears in the above-identified patent and that said Letters Patent is hereby corrected as shown below:

On the Title Page

After Item (22), insert the following:

-- (30) **Foreign Application Priority Data**

Feb. 11, 2019 (EUIPO) 006222121-0003 --.

Signed and Sealed this
Twenty-first Day of September, 2021



Drew Hirshfeld
*Performing the Functions and Duties of the
Under Secretary of Commerce for Intellectual Property and
Director of the United States Patent and Trademark Office*