



US00D921250S

(12) **United States Design Patent** (10) **Patent No.:** **US D921,250 S**
Xiao (45) **Date of Patent:** **** Jun. 1, 2021**

(54) **PORTABLE LANTERN**

(56) **References Cited**

(71) Applicant: **Ledlenser GmbH & Co. KG**, Solingen (DE)

U.S. PATENT DOCUMENTS

(72) Inventor: **Bin Xiao**, Düsseldorf (DE)

D296,009 S *	5/1988	Witusik	D26/41
D317,057 S *	5/1991	Argandona	D26/40
D485,385 S *	1/2004	Lo	D26/40
D537,967 S *	3/2007	Lo	D26/40
D568,511 S *	5/2008	Datz	D26/40
D568,512 S *	5/2008	Shiu	D26/40
D604,436 S *	11/2009	Poon	D26/40
D670,014 S *	10/2012	Bertken	D26/40
D693,499 S *	11/2013	Bennett	D26/37
D776,315 S *	1/2017	Wu	D26/41
D787,104 S *	5/2017	Wu	D26/41
D845,527 S *	4/2019	Hsu	D26/41
D857,959 S *	8/2019	Yu	D26/41
D894,455 S *	8/2020	Kunzendorf	D26/41

(73) Assignee: **LEDLENSER GMBH & CO. KG**, Solingen (DE)

(**) Term: **15 Years**

(21) Appl. No.: **35/508,081**

(22) Filed: **Sep. 19, 2019**

(80) **Hague Agreement Data**

Int. Filing Date: **Sep. 19, 2019**

Int. Reg. No.: **DM/204607**

Int. Reg. Date: **Sep. 19, 2019**

Int. Reg. Pub. Date: **Dec. 13, 2019**

(30) **Foreign Application Priority Data**

Mar. 22, 2019 (DE) 40 2019 100 364.9

(51) **LOC (13) Cl.** **26-02**

(52) **U.S. Cl.**
USPC **D26/41**

(58) **Field of Classification Search**

USPC D26/40, 41, 67, 70, 72, 74, 76, 78, 79,
D26/80, 81, 82, 83, 85, 86, 88, 90, 93,
D26/111, 113, 118, 119, 120, 121, 122,
D26/138, 139, 140, 141, 142, 152

CPC F21S 2/00; F21S 4/00; F21S 4/003; F21S
4/005; F21S 4/006; F21S 4/007; F21S
4/008; F21S 6/00; F21S 8/00; F21S
8/024; F21S 8/026; F21S 8/031; F21S
8/033; F21S 8/035-037; F21S 8/04; F21S
8/043; F21S 8/063

See application file for complete search history.

* cited by examiner

Primary Examiner — Natasha Vujcic

(74) *Attorney, Agent, or Firm* — Alston & Bird LLP

(57) **CLAIM**

The ornamental design for a portable lantern, as shown and described.

DESCRIPTION

1. Portable lantern

1.1: Perspective

1.2: Left

1.3: Bottom

1.4: Right

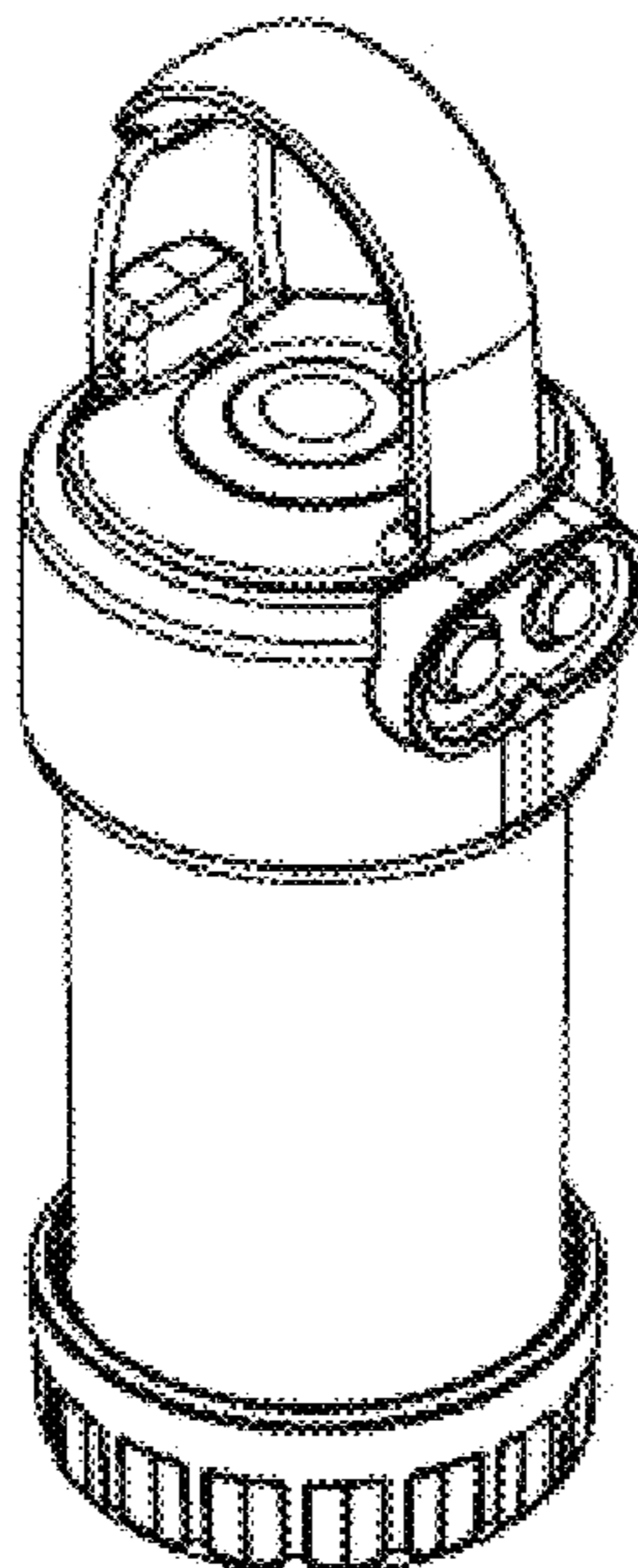
1.5: Back

1.6: Front

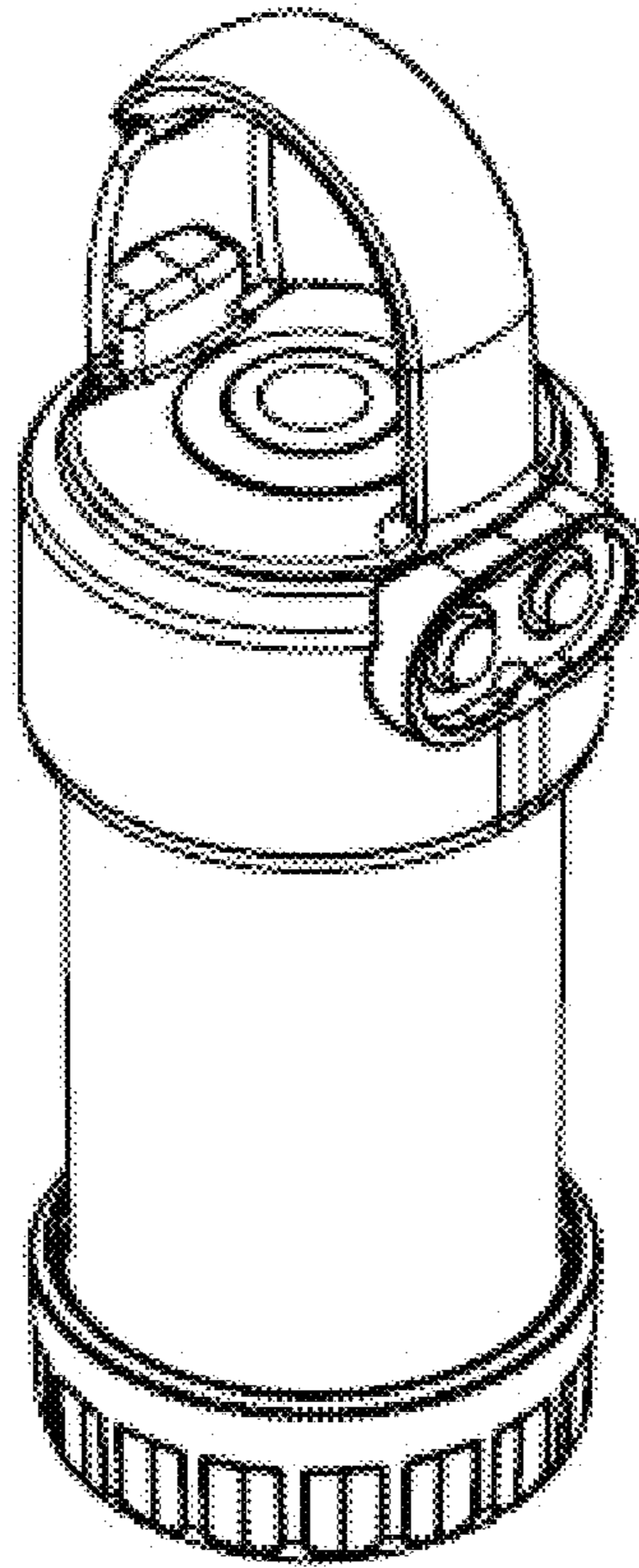
1.7: Top

The broken lines in the drawings illustrate portions of the portable lantern and form no part of the claimed design.

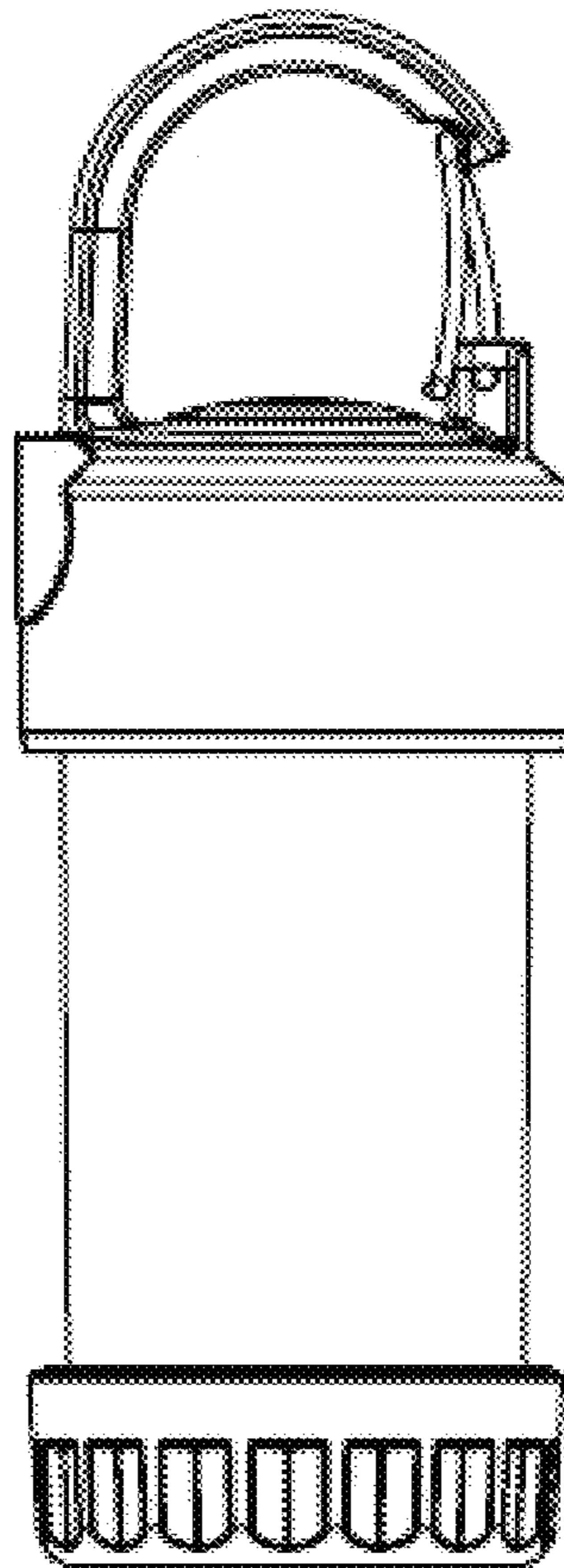
1 Claim, 7 Drawing Sheets



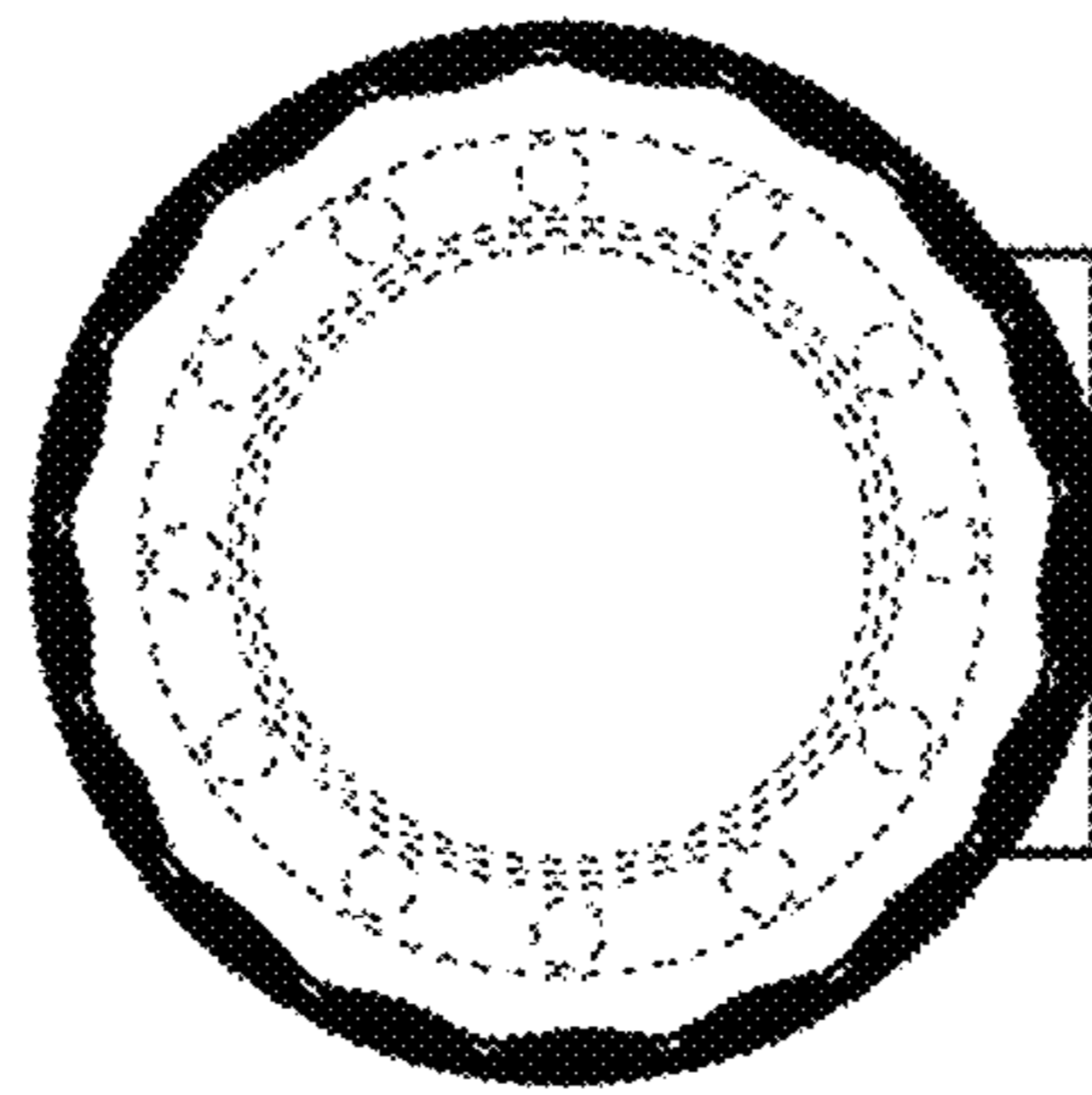
1.1



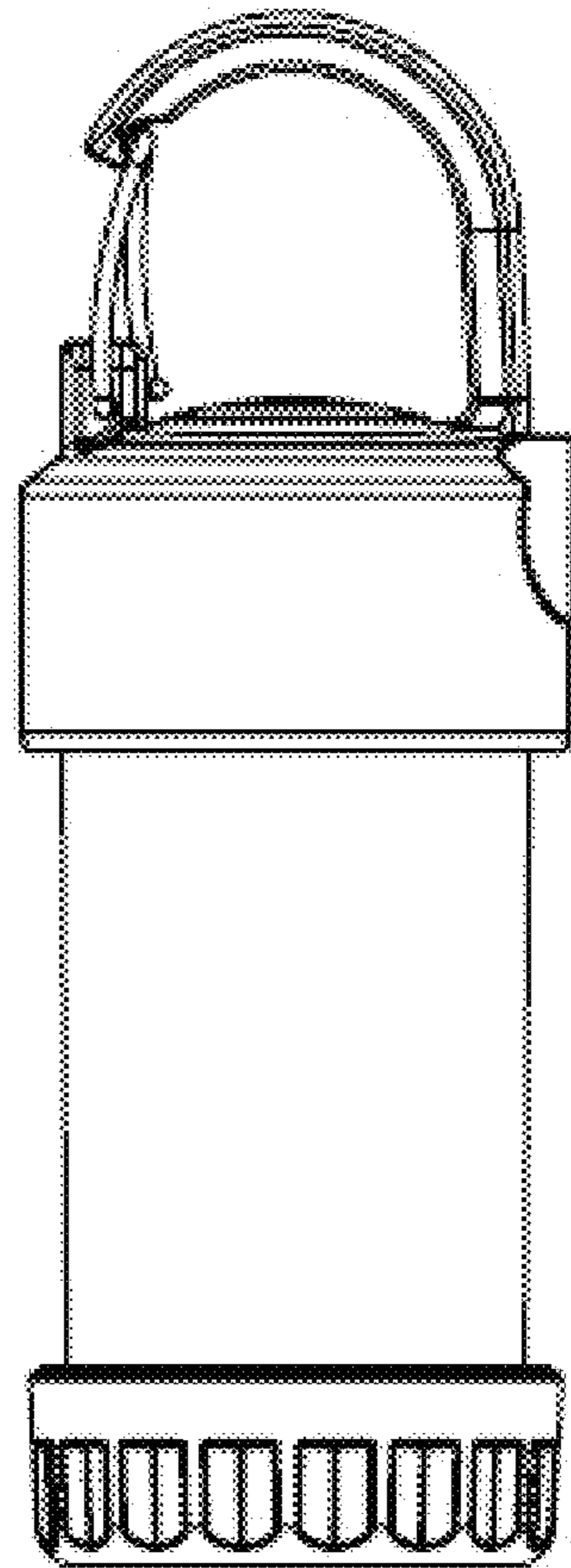
1.2



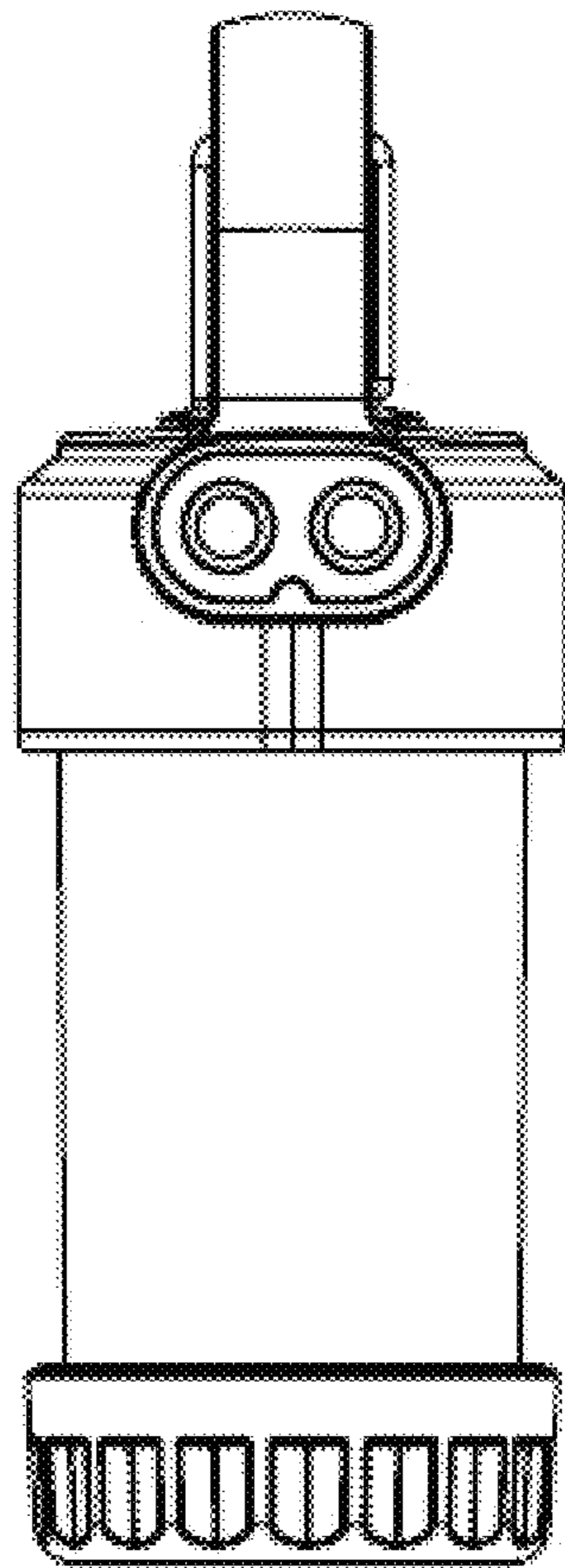
1.3



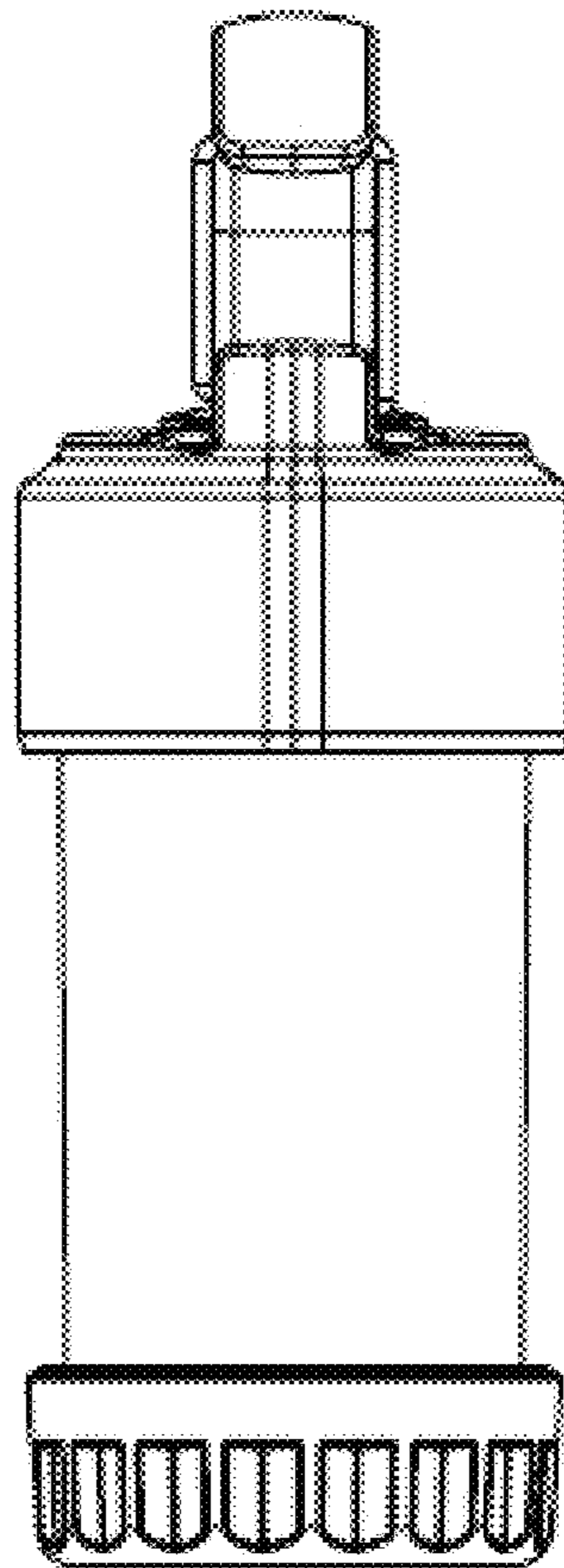
1.4



1.5



1.6



1.7

