

US00D921248S

(12) **United States Design Patent** (10) **Patent No.:** **US D921,248 S**
Shang et al. (45) **Date of Patent:** **** Jun. 1, 2021**

(54) **ULTRA SLIM HANDHELD ALUMINIUM LED WORK LAMP**

(71) Applicant: **AEC LIGHTING SOLUTIONS CO., Ltd, Shanghai (CN)**

(72) Inventors: **Binhui Shang, Shanghai (CN); Mingxiang Hao, Shanghai (CN)**

(73) Assignee: **AEC LIGHTING SOLUTIONS CO., LTD, Shanghai (CN)**

(**) Term: **15 Years**

(21) Appl. No.: **29/692,360**

(22) Filed: **May 24, 2019**

(30) **Foreign Application Priority Data**

Feb. 11, 2019 (EM) 006221545

(51) **LOC (13) Cl.** **26-02**

(52) **U.S. Cl.**
USPC **D26/37**

(58) **Field of Classification Search**
USPC D26/1, 24–25, 37–38, 40–52, 60
CPC F21V 33/00; F21V 14/025; F21V 21/406;
F21L 13/08; F21L 17/00; F21L 4/00;
F21L 4/005; F21L 4/02; F21L 4/022;
F21L 4/025; F21L 4/027; F21L 4/04;
F21L 4/045; F21L 4/085; F21L 14/02;
F21L 2003/00; F21Y 2101/02

See application file for complete search history.

(56) **References Cited**

U.S. PATENT DOCUMENTS

D434,867 S * 12/2000 Merrell D26/37
D453,580 S * 2/2002 Lynch D26/46
D475,149 S * 5/2003 Chun D26/37
D477,432 S * 7/2003 Parsons D26/37
D518,584 S * 4/2006 Chan D26/37

D602,186 S * 10/2009 Lee D26/37
D615,676 S * 5/2010 Lee D26/37
D632,816 S * 2/2011 Lee D26/48
D647,229 S * 10/2011 Ma D26/37
D665,734 S * 8/2012 Fitch D13/107
D682,449 S * 5/2013 Scazziga D26/37

(Continued)

FOREIGN PATENT DOCUMENTS

JP D1652301 * 1/2020

OTHER PUBLICATIONS

alibaba.com: ALS Mini-Flashlight 60lm Rechargeable LED Keychain Light. Undated online product page. Retrieved on Oct. 1, 2020 from <https://www.alibaba.com/product-detail/ALS-Mini-flashlight-60lm-Rechargeable-LED_62337950430.html> (Year: 2020).*

(Continued)

Primary Examiner — Brian N. Vinson
(74) *Attorney, Agent, or Firm* — Berg Hill Greenleaf Ruscitti LLP

(57) **CLAIM**

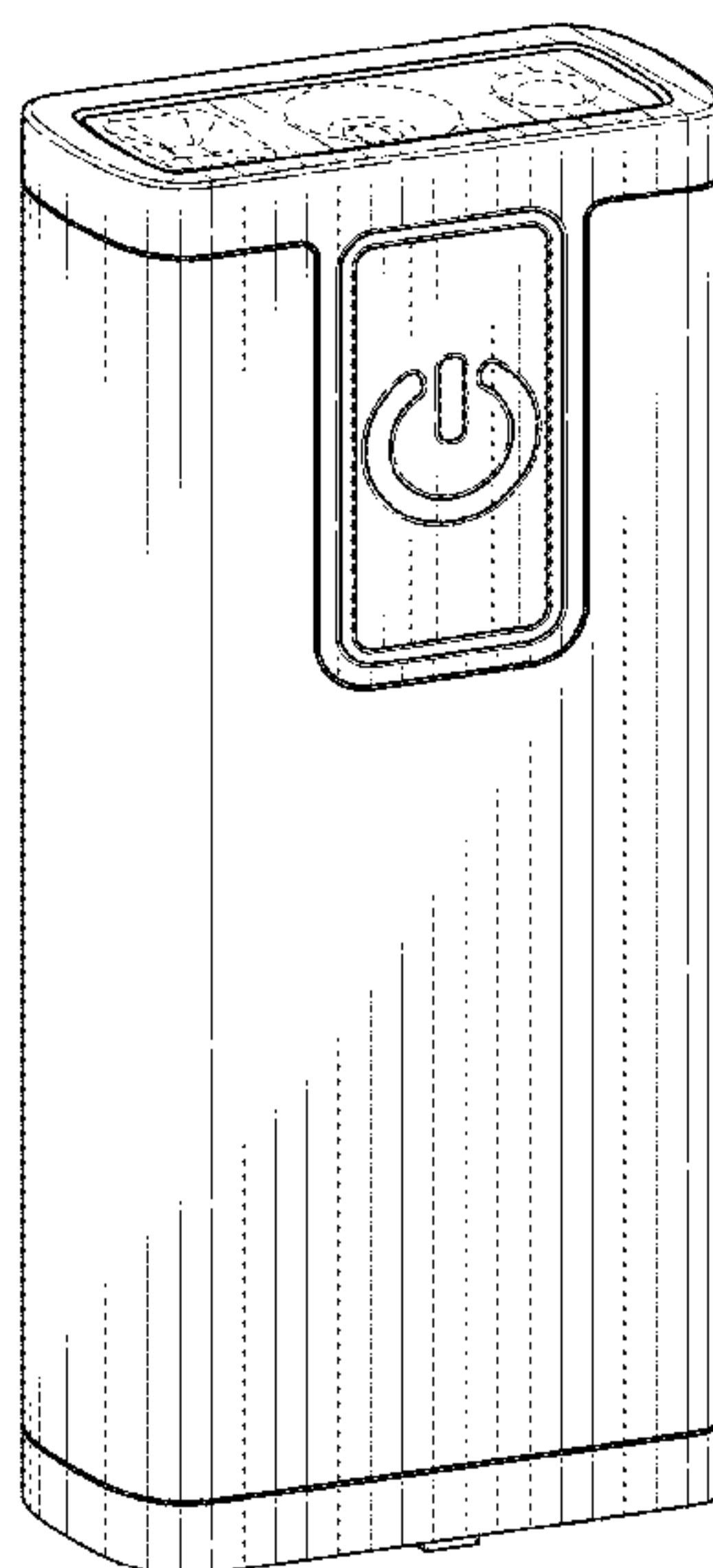
The ornamental design for an ultra slim handheld aluminium LED work lamp, as shown and described.

DESCRIPTION

FIG. 1 is a perspective view of the ultra slim handheld aluminum LED work lamp showing my new design; FIG. 2 is a front elevation view thereof; FIG. 3 is a rear elevation view thereof; FIG. 4 is a left side elevation view thereof; FIG. 5 is a right side elevation view thereof; FIG. 6 is a top plan view thereof; and, FIG. 7 is a bottom plan view thereof.

Throughout the drawings the broken lines depict portions of the ultra slim handheld aluminum LED work lamp that form no part of the claimed design.

1 Claim, 4 Drawing Sheets



(56)

References Cited

U.S. PATENT DOCUMENTS

D698,960	S	*	2/2014	Wu	D26/48
D699,378	S	*	2/2014	DiLuciano	D26/37
D708,129	S	*	7/2014	Houghton	D13/103
D760,414	S	*	6/2016	Brown	D26/37
D781,812	S	*	3/2017	Cho	D14/204
D812,000	S	*	3/2018	Li	D13/108
D842,237	S	*	3/2019	Qiu	D13/103
D865,252	S	*	10/2019	Peters	D26/60
D867,178	S	*	11/2019	Deng	D10/70
D871,324	S	*	12/2019	Roberts	D13/108
D875,978	S	*	2/2020	Willows	D26/39
D877,070	S	*	3/2020	Lemelson	D13/108
D892,124	S	*	8/2020	Shim	D14/435
2017/0119044	A1	*	5/2017	Oligschlaeger	B65D 25/10

OTHER PUBLICATIONS

amazon.com: LED Keychain Flashlight By Energizer. Date uploaded Aug. 18, 2018 [site visited Oct. 1, 2020], Retrieved from internet, <https://www.amazon.com/Energizer-Keychain-Light-Touch-Technology/dp/B07GLTX41W/ref=sr_1_27?dchild=1&keywords=ALS+Mini-Flashlight . . . > (Year: 2018).*

* cited by examiner

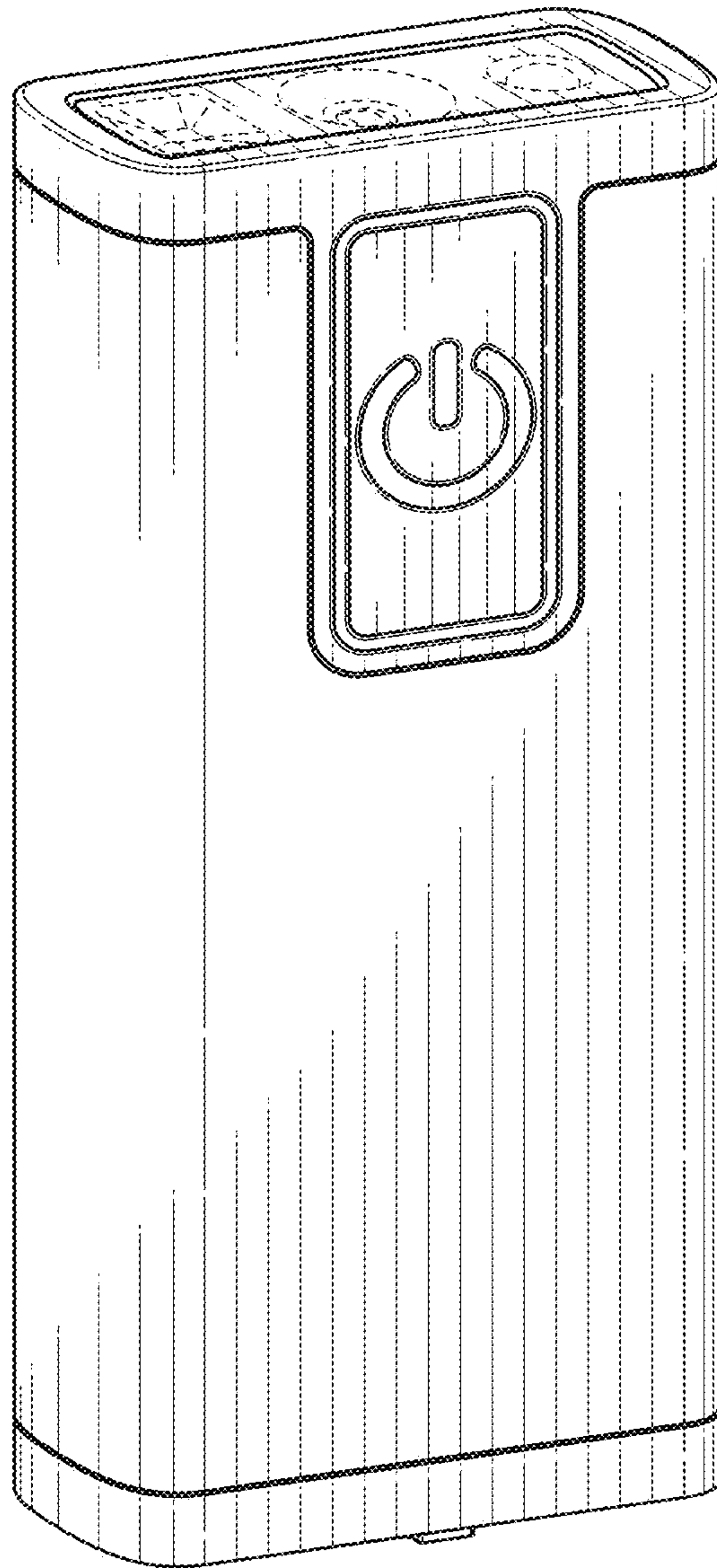


FIG. 1

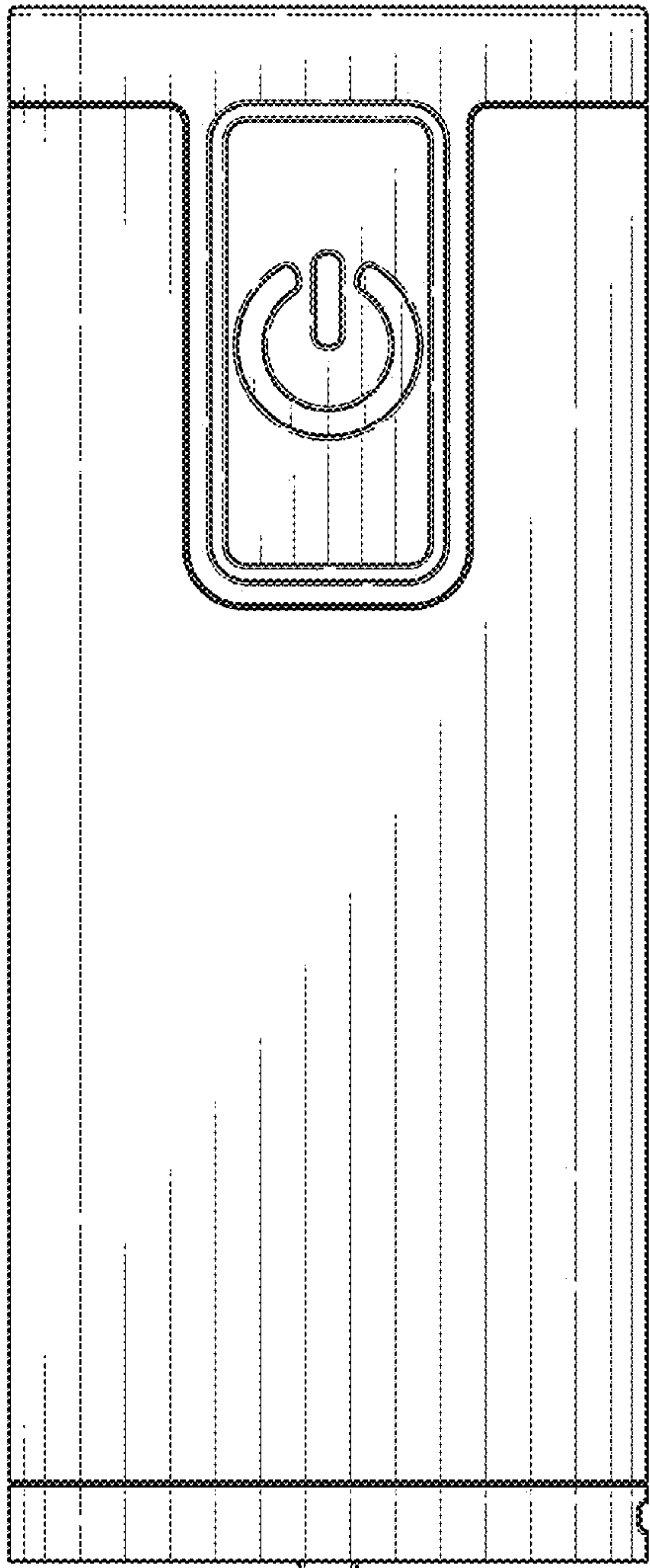


FIG. 2

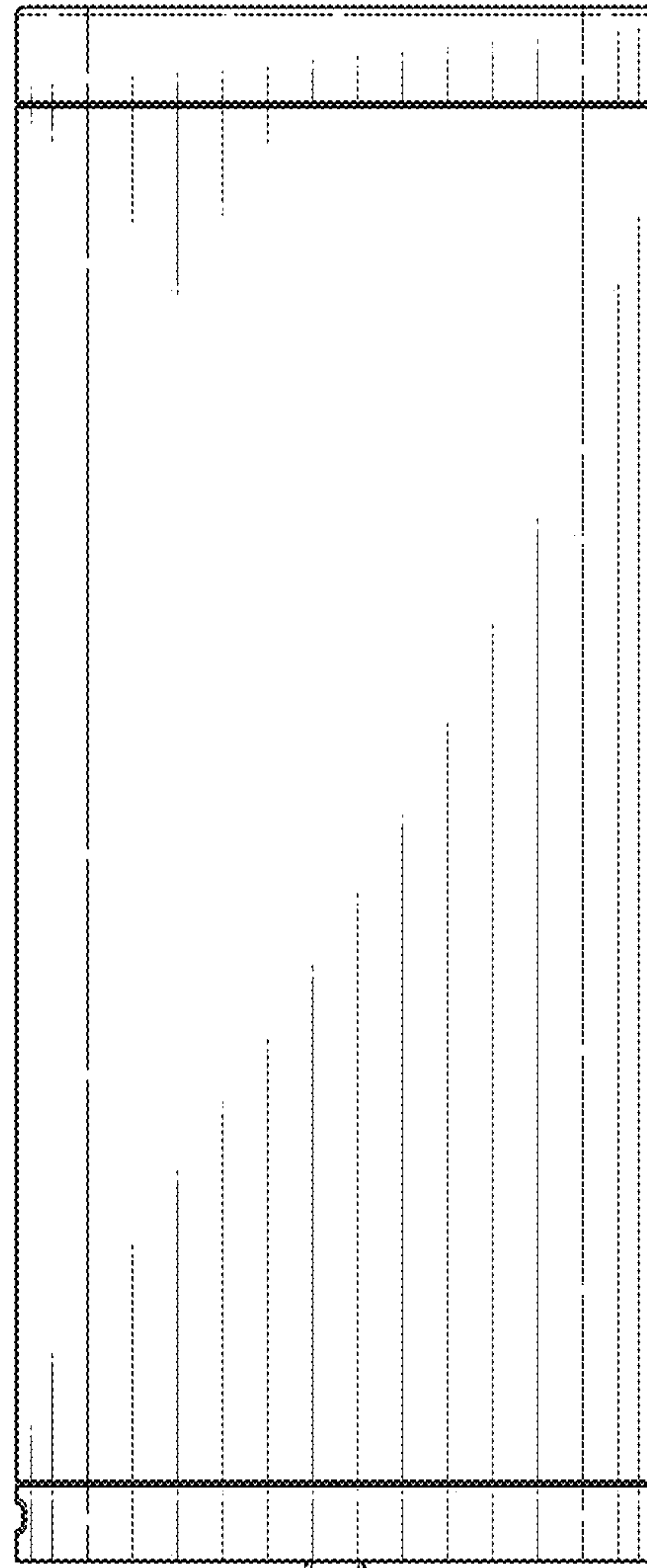


FIG. 3

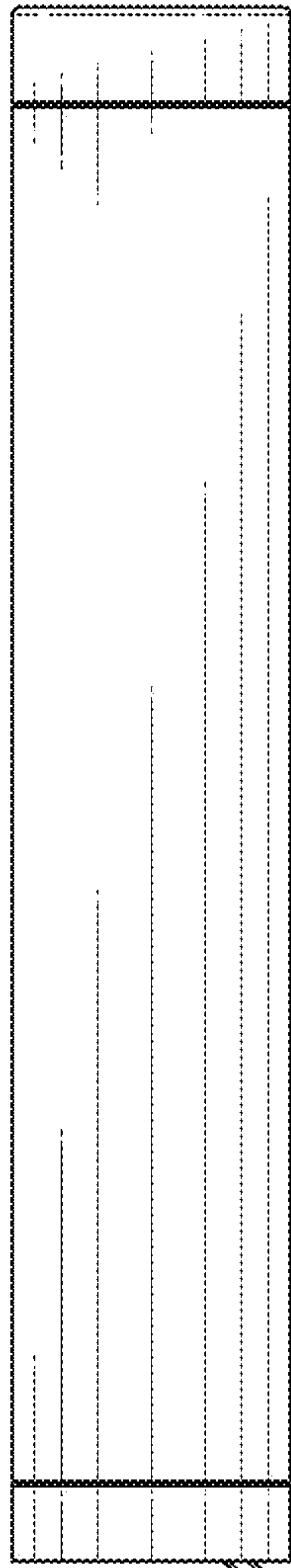


FIG. 4

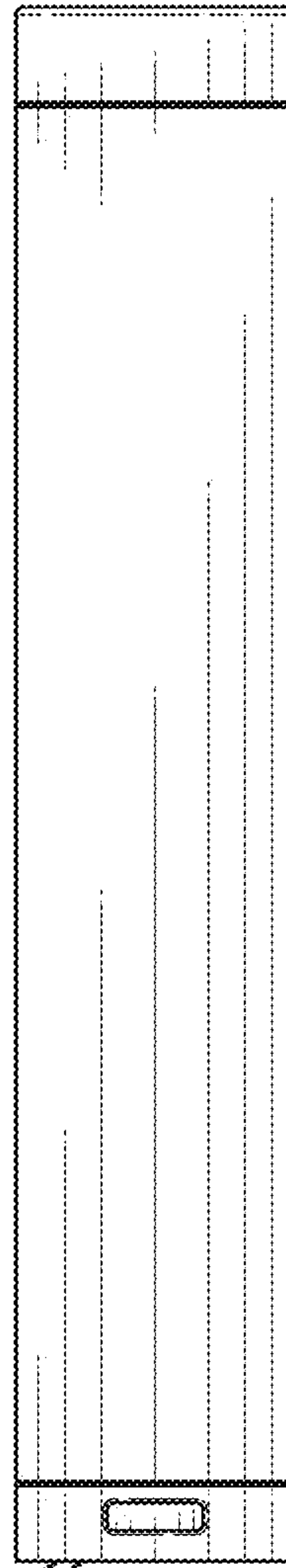


FIG. 5

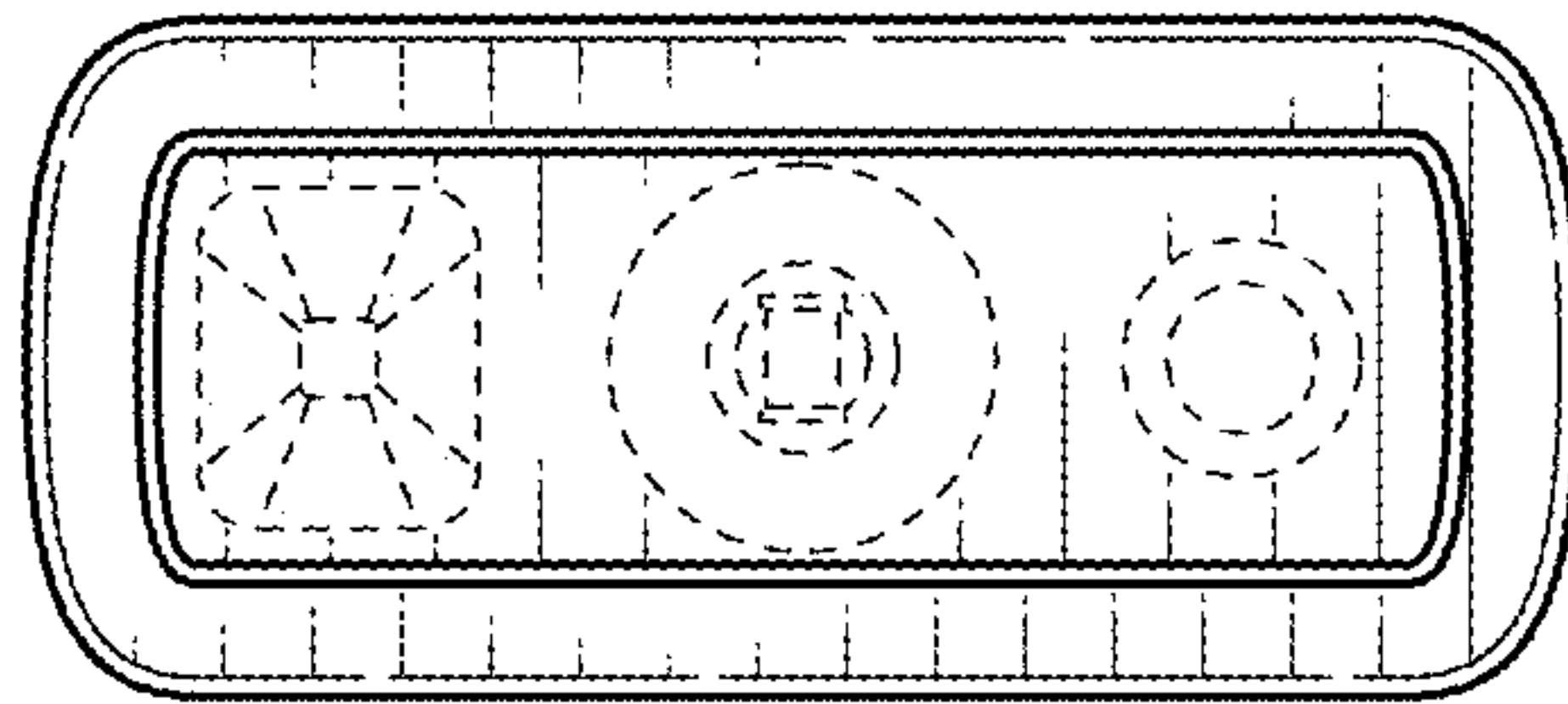


FIG. 6

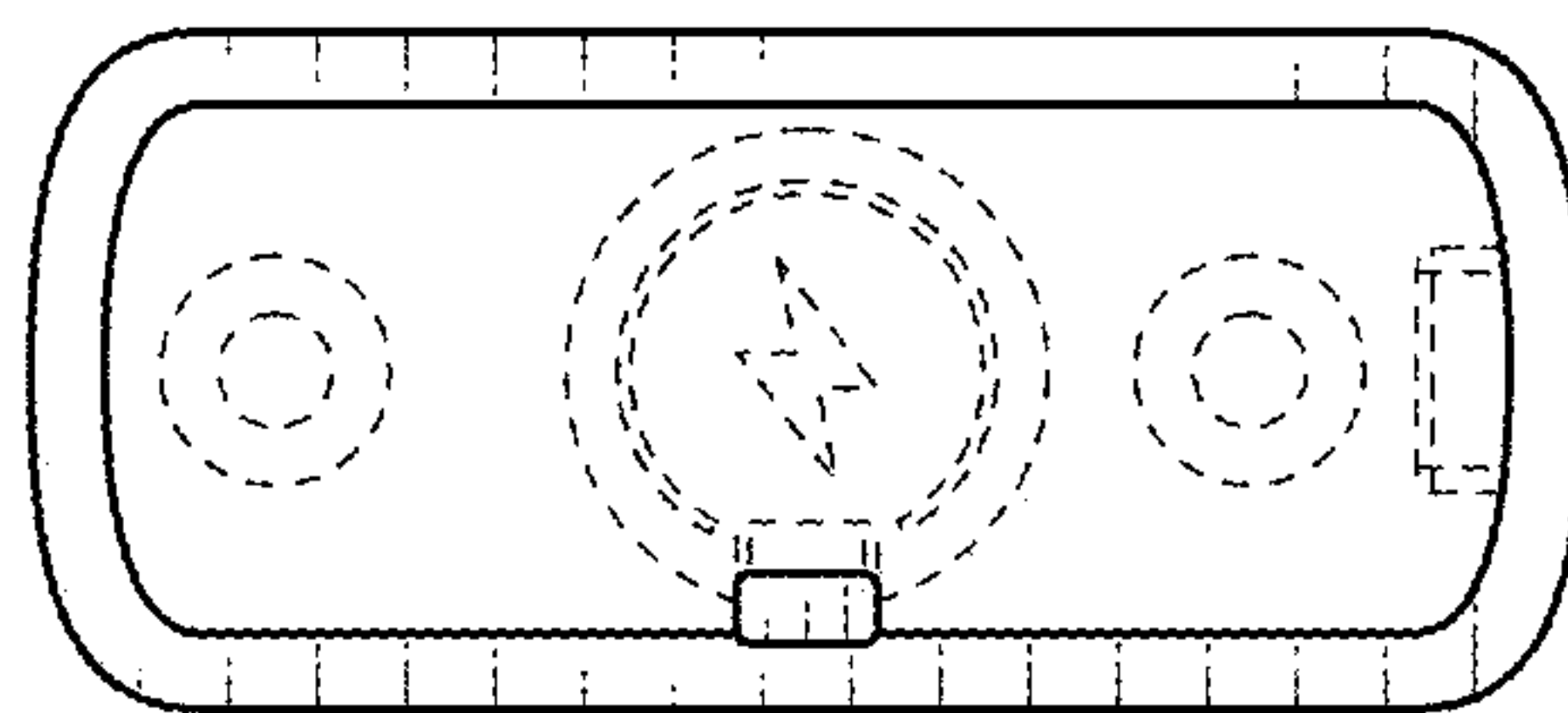


FIG. 7