



US00D921245S

(12) **United States Design Patent**  
**Jung et al.**

(10) **Patent No.:** **US D921,245 S**  
(45) **Date of Patent:** **\*\* Jun. 1, 2021**

(54) **HEAD LAMP FOR AUTOMOBILES**

(71) Applicants: **HYUNDAI MOTOR COMPANY**,  
Seoul (KR); **KIA MOTORS**  
**CORPORATION**, Seoul (KR)

(72) Inventors: **Woo-Joo Jung**, Anyang-si (KR);  
**Ji-Heon Lee**, Anyang-si (KR)

(\*\*) Term: **15 Years**

(21) Appl. No.: **35/508,523**

(22) Filed: **May 15, 2019**

(80) **Hague Agreement Data**

Int. Filing Date: **May 15, 2019**  
Int. Reg. No.: **DM/205558**  
Int. Reg. Date: **May 15, 2019**  
Int. Reg. Pub. Date: **Feb. 7, 2020**

(51) **LOC (13) Cl.** ..... **26-06**

(52) **U.S. Cl.**  
USPC ..... **D26/28**

(58) **Field of Classification Search**  
USPC ..... D26/28, 29, 34, 35, 36  
CPC ..... B60Q 1/30; B60Q 1/2607; B60Q 1/2619;  
B60Q 1/2696; F21S 41/00; F21S 41/20;  
F21S 41/30; F21S 43/14; F21S 43/15;  
F21S 43/20

See application file for complete search history.

(56) **References Cited**

**U.S. PATENT DOCUMENTS**

D818,164 S \* 5/2018 Ha ..... D26/28  
D819,851 S \* 6/2018 Munakata ..... D26/28

D842,510 S \* 3/2019 Kang ..... D26/28  
D865,244 S \* 10/2019 Kim ..... D26/28  
D878,644 S \* 3/2020 Lai ..... D26/28  
D889,700 S \* 7/2020 Wang ..... D26/28  
D890,969 S \* 7/2020 Wu ..... D26/28  
D906,556 S \* 12/2020 Yang ..... D26/28

**FOREIGN PATENT DOCUMENTS**

WO D205558-001 \* 2/2020

\* cited by examiner

*Primary Examiner* — Kevin K Rudzinski

*Assistant Examiner* — Richard Kearney

(57) **CLAIM**

The ornamental design for a head lamp for automobiles, as shown and described.

**DESCRIPTION**

1. Head lamp for automobiles

1.1 : Perspective

1.2 : Front

1.3 : Back

1.4 : Left

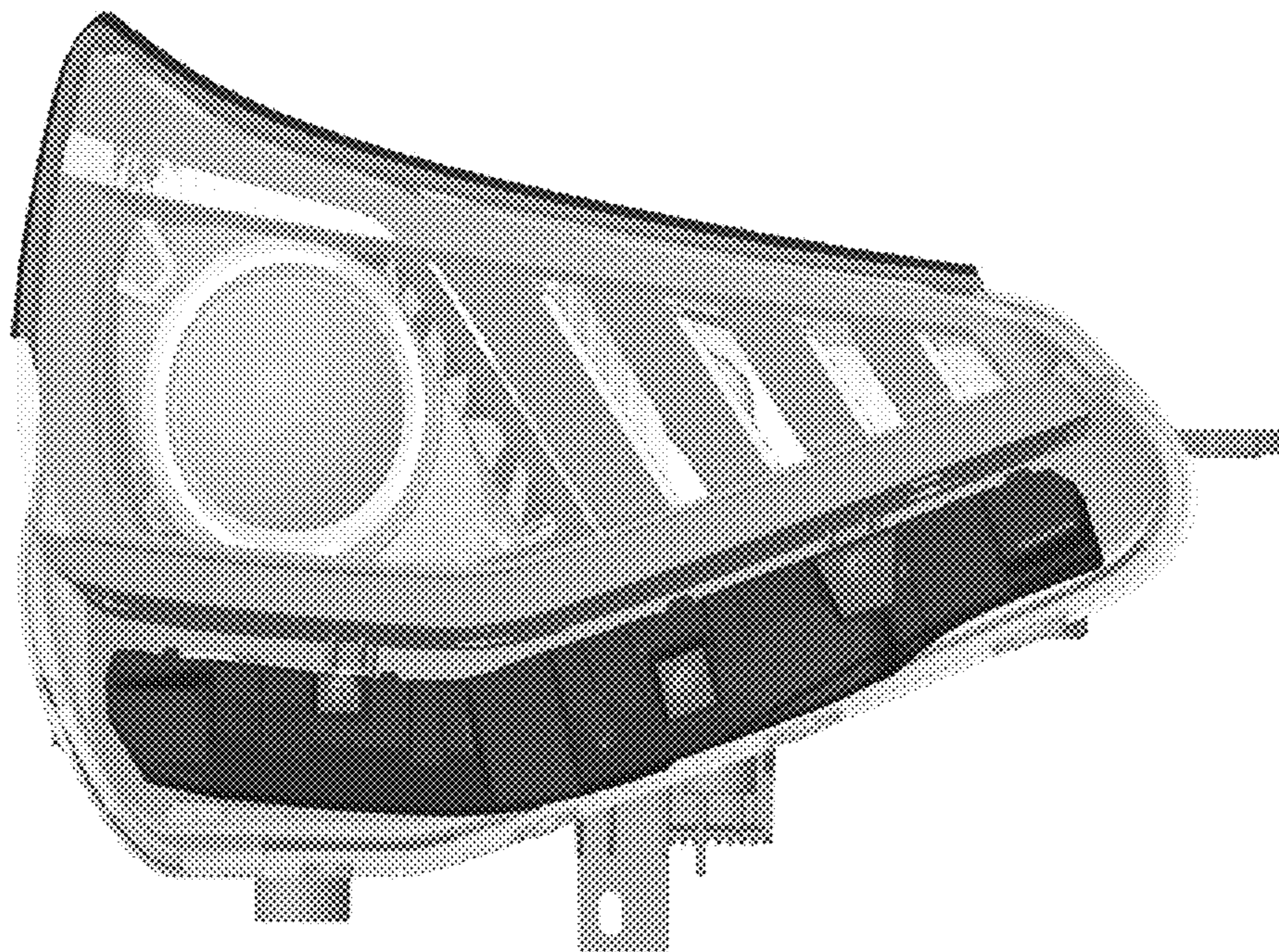
1.5 : Right

1.6 : Top

1.7 : Bottom

1.1 is a perspective view of a head lamp for automobiles showing our new design; 1.2 is a front elevation view thereof; 1.3 is a rear elevation view thereof; 1.4 is a left side elevation view thereof; 1.5 is a right side elevation view thereof; 1.6 is a top plan view thereof; and 1.7 is a bottom plan view thereof.

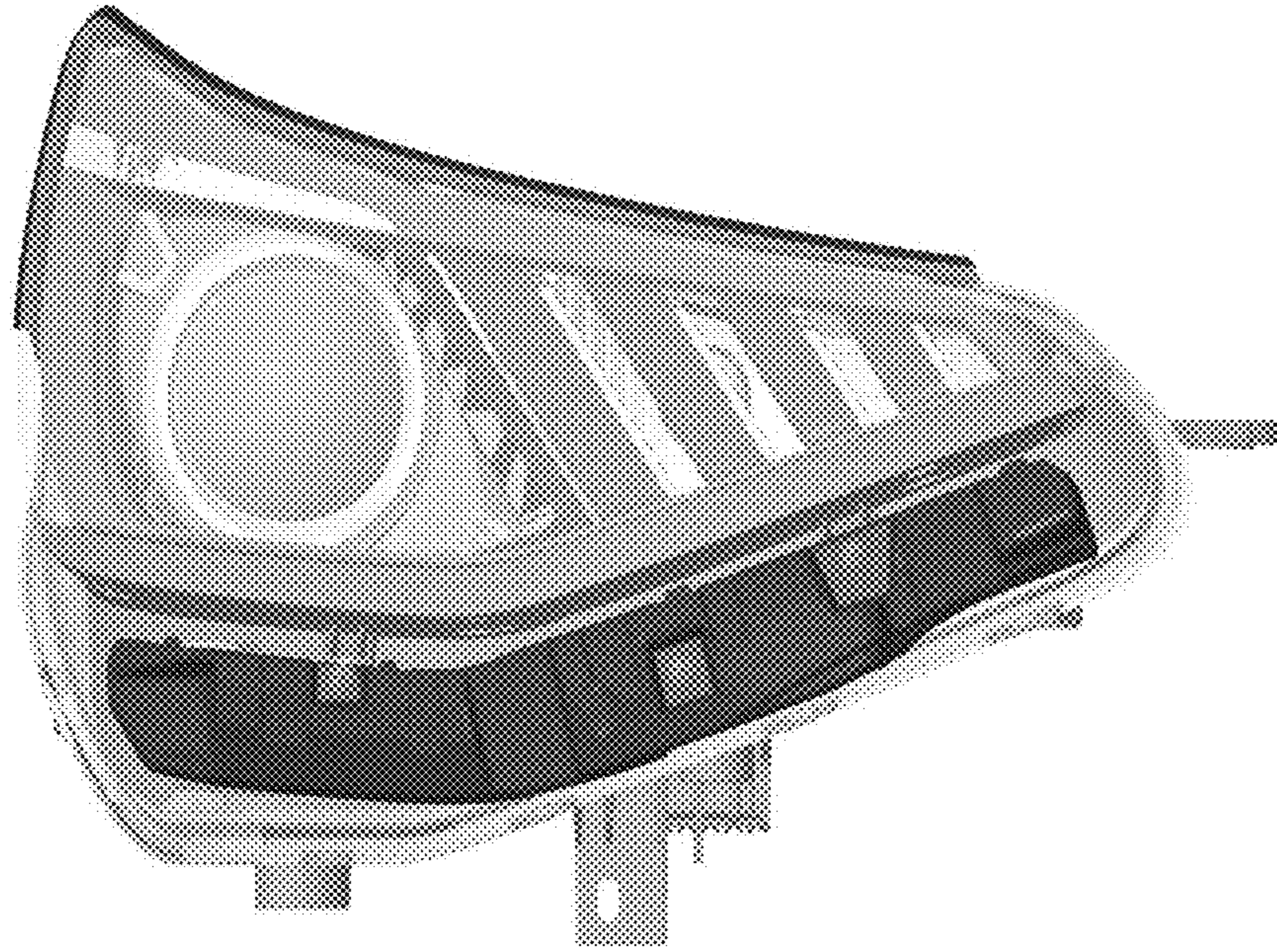
**1 Claim, 7 Drawing Sheets**



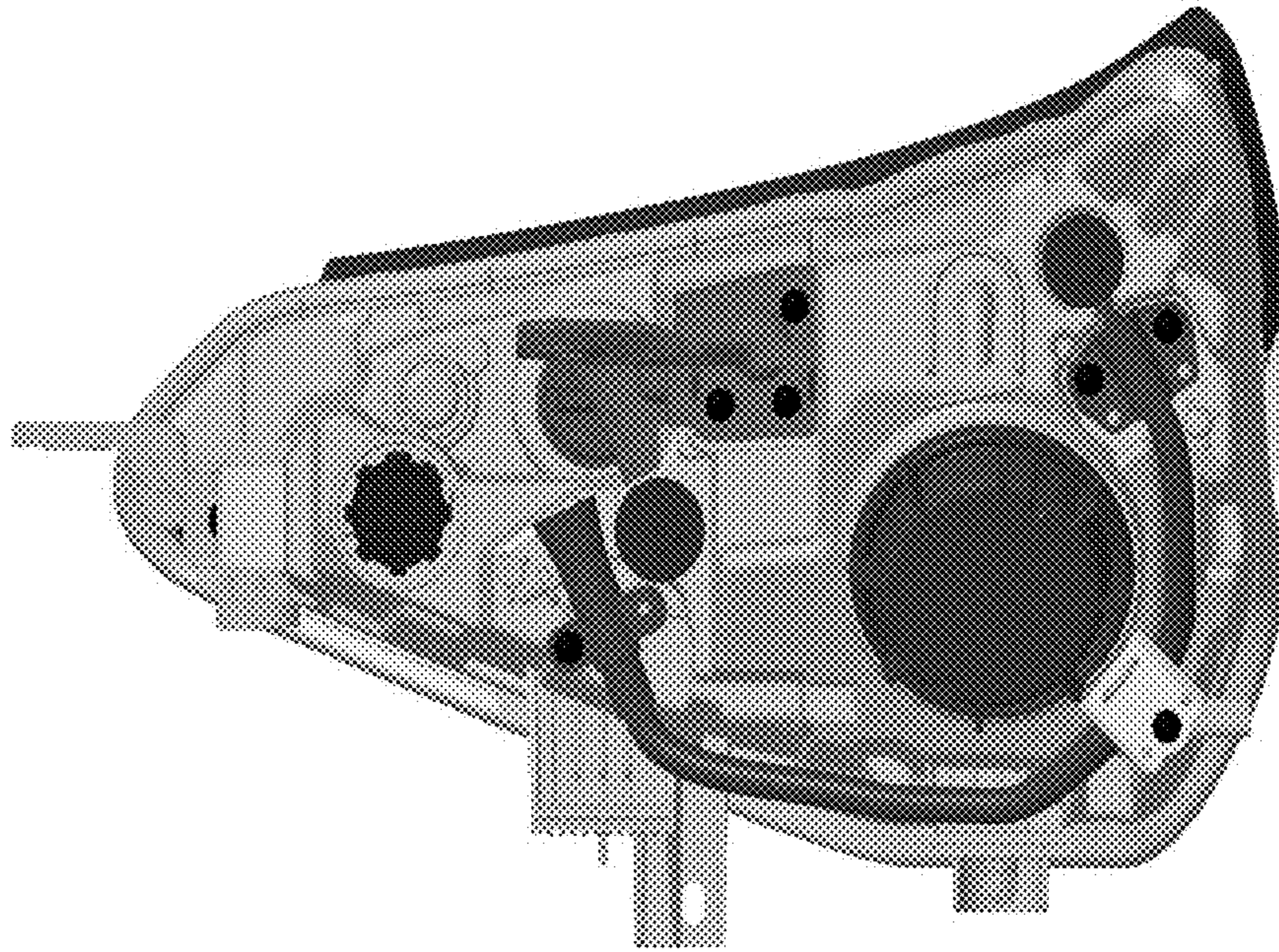
1.1



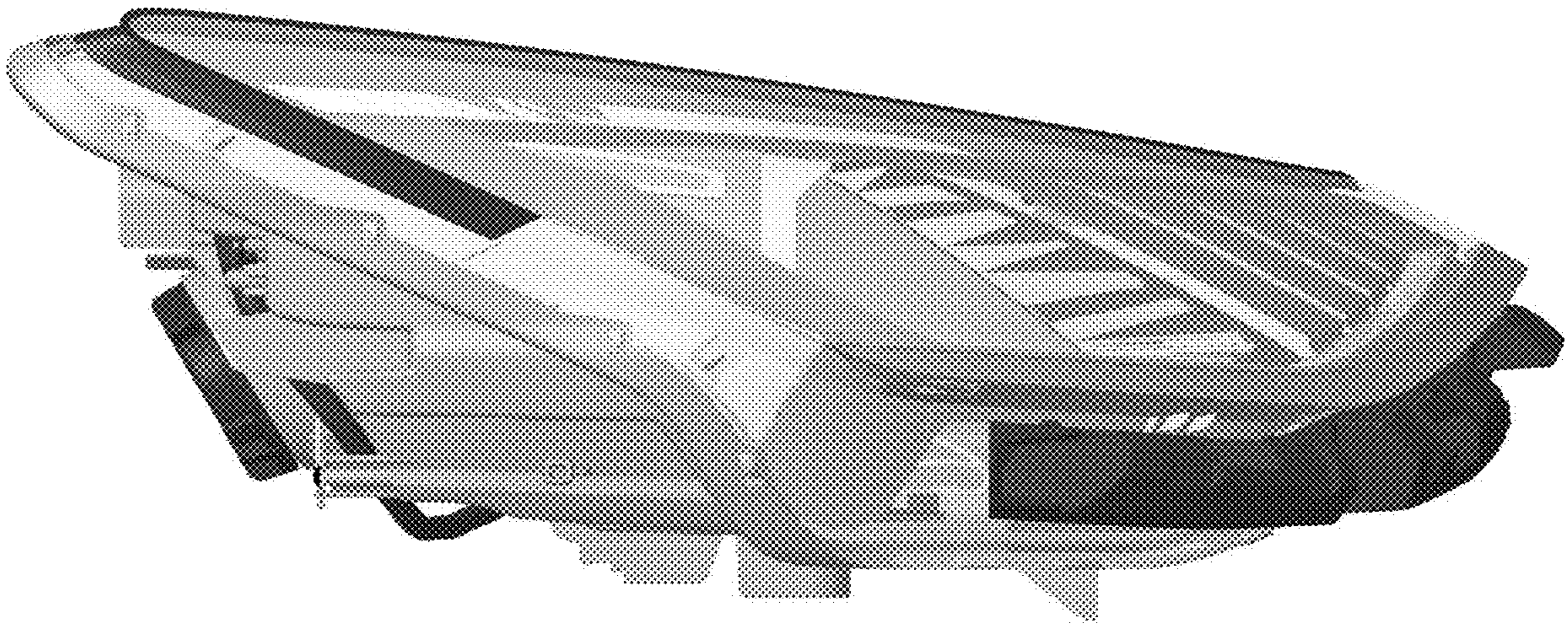
1.2



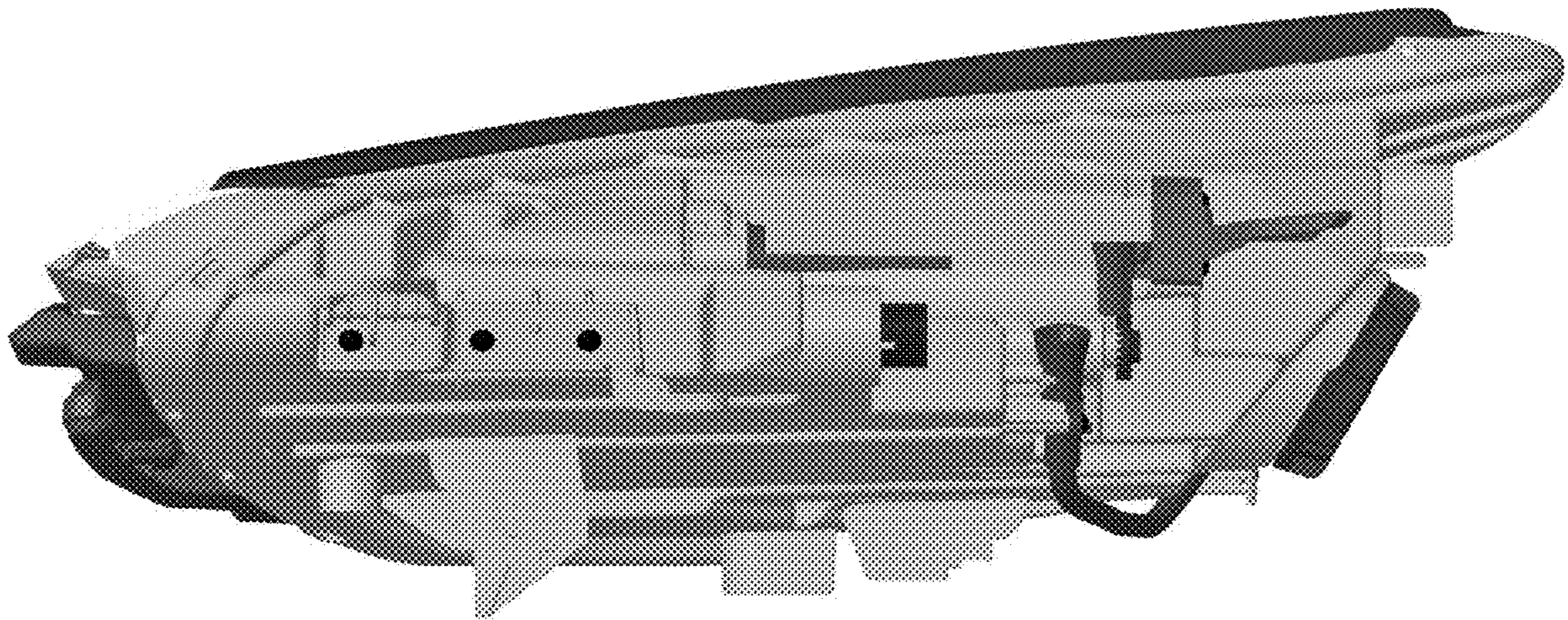
1.3



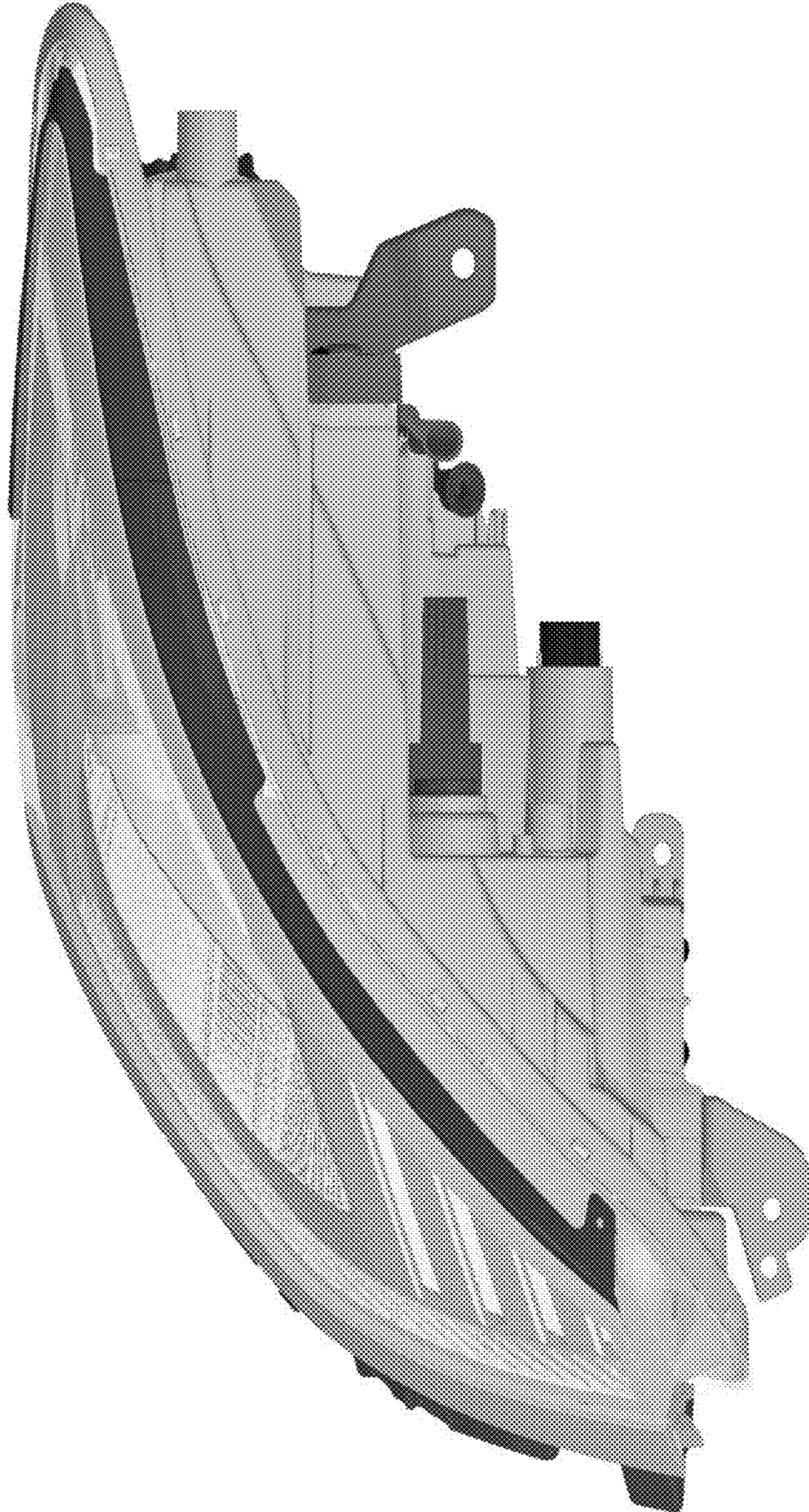
1.4



1.5



1.6



1.7

