



US00D921243S

(12) **United States Design Patent**
He

(10) **Patent No.:** **US D921,243 S**

(45) **Date of Patent:** **** Jun. 1, 2021**

- (54) **HEADLIGHT FOR A VEHICLE**
- (71) Applicant: **Arex Industries, Inc.**, Irwindale, CA (US)
- (72) Inventor: **Mizeng He**, TaiZhou (CN)
- (**) Term: **15 Years**
- (21) Appl. No.: **29/722,831**
- (22) Filed: **Feb. 1, 2020**
- (51) **LOC (13) Cl.** **26-06**
- (52) **U.S. Cl.**
USPC **D26/28**
- (58) **Field of Classification Search**
USPC D26/28, 29, 30, 31, 32, 33, 34, 35, 36
CPC F21S 48/00; F21S 48/10; F21S 48/115;
F21S 48/225; F21S 48/1233; F21S 48/1266; F21S 48/1388; F21S 48/2268;
F21V 21/04; F21W 2103/35; F21W 3/40;
F21W 2102/17; F21W 2102/30; F21W 2103/00; F21W 2103/55; F21W 2104/00;
F21W 2107/17; F21W 2107/13
See application file for complete search history.

D889,003 S *	6/2020	He	D26/28
D889,704 S *	7/2020	He	D26/28
D889,705 S *	7/2020	He	D26/28
D893,063 S *	8/2020	He	D26/28
D893,776 S *	8/2020	Lin	D26/28
D896,409 S *	9/2020	He	D26/28
D896,410 S *	9/2020	He	D26/28
D896,412 S *	9/2020	He	D26/28
D899,641 S *	10/2020	He	D26/28
D900,358 S *	10/2020	He	D26/28
D900,359 S *	10/2020	He	D26/28

* cited by examiner

Primary Examiner — Angela J Lee

(74) *Attorney, Agent, or Firm* — Theodore S. Lee, Esq.

(57) **CLAIM**

The ornamental design for a headlight for a vehicle, as shown and described.

DESCRIPTION

FIG. 1 is a perspective view of a headlight for a vehicle according to the novel design;
 FIG. 2 is left side view thereof;
 FIG. 3 is a front view thereof;
 FIG. 4 is a right side view thereof;
 FIG. 5 is a back side view thereof;
 FIG. 6 is an alternative perspective view thereof; and,
 FIG. 7 is a top view thereof.

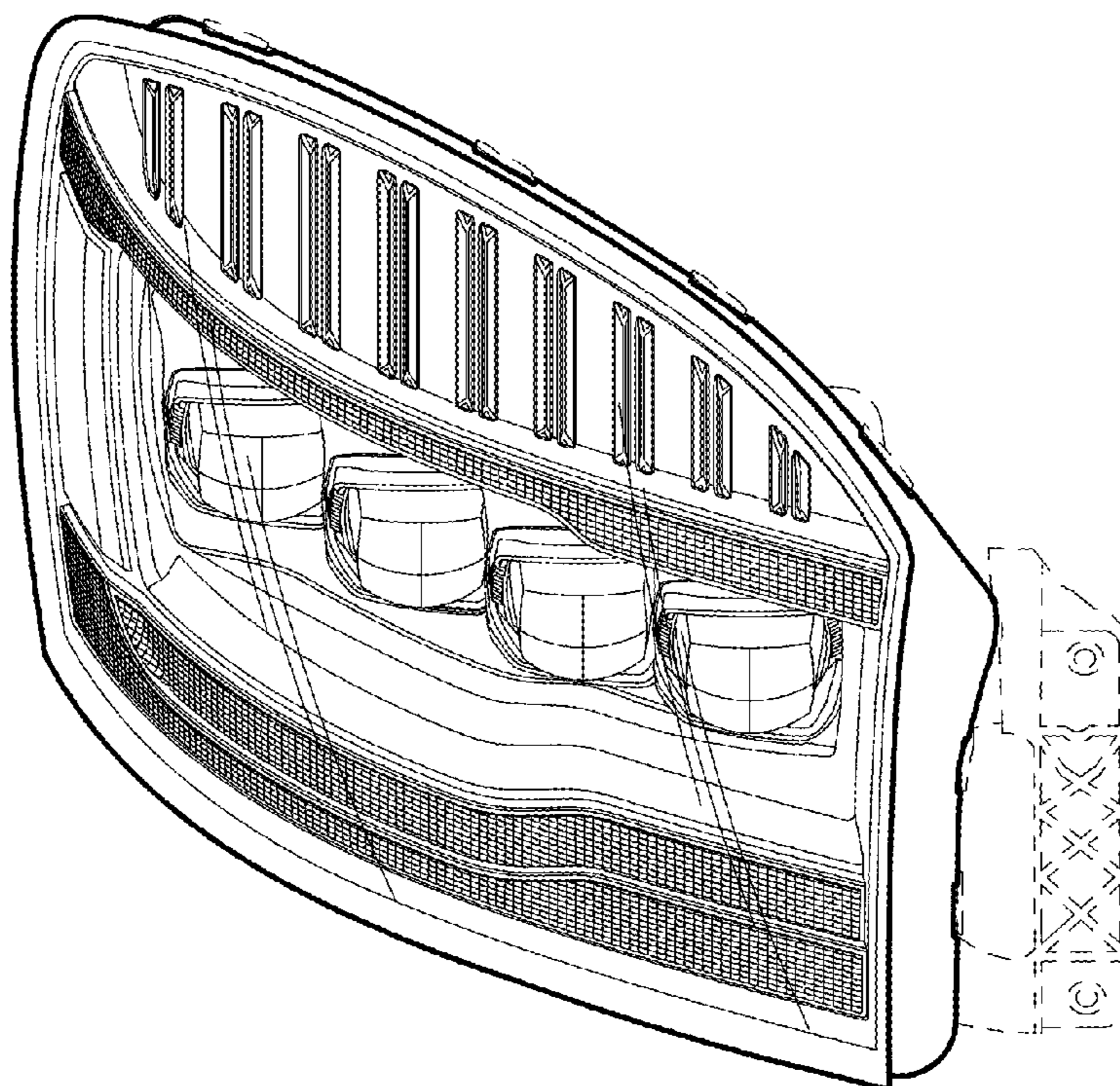
The drawings and descriptions represent the left side embodiment. The claim is also for a mirror image of a right side embodiment that is not shown.

1 Claim, 7 Drawing Sheets

(56) **References Cited**

U.S. PATENT DOCUMENTS

D831,246 S *	10/2018	Yang	D26/28
D870,932 S *	12/2019	Lin	D26/28
D875,283 S *	2/2020	He	D26/28
D884,227 S *	5/2020	He	D26/28
D887,595 S *	6/2020	Wu	D26/28
D889,001 S *	6/2020	He	D26/28
D889,002 S *	6/2020	He	D26/28



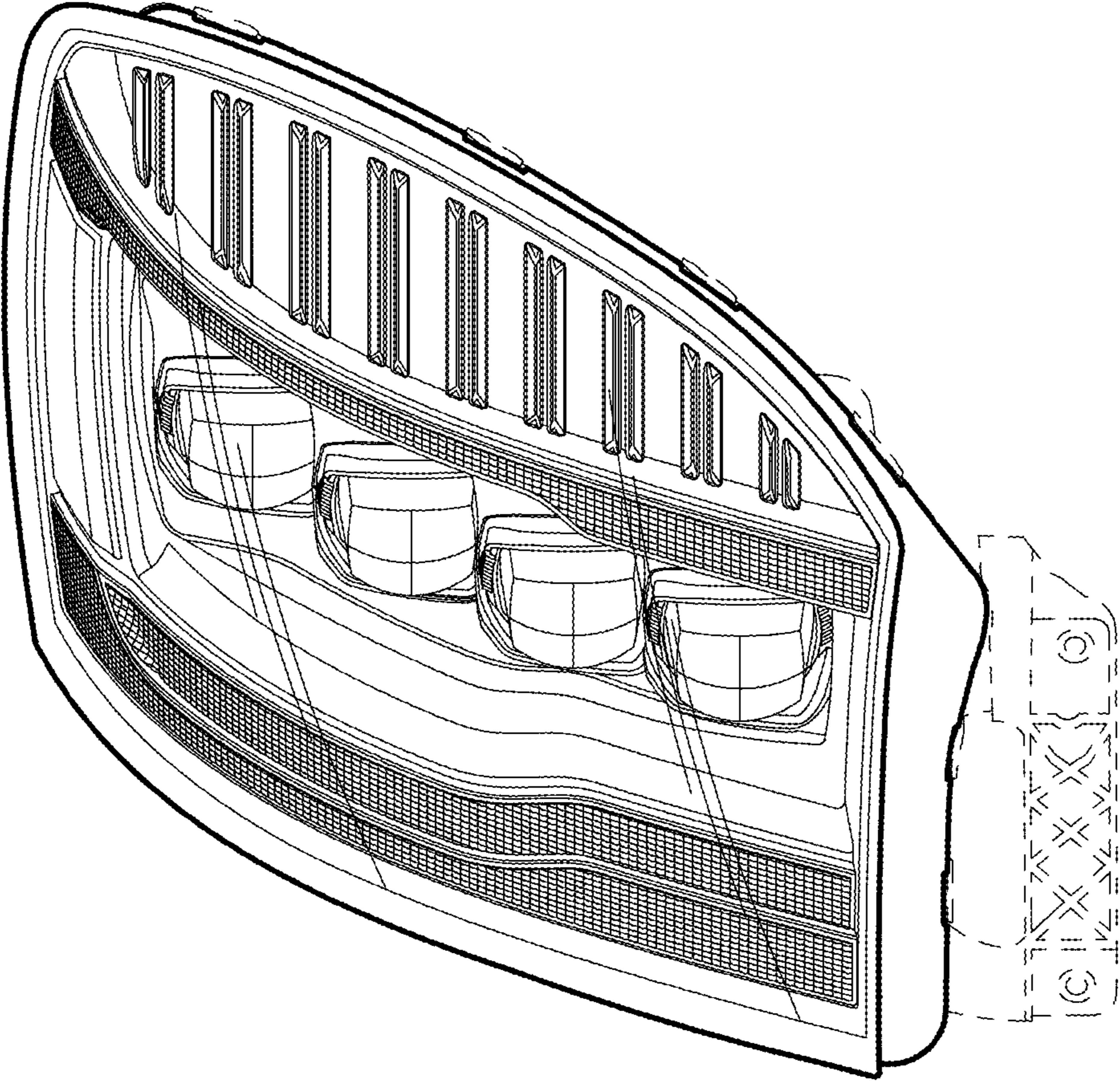


FIG. 1

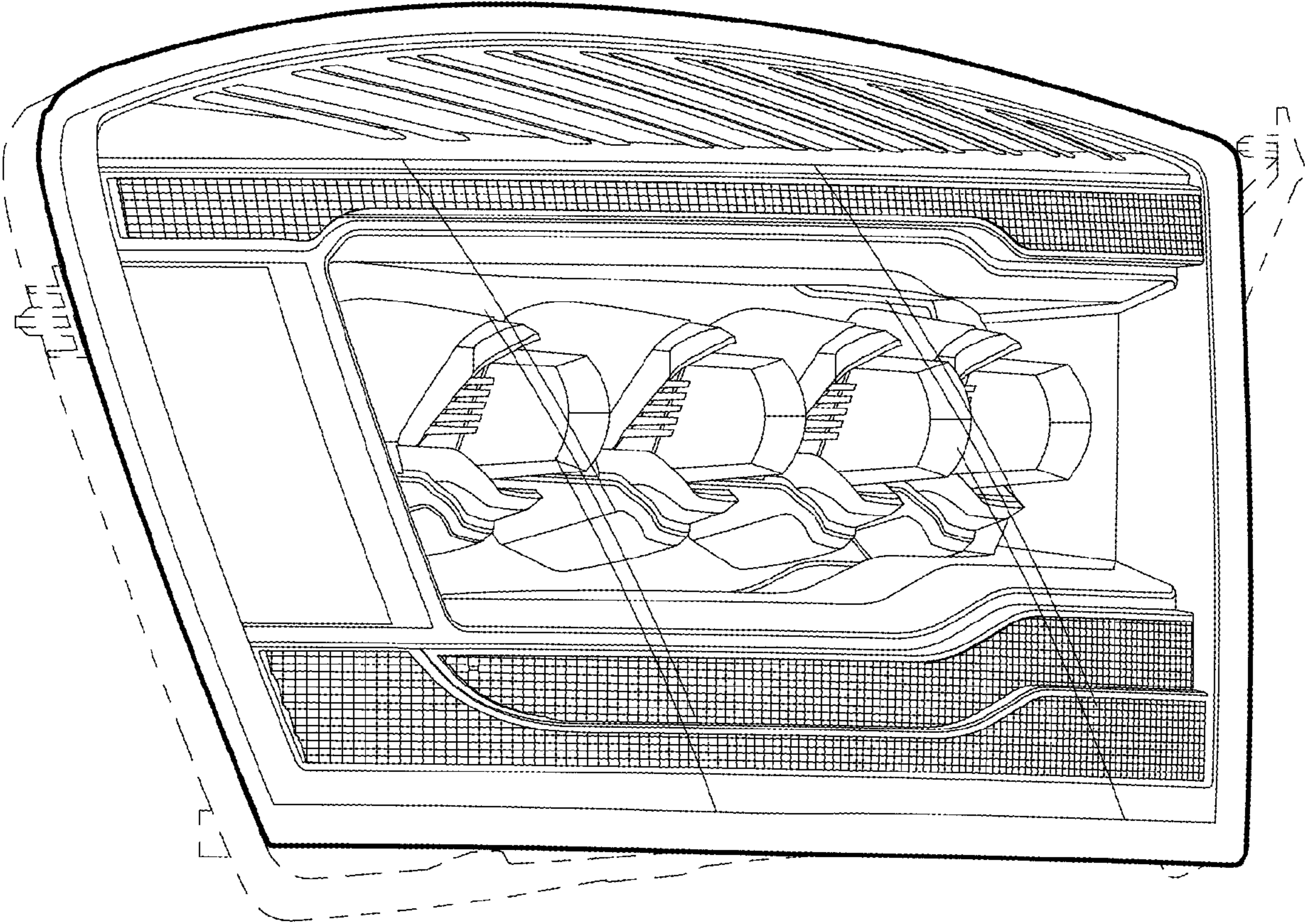


FIG. 2

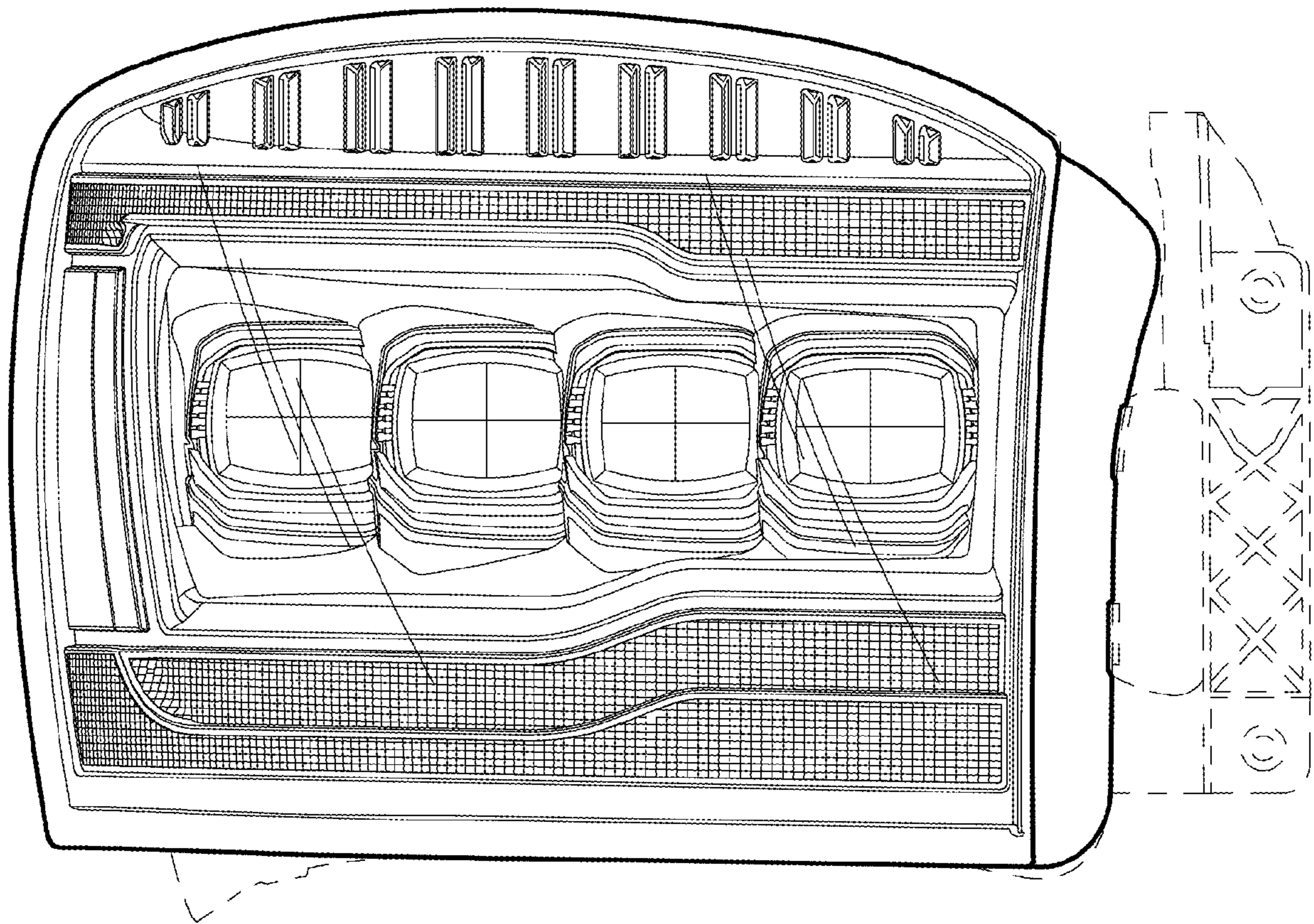


FIG. 3

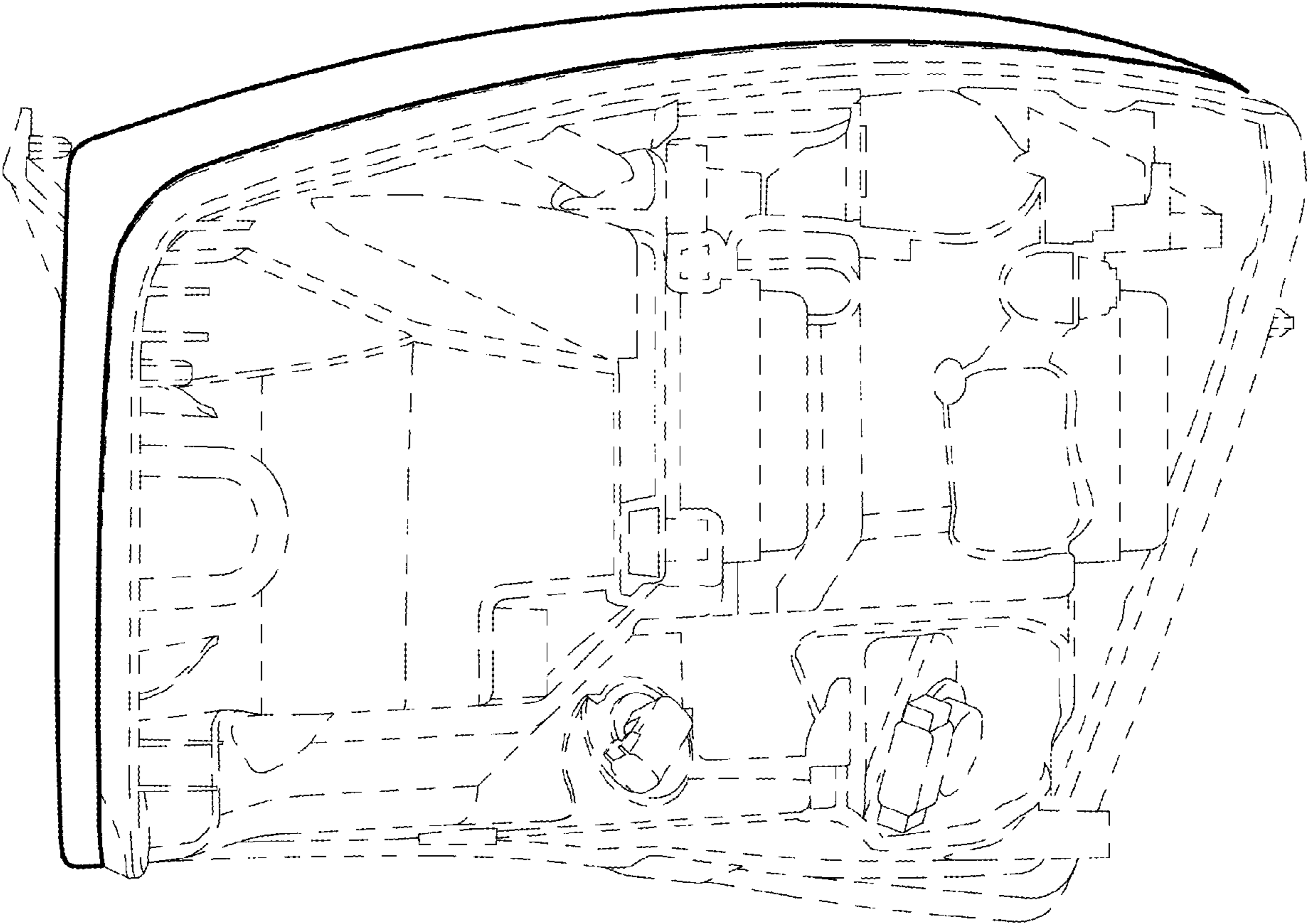


FIG. 4

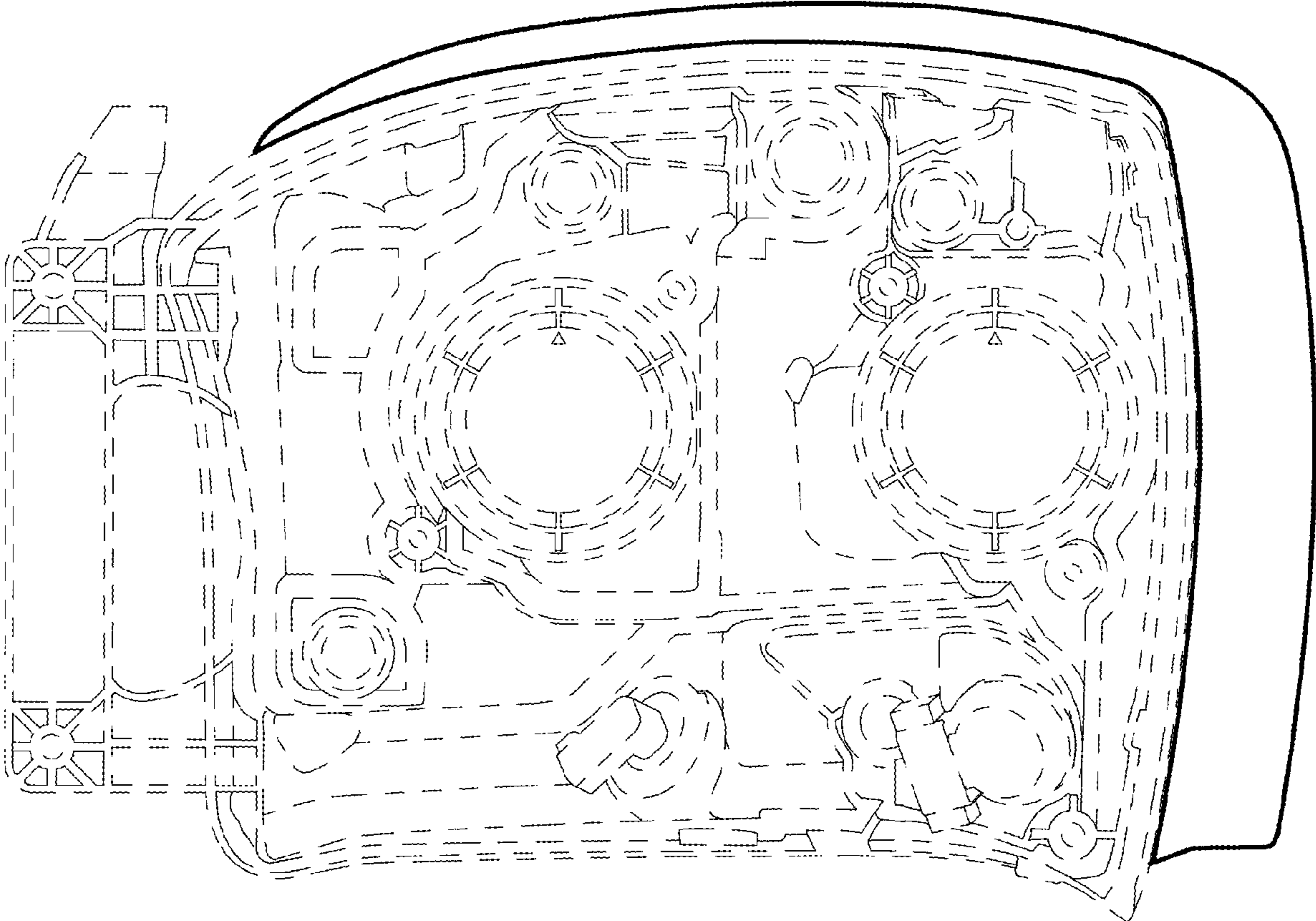


FIG. 5

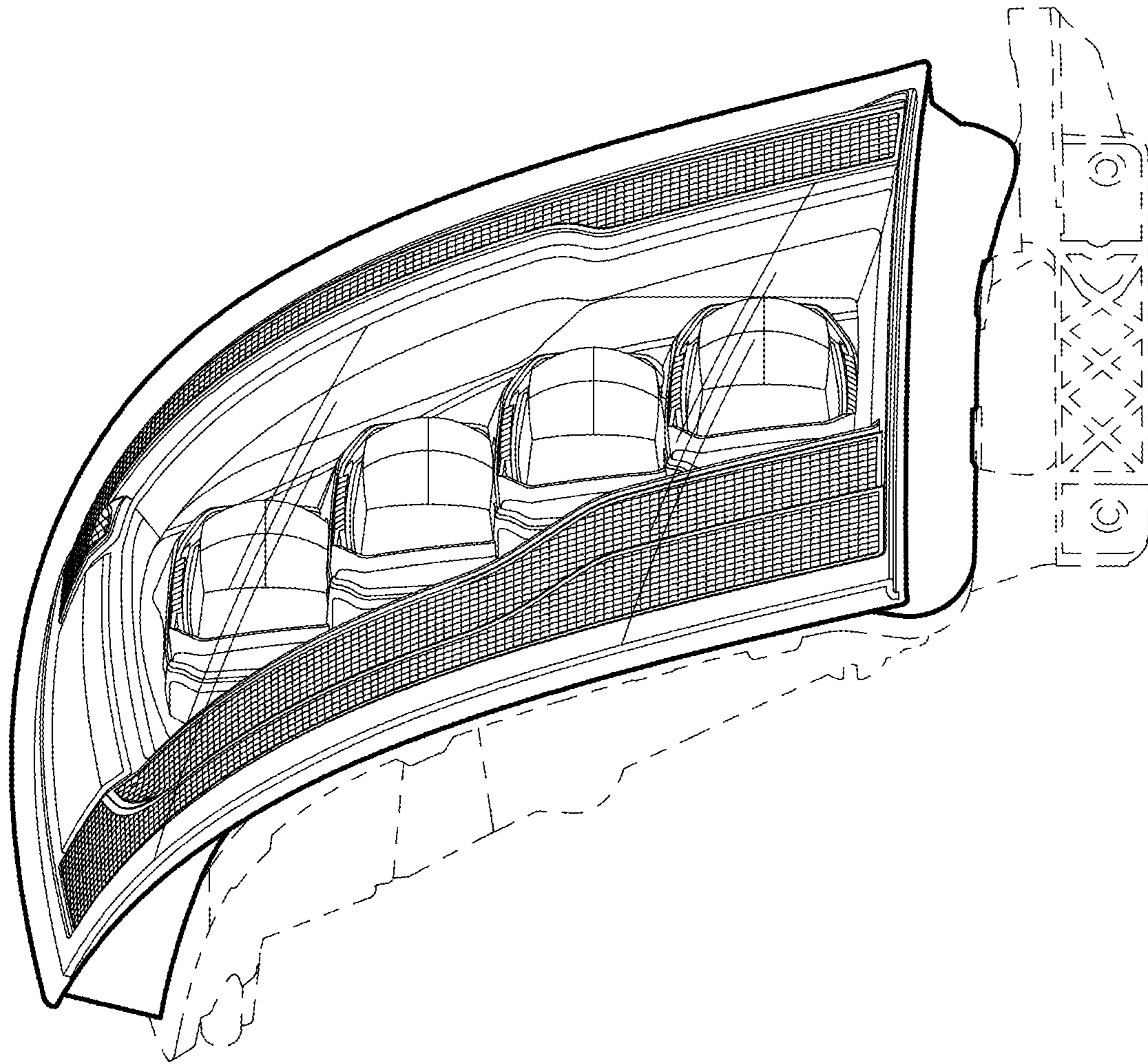


FIG. 6

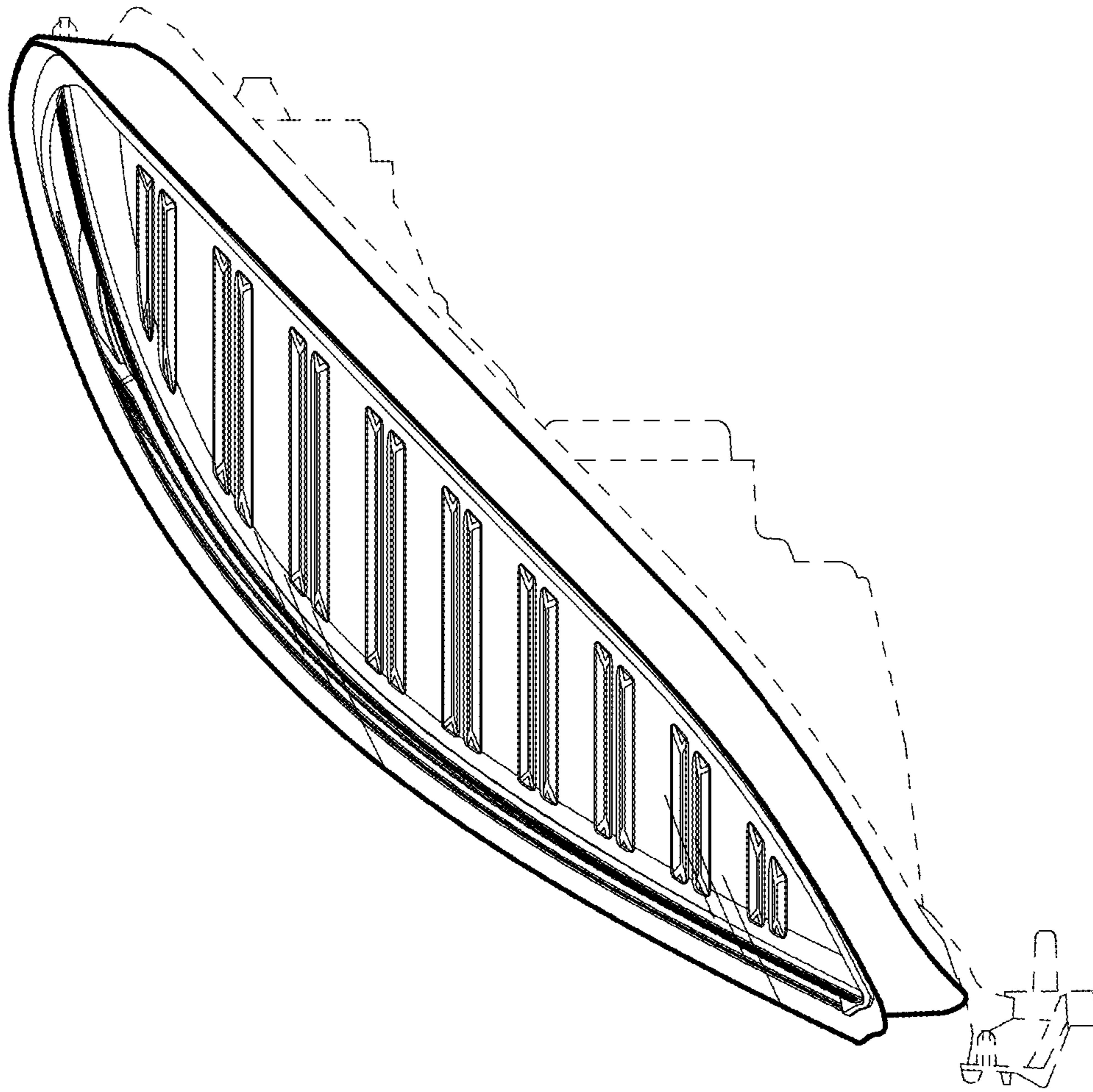


FIG. 7