



US00D921239S

(12) **United States Design Patent**
Park et al.

(10) **Patent No.:** **US D921,239 S**
(45) **Date of Patent:** **** Jun. 1, 2021**

- (54) **VEHICLE HEADLIGHT**
- (71) Applicant: **Ford Global Technologies, LLC**,
Dearborn, MI (US)
- (72) Inventors: **Dong Park**, Canton, MI (US); **Bruce Williams**, Grosse Pointe Park, MI (US);
Damon G. Depeyster, Northville, MI (US); **Gordon M. Platto**, Troy, MI (US)
- (73) Assignee: **Ford Global Technologies, LLC**,
Dearborn, MI (US)
- (**) Term: **15 Years**
- (21) Appl. No.: **29/650,666**
- (22) Filed: **Jun. 8, 2018**
- (51) **LOC (13) Cl.** **26-06**
- (52) **U.S. Cl.**
USPC **D26/28**
- (58) **Field of Classification Search**
USPC D12/86, 90-92, 114, 163, 169, 171-173,
D12/181, 190, 196, 197, 199, 400;
D26/28-36
CPC .. B62J 6/02; B62J 6/00; B60Q 3/0279; B60Q
3/104; B60Q 3/10408; B60Q 3/10466;
B60Q 3/12653; B60Q 3/128; F21S 48/00;
F21S 48/10; F21S 48/115; F21S 48/225;
F21S 48/1233; F21S 48/1266; F21S
48/1388; F21S 48/2268; F21V 21/04
See application file for complete search history.

(56) **References Cited**

U.S. PATENT DOCUMENTS

- D529,208 S * 9/2006 Ikeda D26/28
- D536,113 S * 1/2007 Pfeiffer D26/28
- D537,180 S * 2/2007 Hsu D26/28
- D558,906 S * 1/2008 Golden D26/28

- D565,762 S * 4/2008 Zheng D26/28
- D605,792 S * 12/2009 Weil D26/28
- D612,961 S * 3/2010 Lamm D26/28
- D614,327 S 4/2010 Bucher et al.
- D656,762 S * 4/2012 Fejt D6/718.3
- D676,168 S * 2/2013 Lai D26/28
- D686,356 S * 7/2013 Morgenstern D26/28
- D692,598 S * 10/2013 Davis D26/28
- D695,935 S * 12/2013 Ueda D26/28
- D703,848 S * 4/2014 Mays D26/28
- D706,471 S * 6/2014 Lai D26/28
- D746,495 S * 12/2015 Gorsten Schuenemann .. D26/28
- D761,463 S * 7/2016 Lai D26/28
- D765,894 S * 9/2016 Lai D26/28
- D777,956 S * 1/2017 Schell D26/28
- D779,090 S * 2/2017 Giolito D26/28
- D780,963 S 3/2017 Behmer et al.
- D796,715 S * 9/2017 Lin D26/28
- D819,854 S * 6/2018 Lai D26/28

(Continued)

Primary Examiner — Cary M Robinson

(57) **CLAIM**

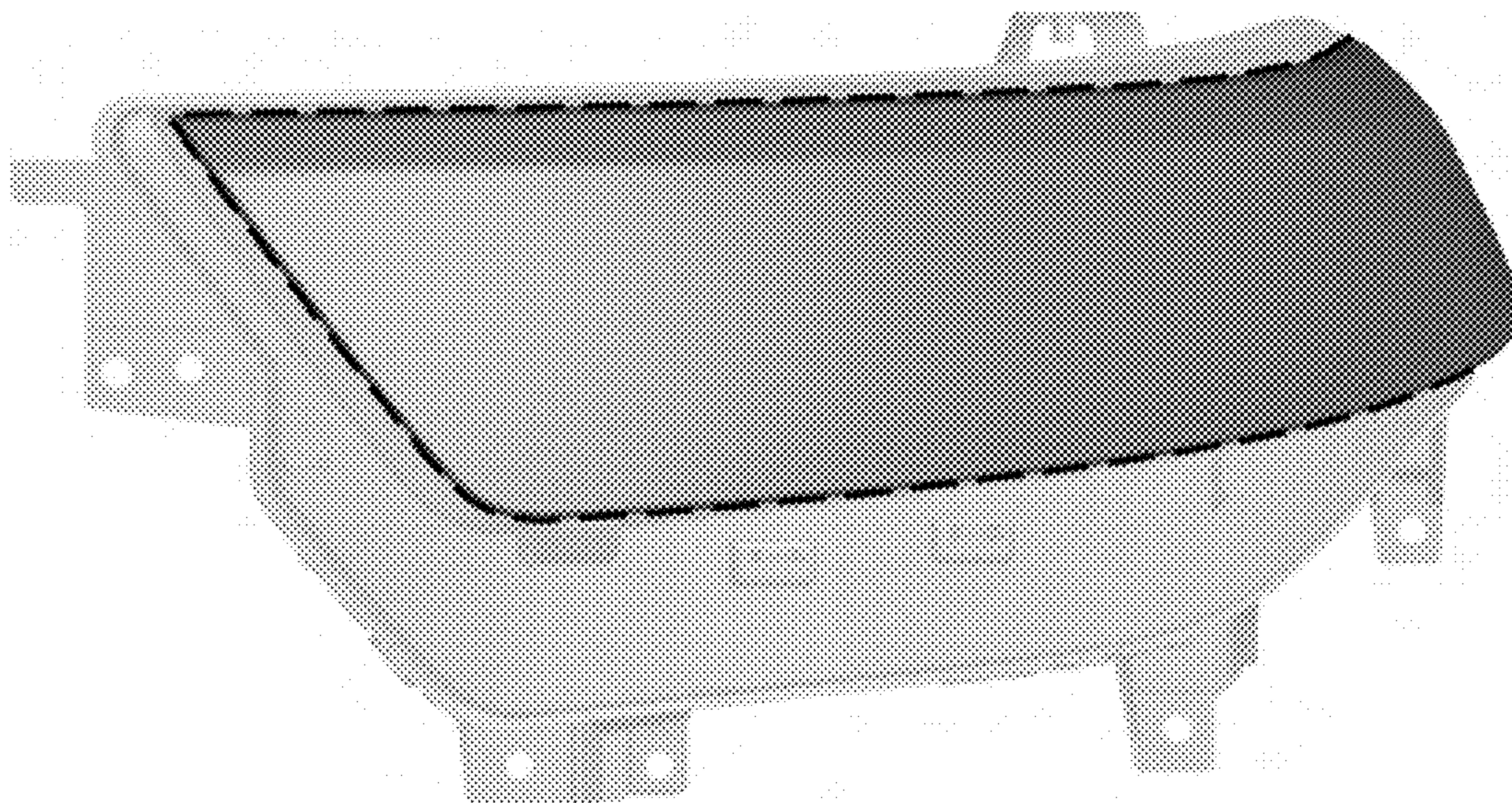
The ornamental design for a vehicle headlight, as shown and described.

DESCRIPTION

FIG. 1 is a front elevational view of a vehicle headlight, showing our new design;
 FIG. 2 is a left side elevational view thereof;
 FIG. 3 is a right side elevational view thereof;
 FIG. 4 is a top plan view thereof;
 FIG. 5 is a bottom plan view thereof;
 FIG. 6 is a top, front and left side perspective view thereof;
 and,
 FIG. 7 is a bottom, front and left side perspective view thereof.

The claimed design is indicated by the relatively dark portions in the figures. The broken lines illustrate an internal boundary of the design. The line itself and the relatively light portions within form no part of the claim.

1 Claim, 7 Drawing Sheets



(56)

References Cited

U.S. PATENT DOCUMENTS

D826,437 S *	8/2018	Ito	D26/28
D869,702 S *	12/2019	Dewitt	D26/28
D877,370 S *	3/2020	Smock	D26/28
D877,945 S *	3/2020	Betancourt	D26/28
D885,620 S *	5/2020	Furuta	D26/28
D887,038 S *	6/2020	Razaghi	D26/28
2013/0194817 A1 *	8/2013	Ito	B29C 45/372 362/538

* cited by examiner

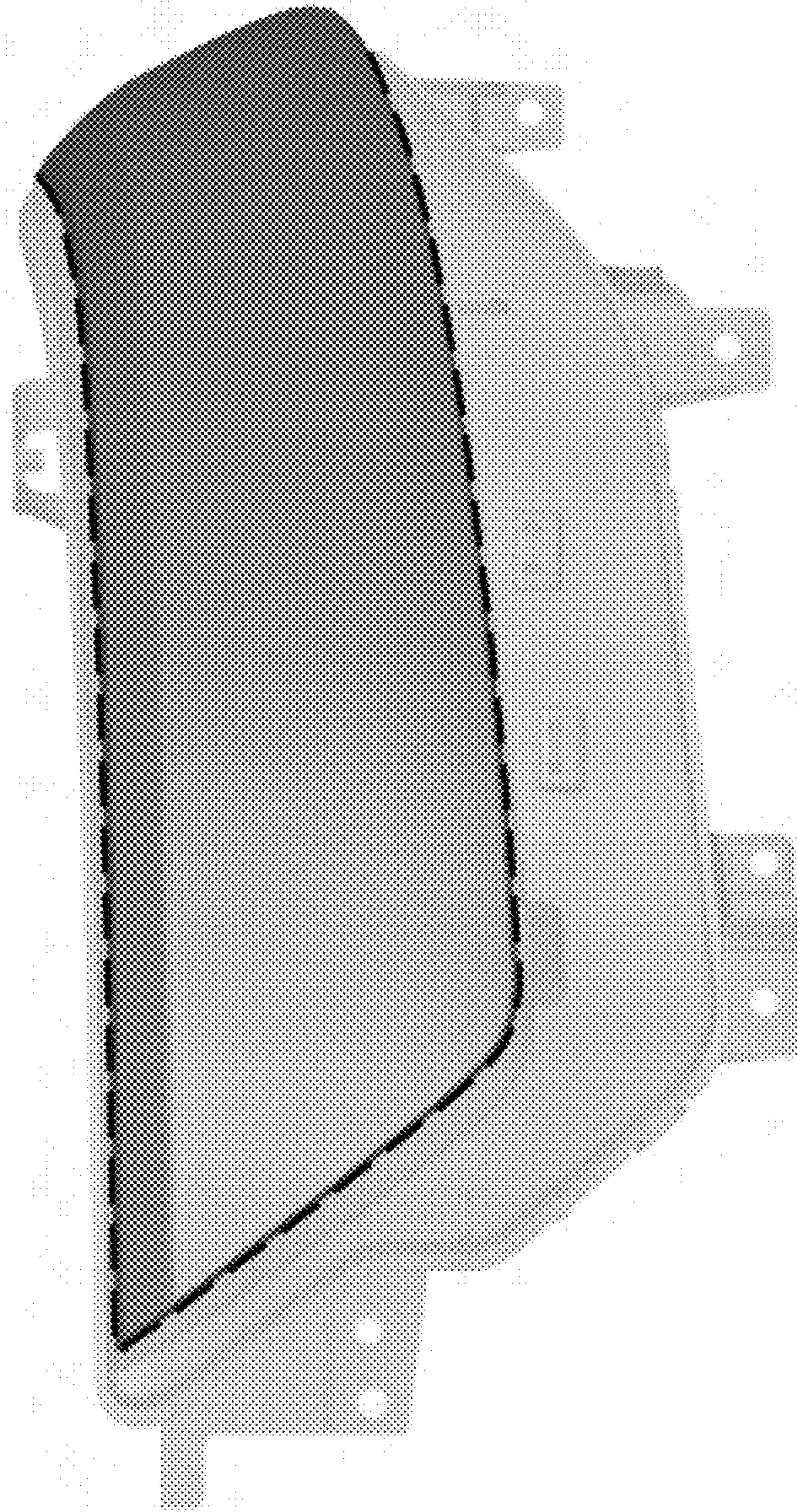


Fig. 1

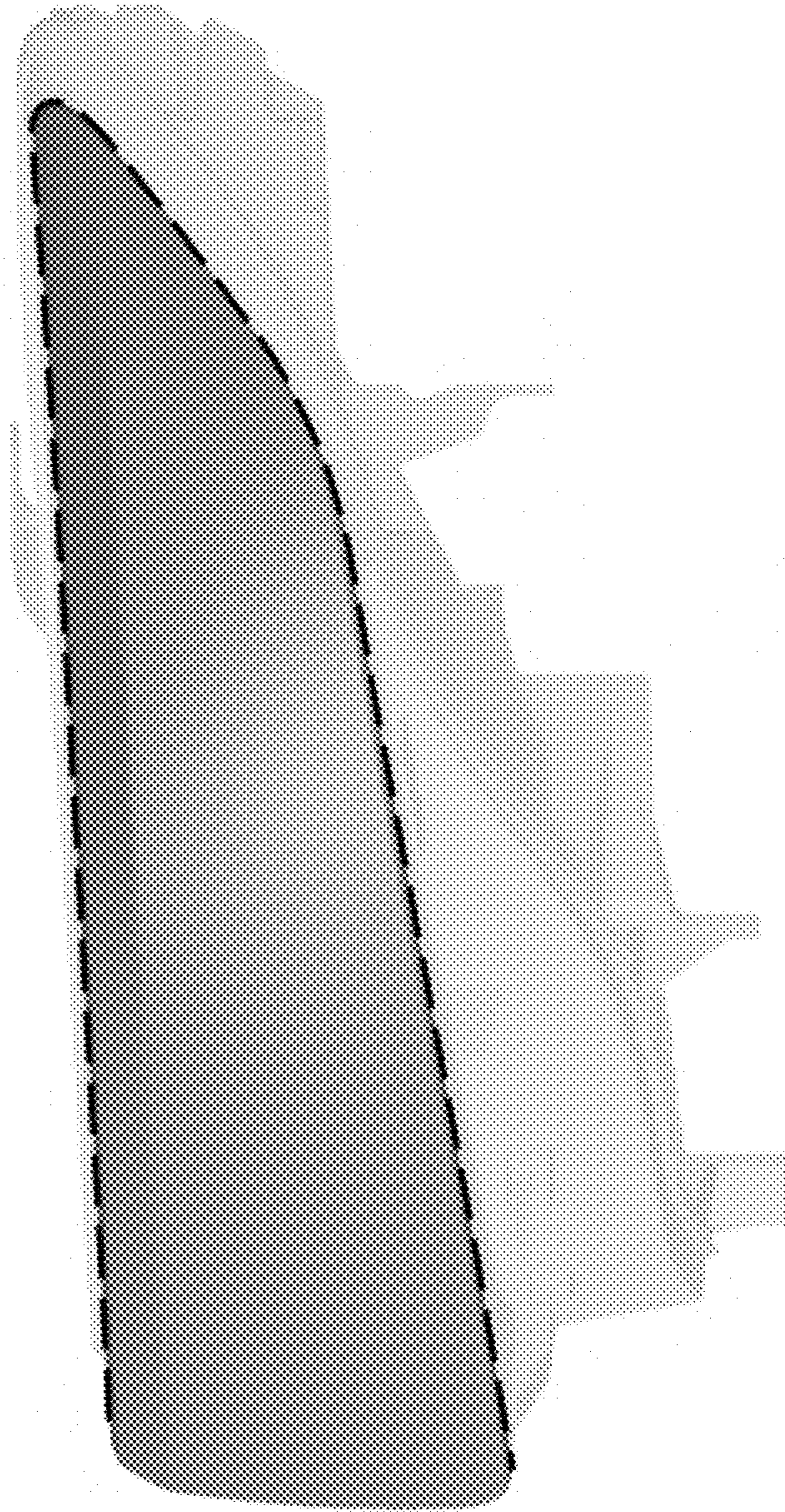


Fig. 2

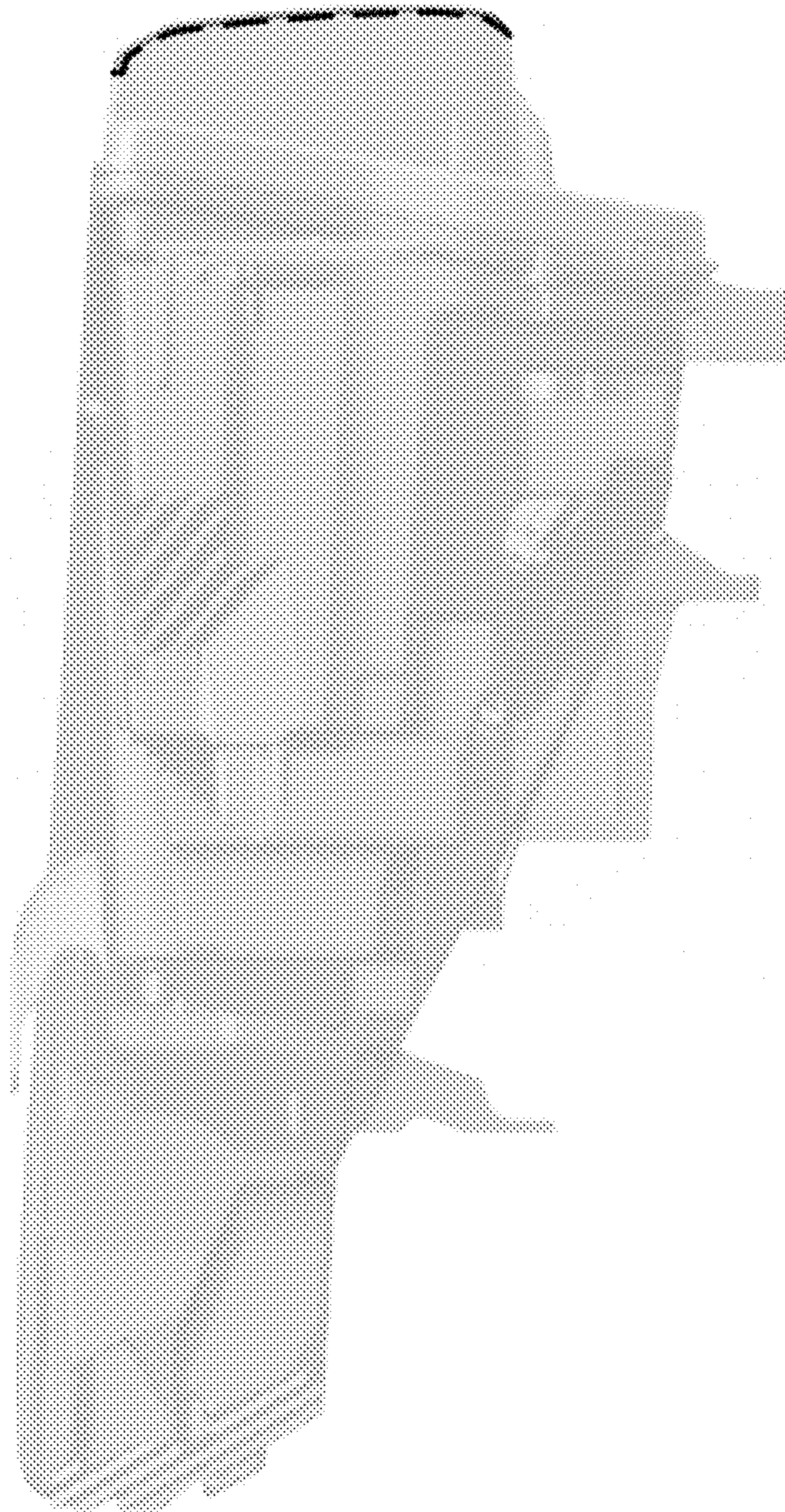
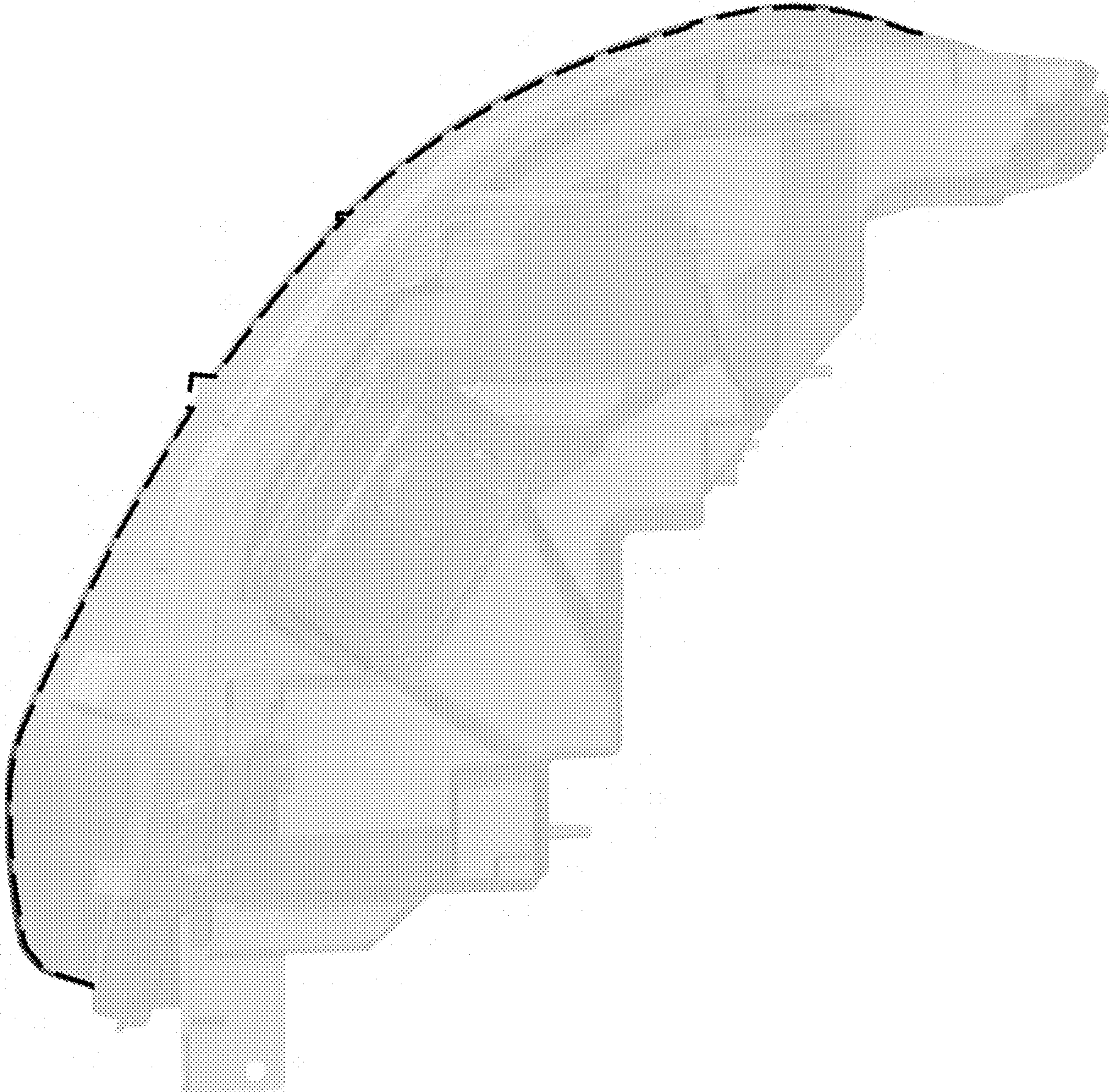


Fig. 3

Fig. 4



Fig. 5



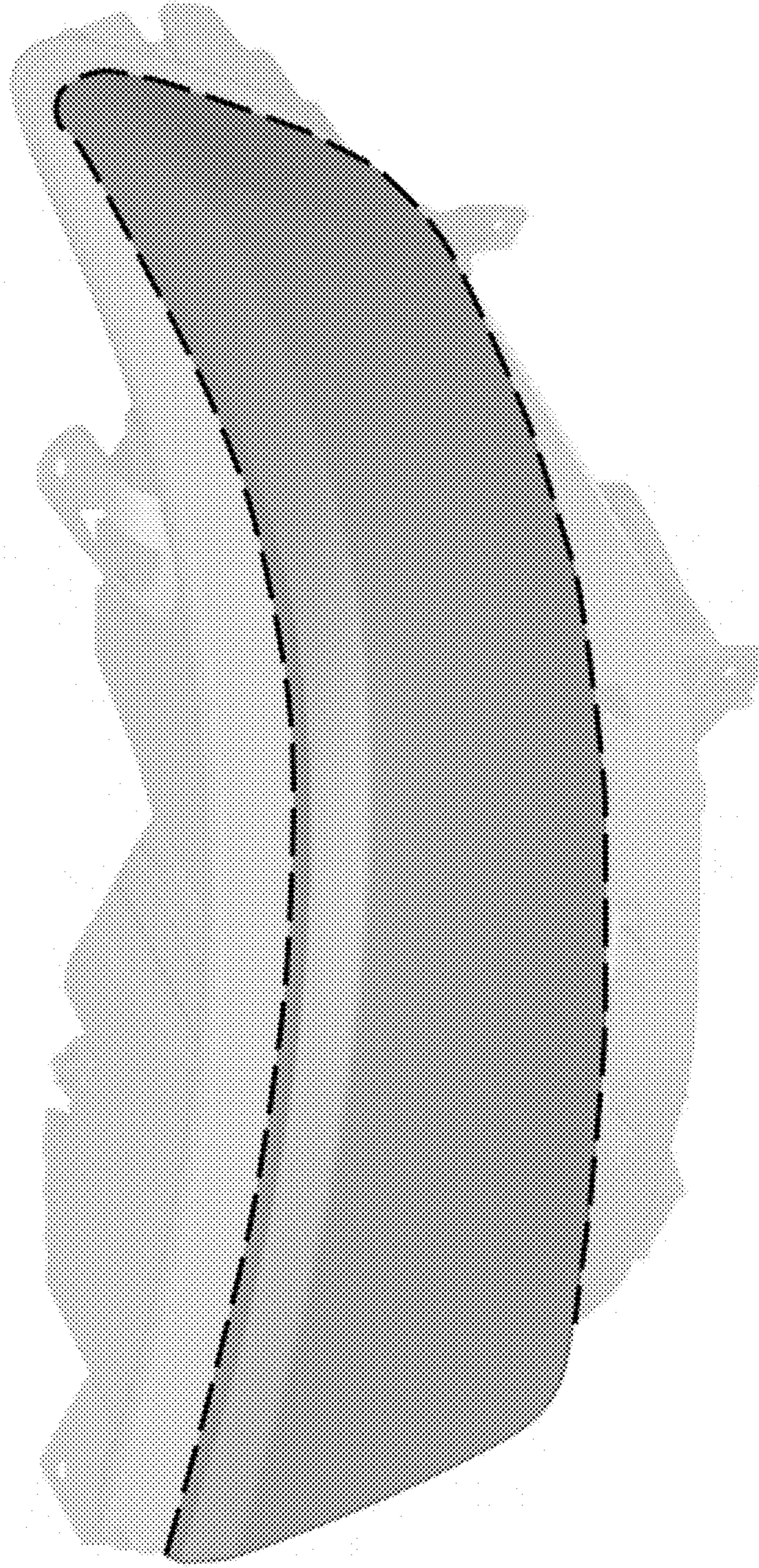


Fig. 6

Fig. 7

