



US00D921237S

(12) **United States Design Patent** (10) **Patent No.:** **US D921,237 S**
Schneider, IV (45) **Date of Patent:** **** *Jun. 1, 2021**

(54) **SURFACE MOUNT LIGHT FIXTURE**
(71) Applicant: **ITC Incorporated**, Hudsonville, MI (US)
(72) Inventor: **Edward T. Schneider, IV**, Hudsonville, MI (US)
(73) Assignee: **ITC Incorporated**, Hudsonville, MI (US)

D691,764 S * 10/2013 Sieczkowski D26/120
D736,433 S * 8/2015 Kuei-Lai D10/114.1
D736,991 S * 8/2015 Chen D26/120
D736,992 S * 8/2015 Chen D26/120
D745,720 S * 12/2015 Chang D26/28
D753,869 S * 4/2016 Prijic D26/120
D773,080 S * 11/2016 Liu D26/28
D783,194 S * 4/2017 Camarota D26/89
D790,757 S * 6/2017 Goltche D26/120
D797,963 S * 9/2017 Johnson D26/24
D811,633 S * 2/2018 Gould D26/28
D851,789 S * 6/2019 Johnson D26/24

(*) Notice: This patent is subject to a terminal disclaimer.

* cited by examiner

(**) Term: **15 Years**

Primary Examiner — Wan Laymon

Assistant Examiner — Clint A Samuel

(21) Appl. No.: **29/686,278**

(74) *Attorney, Agent, or Firm* — Varnum, Riddering, Schmidt & Howlett LLP

(22) Filed: **Apr. 3, 2019**

(57) **CLAIM**

(51) **LOC (13) Cl.** **26-03**

I claim the ornamental design for a surface mount light fixture, as shown and described.

(52) **U.S. Cl.**

DESCRIPTION

USPC **D26/24**

(58) **Field of Classification Search**

USPC D26/24, 28, 71, 83, 88, 89, 118, 120, D26/139; D12/190, 195, 196

CPC F21V 15/00; F21V 15/01; F21V 15/012; F21V 17/00; F21S 8/003; F21Y 2015/00; F21Y 2015/10; G02B 6/0095

See application file for complete search history.

FIG. 1 is a front perspective view of a surface mount light fixture;

FIG. 2 is a back perspective view of a surface mount light fixture;

FIG. 3 is a front view of a surface mount light fixture;

FIG. 4 is a side view of a surface mount light fixture;

FIG. 5 is an top view of a surface mount light fixture; and,

FIG. 6 is a back view of a surface mount light fixture.

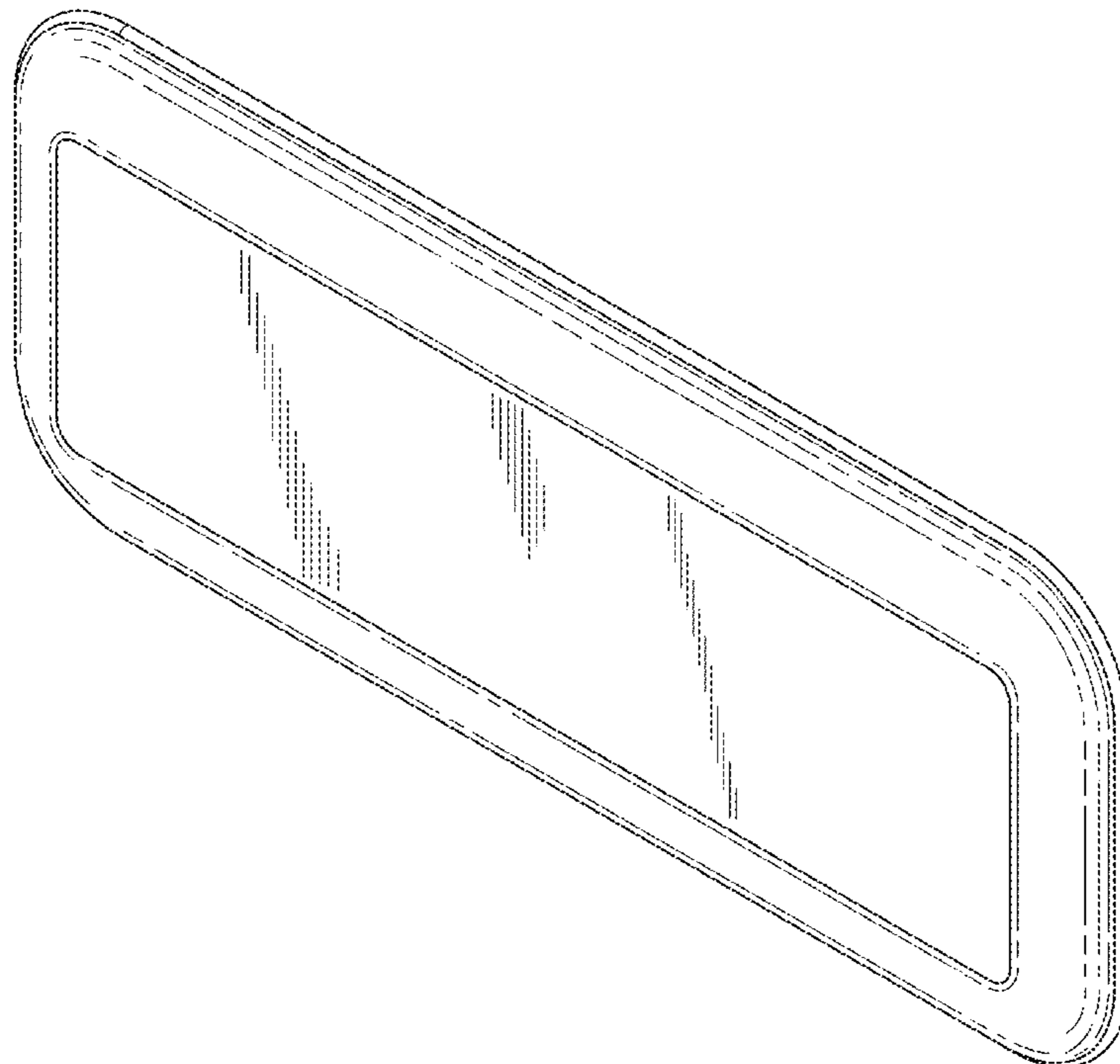
The broken lines shown in drawings are included for the purpose of illustrating portions of the surface mount light fixture and form no part of the claimed design.

(56) **References Cited**

U.S. PATENT DOCUMENTS

D549,367 S * 8/2007 Hovind D26/28
D564,694 S * 3/2008 Southern, Jr. D26/76
D632,008 S * 2/2011 Kim D26/120

1 Claim, 3 Drawing Sheets



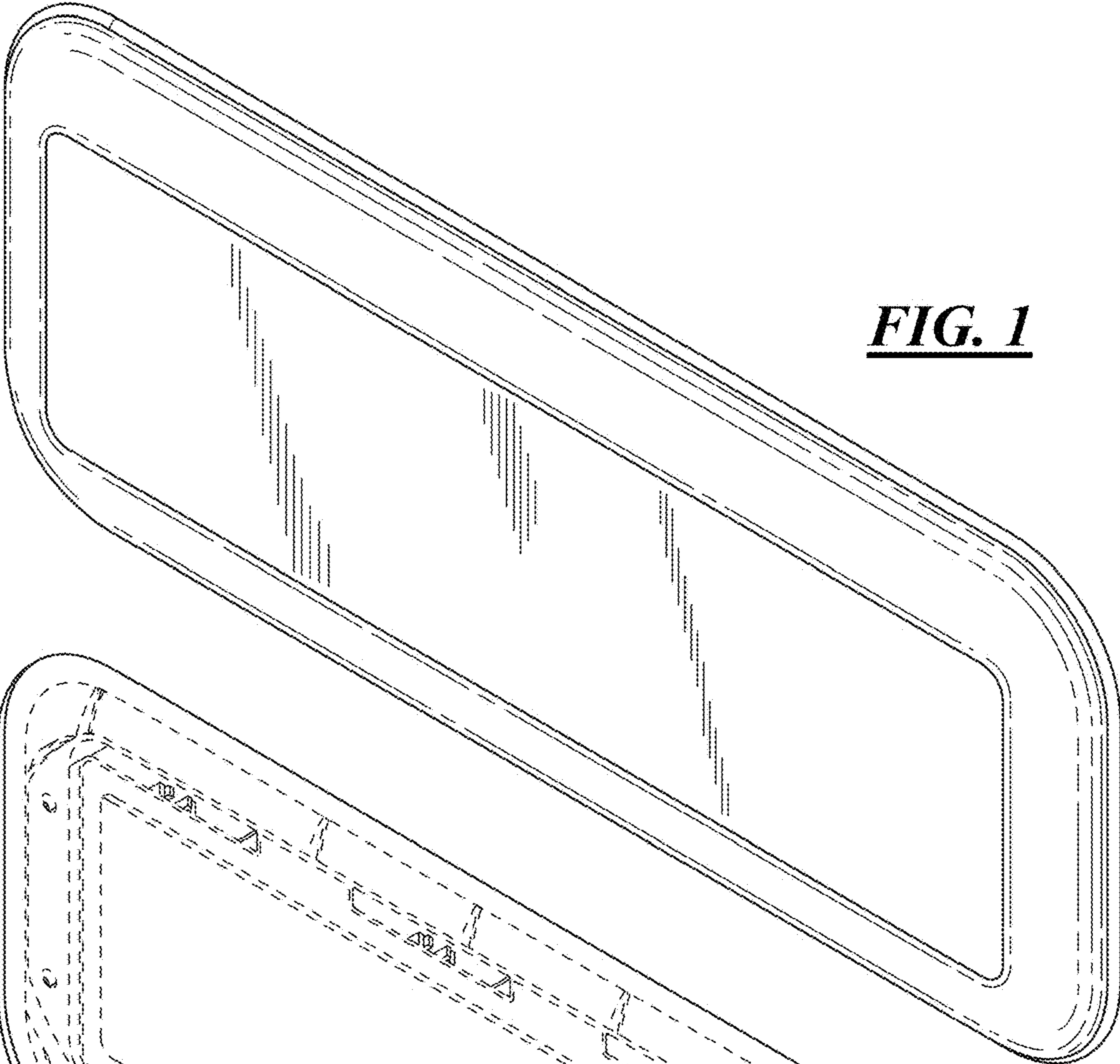


FIG. 1

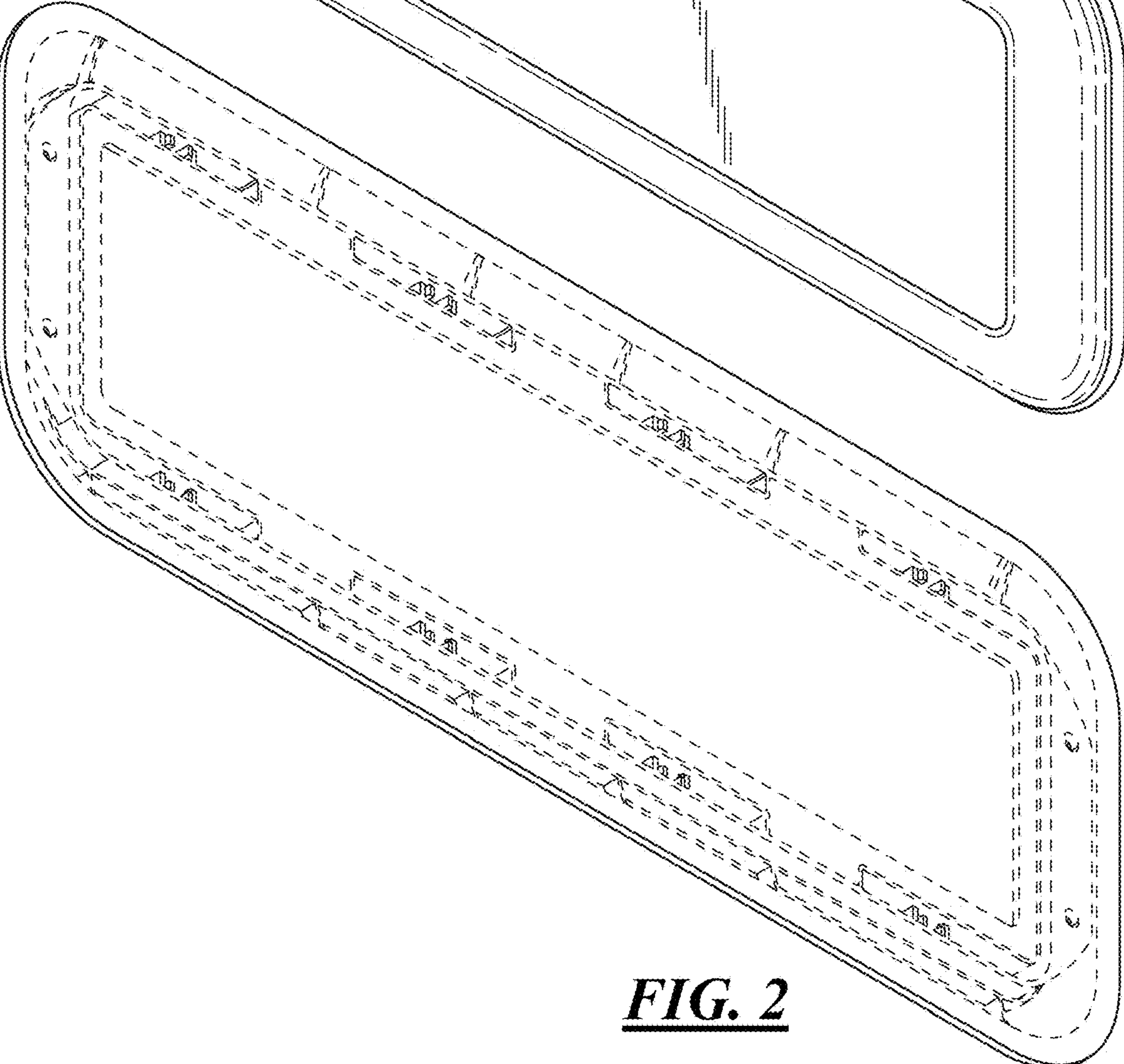


FIG. 2

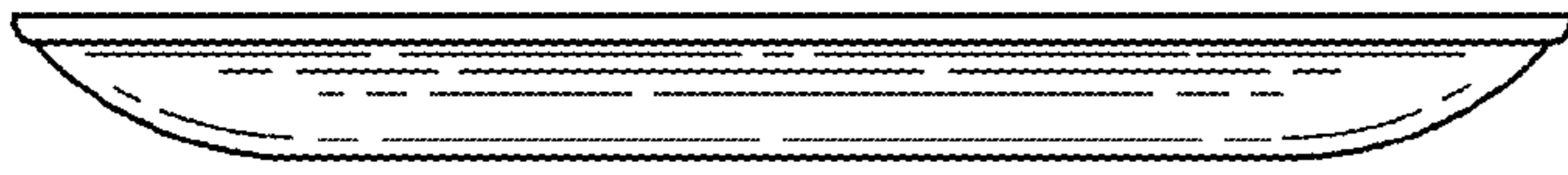


FIG. 4

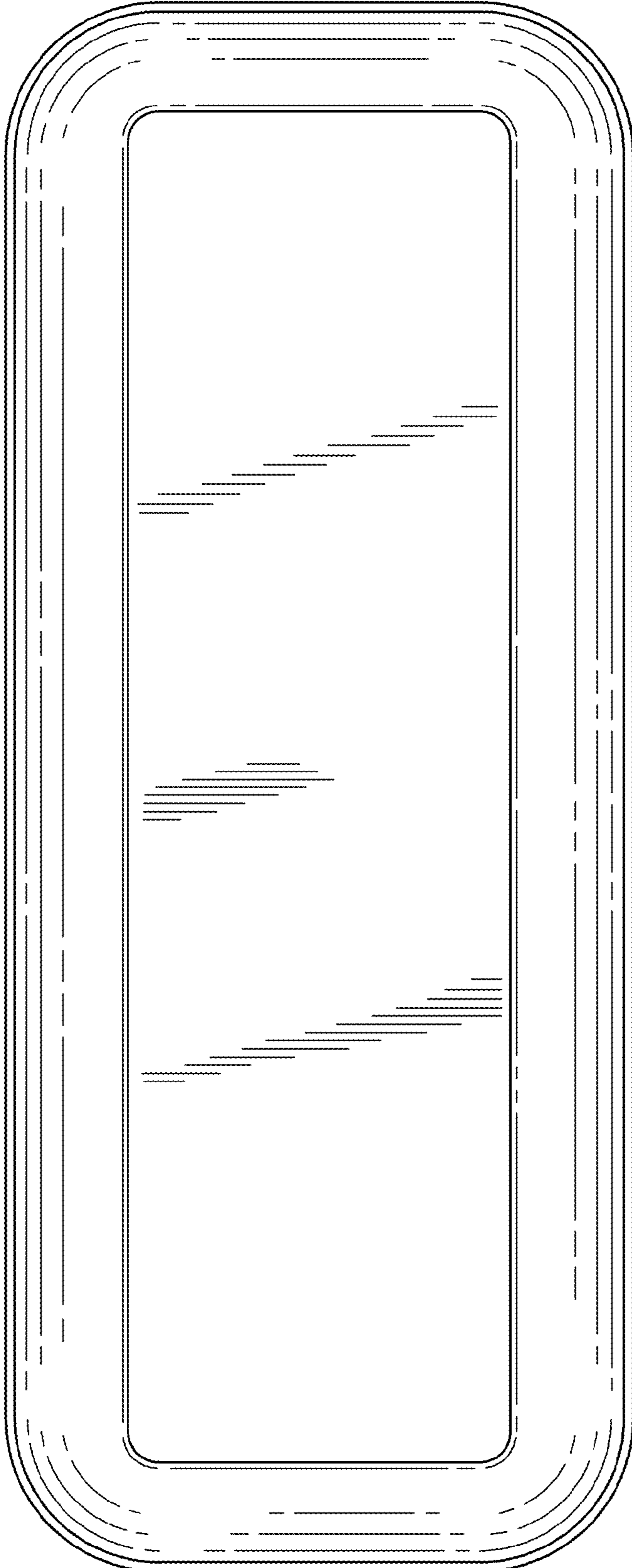


FIG. 3

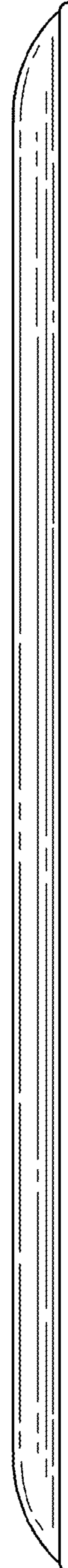


FIG. 5

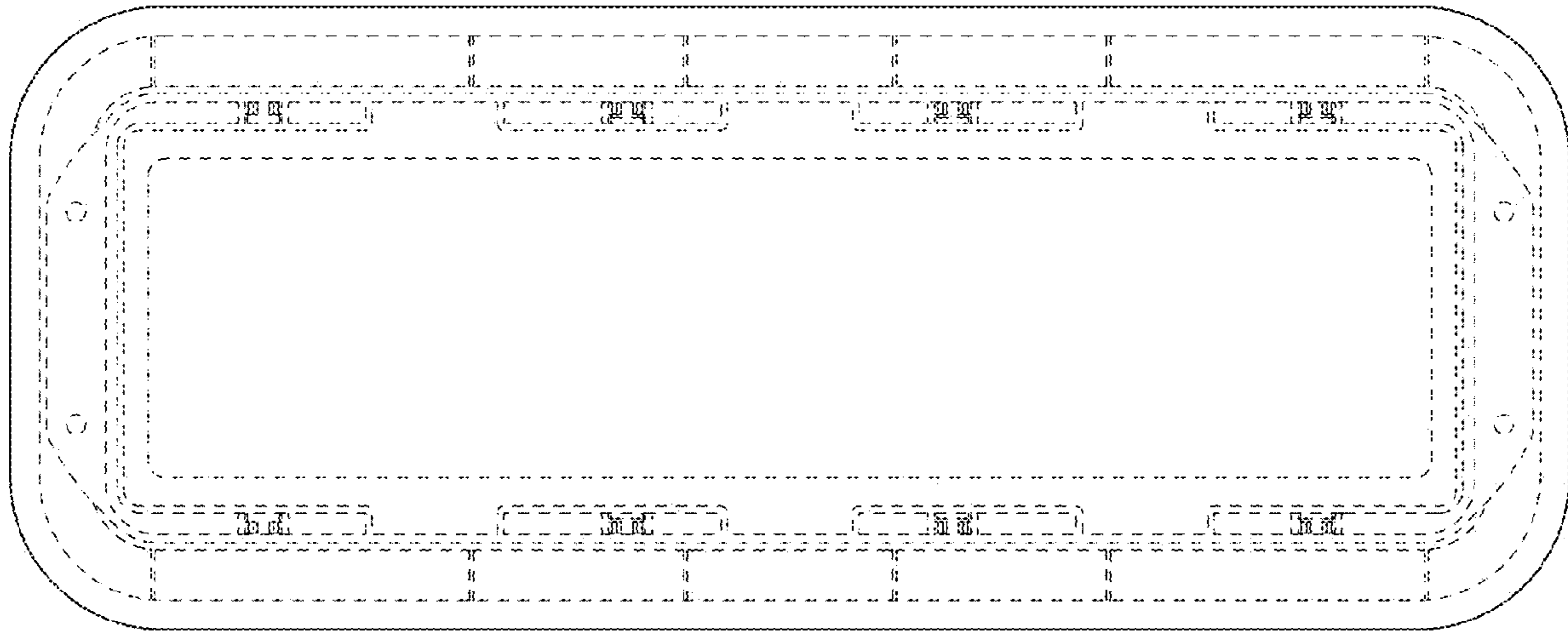


FIG. 6