



US00D921228S

(12) **United States Design Patent** (10) **Patent No.:** **US D921,228 S**
Sørensen (45) **Date of Patent:** **** Jun. 1, 2021**

(54) **ACOUSTIC BUILDING ELEMENT**

Primary Examiner — Doris Clark

(71) Applicant: **Rockwool International A/S,**
Hedehusene (DK)

(74) *Attorney, Agent, or Firm* — Cook Alex Ltd.

(72) Inventor: **Nicolai Sørensen,** Hedehusene (DK)

(57) **CLAIM**

The ornamental design for an acoustic building element, as shown and described.

(73) Assignee: **Rockwool International A/S,**
Hedehusene (DK)

DESCRIPTION

(**) Term: **15 Years**

FIG. 1 is a perspective view of a first embodiment of an acoustic building element showing my new design; FIG. 2 is a front view of the acoustic building element of FIG. 1, the side view from the left side being a mirror image thereof;

(21) Appl. No.: **29/722,477**

FIG. 3 is an end view of the acoustic building element of FIG. 1 taken from the right side, the rear view being identical thereto;

(22) Filed: **Jan. 30, 2020**

FIG. 4 is a perspective view of a second embodiment of an acoustic building element showing my new design;

(30) **Foreign Application Priority Data**

Aug. 9, 2019 (EP) 006691028-0004
Aug. 9, 2019 (EP) 006691028-0005
Aug. 9, 2019 (EP) 006691028-0006

FIG. 5 is a front view of the acoustic building element of FIG. 4, the side view from the left side being a mirror image thereof;

(51) **LOC (13) Cl.** **25-01**

FIG. 6 is an end view of the acoustic building element of FIG. 4 taken from the right side, the rear view being identical thereto;

(52) **U.S. Cl.**
USPC **D25/138**

FIG. 7 is a perspective view of a third embodiment of an acoustic building element showing my new design;

(58) **Field of Classification Search**
USPC D25/158, 160, 162, 138
CPC .. E04F 15/20; E04B 1/99; E04B 1/994; E04B 1/82; E04B 1/84; E04B 1/86; E04B 2001/8457; E04B 2001/8471; E04B 2001/8414; E04B 2001/8404; E04B 2001/8409; E04B 9/00

FIG. 8 is a is a front view of the acoustic building element of FIG. 7, the side view from the left side being a mirror image thereof;

See application file for complete search history.

FIG. 9 is an end view of the acoustic building element of FIG. 7 taken from the right side, the rear view being identical thereto; and,

(56) **References Cited**

U.S. PATENT DOCUMENTS

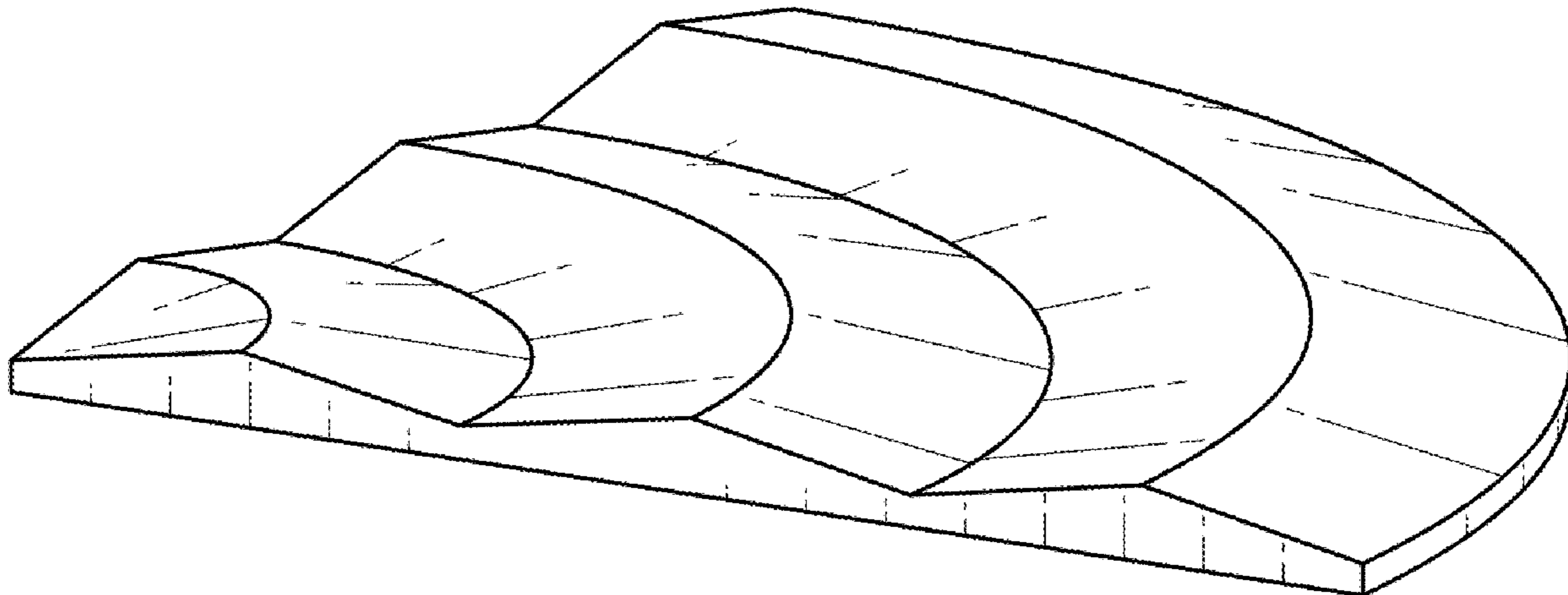
D195,460 S * 6/1963 Lanz D25/158
D201,880 S * 8/1965 Radcliffe D25/158
D206,436 S * 12/1966 Hurban D25/158
D207,055 S * 2/1967 Gorka D25/160
D238,573 S * 1/1976 Goldman D25/160
D618,364 S * 6/2010 Schrom D25/113

FIG. 10 is a top view of the first embodiment of an acoustic building element shown in FIG. 1 the top views of the second embodiment shown in FIG. 4 and the third embodiment shown in FIG. 7 being identical thereto.

No drawing figures showing a bottom view are provided, as the bottoms of the acoustic building elements are flat and include no surface ornamentation.

(Continued)

1 Claim, 10 Drawing Sheets



(56)

References Cited

U.S. PATENT DOCUMENTS

D714,968 S * 10/2014 Martin D25/157
8,960,367 B1 * 2/2015 Leclerc G10K 11/20
181/286
9,058,799 B2 * 6/2015 Algargoosh G10K 11/16
9,260,863 B2 * 2/2016 Thun E04B 9/34
9,322,165 B2 * 4/2016 Luhtala E04B 1/84
9,624,662 B1 * 4/2017 Hall E04B 1/86
D806,905 S * 1/2018 Kitajima D25/138
D806,906 S * 1/2018 Kitajima D25/138

* cited by examiner

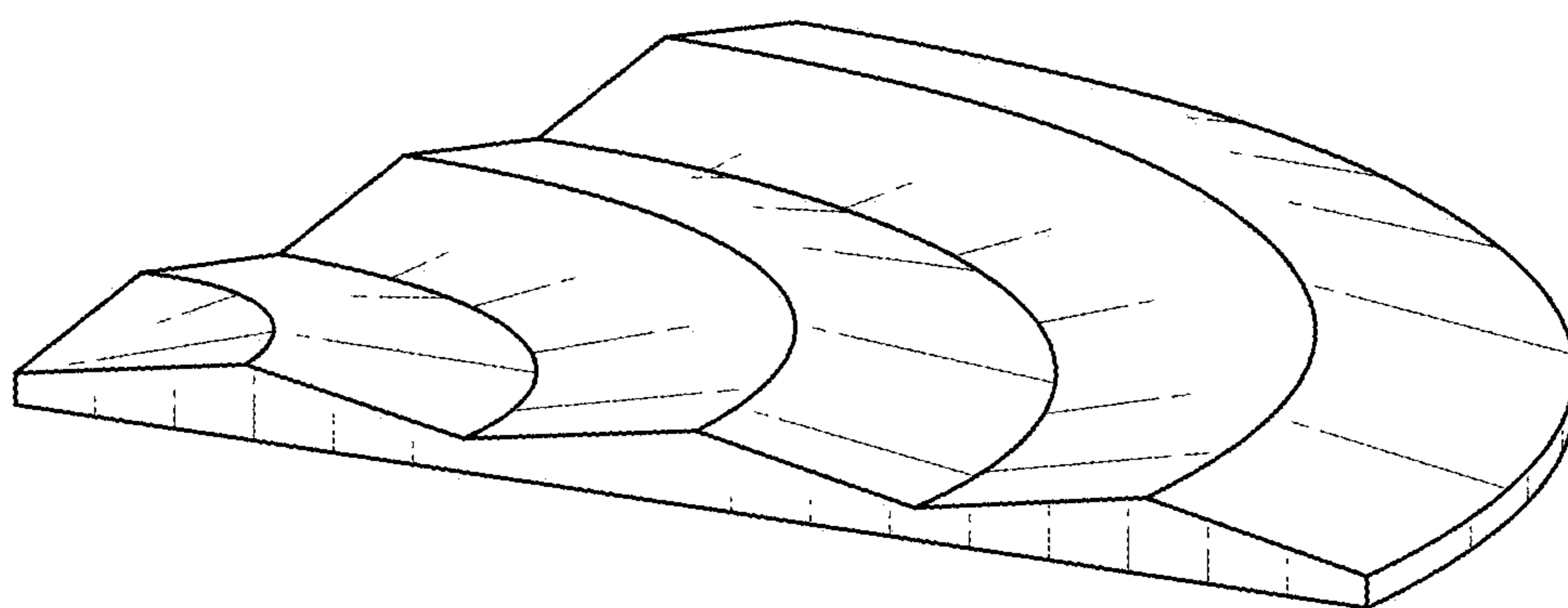


Fig. 1



Fig. 2

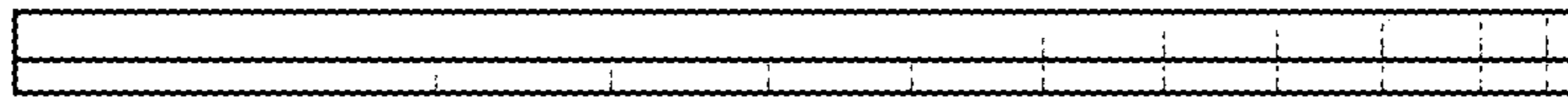


Fig. 3

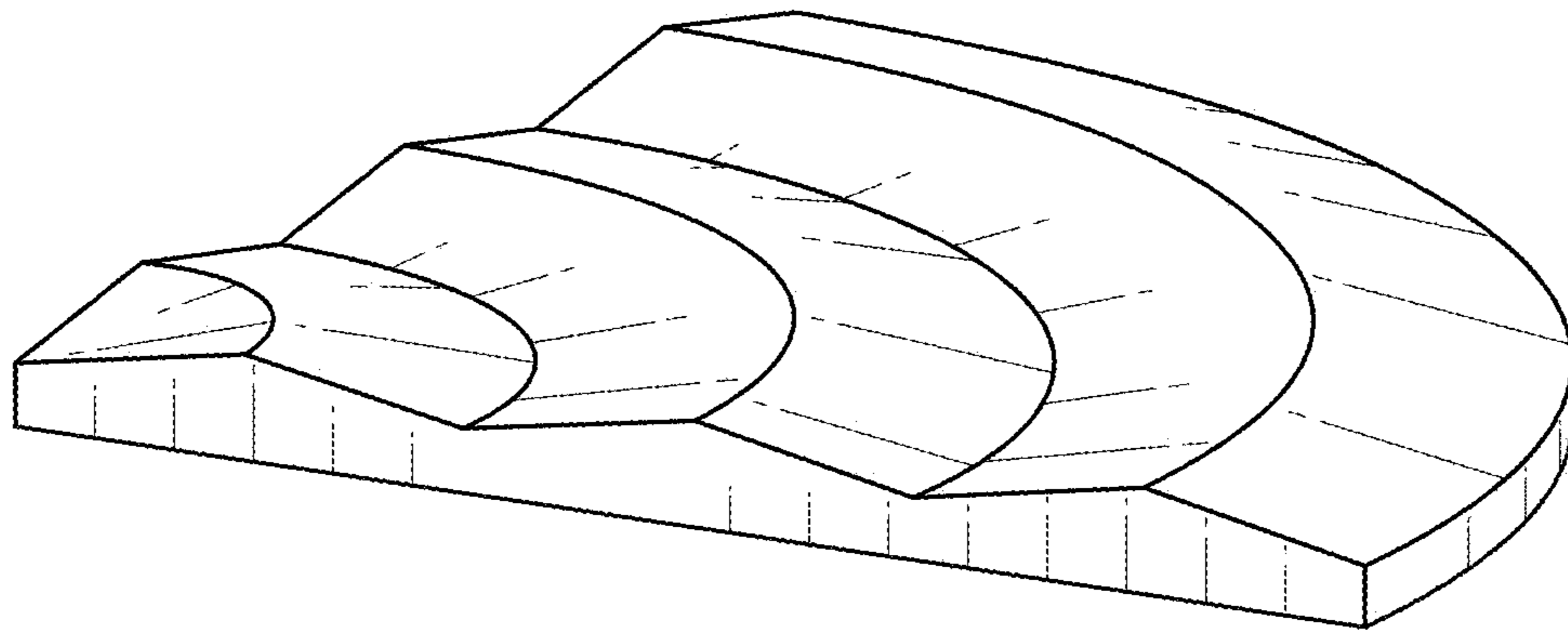


Fig. 4



Fig. 5

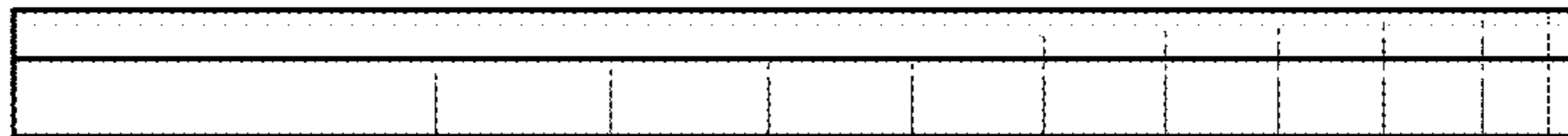


Fig. 6

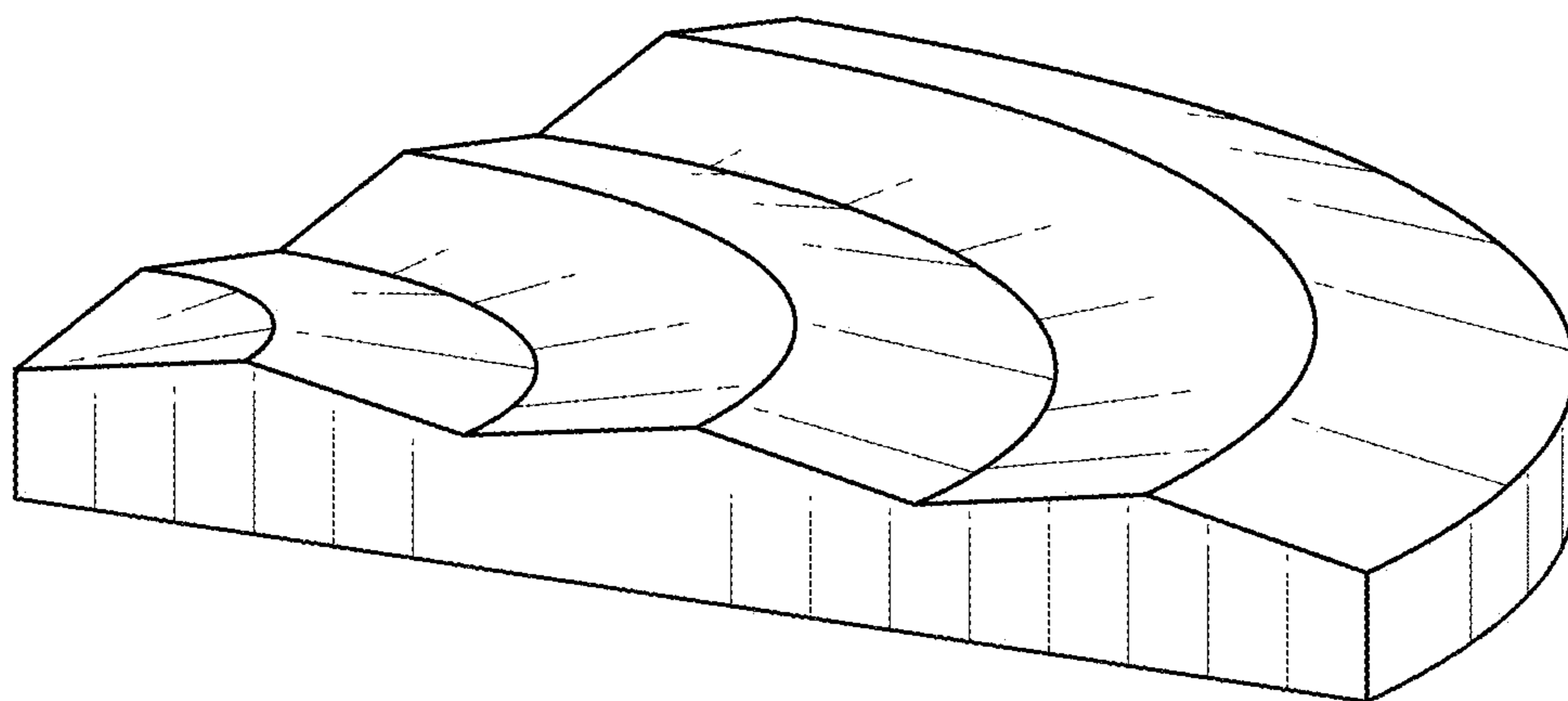


Fig. 7

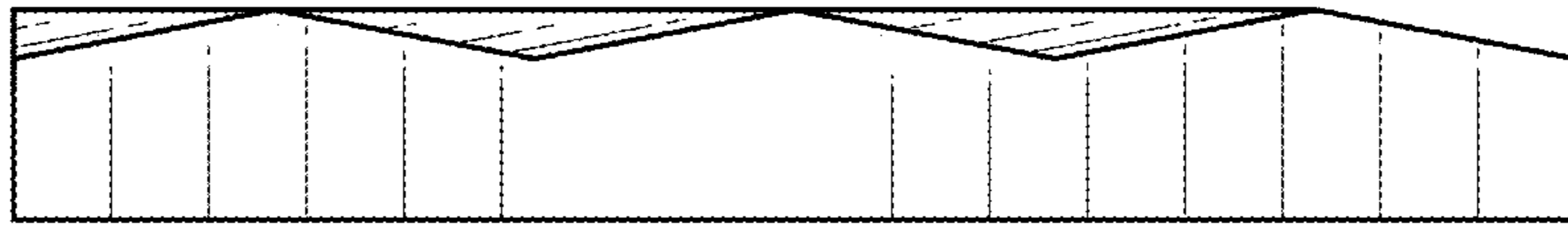


Fig. 8

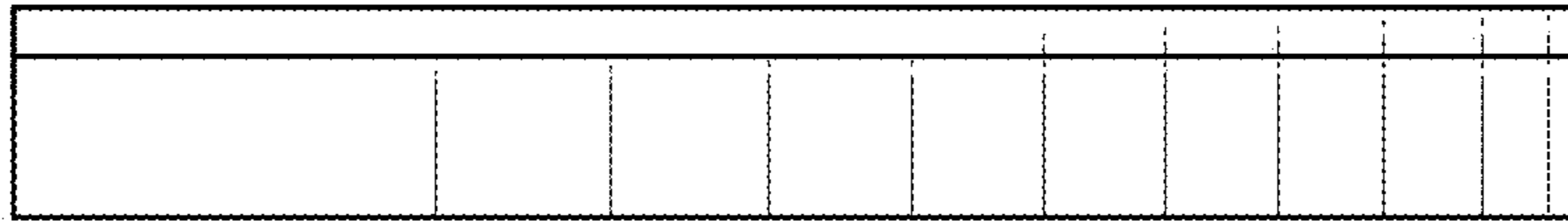


Fig. 9

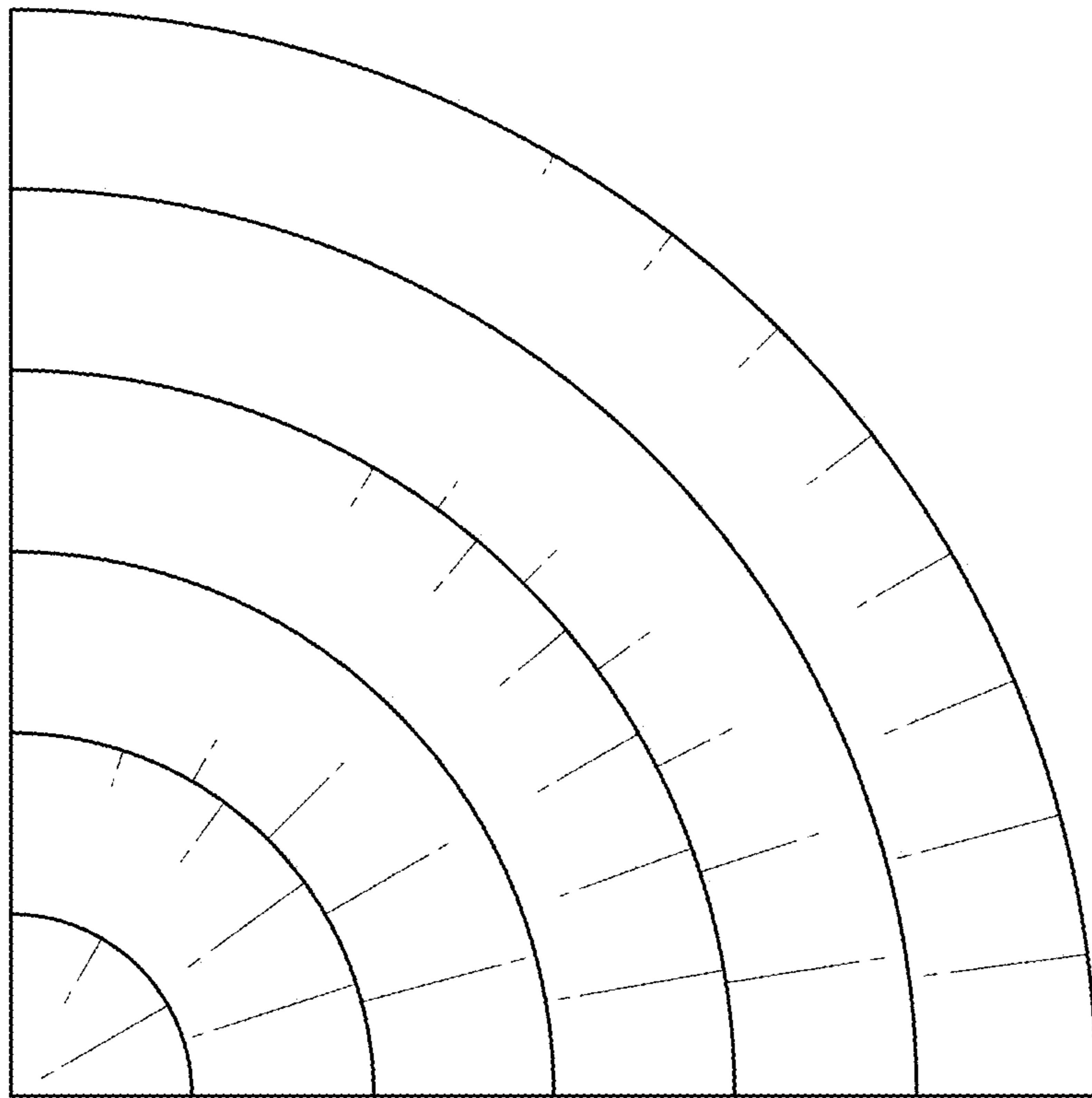


Fig. 10