



US00D921220S

(12) **United States Design Patent**
Motomura et al.

(10) **Patent No.:** **US D921,220 S**
(45) **Date of Patent:** **** Jun. 1, 2021**

(54) **SAMPLE HOLDER**

FOREIGN PATENT DOCUMENTS

(71) Applicant: **Sumitomo Electric Industries, Ltd.**,
Osaka (JP)

JP 1346184 S 7/2009
KR 3020180009767 2/2018

(72) Inventors: **Asako Motomura**, Osaka (JP); **Akinori Kimura**, Osaka (JP); **Yoko Sugiyama**, Osaka (JP); **Hiroshi Suganuma**, Osaka (JP)

OTHER PUBLICATIONS

Ampola de Plexiglass Stand Suporte para Garrafa de Amostra 50 Buracos Tamanho Dos Poros 11/12.5/17/19/23mm Injeção Garrafa Rack Para 1/2/5ml/10ml/20ml. Online, published date unknown. Retrieved on Feb. 4, 2021 from URL: https://pt.aliexpress.com/item/32834220736.html?aff_fsk=_pwyiuAT&aff_platform=api-new-link-genera.*

(73) Assignee: **Sumitomo Electric Industries, Ltd.**,
Osaka (JP)

(**) Term: **15 Years**

Primary Examiner — Susan Bennett Hattan
Assistant Examiner — Omeed Agilee

(21) Appl. No.: **29/759,767**

(74) *Attorney, Agent, or Firm* — Baker Botts L.L.P.;
Michael A. Sartori

(22) Filed: **Nov. 25, 2020**

Related U.S. Application Data

(62) Division of application No. 29/684,853, filed on Mar. 25, 2019.

(57) **CLAIM**

The ornamental design for a sample holder, as shown and described.

Foreign Application Priority Data

Sep. 25, 2018 (JP) 2018-020814
Sep. 25, 2018 (JP) 2018-020815

DESCRIPTION

(51) **LOC (13) Cl.** **24-02**

(52) **U.S. Cl.**
USPC **D24/227; D24/229**

(58) **Field of Classification Search**
USPC D24/187, 216, 223-230; D3/203.1,
D3/203.3; D9/456, 748, 749, 755, 756,
D9/759

FIG. 1 is a left perspective view of the present invention.
FIG. 2 is a right perspective view thereof.
FIG. 3 is a front view thereof.
FIG. 4 is a rear view thereof.
FIG. 5 is a top plan view thereof.
FIG. 6 is a bottom plan view thereof.
FIG. 7 is a right side view thereof.
FIG. 8 is a left side view thereof.
FIG. 9 is a sectional view taken along the line 9-9 of the sample holder of FIG. 5.
FIG. 10 is an enlarged sectional view taken along the line 10-10 of the sample holder of FIG. 3.
FIG. 11 is an enlarged sectional view taken along the line 11-11 of the sample holder of FIG. 3; and,
FIG. 12 is a sectional view taken along the line 12-12 of the sample holder of FIG. 3.
The features shown in broken lines depict environmental subject matter only and form no part of the claimed design.

(Continued)

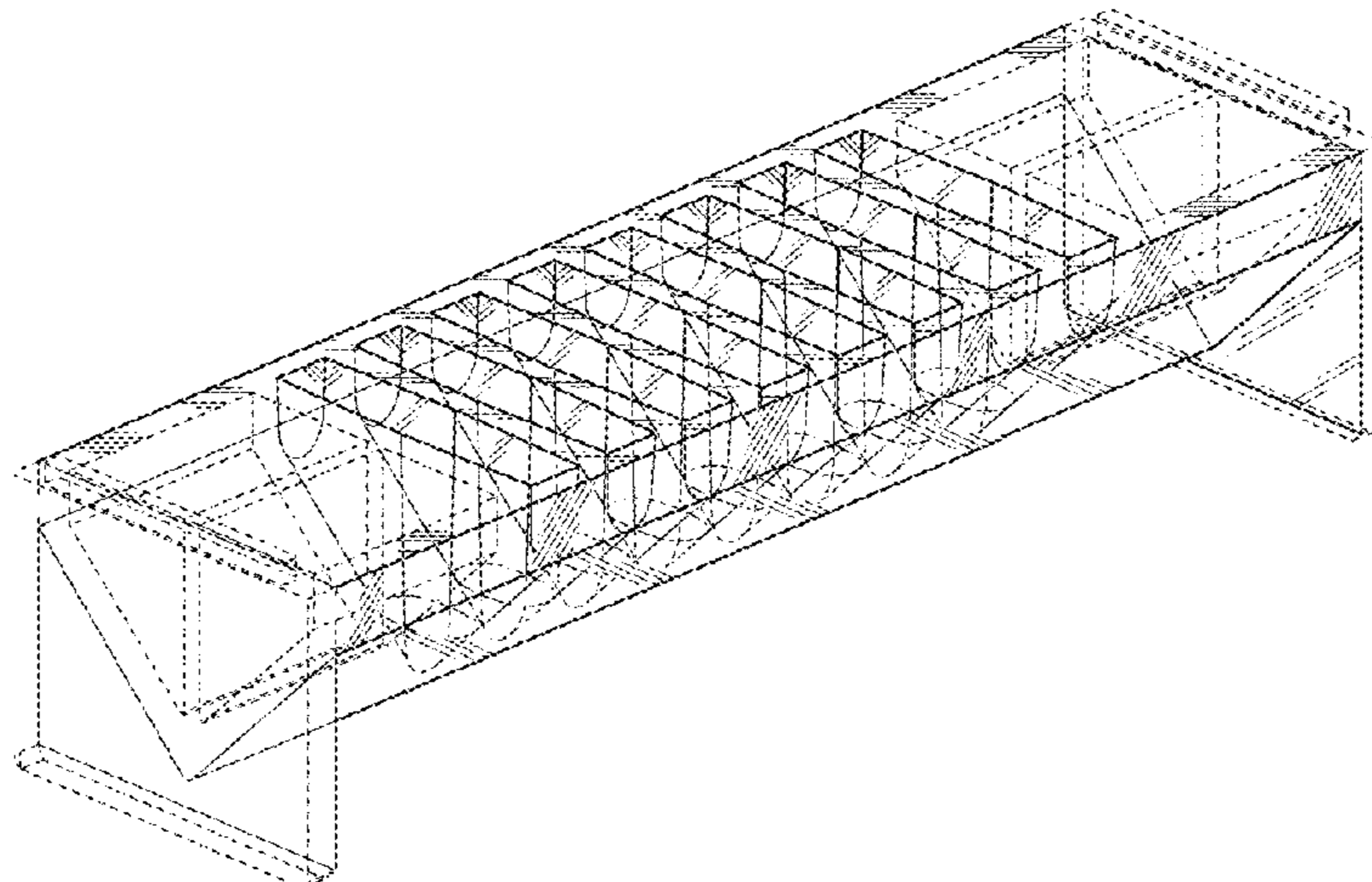
(56) **References Cited**

U.S. PATENT DOCUMENTS

D224,671 S 8/1972 Eddy
D242,154 S 11/1976 Goy

(Continued)

(Continued)



The dot dash dot broken lines depict the boundaries of the claim and form no part thereof.

1 Claim, 12 Drawing Sheets

(58) Field of Classification Search

CPC A61B 5/150343; B01D 9/00; B01L 3/06;
B01L 3/502; B01L 3/5025

See application file for complete search history.

(56) References Cited

U.S. PATENT DOCUMENTS

D242,654 S	12/1976	Rawls	
D264,245 S	5/1982	Olsen	
D335,348 S *	5/1993	Frenkel	D24/224
D360,264 S *	7/1995	Wolff	D24/224
D367,932 S *	3/1996	Lim	D24/226
D416,330 S	11/1999	Brown	
D438,632 S	3/2001	Miller	
D481,133 S *	10/2003	Blouin	D24/229
D767,409 S	9/2016	Nickell	
D786,448 S	5/2017	Ohsaka	
D787,086 S *	5/2017	Ohsaka	D24/224
D787,699 S *	5/2017	Ohsaka	D24/224
D800,915 S *	10/2017	Livingston	D24/224
D808,039 S	1/2018	Self	
D809,154 S *	1/2018	Livingston	D24/224
D832,456 S	10/2018	Self	
D838,380 S	1/2019	Self	
D851,274 S	6/2019	Gomi	
D871,234 S *	12/2019	Grove	D9/761
2018/0224177 A1 *	8/2018	Gaines	F25C 1/243

* cited by examiner

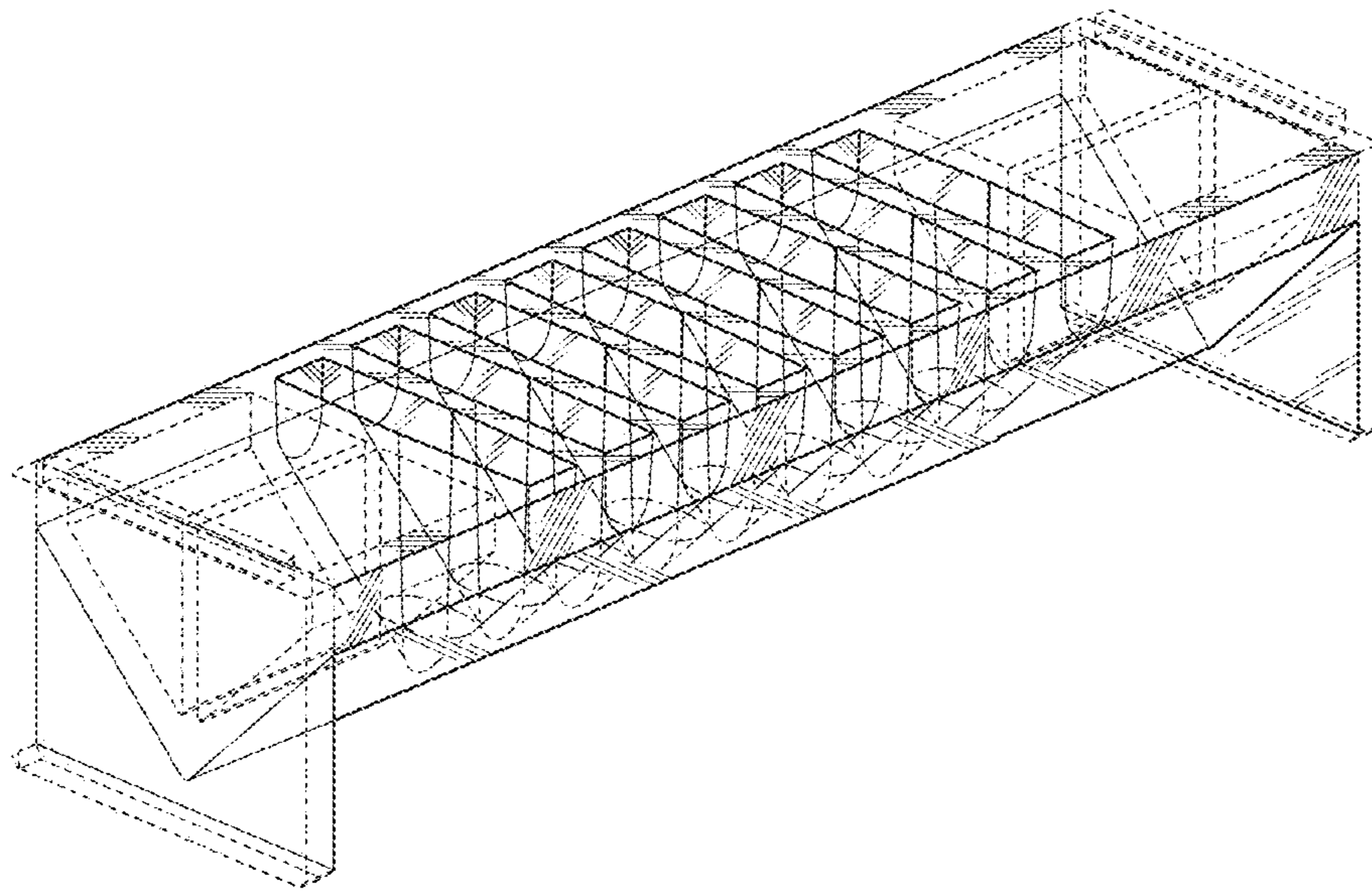


FIG. 1

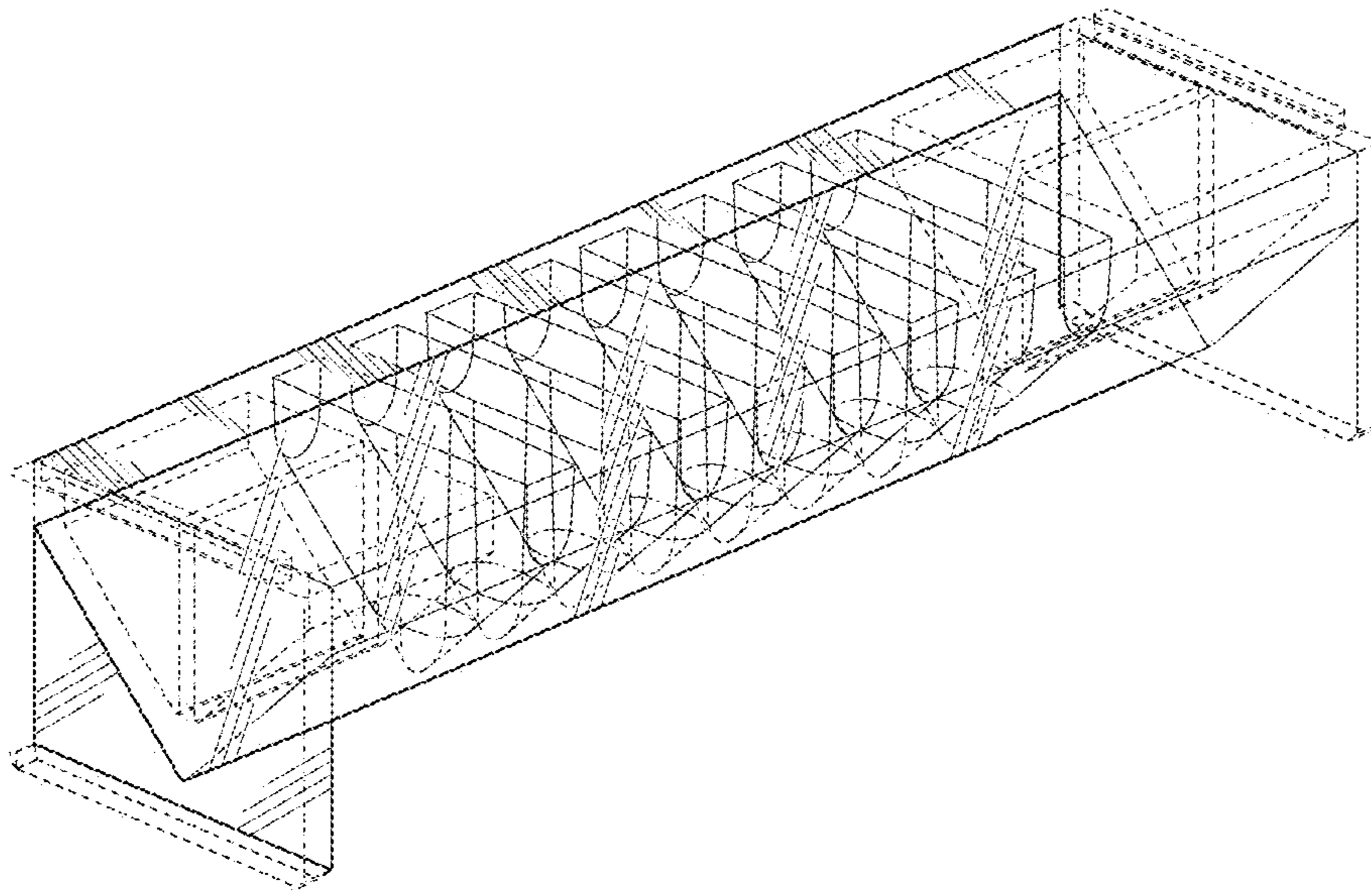


FIG. 2

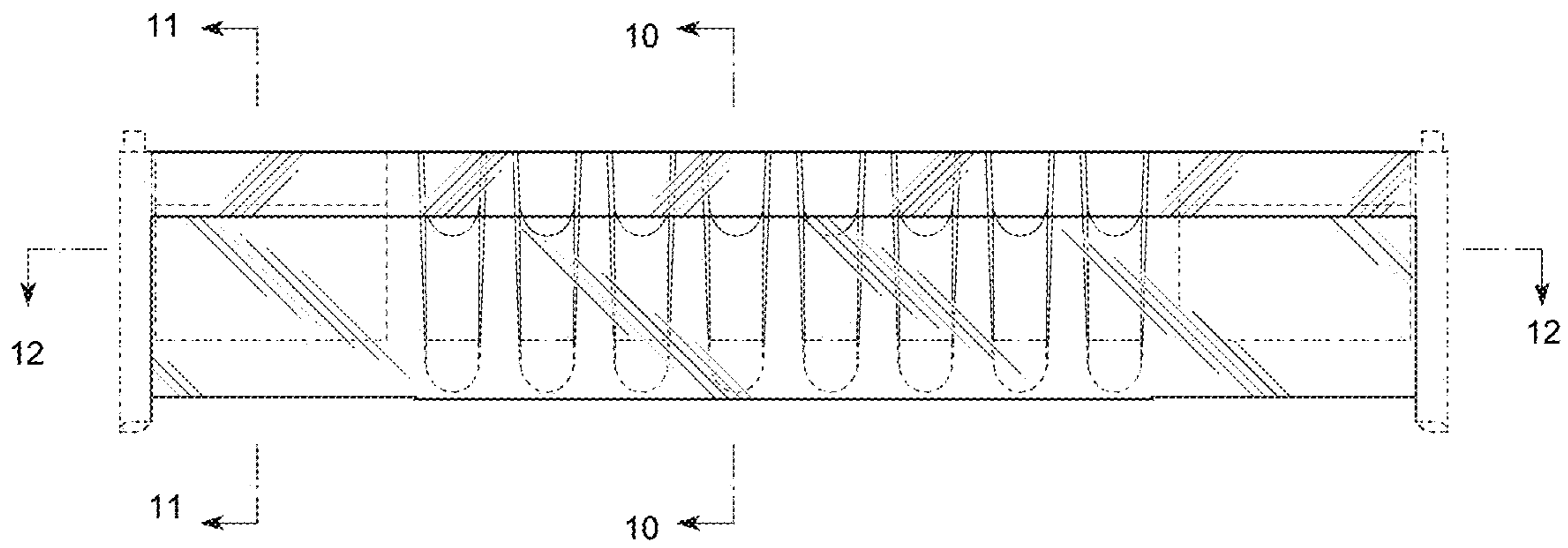


FIG. 3

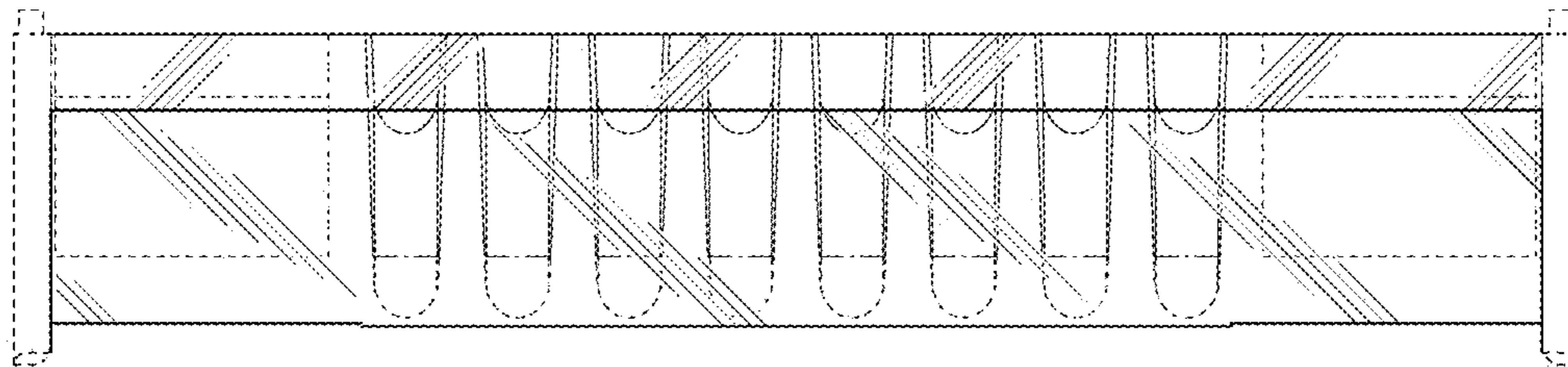


FIG. 4

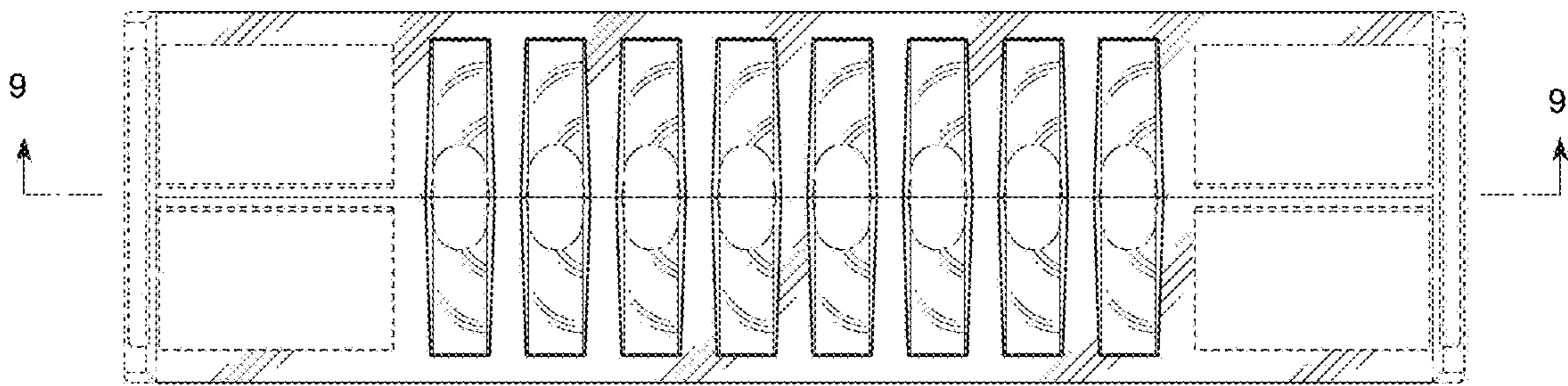


FIG. 5

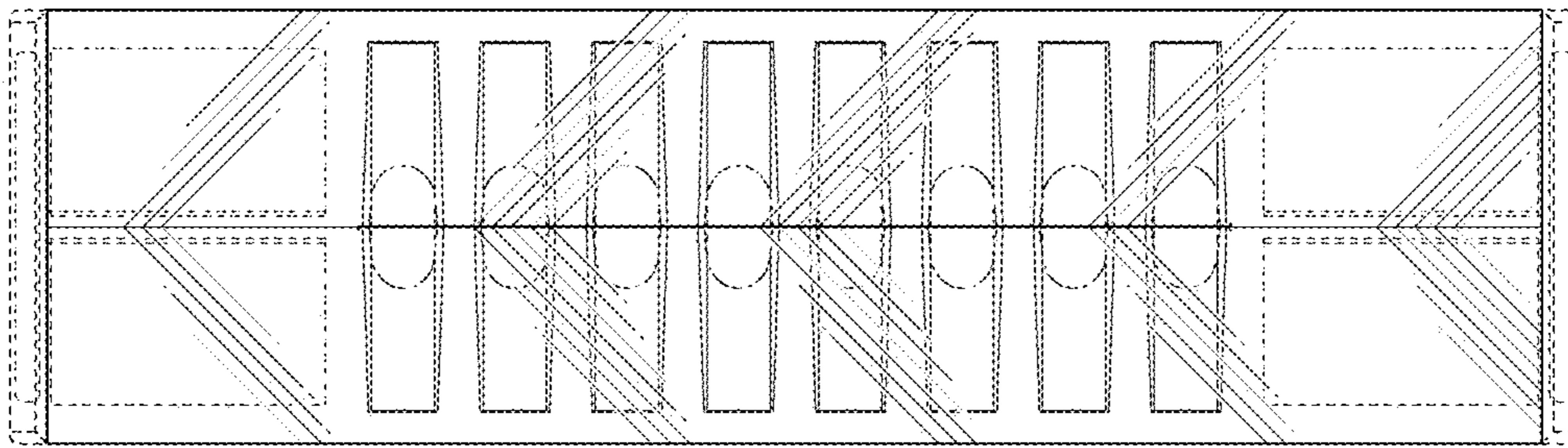


FIG. 6

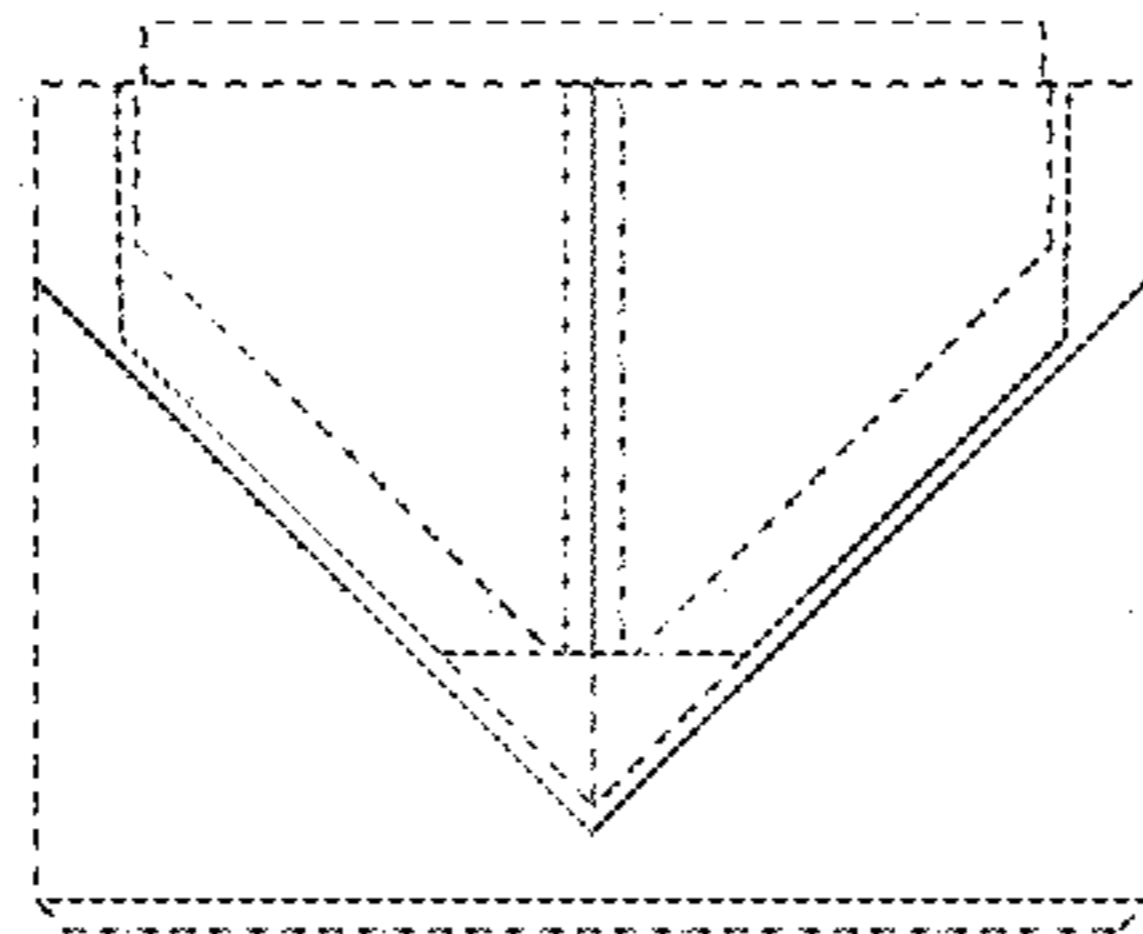


FIG. 7

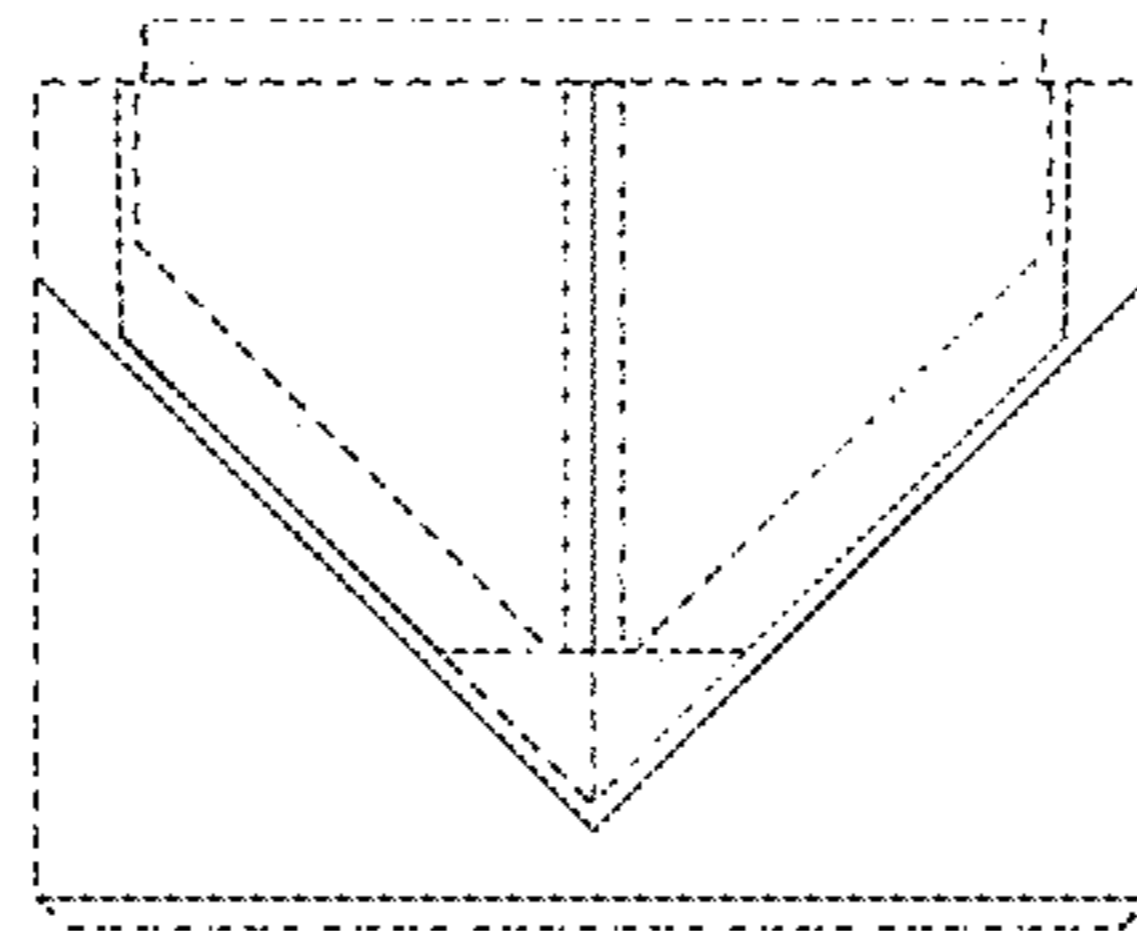


FIG. 8

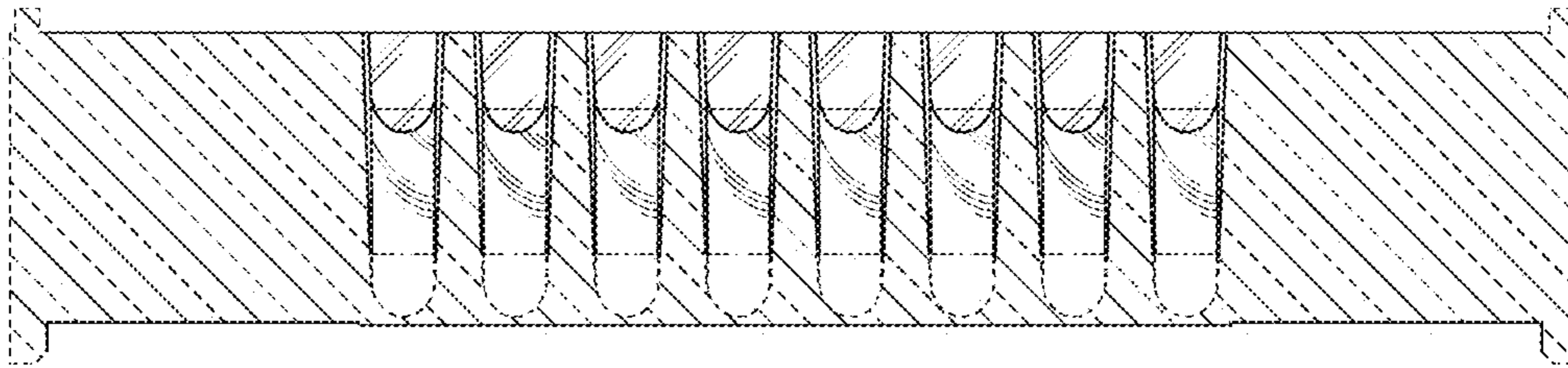


FIG. 9

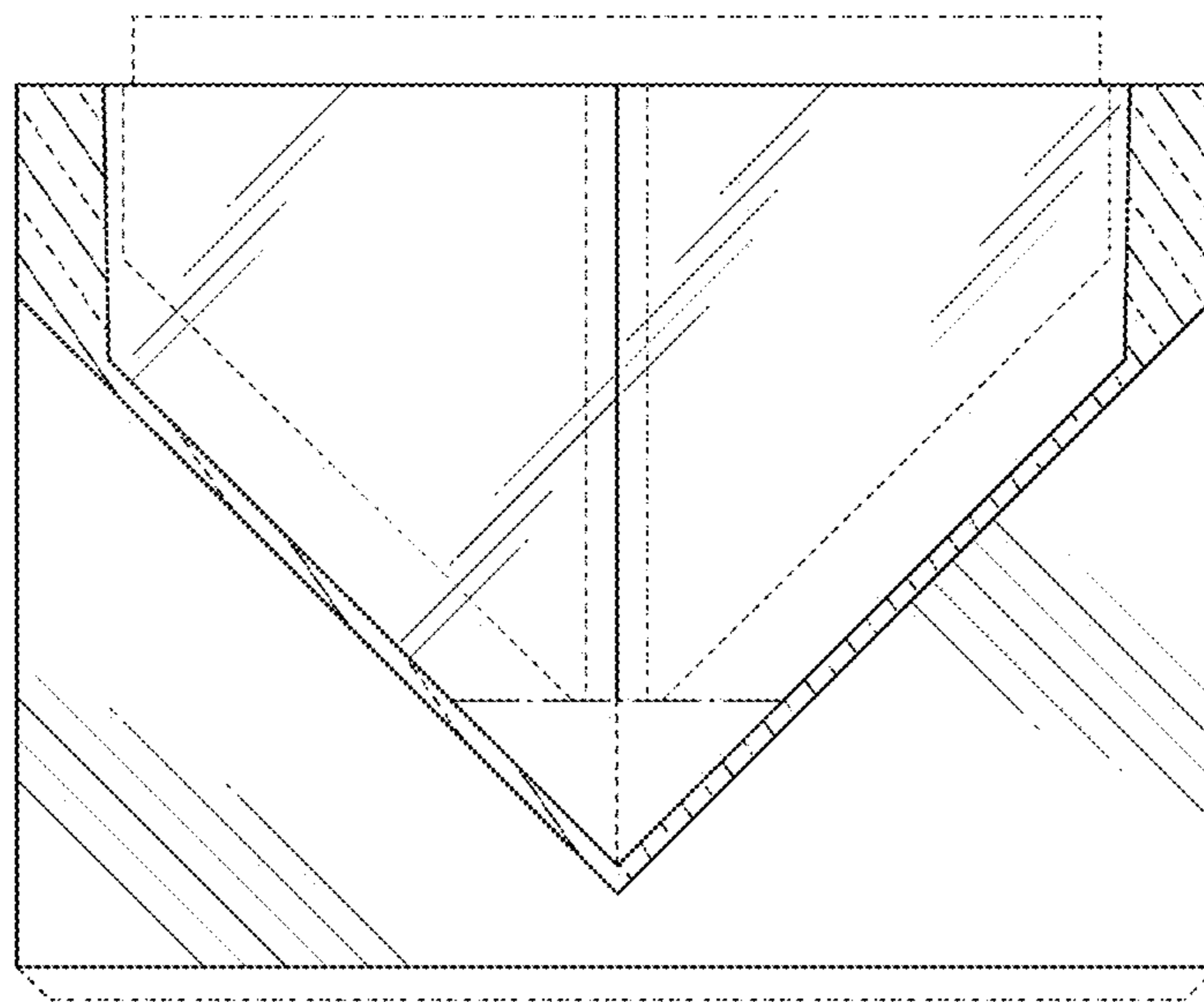


FIG. 10

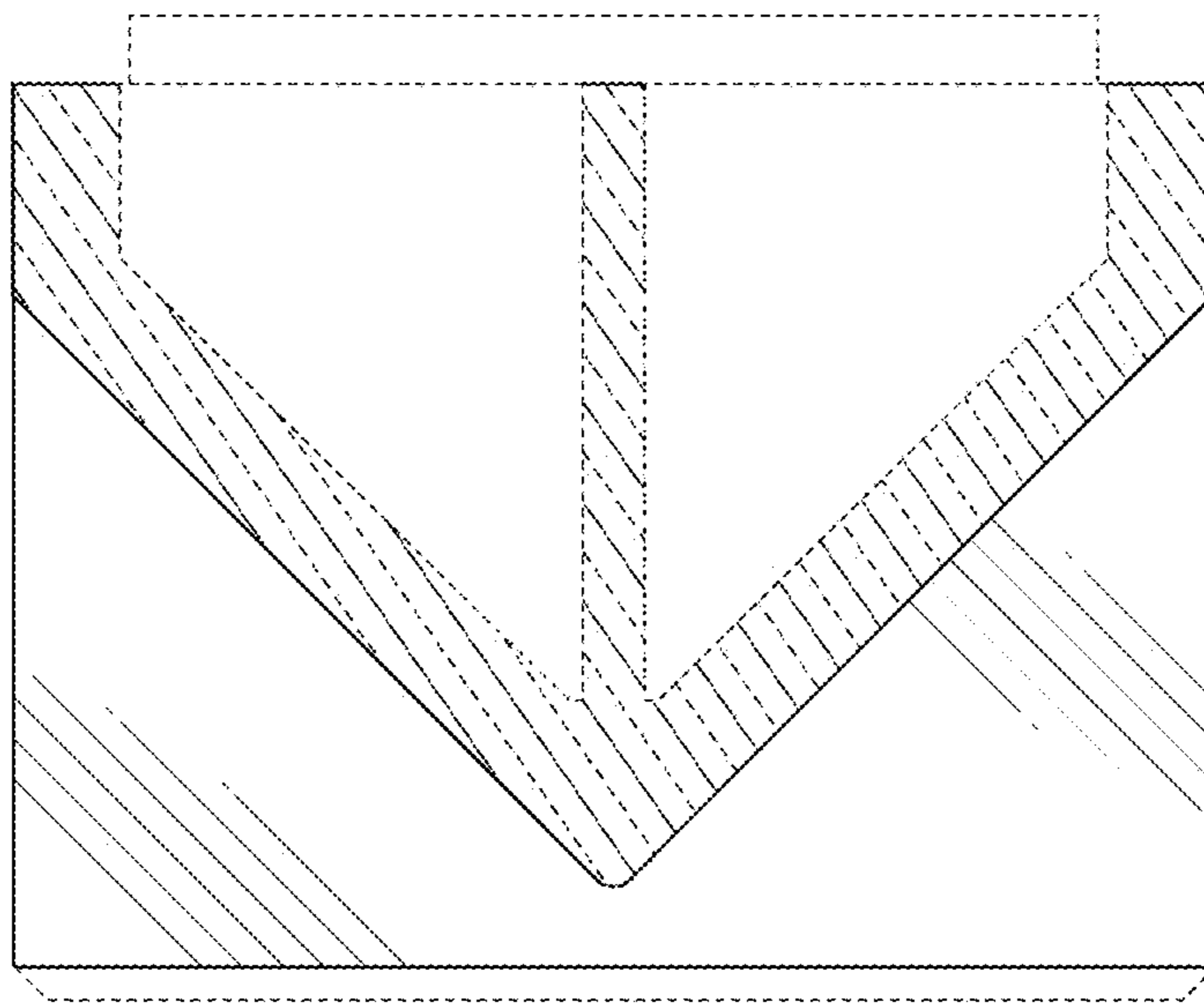


FIG. 11

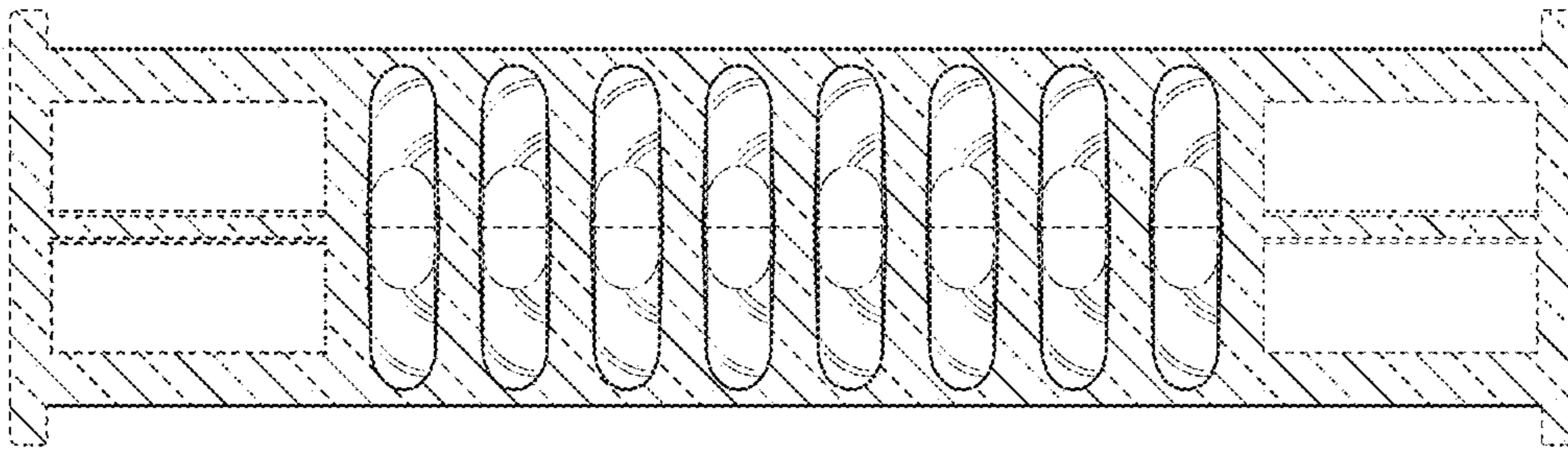


FIG. 12