



US00D921218S

(12) **United States Design Patent** (10) **Patent No.:** **US D921,218 S**  
**Baker et al.** (45) **Date of Patent:** **\*\* Jun. 1, 2021**

(54) **PIPETTE TIP HOLDER CHAIN LINK**

2016/0139163 A1 5/2016 Gisler et al.  
 2018/0143215 A1 5/2018 Chang et al.  
 2018/0265288 A1 9/2018 Huber et al.  
 2019/0041302 A1 2/2019 Hunt et al.

(71) Applicant: **Gen-Probe Incorporated**, San Diego, CA (US)

FOREIGN PATENT DOCUMENTS

(72) Inventors: **Ayra Baker**, Escondido, CA (US);  
**David H. Combs**, San Diego, CA (US)

EP 3441143 A1 2/2019  
 WO 0240870 A1 5/2002  
 WO 2006075201 A1 7/2006  
 WO 2017184242 A2 10/2017  
 WO 2018017771 A1 1/2018  
 WO 2018206849 A1 11/2018  
 WO 2019018152 A2 1/2019

(73) Assignee: **GEN-PROBE INCORPORATED**, San Diego, CA (US)

(\*\*) Term: **15 Years**

(21) Appl. No.: **29/685,733**

OTHER PUBLICATIONS

(22) Filed: **Mar. 29, 2019**

Clamp, Triple, Pipette, Blue. Online, published date unknown.  
 Retrived on Jan. 22, 2021 from URL: <https://www.zoro.com/heathrow-scientific-clamp-triple-pipette-blue-hs20162a/i/G4099243/>.\*

(51) **LOC (13) Cl.** ..... **24-02**

(52) **U.S. Cl.**  
USPC ..... **D24/222**

(58) **Field of Classification Search**  
 USPC ..... D24/216, 222–226, 231, 232; D8/373  
 CPC ..... B65D 25/108; B01L 9/543; B01L 3/0217;  
 B01L 3/0279; B01L 3/0244; B01L 9/00;  
 B05B 11/048  
 See application file for complete search history.

\* cited by examiner

*Primary Examiner* — Susan Bennett Hattan  
*Assistant Examiner* — Omeed Agilee  
 (74) *Attorney, Agent, or Firm* — Rothwell, Figg, Ernst & Manbeck, P.C.; Charles B. Cappellari

(56) **References Cited**

U.S. PATENT DOCUMENTS

D194,803 S \* 3/1963 Angel ..... D8/355  
 D235,486 S \* 6/1975 Van der bergh ..... D24/128  
 D249,956 S \* 10/1978 Potts ..... D24/232  
 4,527,437 A \* 7/1985 Wells ..... B01L 3/0213  
 D24/222  
 D640,125 S \* 6/2011 Rosenkranz ..... D8/373  
 D658,306 S \* 4/2012 Gevaert ..... D24/216  
 D718,871 S \* 12/2014 Galbraith ..... D24/224  
 D720,466 S \* 12/2014 Edding ..... D24/216  
 8,992,833 B2 3/2015 Blecka et al.  
 9,285,262 B2 3/2016 Kneubuehl et al.  
 D771,476 S \* 11/2016 Prince ..... D8/373  
 9,897,621 B2 2/2018 Andersson et al.  
 D882,820 S \* 4/2020 Oghabian ..... D24/232  
 2005/0249642 A1 11/2005 Okun et al.  
 2015/0147820 A1 5/2015 Fritchie et al.

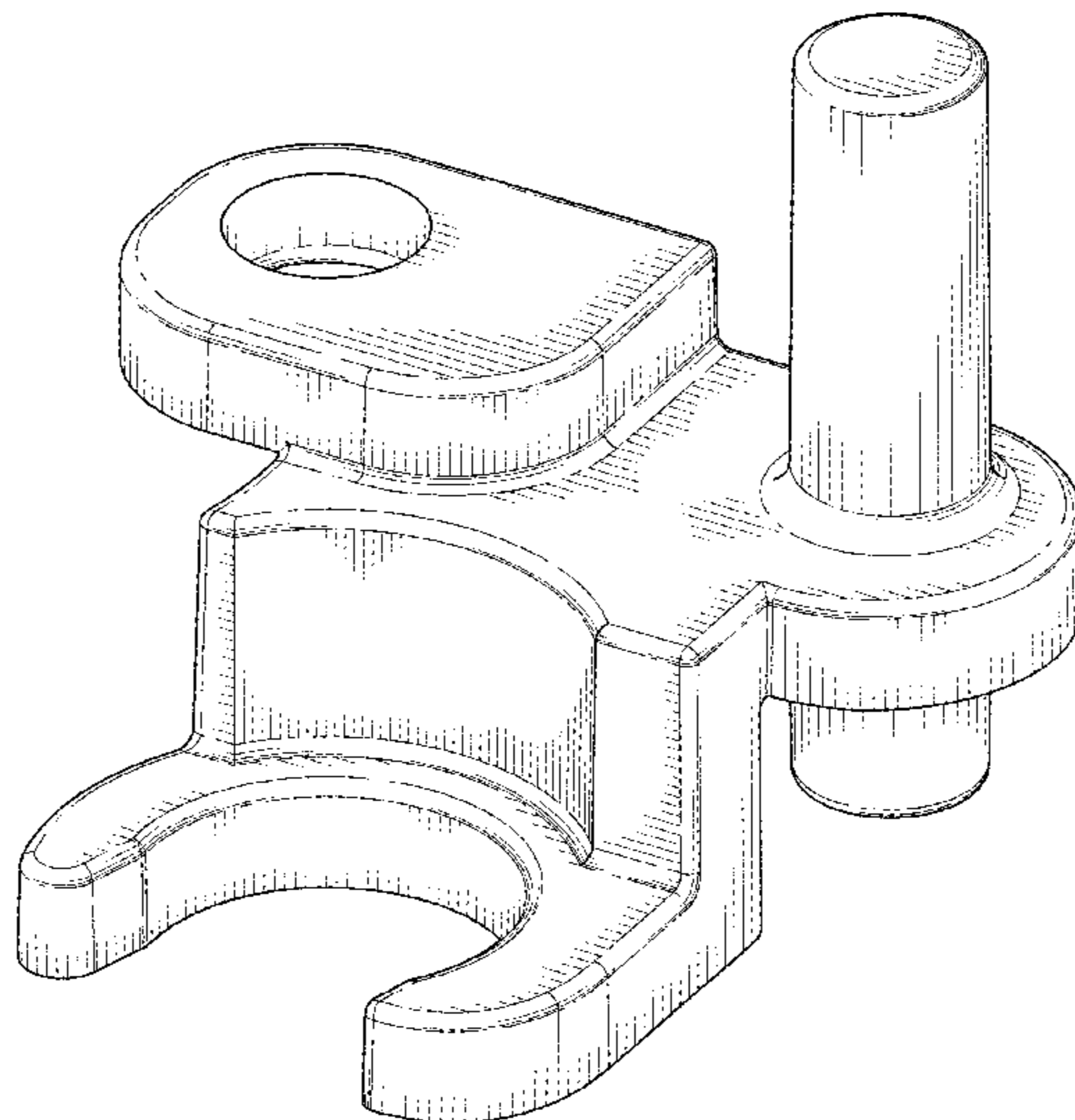
(57) **CLAIM**

The ornamental design for a pipette tip holder chain link, as shown and described.

**DESCRIPTION**

FIG. 1 shows a top perspective view of a pipette tip holder chain link.  
 FIG. 2 shows a front elevation view thereof.  
 FIG. 3 shows a rear elevation view thereof.  
 FIG. 4 shows a left-hand side elevation view thereof.  
 FIG. 5 shows a right-hand side elevation view thereof.  
 FIG. 6 shows a top plan view thereof; and,  
 FIG. 7 shows a bottom plan view thereof.

**1 Claim, 4 Drawing Sheets**



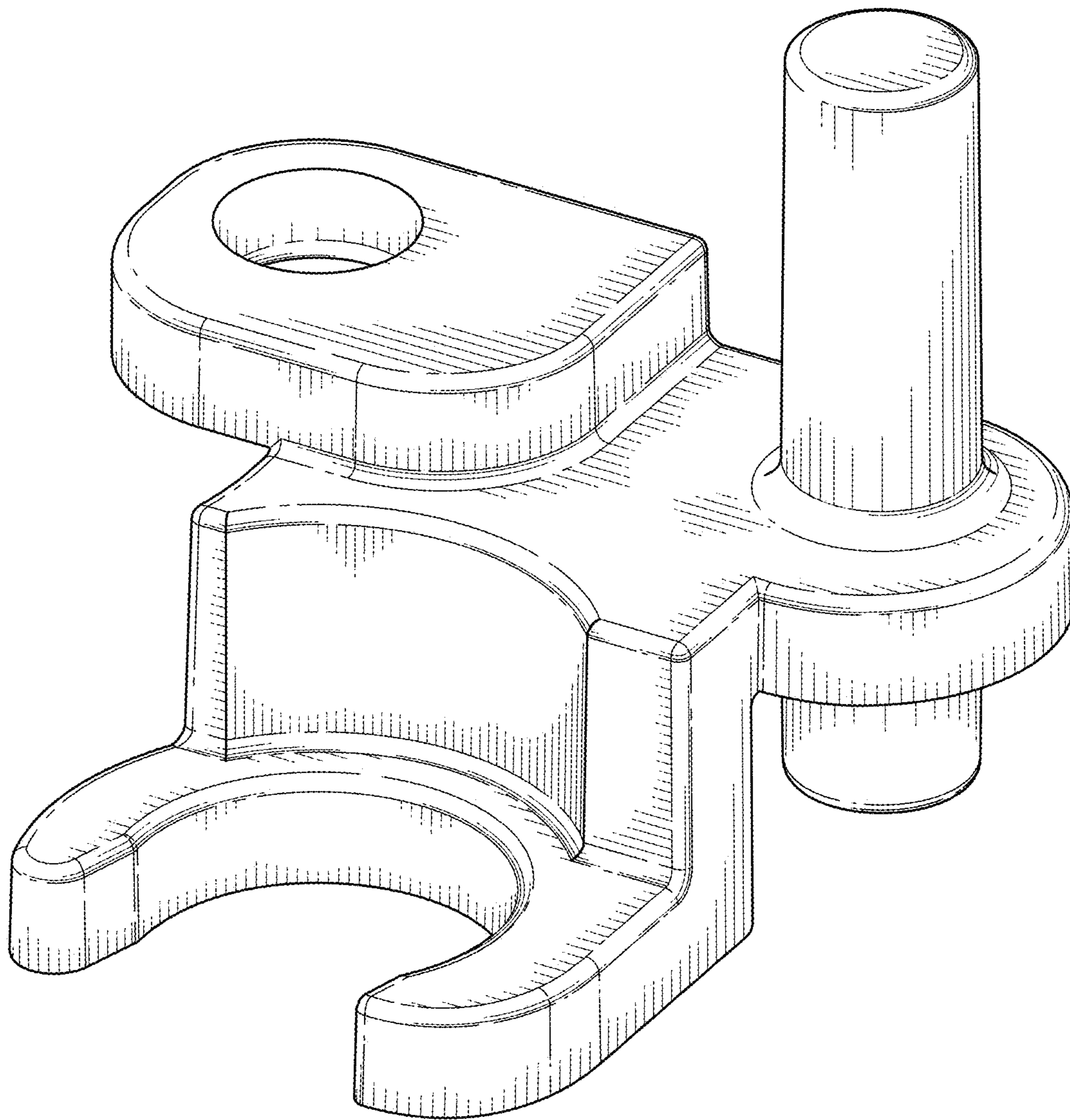


FIG. 1

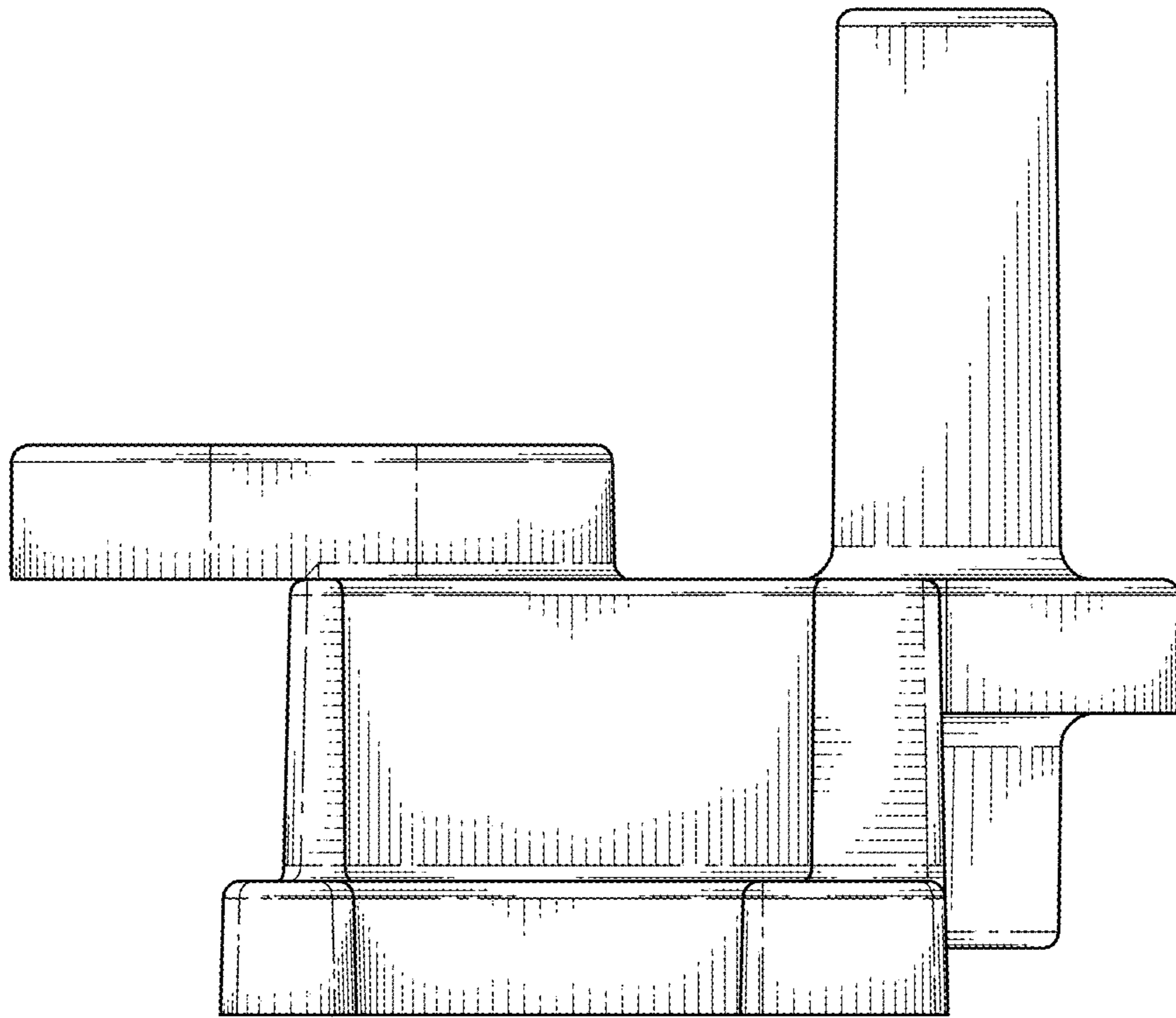


FIG. 2

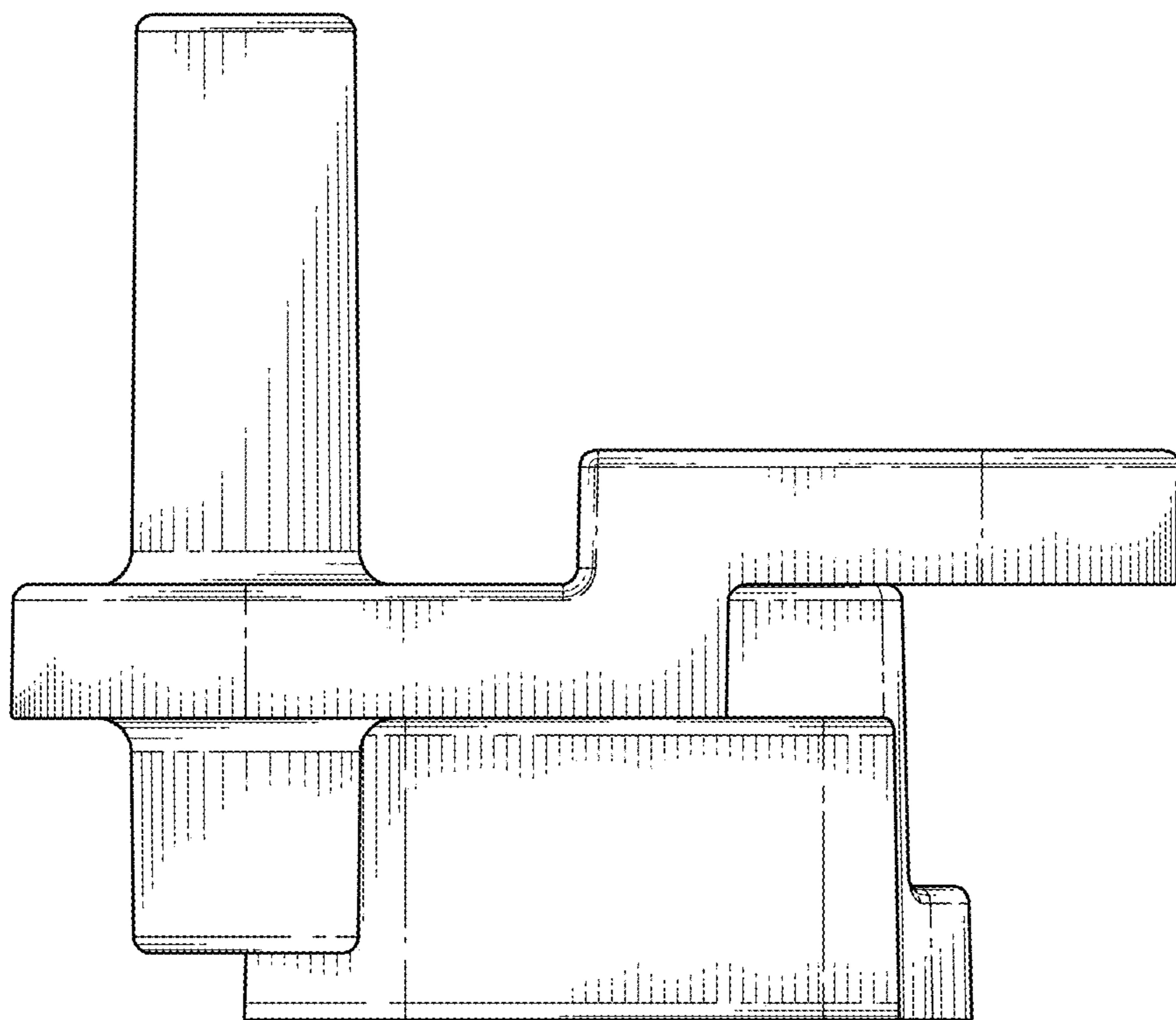


FIG. 3

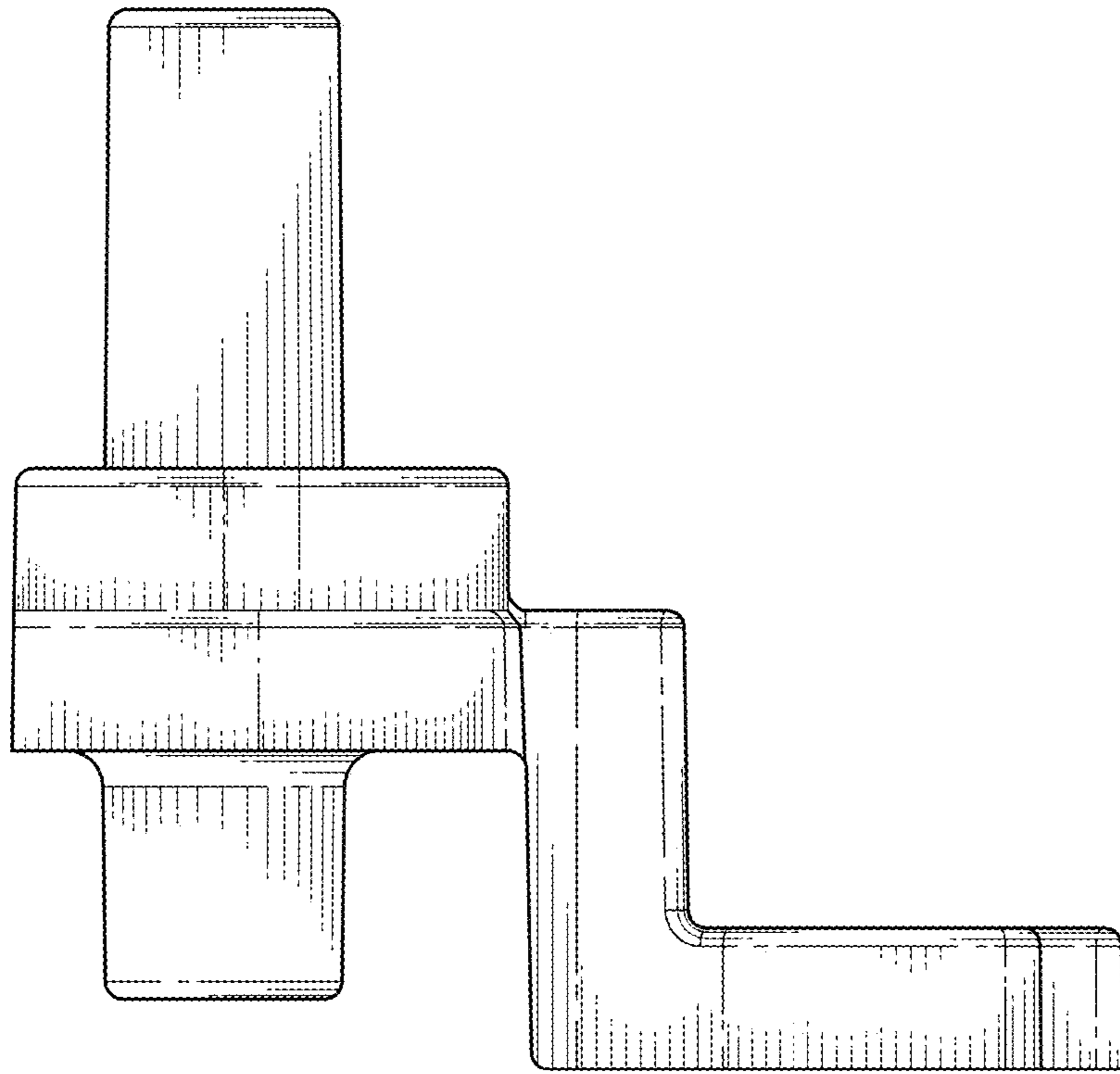


FIG. 4

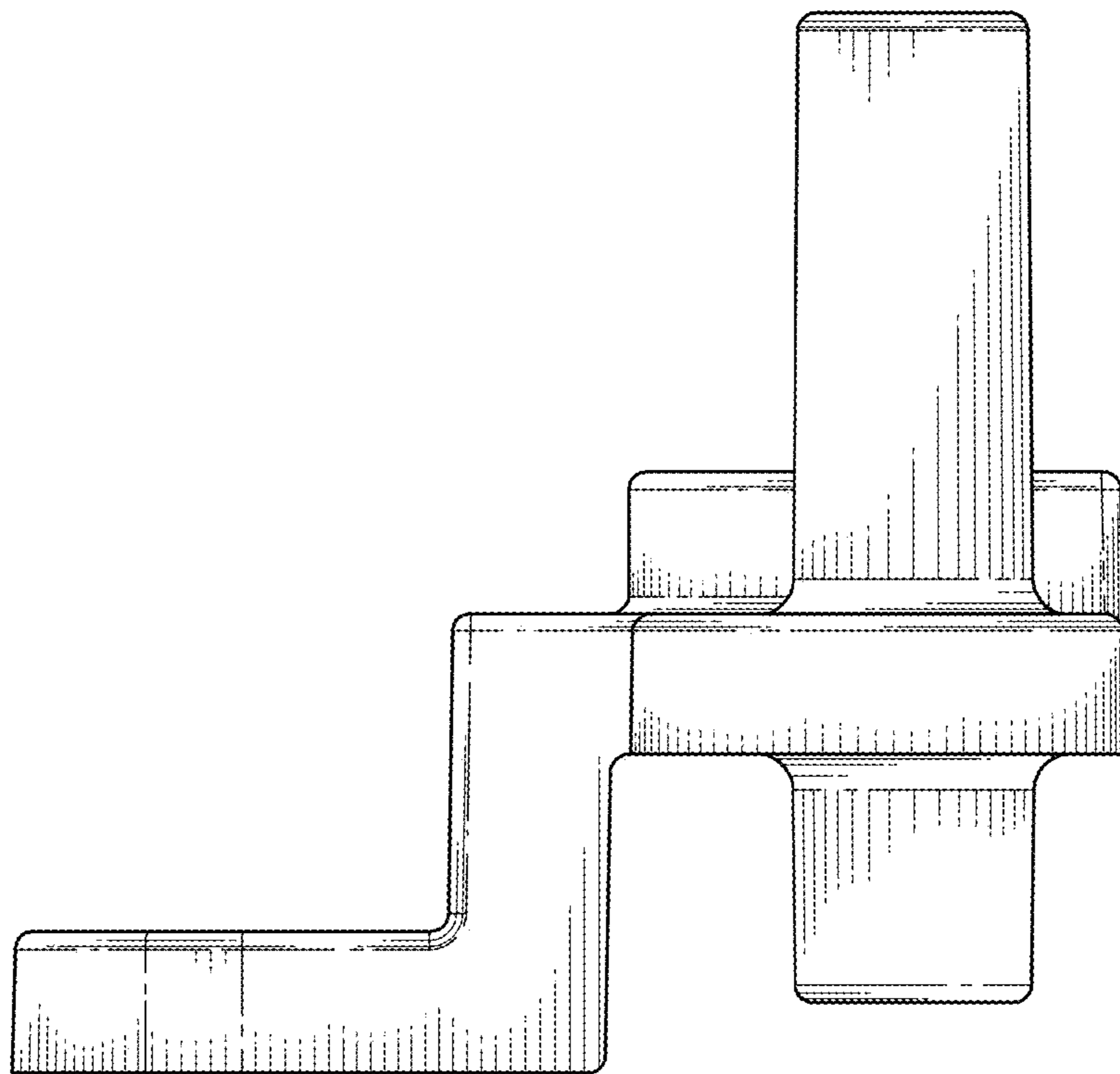


FIG. 5

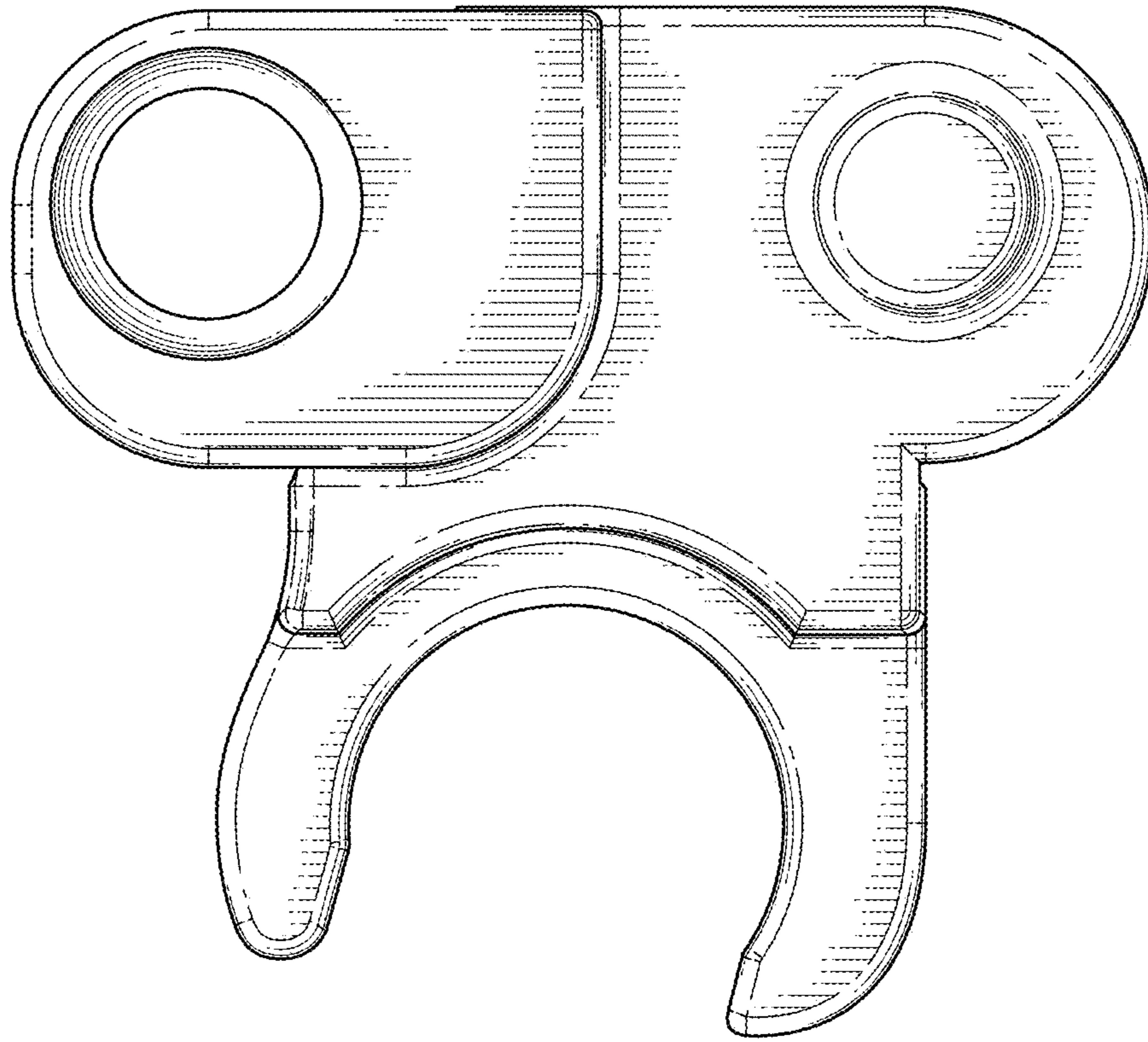


FIG. 6

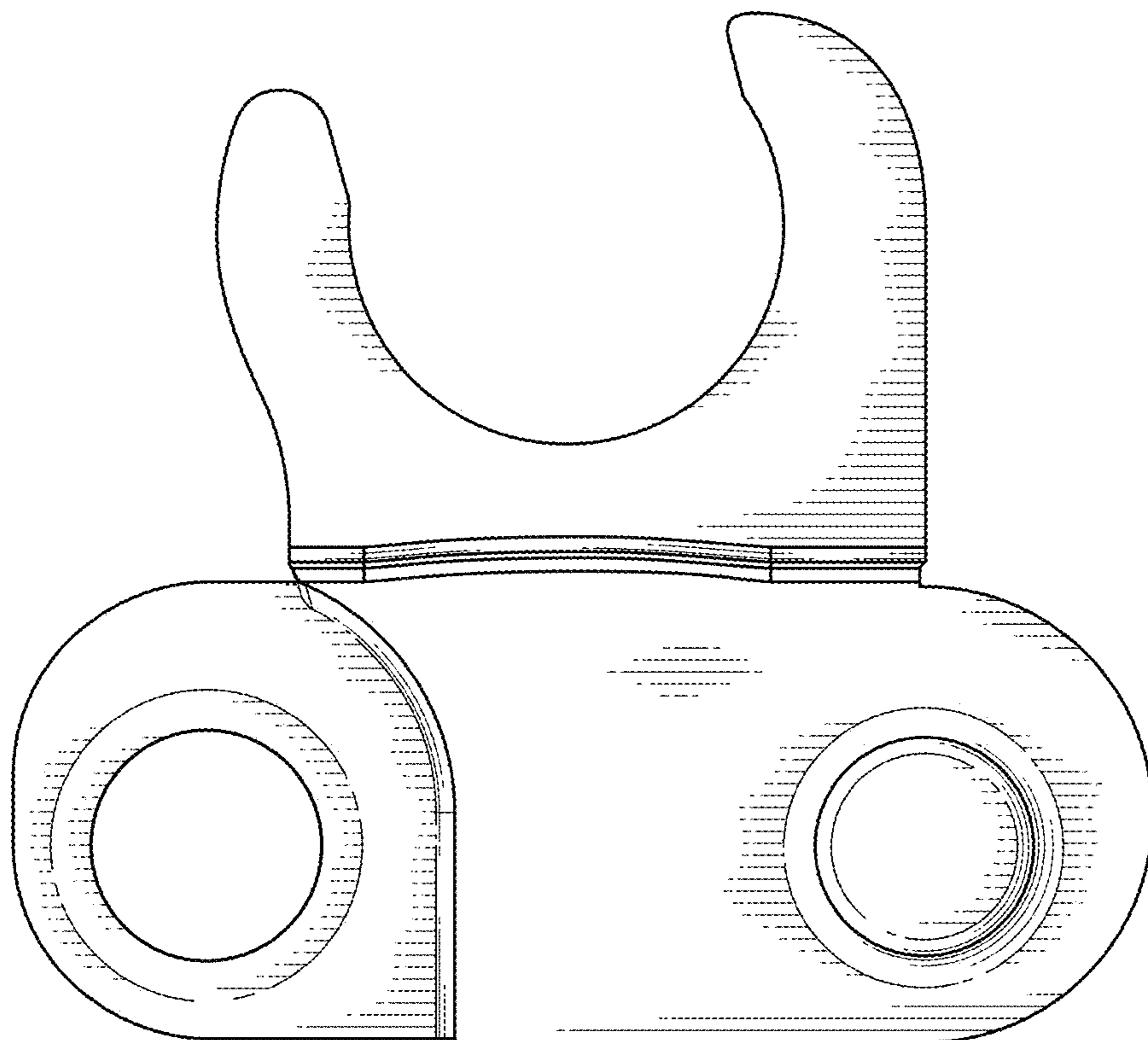


FIG. 7