



US00D921214S

(12) **United States Design Patent**
Wu

(10) **Patent No.:** **US D921,214 S**
(45) **Date of Patent:** **** Jun. 1, 2021**

- (54) **NECK MASSAGER**
- (71) Applicant: **Shenzhen GooDrone Intelligent Technology Co., Ltd**, Shenzhen (CN)
- (72) Inventor: **Yong Wu**, Guangdong (CN)
- (73) Assignee: **Shenzhen GooDrone Intelligent Technology Co., Ltd**, Shenzhen (CN)
- (**) Term: **15 Years**
- (21) Appl. No.: **29/720,330**
- (22) Filed: **Jan. 12, 2020**
- (30) **Foreign Application Priority Data**
Dec. 24, 2019 (CN) 201930724901.9
- (51) **LOC (13) Cl.** **28-03**
- (52) **U.S. Cl.**
USPC **D24/215**
- (58) **Field of Classification Search**
USPC D24/188-190, 200, 211, 213, 214, 215;
D29/102, 105, 110
CPC A61H 2205/04; A61H 2201/1609; A61H 2205/062; A61H 2201/1614; A61H 7/007
See application file for complete search history.

- (56) **References Cited**
U.S. PATENT DOCUMENTS
D337,826 S * 7/1993 Iverson D24/206
D341,893 S * 11/1993 Tauber D24/191
D389,584 S * 1/1998 Leventhal D24/200
D517,217 S * 3/2006 Zou D24/215
D609,818 S * 2/2010 Tsang D24/215
D649,655 S * 11/2011 Petersen D24/215
D674,501 S * 1/2013 Petersen D24/215
D693,016 S * 11/2013 Ma D24/215
D769,453 S * 10/2016 Ma D24/215
D816,858 S * 5/2018 Gan D24/215
D817,508 S * 5/2018 Gan D24/215
D818,596 S * 5/2018 Zheng D24/200

- D851,272 S * 6/2019 Huang D24/215
- D852,974 S * 7/2019 Lee D24/215
- D853,577 S * 7/2019 Li D24/215
- D887,019 S * 6/2020 Wang D24/215
- D888,263 S * 6/2020 Du D24/215
- D895,830 S * 9/2020 Nakamura D24/215
- D901,033 S * 11/2020 Liang 24/211

(Continued)

OTHER PUBLICATIONS

Amazon, "ANLAWIN Electric Neck Massager", Jan. 15, 2021. https://www.amazon.com/ANLAWIN-Electric-Massager-Intensity-Intelligent/dp/B08P3NZ9GZ/ref=sr_1_5?dchild=1&keywords=apex+neck+massager&qid=1616684172&sr=8-5. Shown on p. 1. (Year: 2021).*

(Continued)

Primary Examiner — Gino Colan
Assistant Examiner — Michael A Maharajh
(74) *Attorney, Agent, or Firm* — Andrew C. Cheng

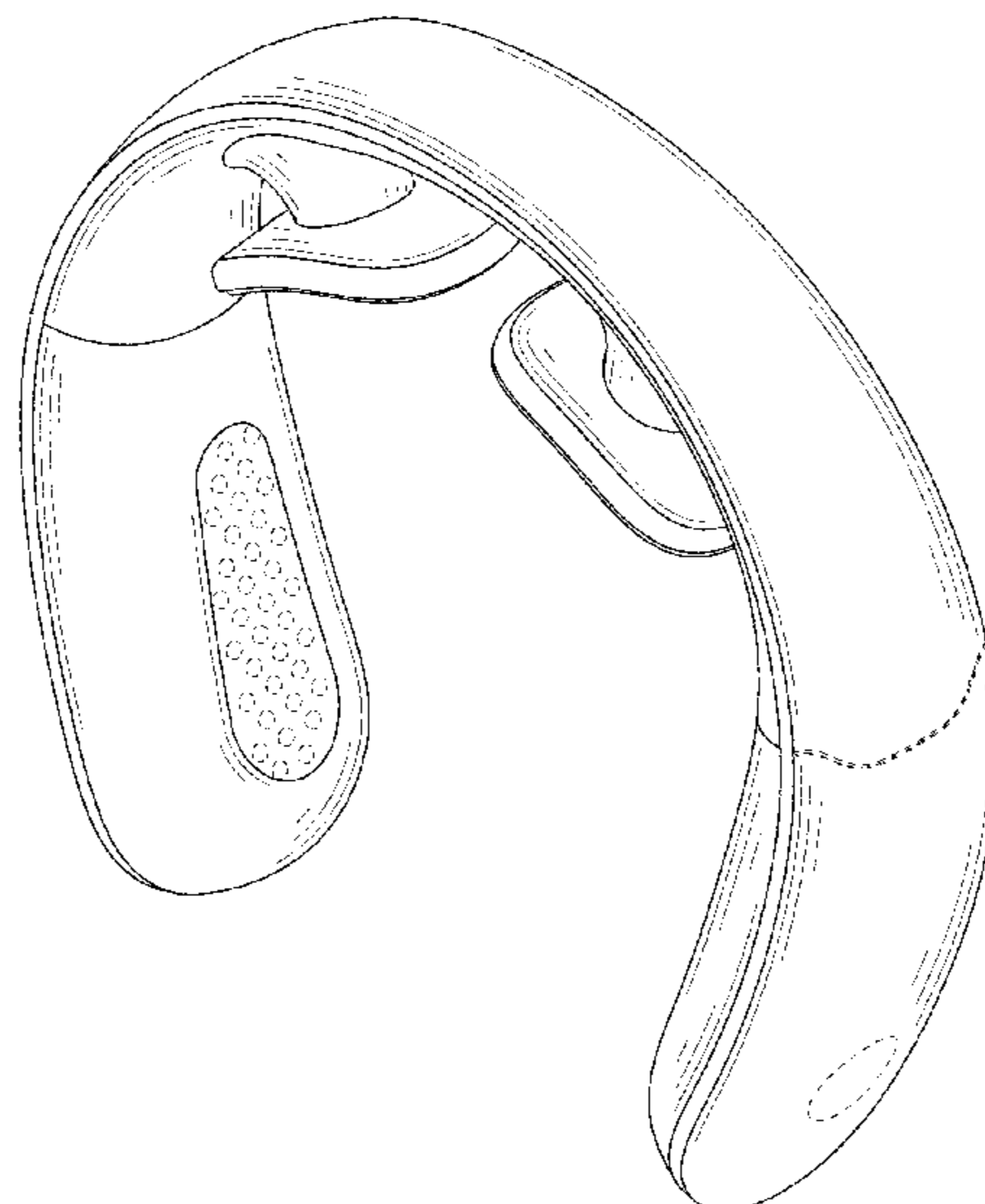
(57) **CLAIM**

The ornamental design for a neck massager, as shown and described.

DESCRIPTION

FIG. 1 is a perspective view of the neck massager showing my new design.
FIG. 2 is another perspective view of the neck massager of FIG. 1.
FIG. 3 is a front view of the neck massager of FIG. 1.
FIG. 4 is a rear view of the neck massager of FIG. 1.
FIG. 5 is a left side view of the neck massager of FIG. 1.
FIG. 6 is a right side view of the neck massager of FIG. 1.
FIG. 7 is a top view of the neck massager of FIG. 1; and, FIG. 8 is a bottom view of the neck massager of FIG. 1.
The broken lines shown in the figures are for the purpose of illustrating portions of the neck massager which form no part of the claimed design.

1 Claim, 6 Drawing Sheets



(56)

References Cited

U.S. PATENT DOCUMENTS

D903,139 S * 11/2020 Liang D24/215
D905,266 S * 12/2020 Liu D24/215
D911,542 S * 2/2021 Zhang D24/215
2007/0093685 A1* 4/2007 Bighetty A61F 9/04
600/26
2020/0237612 A1* 7/2020 Liu A61H 39/002
2020/0238080 A1* 7/2020 Liu A61H 1/00
2021/0022950 A1* 1/2021 Zheng A61H 7/007

OTHER PUBLICATIONS

Alibaba, "Apex Relaxation Massage Cervical", Mar. 25, 2021.
https://goodrone.en.alibaba.com/product/62569327780-818225492/Apex_Relaxation_Massage_Cervical_Vertebral_Portable_Smart_Relief_Electric_Pulse_Massager_For_Car.html?spm=a2700.shop_plgr.41413.11.a3201406Paa1y9. Shown on p. 1. (Year: 2021).*

* cited by examiner

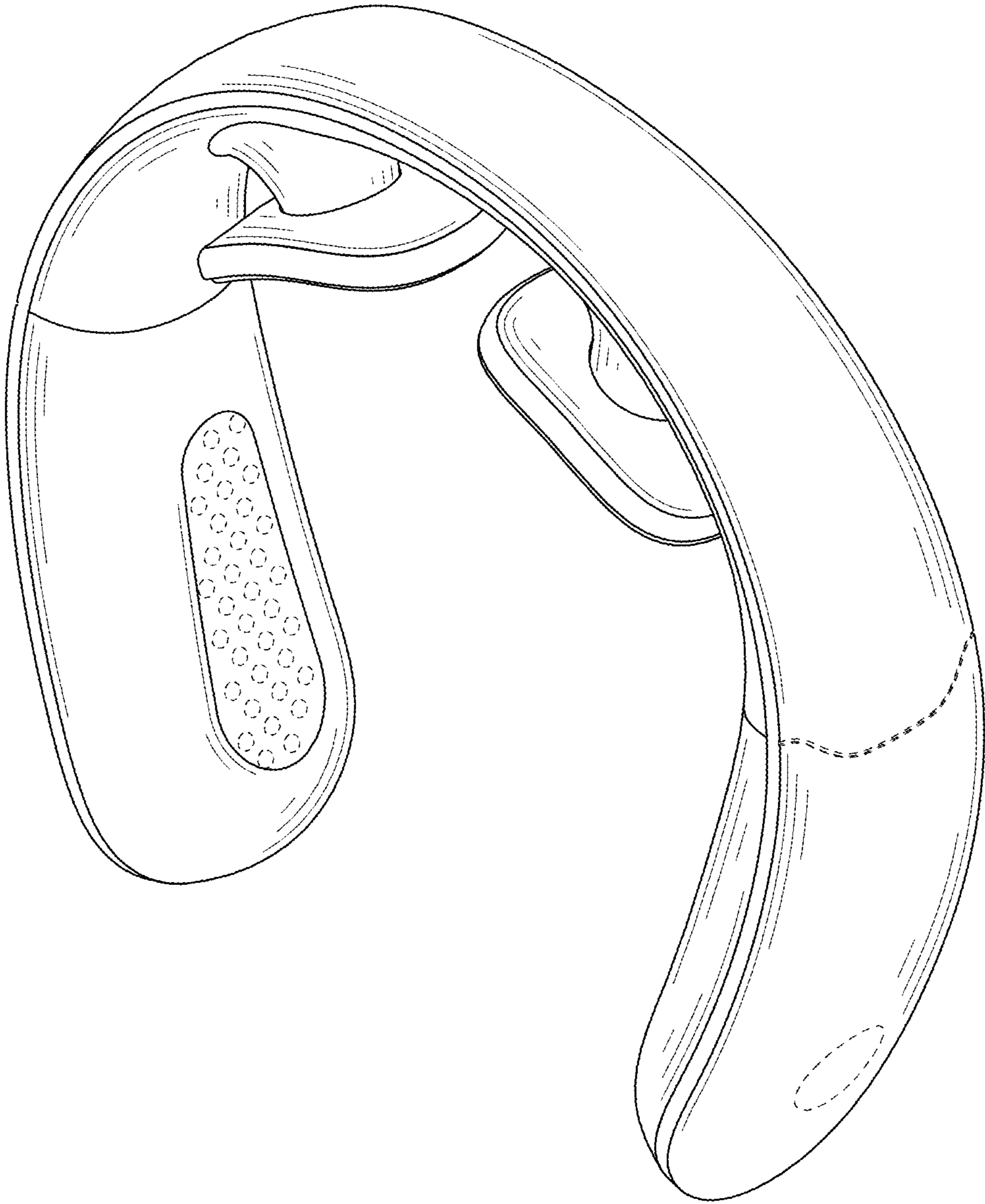


FIG. 1

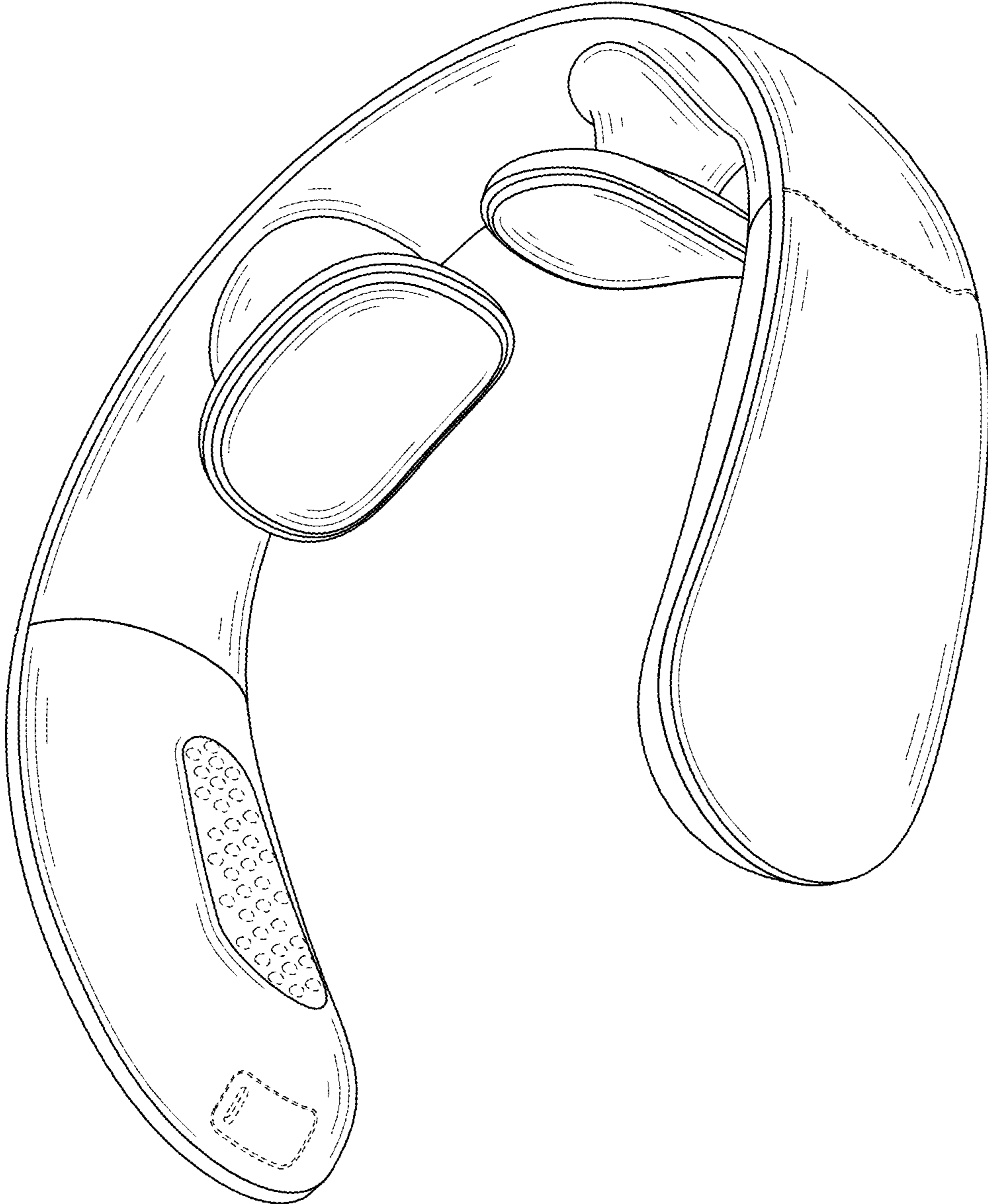


FIG. 2

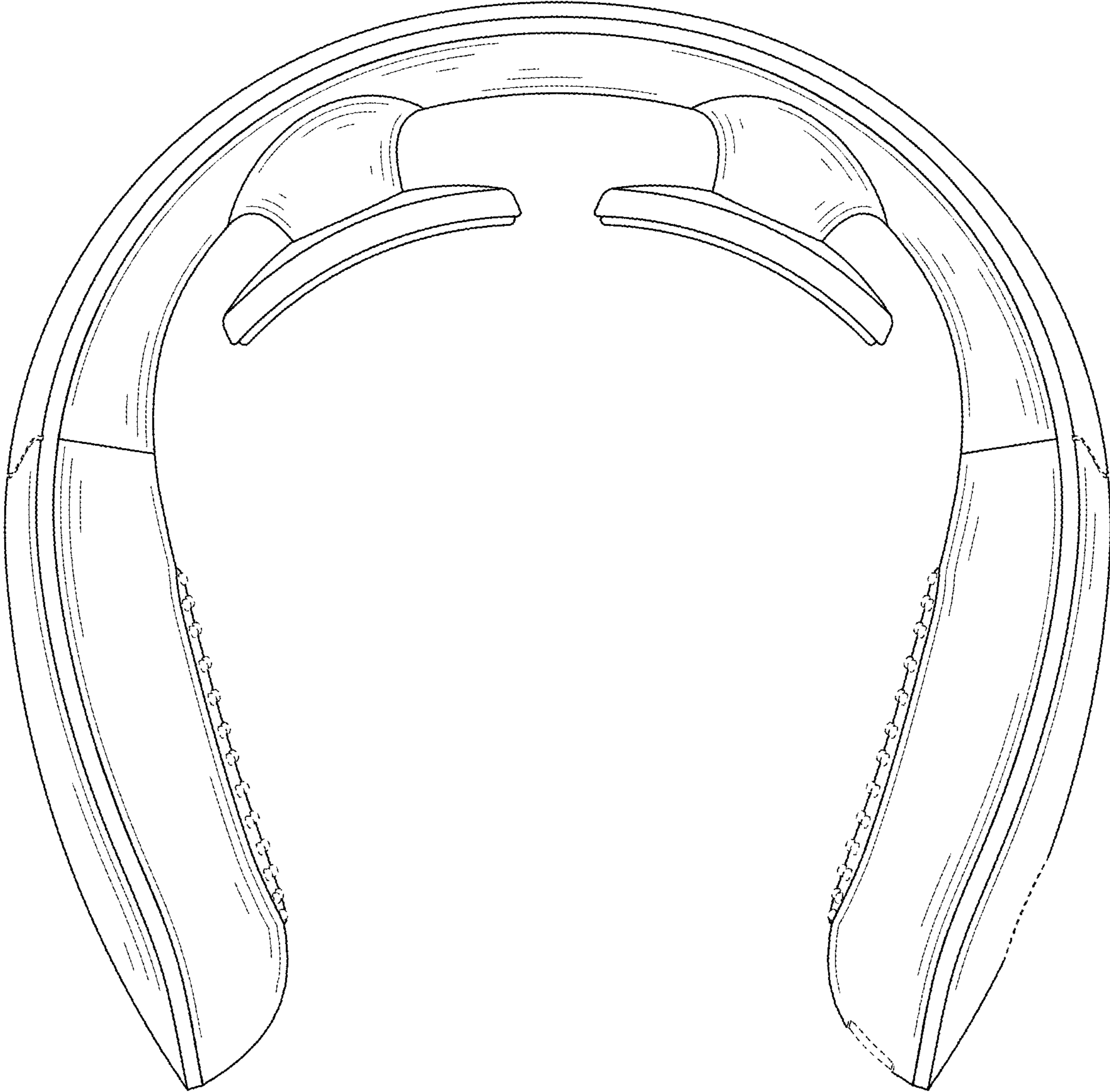


FIG. 3

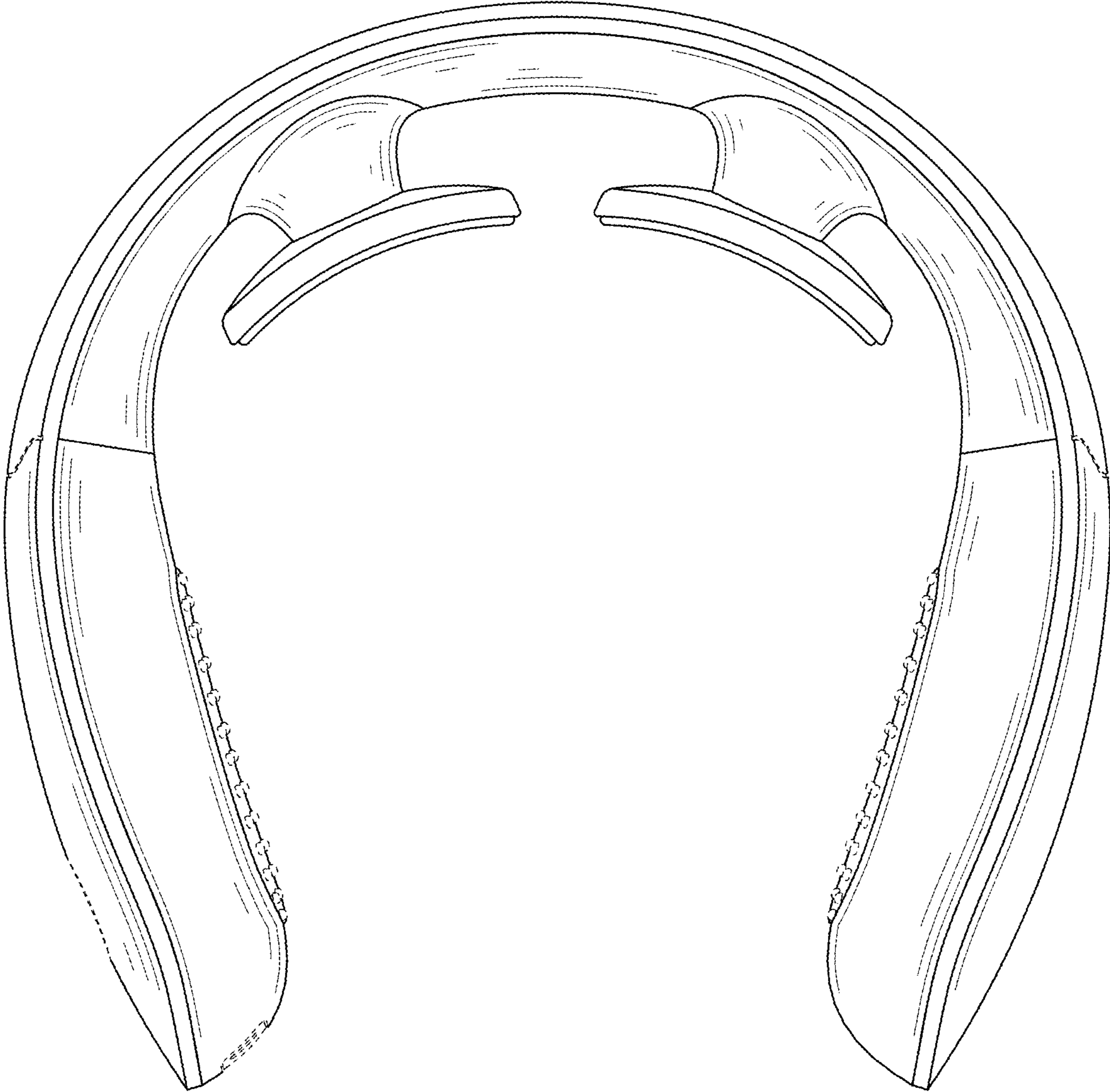


FIG. 4

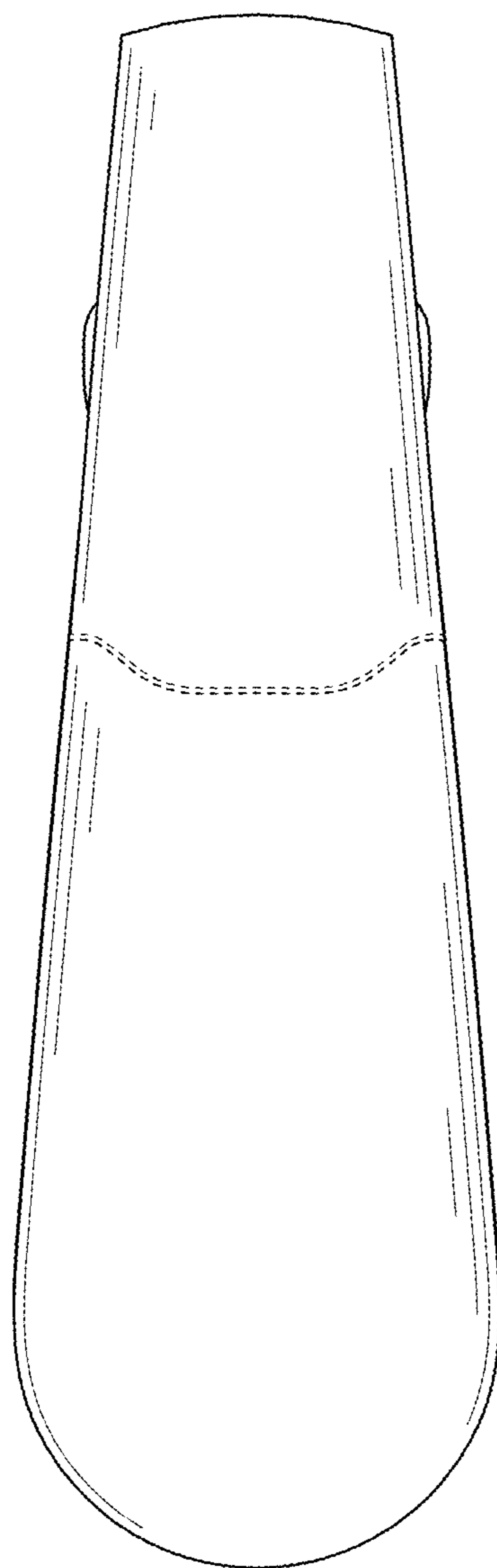


FIG. 5

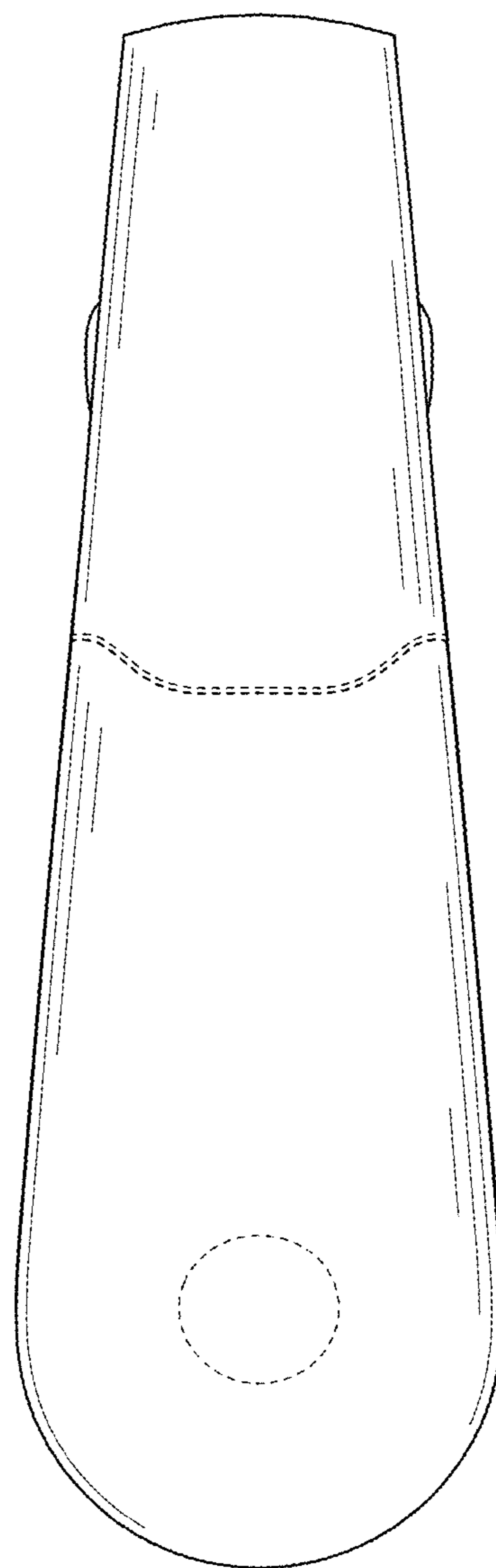


FIG. 6

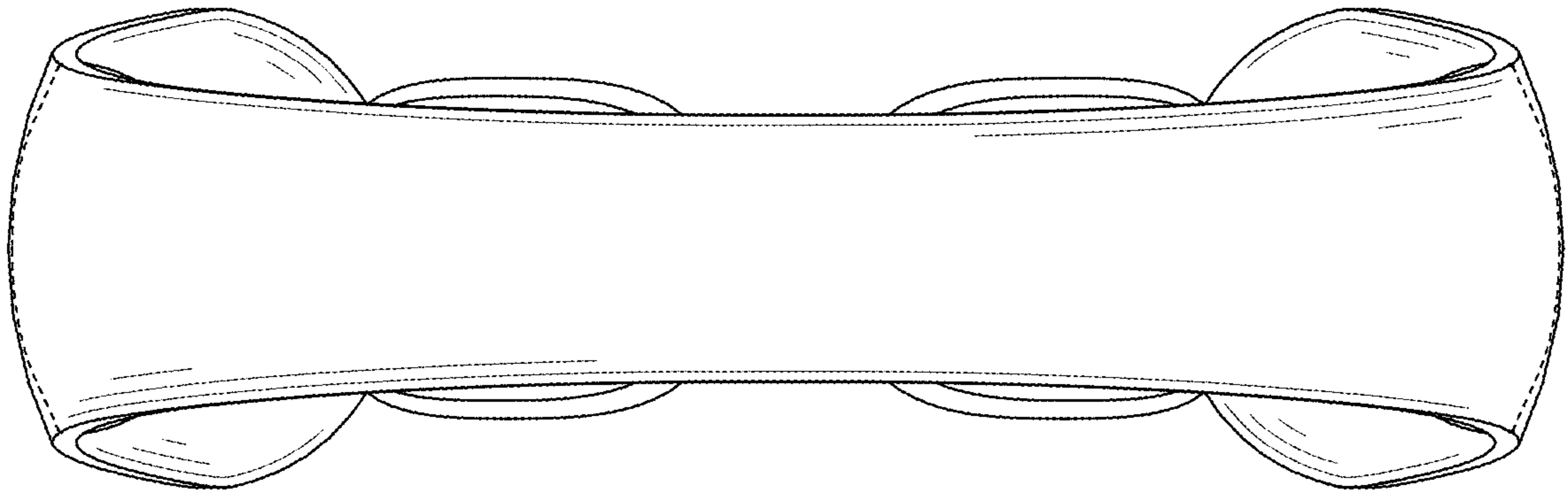


FIG. 7

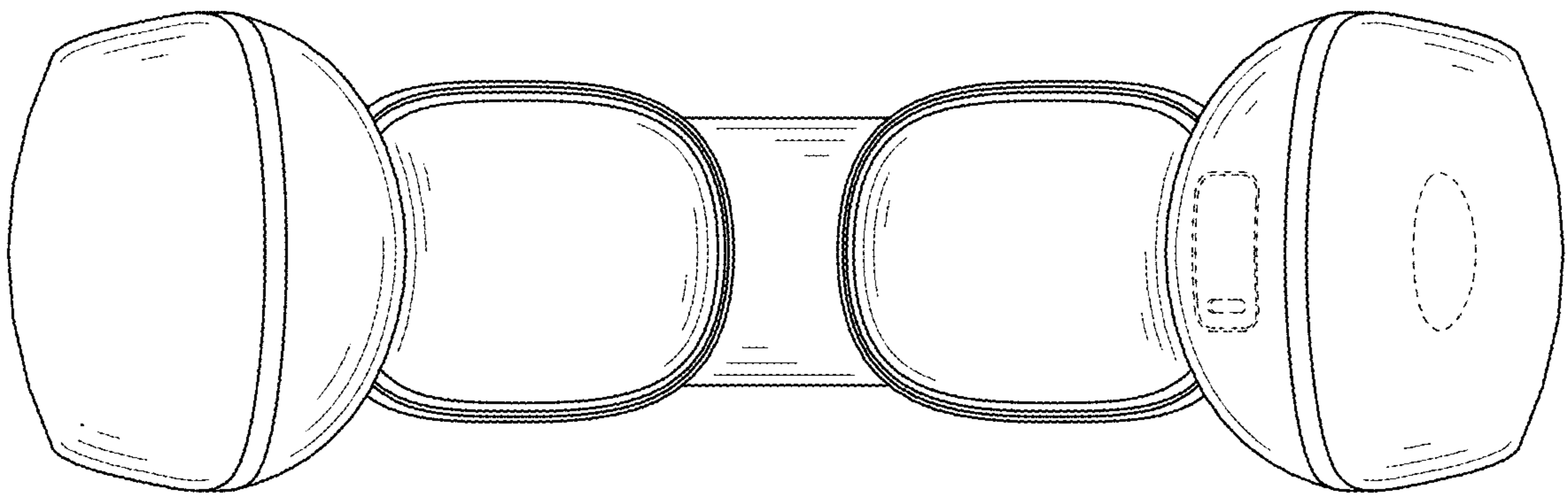


FIG. 8