



US00D921213S

(12) **United States Design Patent**
Delgado

(10) **Patent No.:** **US D921,213 S**

(45) **Date of Patent:** **** Jun. 1, 2021**

- (54) **MULTI-ZONAL ROLLER**
- (71) Applicant: **Fitness Anywhere LLC**, San Francisco, CA (US)
- (72) Inventor: **Mauricio Hernan Delgado**, San Anselmo, CA (US)
- (73) Assignee: **Fitness Anywhere LLC**, San Francisco, CA (US)
- (**) Term: **15 Years**
- (21) Appl. No.: **29/708,165**
- (22) Filed: **Oct. 3, 2019**
- (51) **LOC (13) Cl.** **28-03**
- (52) **U.S. Cl.**
USPC **D24/211**
- (58) **Field of Classification Search**
USPC D24/133, 186, 211, 212, 213, 214, 215;
D12/178; D23/266; D9/418
CPC A61H 2015/0014; A61H 19/00; A63B
21/0724; A61B 10/0058; A61B 5/4375;
A61B 5/4393; A61F 5/41
See application file for complete search history.

- D612,917 S * 3/2010 Eilertson D23/266
- D660,450 S * 5/2012 Johnson D24/215
- D670,817 S * 11/2012 Narevsky D24/211
- D693,934 S * 11/2013 Lin D24/215
- D700,349 S * 2/2014 Tai D24/215
- D713,050 S * 9/2014 Kao A61H 15/00
D24/211
- D720,438 S * 12/2014 Totten D23/266
- D788,313 S * 5/2017 Lawrie D24/211
- 9,668,933 B1 * 6/2017 Johnson A61H 15/00
- D822,772 S * 7/2018 Jorgenson D21/662
- D842,486 S * 3/2019 Kaoru D24/211
- D843,001 S * 3/2019 Davis D24/211
- D845,498 S * 4/2019 Johnson D24/211
- D863,579 S * 10/2019 Wang D24/211
- D876,657 S * 2/2020 Lin D24/211
- D886,251 S * 6/2020 Mezzalira D23/266
- D887,094 S * 6/2020 Ruan D30/160
- 10,695,258 B1 * 6/2020 Johnson A61H 15/00

(Continued)

OTHER PUBLICATIONS

TRXTraining, "TRX Rocker", Feb. 13, 2020. <https://store.trxtraining.com/products/trx-rocker>. Shown on p. 1. (Year: 2020).*

Primary Examiner — Cynthia Ramirez
Assistant Examiner — Michael A Maharajh
(74) *Attorney, Agent, or Firm* — Duane Morris LLP

(56) **References Cited**

U.S. PATENT DOCUMENTS

- D323,280 S * 1/1992 Chen 74/551.9
- D345,197 S * 3/1994 Potter D23/266
- D352,443 S * 11/1994 Chen D8/303
- D375,599 S * 11/1996 Hirano D23/266
- D375,600 S * 11/1996 Hirano D23/266
- D445,170 S * 7/2001 Speicher D23/266
- D454,386 S * 3/2002 Speicher D23/266
- D574,932 S * 8/2008 Zhuang D23/266
- D598,095 S * 8/2009 Hansen A61M 37/0076
D24/133
- D611,576 S * 3/2010 Tokuno D23/266
- D612,464 S * 3/2010 Weisel D23/266

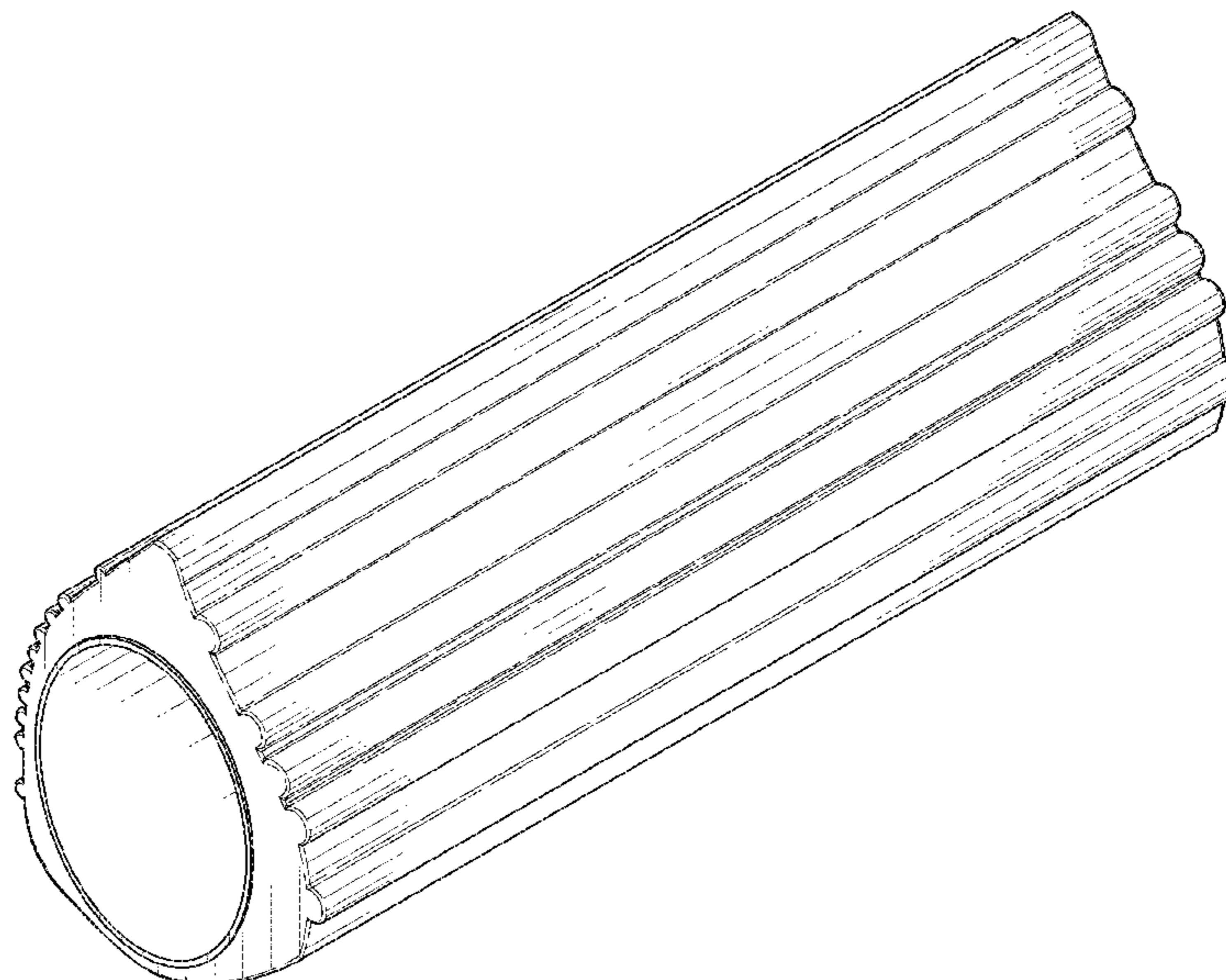
(57) **CLAIM**

The ornamental design for a multi-zonal roller, as shown and described.

DESCRIPTION

FIG. 1 is an isometric view of the multi-zonal roller, showing my design;
FIG. 2 is a side view thereof, with the other side being a mirror image;
FIG. 3 is a front view thereof; and,
FIG. 4 is a back view thereof.

1 Claim, 3 Drawing Sheets



(56)

References Cited

U.S. PATENT DOCUMENTS

D902,421 S * 11/2020 Kim D24/211
2009/0217879 A1 * 9/2009 Weisel A01J 5/044
119/14.01
2012/0035029 A1 * 2/2012 Dye A63B 26/003
482/132
2015/0080774 A1 * 3/2015 Olaya A61H 15/00
601/121
2015/0190304 A1 * 7/2015 Lawrie A61H 15/00
601/118
2016/0279009 A1 * 9/2016 Somjee A61H 1/008
2016/0331628 A1 * 11/2016 Kuo A61H 7/007
2017/0202729 A1 * 7/2017 Lin A61H 15/0092
2017/0216133 A1 * 8/2017 Yih A61H 15/0092
2020/0030181 A1 * 1/2020 Lin A63B 22/20
2020/0276078 A1 * 9/2020 Ploss A61H 15/00
2020/0383788 A1 * 12/2020 Elist A61F 2/26

* cited by examiner

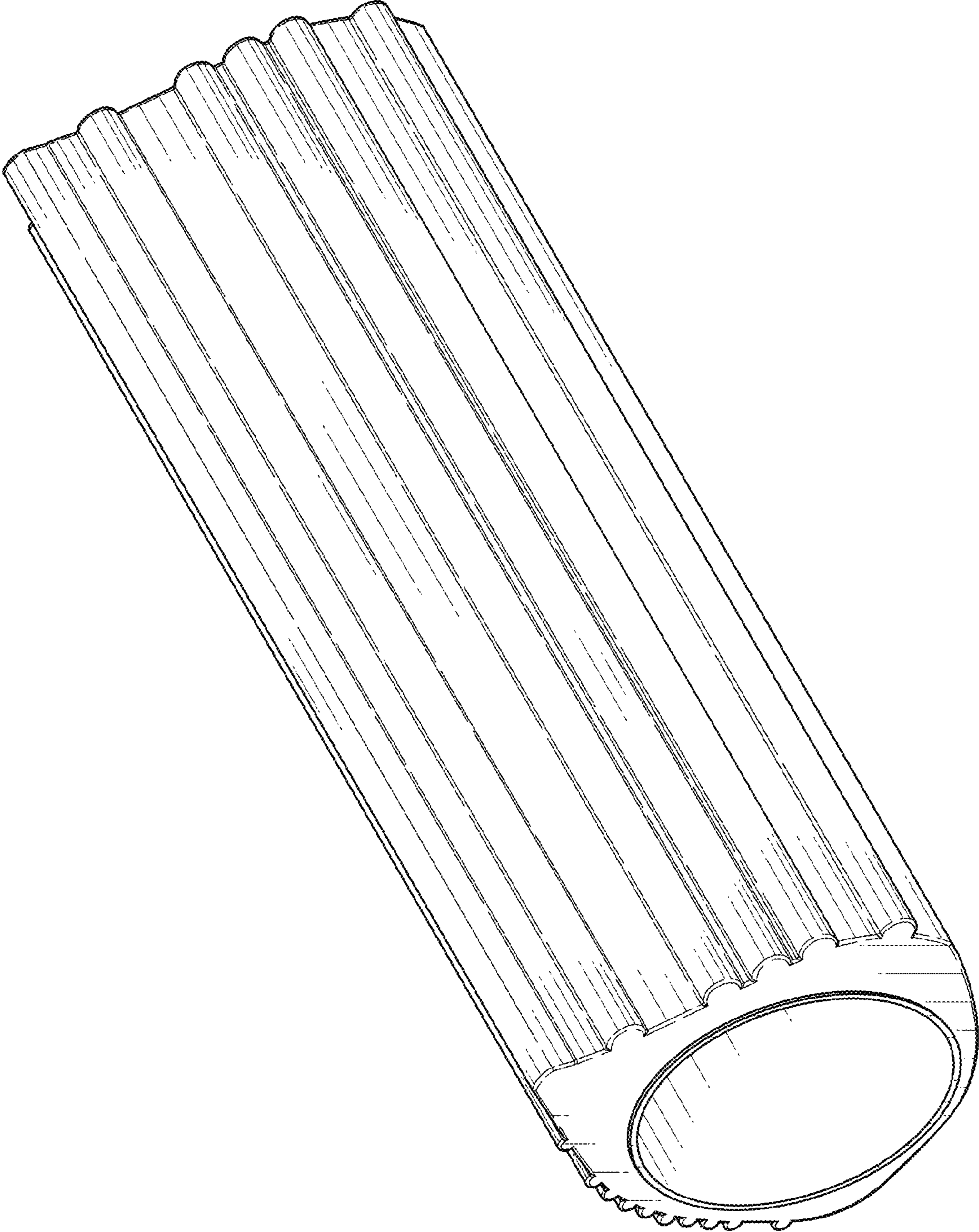


FIG. 1

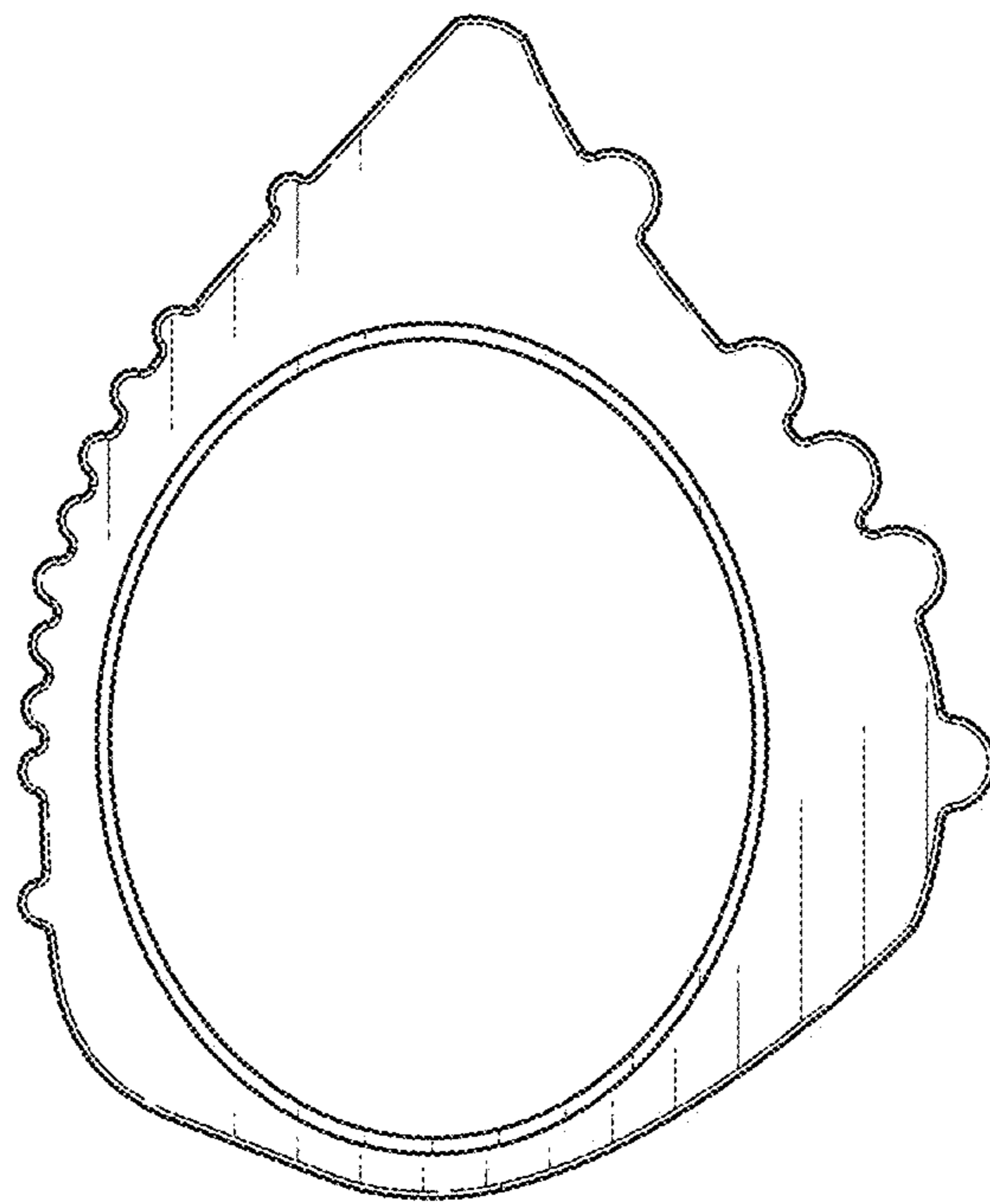


FIG. 2

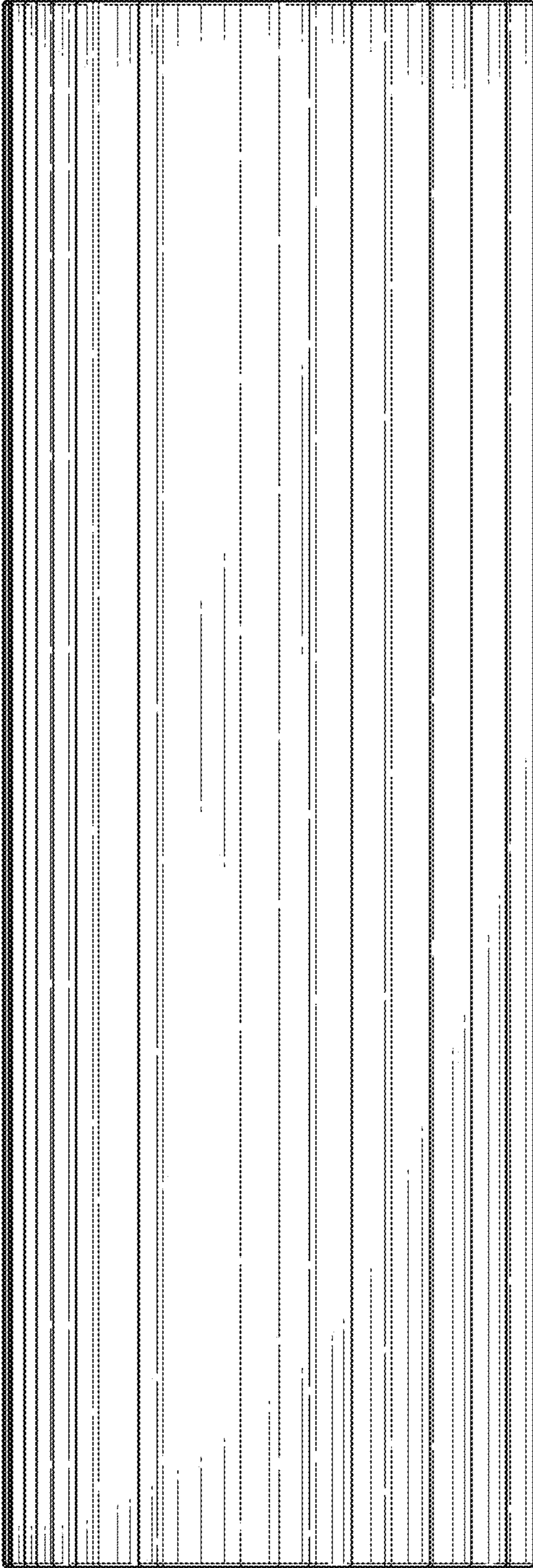


FIG. 3

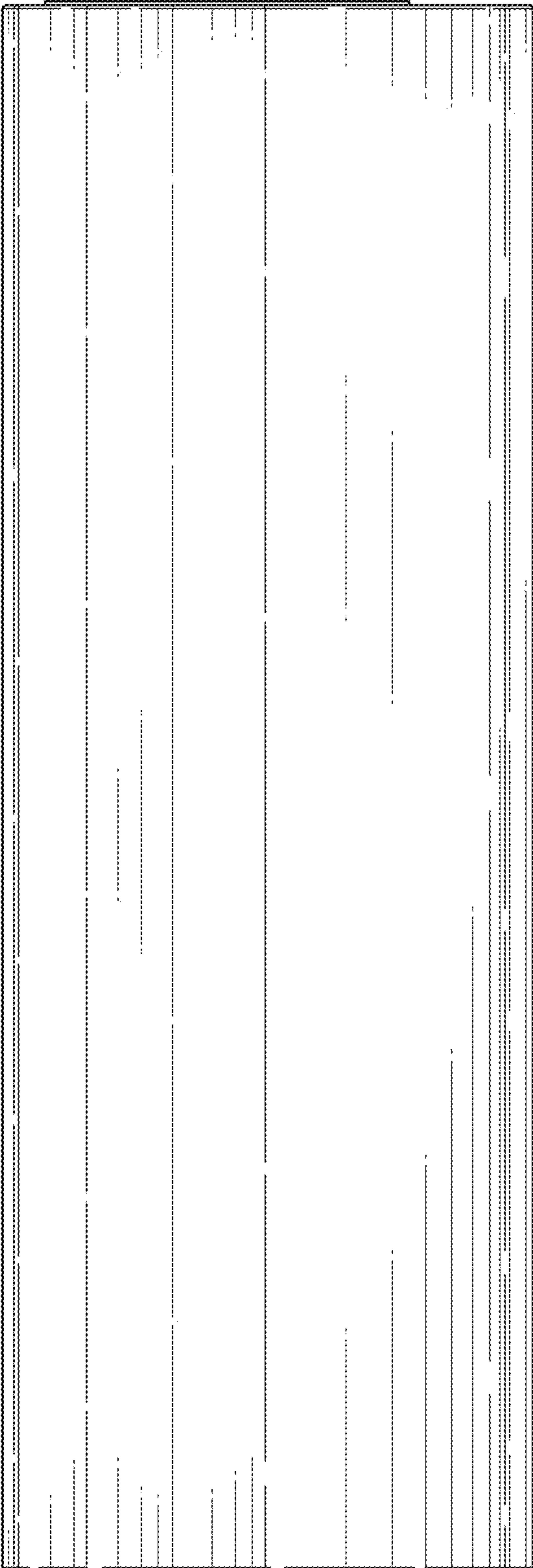


FIG. 4