



US00D921212S

(12) **United States Design Patent** (10) **Patent No.:** **US D921,212 S**  
**Bockenstedt et al.** (45) **Date of Patent:** **\*\* Jun. 1, 2021**

(54) **LIGHT THERAPY DEVICE**

D611,160 S \* 3/2010 Fernie ..... D24/209  
RE45,816 E \* 12/2015 Andre ..... D14/375  
D757,955 S \* 5/2016 Johnson ..... D24/209

(71) Applicant: **Bausch Health Ireland Limited**,  
Dublin (IE)

(Continued)

(72) Inventors: **Craig Bockenstedt**, Bothell, WA (US);  
**Richard Malwitz**, Bothell, WA (US);  
**Adam Weisgerber**, Shoreline, WA  
(US); **Jeffrey Ladwig**, Seattle, WA  
(US); **Aaron Piazza**, Lake Forest Park,  
WA (US); **Michael Carl Beckman**,  
Seattle, WA (US)

**OTHER PUBLICATIONS**

Office Action of the Intellectual Property Office for ROC (Taiwan)  
Patent Application No. 109303744, dated Dec. 10, 2020, (4 pages).

(Continued)

*Primary Examiner* — Anhdao Doan

(73) Assignee: **BAUSCH HEALTH IRELAND LIMITED**, Dublin (IE)

(74) *Attorney, Agent, or Firm* — Finnegan, Henderson,  
Farabow, Garrett & Dunner, LLP

(\*\*) Term: **15 Years**

(57) **CLAIM**

(21) Appl. No.: **29/720,106**

The ornamental design for a light therapy device, as shown  
and described.

(22) Filed: **Jan. 9, 2020**

(51) **LOC (13) Cl.** ..... **28-03**

(52) **U.S. Cl.**  
USPC ..... **D24/209**

**DESCRIPTION**

(58) **Field of Classification Search**  
USPC ..... D24/107, 200, 209, 210, 214, 215, 185,  
D24/186, 231; D26/37-39, 76, 104, 106,  
D26/120; D28/9; D14/307, 336, 371,  
D14/375, 376  
CPC .... A61N 5/062; A61N 5/0614; A61N 5/0616;  
A61N 5/0617; A61N 5/0618; A61N  
5/0624; A61N 5/0627; A61N 5/0625;  
A61N 2005/0643; A61N 2005/0644;  
A61N 2005/0645; A61N 2005/0647;  
A61N 2005/0651; A61N 2005/0652;  
A61N 2005/0654; A61N 2005/0662;  
A61B 2018/00452; A61B 2018/1807

FIG. 1 is a front perspective view of a light therapy device  
showing the new design;  
FIG. 2 is a bottom perspective view thereof;  
FIG. 3 is a front elevation view thereof;  
FIG. 4 is a rear elevation view thereof;  
FIG. 5 is a left side view thereof;  
FIG. 6 is a right side view thereof;  
FIG. 7 is a top plan view thereof;  
FIG. 8 is a bottom plan view thereof; and,  
FIG. 9 is a rear perspective view thereof in a condition of  
use. The broken lines depicting the applicators and cords are  
for environmental purposes and form no part of the claimed  
design.

See application file for complete search history.

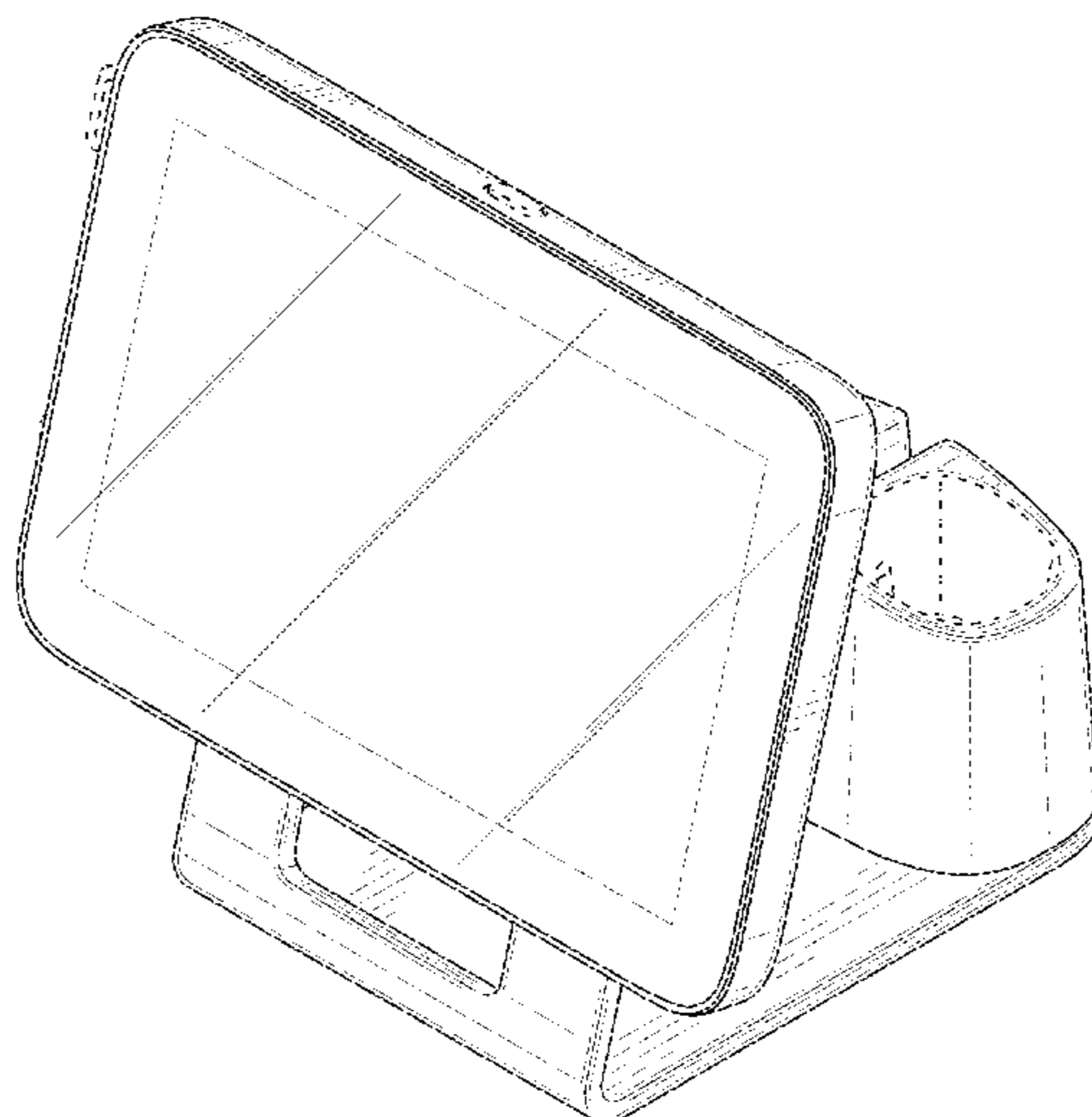
The even-length broken lines shown in the drawings illus-  
trate portions of the light therapy device that form no part of  
the claimed design. The broken lines of uneven length  
illustrate the boundary of the claimed design and form no  
part thereof.

(56) **References Cited**

**U.S. PATENT DOCUMENTS**

D545,973 S \* 7/2007 Powell ..... D24/209  
D599,485 S \* 9/2009 Burrows ..... D24/209

**1 Claim, 9 Drawing Sheets**



(56)

**References Cited**

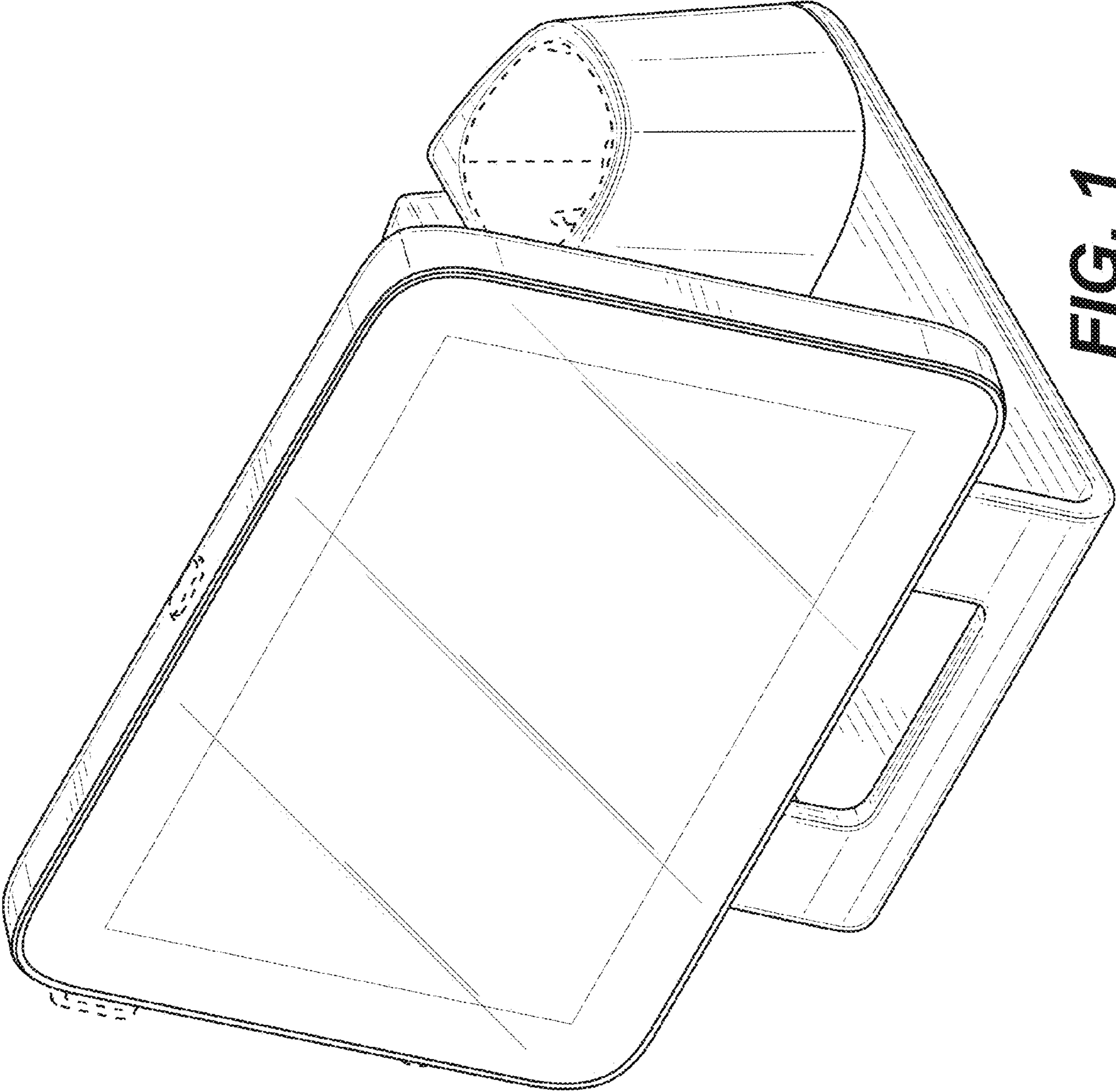
U.S. PATENT DOCUMENTS

D809,141 S \* 1/2018 Adams ..... D24/158  
D816,222 S \* 4/2018 Barak ..... D24/158  
D835,291 S \* 12/2018 Lei ..... D24/209  
D857,220 S \* 8/2019 Chew ..... D24/210  
D861,167 S \* 9/2019 Emery ..... D24/158  
2004/0249423 A1\* 12/2004 Savage ..... A61N 5/0618  
607/88

OTHER PUBLICATIONS

Office Action of the Intellectual Property Office for ROC (Taiwan)  
Patent Application No. 109303745, dated Dec. 10, 2020, (4 pages).  
Office Action of the Intellectual Property Office for ROC (Taiwan)  
Patent Application No. 109303746, dated Dec. 10, 2020, (4 pages).  
Bockenstedt et al., Design U.S. Appl. No. 29/720,107, "Light  
Therapy Device," filed Jan. 9, 2020.  
Bockenstedt et al., Design U.S. Appl. No. 29/720,109, "Light  
Therapy Device," filed Jan. 9, 2020.

\* cited by examiner



**FIG. 1**

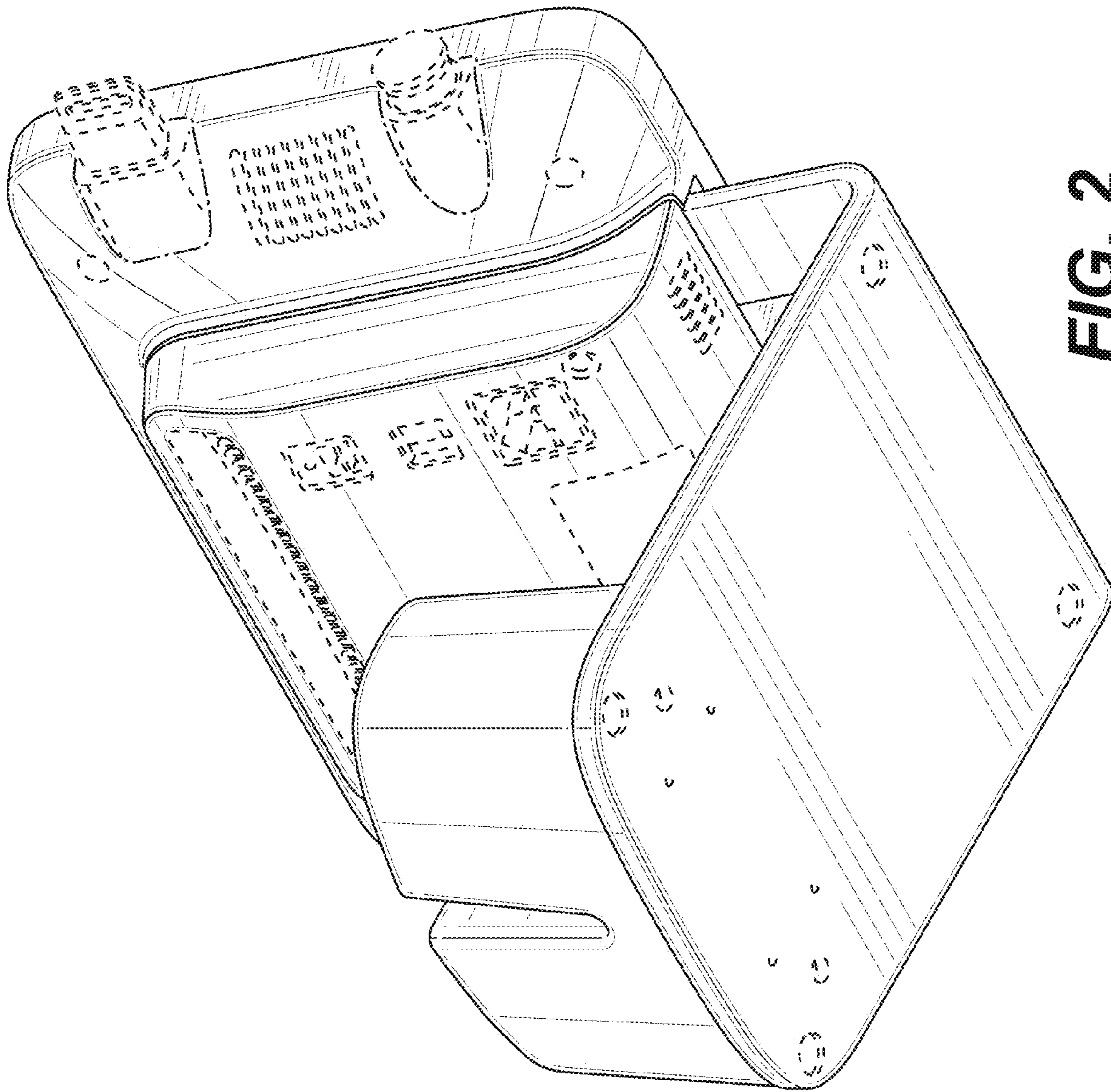


FIG. 2

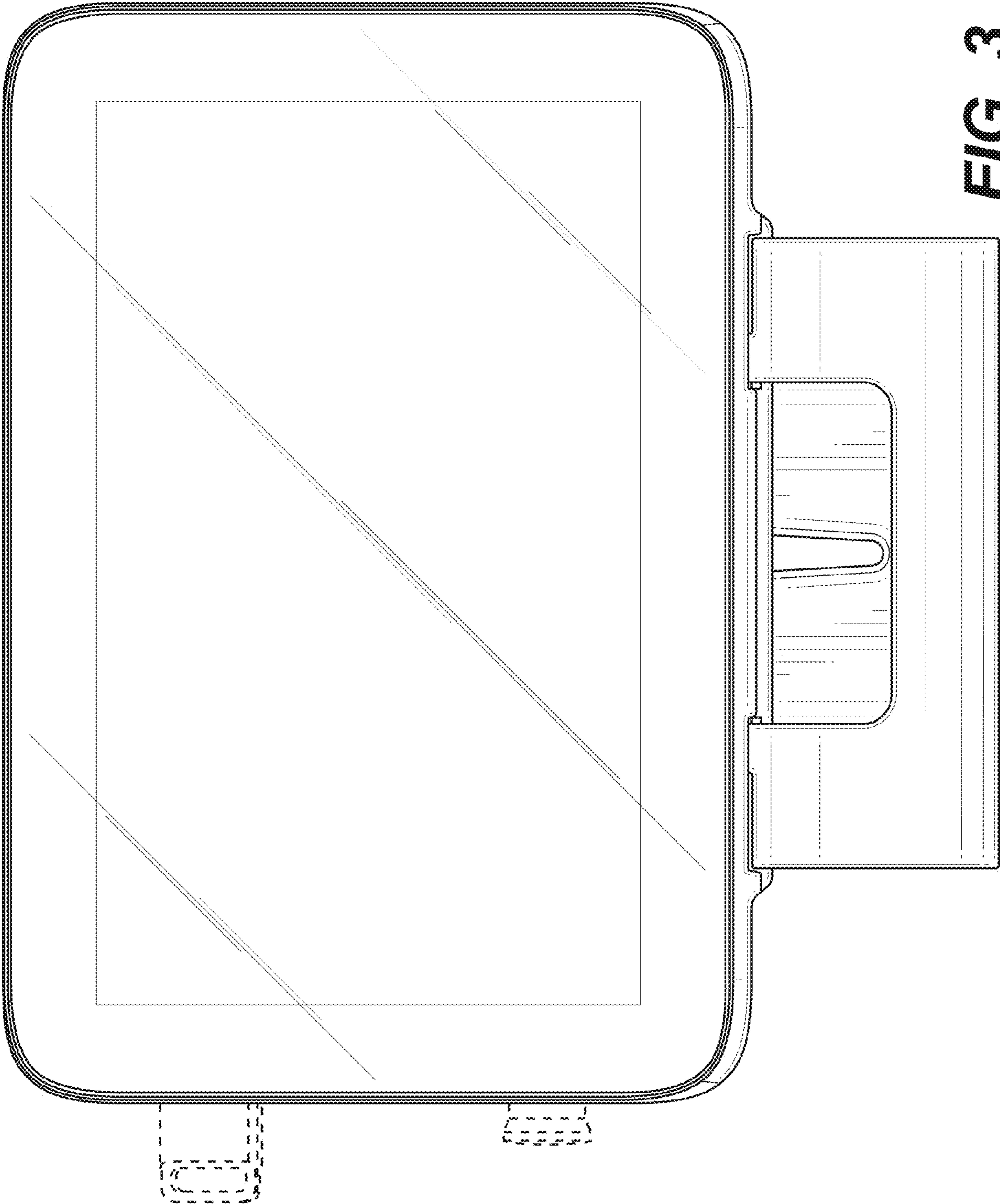


FIG. 3

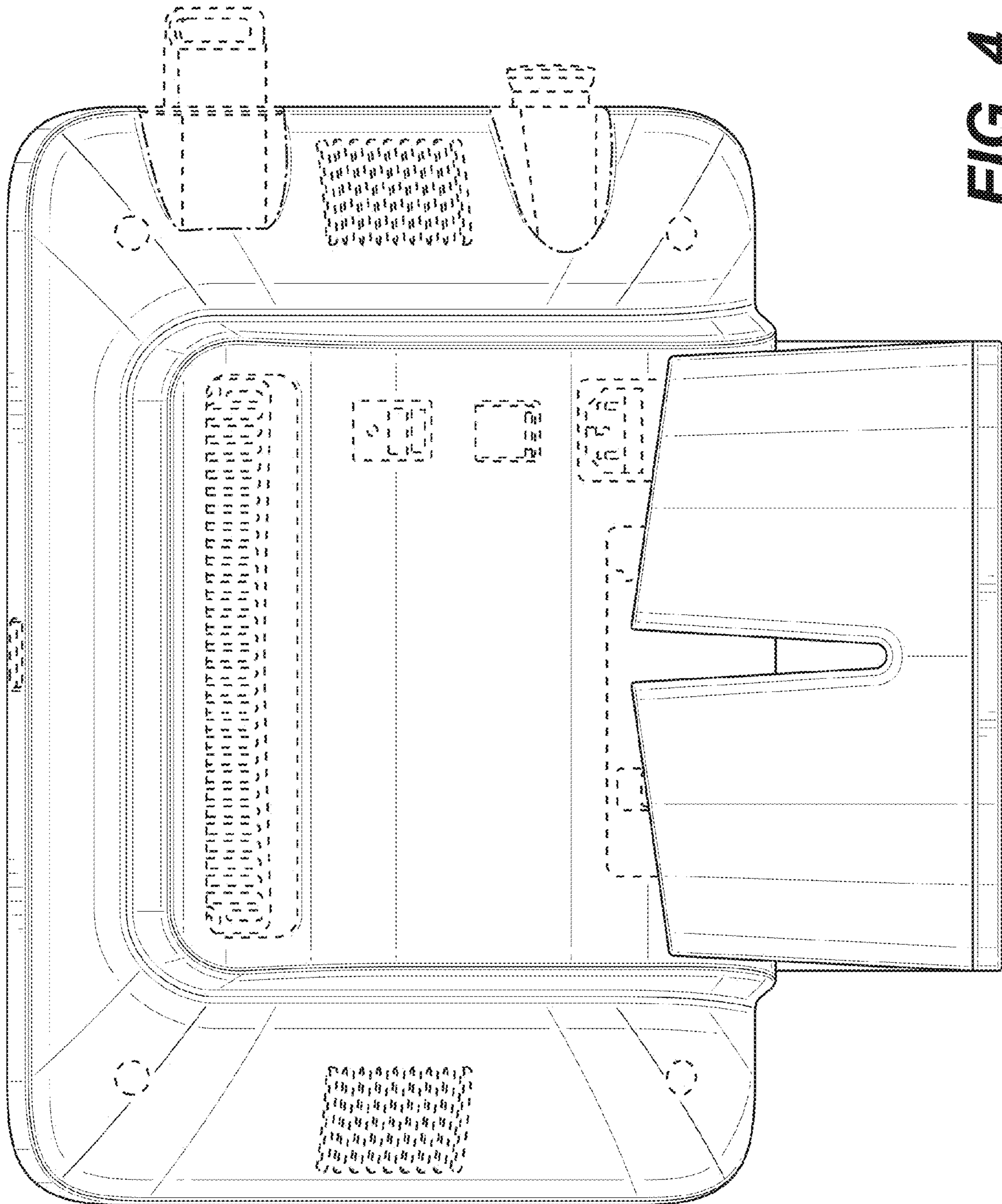


FIG. 4

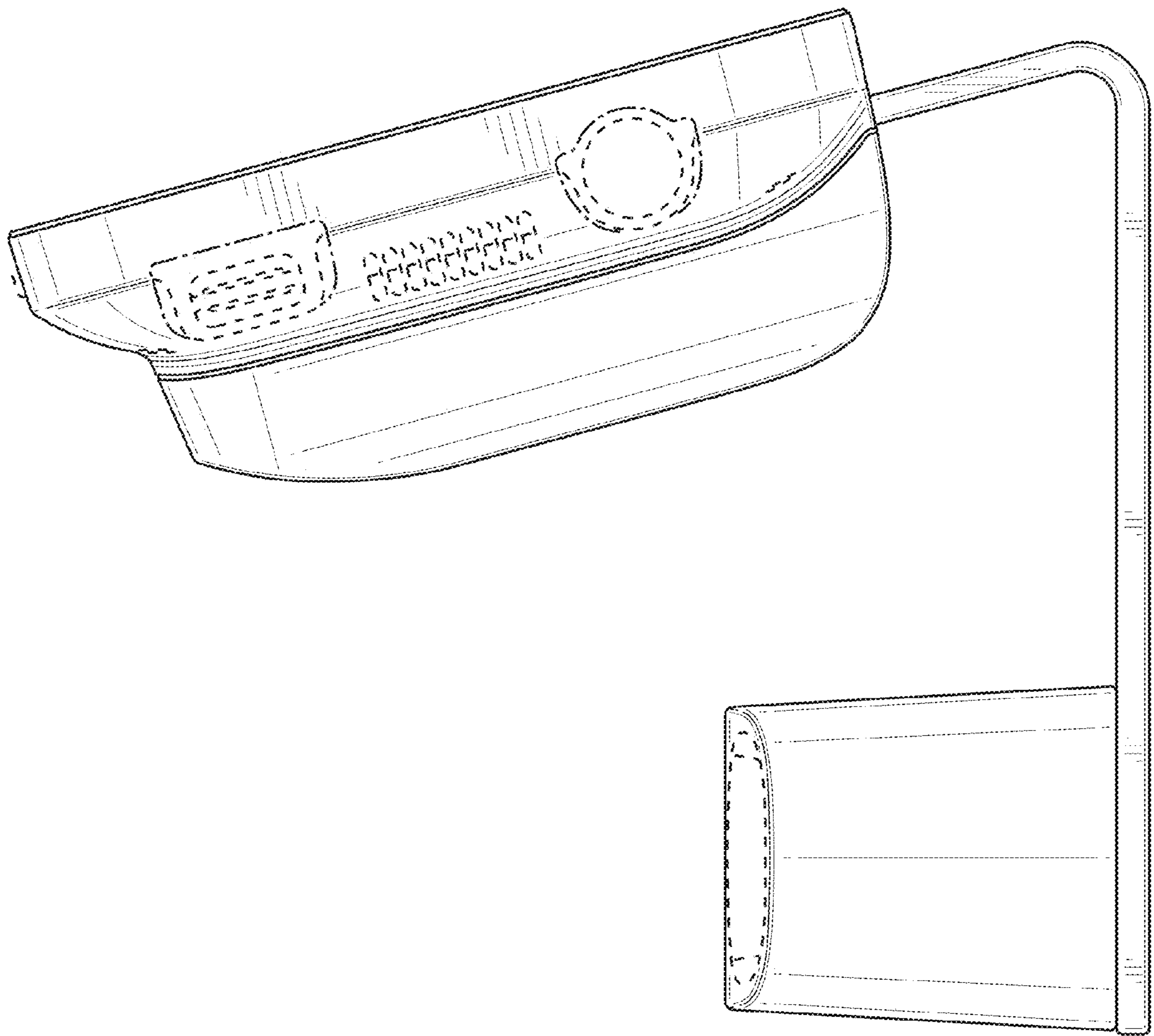


FIG. 5

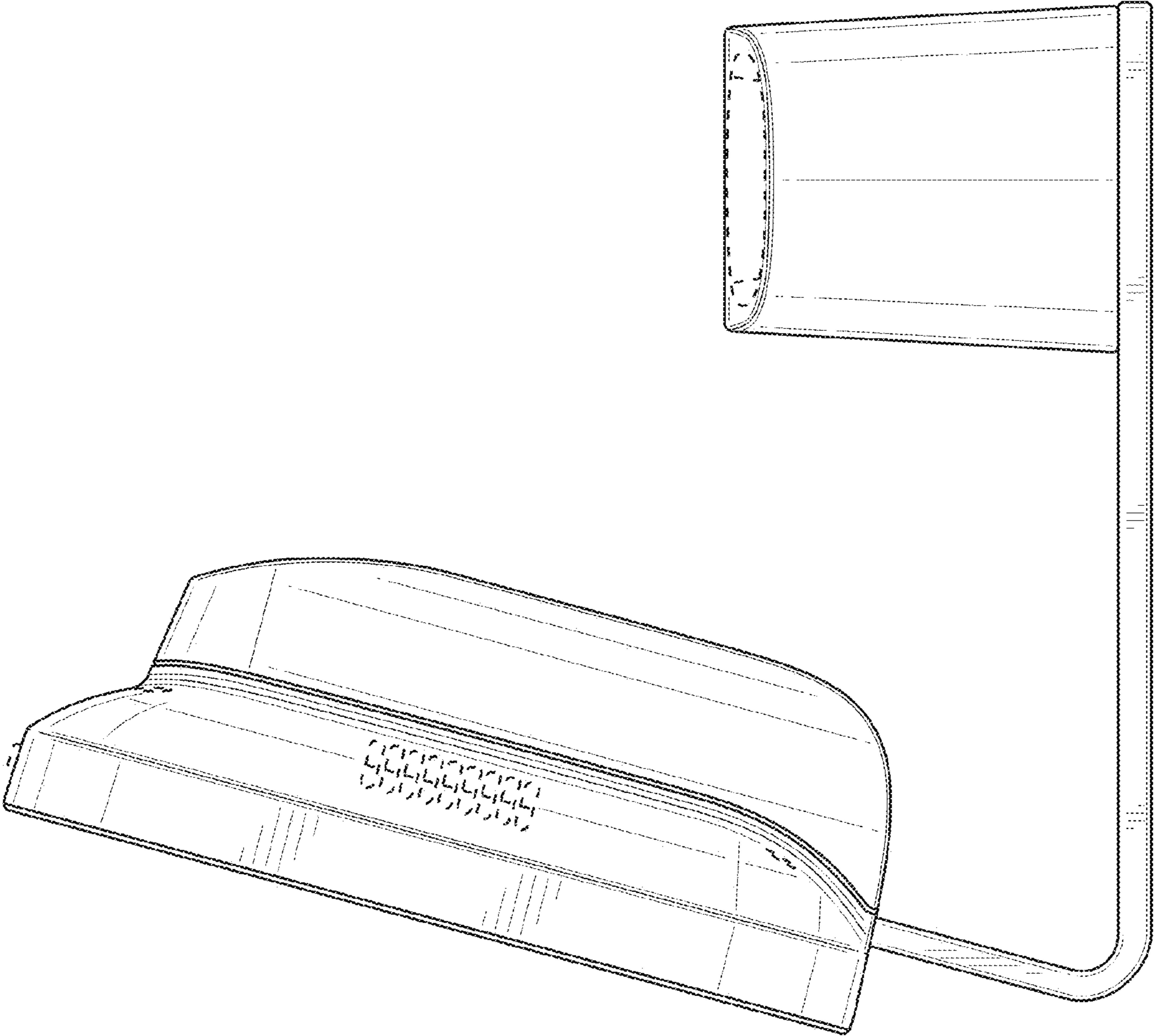
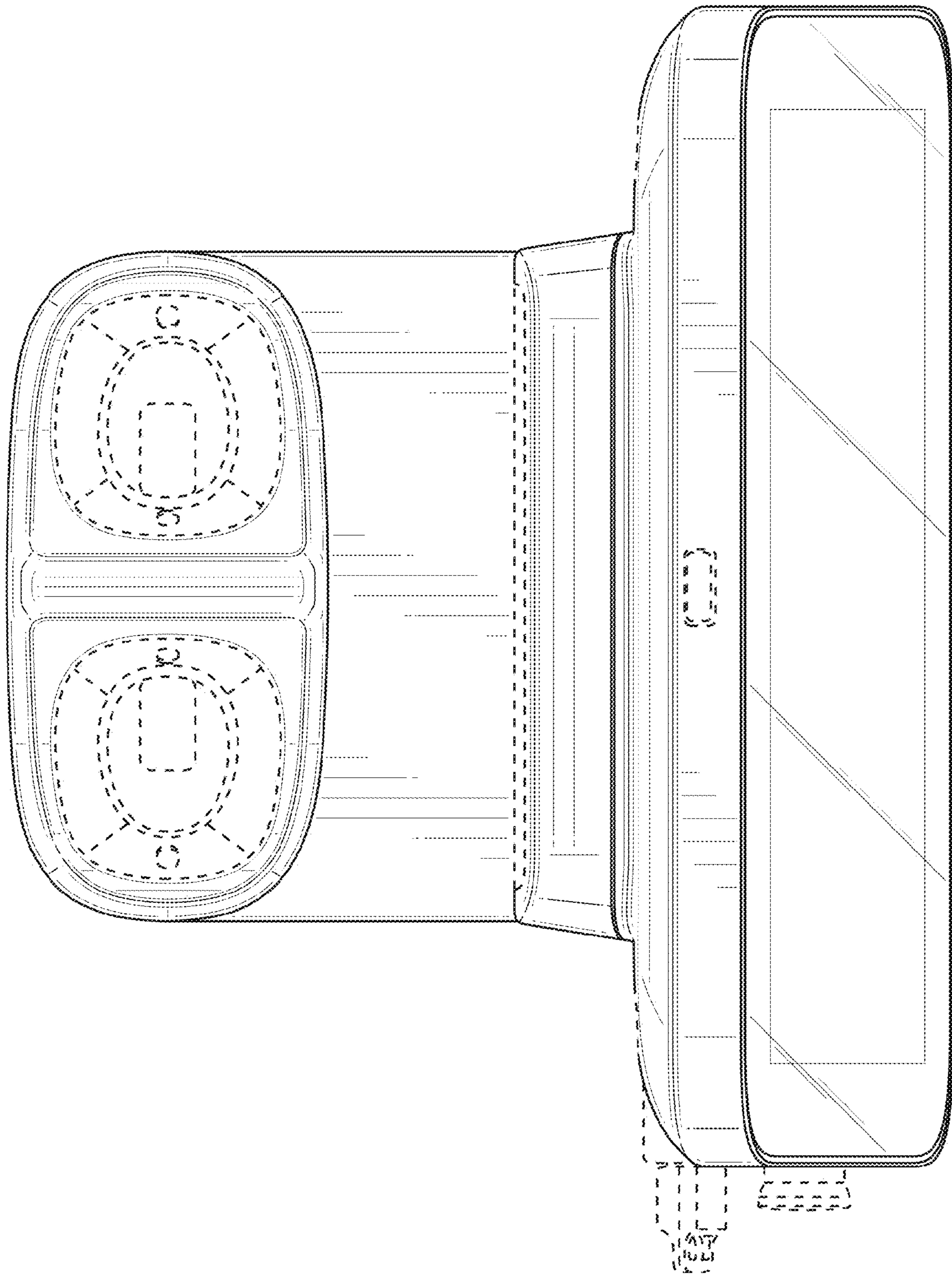
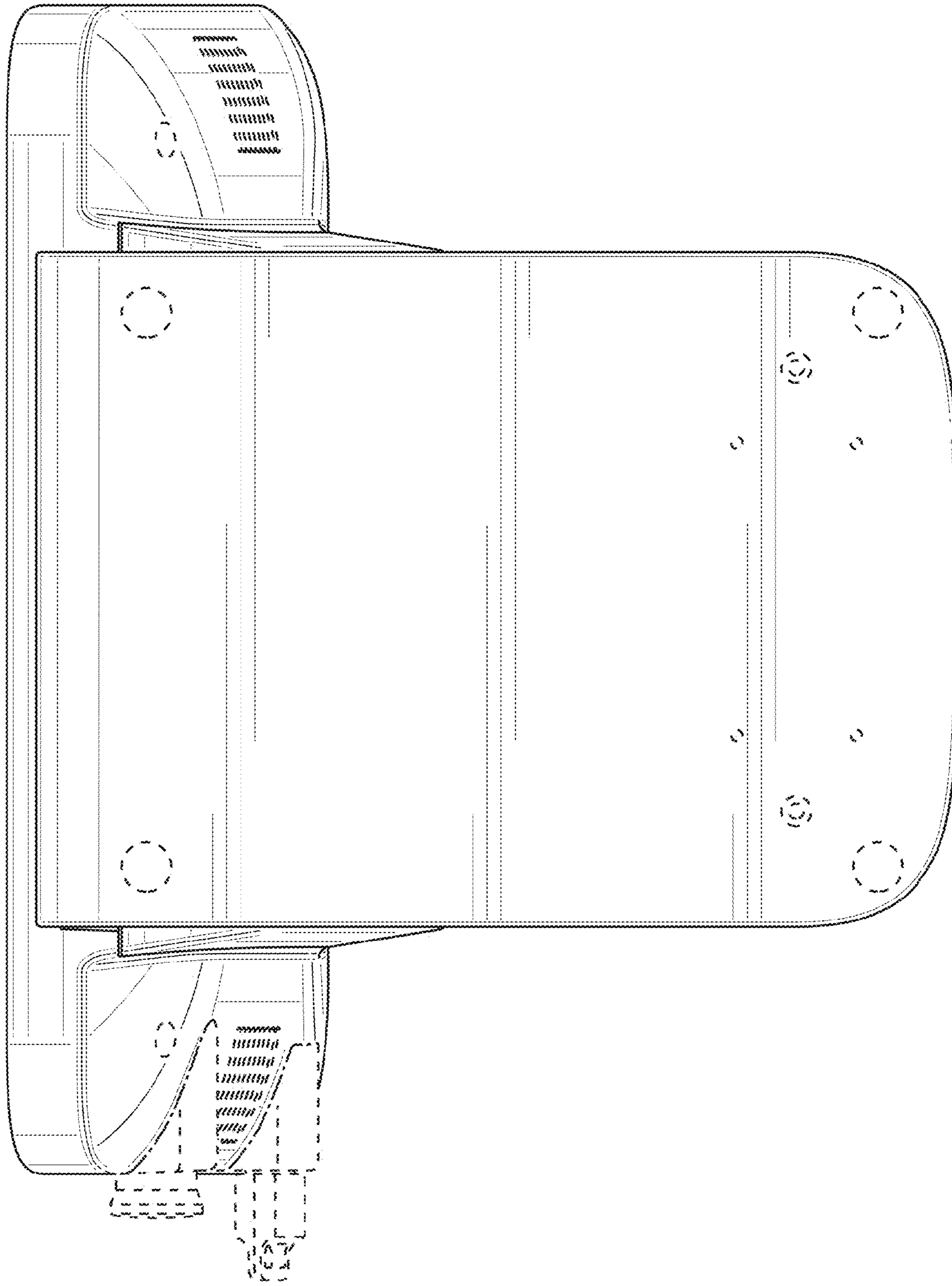


FIG. 6





**FIG. 7**



**FIG. 8**

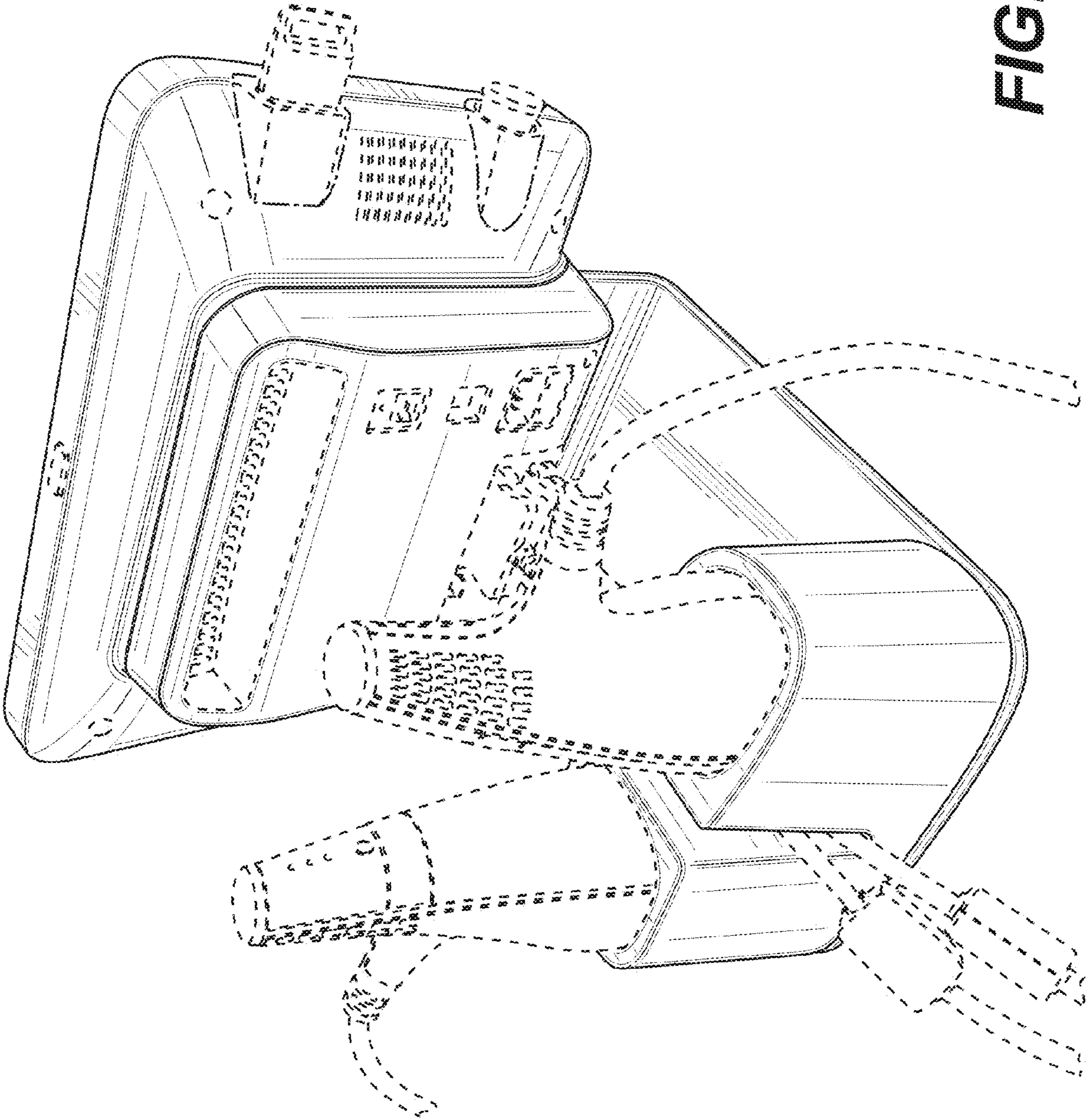


FIG. 9