



US00D921211S

(12) **United States Design Patent** (10) **Patent No.:** **US D921,211 S**  
**Jeong et al.** (45) **Date of Patent:** **\*\* Jun. 1, 2021**

(54) **MEDICAL COOLING DEVICE**

FOREIGN PATENT DOCUMENTS

(71) Applicant: **RECENSMEDICAL, INC.**, Ulsan (KR)

CN 2660834 Y 12/2004  
EP 1 401 347 B1 8/2011

(Continued)

(72) Inventors: **Yun Woo Jeong**, Seoul (KR); **Ga Eul Han**, Chungju-si (KR); **Jin Hee Cha**, Busan (KR); **Cho Eun Park**, Daegu (KR)

OTHER PUBLICATIONS

Korean Office Action dated Nov. 26, 2019 for KR 10-2018-0049108.

(Continued)

(73) Assignee: **RecensMedical, Inc.**, Ulsan (KR)

(\*\*) Term: **15 Years**

*Primary Examiner* — Wan Laymon

(21) Appl. No.: **29/701,630**

(74) *Attorney, Agent, or Firm* — Knobbe Martens Olson & Bear LLP

(22) Filed: **Aug. 13, 2019**

(30) **Foreign Application Priority Data**

(57) **CLAIM**

Jun. 21, 2019 (KR) ..... 30-2019-0029669

The ornamental design for a medical cooling device, as shown and described.

(51) **LOC (13) Cl.** ..... **24-04**

(52) **U.S. Cl.**  
USPC ..... **D24/206**

(58) **Field of Classification Search**  
USPC ..... D24/206–208, 215, 200  
CPC .... A61F 7/00; A61F 7/007; A61F 7/12; A61F 2007/0056; A61F 2007/0075; A61F 2007/0087; A61F 2007/0085; A61F 2007/0063; A61B 18/02; A61M 19/00  
See application file for complete search history.

**DESCRIPTION**

FIG. 1 is a perspective view of a medical cooling device according to the new design.  
FIG. 2 is a front view of the medical cooling device of FIG. 1.  
FIG. 3 is a rear view of the medical cooling device of FIG. 1.  
FIG. 4 is a left side view of the medical cooling device of FIG. 1.  
FIG. 5 is a right side view of the medical cooling device of FIG. 1.  
FIG. 6 is a top plan view of the medical cooling device of FIG. 1; and,  
FIG. 7 is a bottom plan view of the medical cooling device of FIG. 1.  
In the drawings, the broken lines depict environmental subject matter only and form no part of the claimed design.

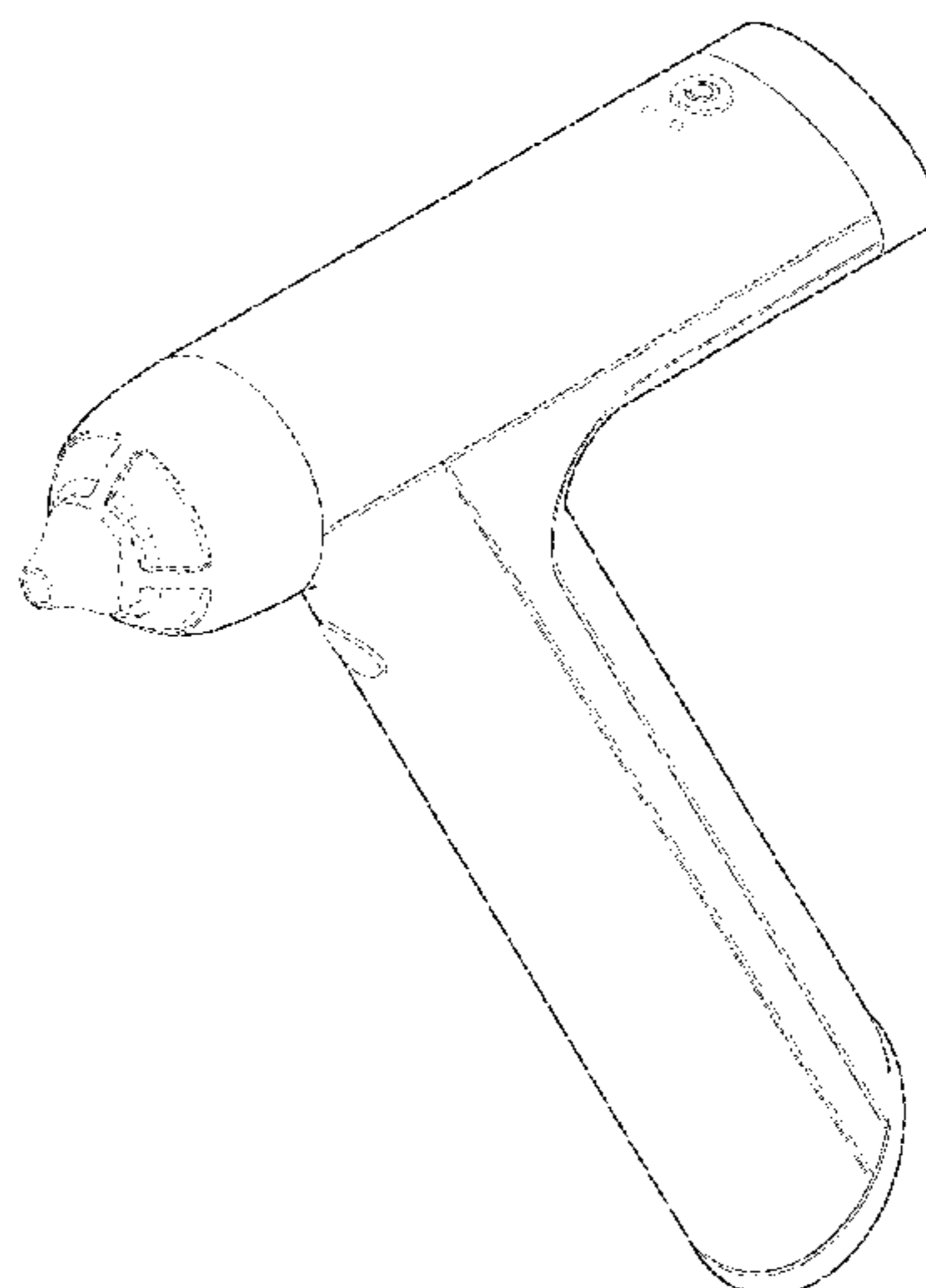
(56) **References Cited**

U.S. PATENT DOCUMENTS

2,044,823 A	6/1936	Whiteside
4,646,735 A	3/1987	Seney
6,099,521 A	8/2000	Shaddock
6,141,985 A	11/2000	Cluzeau et al.
6,632,219 B1	10/2003	Baranov et al.
6,669,688 B2	12/2003	Svaasand et al.
7,037,326 B2	5/2006	Lee
7,780,656 B2	8/2010	Tankovich
7,963,959 B2	6/2011	Silva et al.

(Continued)

**1 Claim, 7 Drawing Sheets**



(56)

References Cited

U.S. PATENT DOCUMENTS

8,083,734 B2 12/2011 Steinfatt et al.  
 D658,775 S \* 5/2012 Jiangminhui ..... D24/206  
 8,177,827 B2 5/2012 Shapiro  
 8,256,233 B2 9/2012 Boyden et al.  
 8,409,184 B2 \* 4/2013 Baust ..... A61B 18/02  
 606/21  
 8,652,131 B2 2/2014 Muller et al.  
 8,672,879 B2 3/2014 Grant et al.  
 8,747,397 B2 \* 6/2014 Baust ..... A61B 18/02  
 606/21  
 8,788,060 B2 7/2014 Nebrigic et al.  
 8,858,583 B2 10/2014 Shtram et al.  
 9,017,318 B2 4/2015 Fourkas et al.  
 9,039,688 B2 5/2015 Palmer, III et al.  
 9,066,712 B2 6/2015 Fourkas et al.  
 9,113,855 B2 8/2015 Burger et al.  
 9,155,584 B2 \* 10/2015 Fourkas ..... A61B 18/02  
 9,398,975 B2 7/2016 Müller et al.  
 9,522,031 B2 12/2016 Anderson et al.  
 9,549,773 B2 1/2017 Anderson et al.  
 9,642,741 B2 5/2017 Feng et al.  
 9,801,677 B2 10/2017 Anderson et al.  
 9,855,166 B2 1/2018 Anderson et al.  
 9,956,355 B2 5/2018 Besirli et al.  
 9,974,684 B2 5/2018 Anderson et al.  
 D822,841 S \* 7/2018 Cheng ..... D24/206  
 10,085,881 B2 10/2018 Karnik et al.  
 10,154,870 B2 12/2018 Ottanelli  
 10,188,444 B2 1/2019 Fourkas et al.  
 10,213,244 B2 2/2019 Fourkas et al.  
 10,322,248 B2 6/2019 Besirli et al.  
 10,349,997 B1 \* 7/2019 O'Reilly ..... A61F 7/0085  
 10,363,080 B2 7/2019 Elkins et al.  
 10,543,032 B2 1/2020 Babkin  
 2004/0102768 A1 5/2004 Cluzeau et al.  
 2004/0111087 A1 6/2004 Stern et al.  
 2005/0005626 A1 1/2005 McMahon  
 2005/0059940 A1 3/2005 Weber et al.  
 2005/0261753 A1 11/2005 Littrup et al.  
 2006/0200117 A1 9/2006 Hermans  
 2006/0213509 A1 9/2006 Marin et al.  
 2007/0005048 A1 1/2007 Niedbala et al.  
 2008/0164296 A1 7/2008 Shelton et al.  
 2008/0221561 A1 9/2008 Geiger et al.  
 2009/0036846 A1 2/2009 Dacquay et al.  
 2009/0062751 A1 3/2009 Newman, Jr.  
 2009/0124972 A1 5/2009 Fischer et al.  
 2009/0149930 A1 6/2009 Schenck  
 2009/0163902 A1 6/2009 DeLonzor et al.  
 2010/0010480 A1 1/2010 Mehta et al.  
 2010/0087805 A1 4/2010 Citterio et al.  
 2010/0196343 A1 8/2010 O'Neil et al.  
 2010/0198207 A1 8/2010 Elkins et al.  
 2011/0072834 A1 3/2011 Ishikura et al.  
 2011/0098791 A1 4/2011 Kim  
 2011/0137268 A1 6/2011 Thomason et al.  
 2011/0152850 A1 6/2011 Niedbala et al.  
 2011/0177474 A1 7/2011 Jamnia et al.  
 2011/0224761 A1 9/2011 Manstein  
 2012/0130458 A1 5/2012 Ryba et al.  
 2012/0191166 A1 7/2012 Callister et al.  
 2012/0232549 A1 9/2012 Willyard et al.  
 2012/0265278 A1 10/2012 Fourkas et al.  
 2013/0116719 A1 5/2013 Shtram et al.  
 2013/0184694 A1 7/2013 Fourkas et al.  
 2013/0296811 A1 11/2013 Bangera et al.  
 2013/0315924 A1 11/2013 Hsu et al.  
 2014/0012226 A1 1/2014 Hochman  
 2014/0200511 A1 7/2014 Boyden et al.  
 2014/0277023 A1 9/2014 Sekino et al.  
 2014/0303608 A1 \* 10/2014 Taghizadeh ..... A61F 7/00  
 606/20  
 2015/0051545 A1 2/2015 Henderson et al.  
 2016/0058488 A1 3/2016 Fourkas et al.  
 2016/0135864 A1 5/2016 Babkin

2016/0143802 A1 \* 5/2016 Tranfaglia ..... A61F 7/00  
 601/6  
 2016/0183996 A1 6/2016 Burger et al.  
 2016/0242956 A1 8/2016 Gomez  
 2016/0262820 A1 9/2016 Allison et al.  
 2016/0279350 A1 9/2016 Besirli et al.  
 2017/0014174 A1 1/2017 Levine et al.  
 2017/0062793 A1 3/2017 Zakharyan et al.  
 2017/0231816 A1 8/2017 Ryan  
 2017/0232243 A1 8/2017 Herweijer  
 2017/0304558 A1 10/2017 Besirli et al.  
 2017/0354451 A1 12/2017 Marin et al.  
 2018/0116705 A1 5/2018 Lee et al.  
 2018/0235805 A1 8/2018 Burger et al.  
 2018/0310979 A1 11/2018 Peled et al.  
 2019/0000524 A1 1/2019 Rosen et al.  
 2019/0015146 A1 1/2019 DuBois et al.  
 2019/0038459 A1 2/2019 Karnik et al.  
 2019/0175394 A1 6/2019 Kim  
 2019/0175395 A1 6/2019 Kim  
 2019/0175396 A1 6/2019 Kim  
 2019/0239938 A1 8/2019 Kazic et al.  
 2019/0254866 A1 8/2019 Whiteley et al.  
 2019/0290881 A1 9/2019 Kim  
 2020/0007883 A1 1/2020 Toresson  
 2020/0054483 A1 2/2020 Kim  
 2020/0100934 A1 \* 4/2020 Ariano ..... A61M 19/00  
 2020/0309436 A1 10/2020 Kim  
 2021/0007882 A1 \* 1/2021 Kim ..... A61F 7/00

FOREIGN PATENT DOCUMENTS

EP 2 010 087 B1 11/2014  
 EP 2 910 276 A1 8/2015  
 EP 2 759 272 B1 11/2018  
 JP 04-092663 A 3/1992  
 JP 06-086818 A 3/1994  
 JP 10-230435 A 9/1998  
 JP 2002-505155 A 2/2002  
 JP 4049358 B2 2/2002  
 JP 2005-080832 A 3/2005  
 JP 2008-545462 A 12/2008  
 JP 2009-034273 A 2/2009  
 JP 2009-056320 A 3/2009  
 JP 2011-077314 A 4/2011  
 JP 2012-143279 A 8/2012  
 JP 2013-142410 A 7/2013  
 JP 2014-198238 A 10/2014  
 JP 2015-510802 A 4/2015  
 JP 2017-113635 A 6/2017  
 KR 20-1998-0005117 3/1998  
 KR 2019-980005117 U 3/1998  
 KR 10-0200669 B1 3/1999  
 KR 10-2003-0068633 A 8/2003  
 KR 10-2004-0093706 A 11/2004  
 KR 10-0786539 B1 12/2007  
 KR 10-0790758 B1 12/2007  
 KR 10-2008-0045022 A 5/2008  
 KR 10-0851274 B1 8/2008  
 KR 10-2010-0041207 A 4/2010  
 KR 10-2010-0060222 A 6/2010  
 KR 10-2010-0135863 A 12/2010  
 KR 10-1053835 B1 8/2011  
 KR 10-2011-0119640 A 11/2011  
 KR 10-2012-0115703 A 10/2012  
 KR 10-2013-0087770 A 8/2013  
 KR 10-1366126 B1 2/2014  
 KR 10-1386137 B1 4/2014  
 KR 10-2014-0052667 A 5/2014  
 KR 10-2014-0069431 A 6/2014  
 KR 10-2015-0030264 A 3/2015  
 KR 10-2015-0062492 A 6/2015  
 KR 10-2016-0048425 A 5/2016  
 KR 10-2016-0146337 A 12/2016  
 KR 10-1719459 B1 3/2017  
 KR 10-2017-0041776 A 4/2017  
 KR 10-2017-0083399 A 7/2017  
 KR 10-2017-0089842 A 8/2017  
 KR 10-1813652 B1 8/2017



(56)

**References Cited**

## FOREIGN PATENT DOCUMENTS

KR	10-2017-0130470	A	11/2017
KR	10-1819204	B1	1/2018
KR	10-2018-0054247	A	5/2018
KR	10-1840346	B1	5/2018
KR	10-1862127	B1	5/2018
KR	10-2018-0109828	A	10/2018
KR	10-1936890	B1	1/2019
KR	10-2019-0074150		6/2019
WO	WO 2016/154399	A1	9/2016
WO	WO 2018/231868	A1	12/2018

## OTHER PUBLICATIONS

Korean Office Action dated Nov. 27, 2019 for KR 10-2018-0049109.

Korean Office Action dated Dec. 6, 2019 for KR 10-2018-0049110.

Korean Office Action dated Dec. 9, 2019 for KR 10-2018-0049115.

Korean Office Action dated Dec. 10, 2019 for KR 10-2018-0049117.

International Search Report dated Mar. 27, 2020, for PCT/KR2019/017328.

Korean Notice of Allowance dated Apr. 2, 2020 for KR 10-2018-0052601 with Eng. Translation.

Korean Office Action dated May 10, 2020 for KR10-2018-0049115, with Eng. Translation.

Office Action dated Oct. 2, 2019 for U.S. Appl. No. 15/828,449.

Office Action dated May 15, 2020 for U.S. Appl. No. 15/828,449.

Office Action dated Jun. 26, 2020 for U.S. Appl. No. 16/412,296.

International Search Report and Written Opinion dated Aug. 14, 2019 for PCT/KR2019/005105.

International Search Report and Written Opinion dated Nov. 15, 2019 for PCT/KR2019/009411.

Korean Final Office Action dated Jan. 17, 2020 for KR 10-2017-0162717 with Translation.

Korean Final Office Action dated May 10, 2020, for KR 10-2018-0049109 with Translation.

Korean Notice of Allowance dated Jun. 24, 2020 for KR 10-2018-0049109—w/ Trans.

Korean Final Office Action dated May 10, 2020 for KR 10-2018-0049110—w/ Trans.

Korean Notice of Allowance dated Jun. 22, 2020 for KR 10-2018-0049110—w/ Trans.

Korean Notice of Allowance dated Jul. 21, 2020 for KR 10-2018-0049115—w/ Trans.

Korean Notice of Allowance dated May 10, 2020 for KR 10-2018-0049117.

Korean Second Office Action, with translation, dated Oct. 28, 2019 for KR 10-2018-0052601.

Korean Office Action dated Oct. 22, 2018, for KR 10-2018-0117138.

Smith et al., "Ice Anesthesia for Injection of Dermal Fillers," The American Society for Dermatologic Surgery Inc., Dermatol. Surg 2010;36:812-814, 2010.

Sarifakioglu, et al., "Evaluating the Effects of Ice Application on the Pain Felt During Botulinum Toxin Type-A Injections," Annals of Plastic Surgery, vol. 53, No. 6, Dec. 2004.

International Search Report dated Jun. 4, 2018 for PCT/KR2017/012935.

International Search Report dated Jul. 6, 2018 for PCT/KR2018/003773.

International Search Report dated Aug. 8, 2018 for PCT/KR2017/013901.

International Search Report dated May 30, 2019 for PCT/KR2018/016491.

Korean Notice of Allowance dated Jun. 30, 2018 for KR 10-2016-0151947.

Korean Office Action dated Oct. 22, 2018 for KR 10-2017-0162715.

Korean Office Action dated Oct. 22, 2018 for KR 10-2017-0162716.

Korean Office Action dated Jul. 29, 2019 for KR 10-2017-0162717.

Korean Notice of Allowance dated Jul. 29, 2019 for KR 10-2017-0162716.

Korean Notice of Allowance dated Aug. 29, 2019 for KR 10-2017-0162715.

Korean Office Action dated Oct. 8, 2019 for KR 10-2018-0052601—no translation avail.

Chinese First Office Action dated Dec. 22, 2020 for CN 201780083128.0.

European (EUIPO) Examination Report dated Jan. 11, 2021 for 008309504-003.

European (EUIPO) Examination Report dated Feb. 5, 2021 for 008309504-003.

International Written Opinion dated Mar. 4, 2021, for PCT/KR2020101288.

International Written Opinion dated Mar. 4, 2021, for PCT/KR2020/012886.

Office Action dated Sep. 13, 2019 for U.S. Appl. No. 16/412,296.

Final Office Action dated Jan. 31, 2020 for U.S. Appl. No. 16/412,296.

Final Office Action dated Oct. 28, 2020 for U.S. Appl. No. 16/412,296.

Office Action dated Dec. 24, 2020 for U.S. Appl. No. 17/036,269.

Office Action dated Dec. 8, 2020 for U.S. Appl. No. 17/036,311.

Notice of Allowance dated Feb. 22, 2021 for U.S. Appl. No. 17/036,311.

Office Action dated Nov. 5, 2020 for U.S. Appl. No. 29/701,631.

Notice of Allowance dated Feb. 3, 2021 for U.S. Appl. No. 29/701,631.

\* cited by examiner

FIG. 1

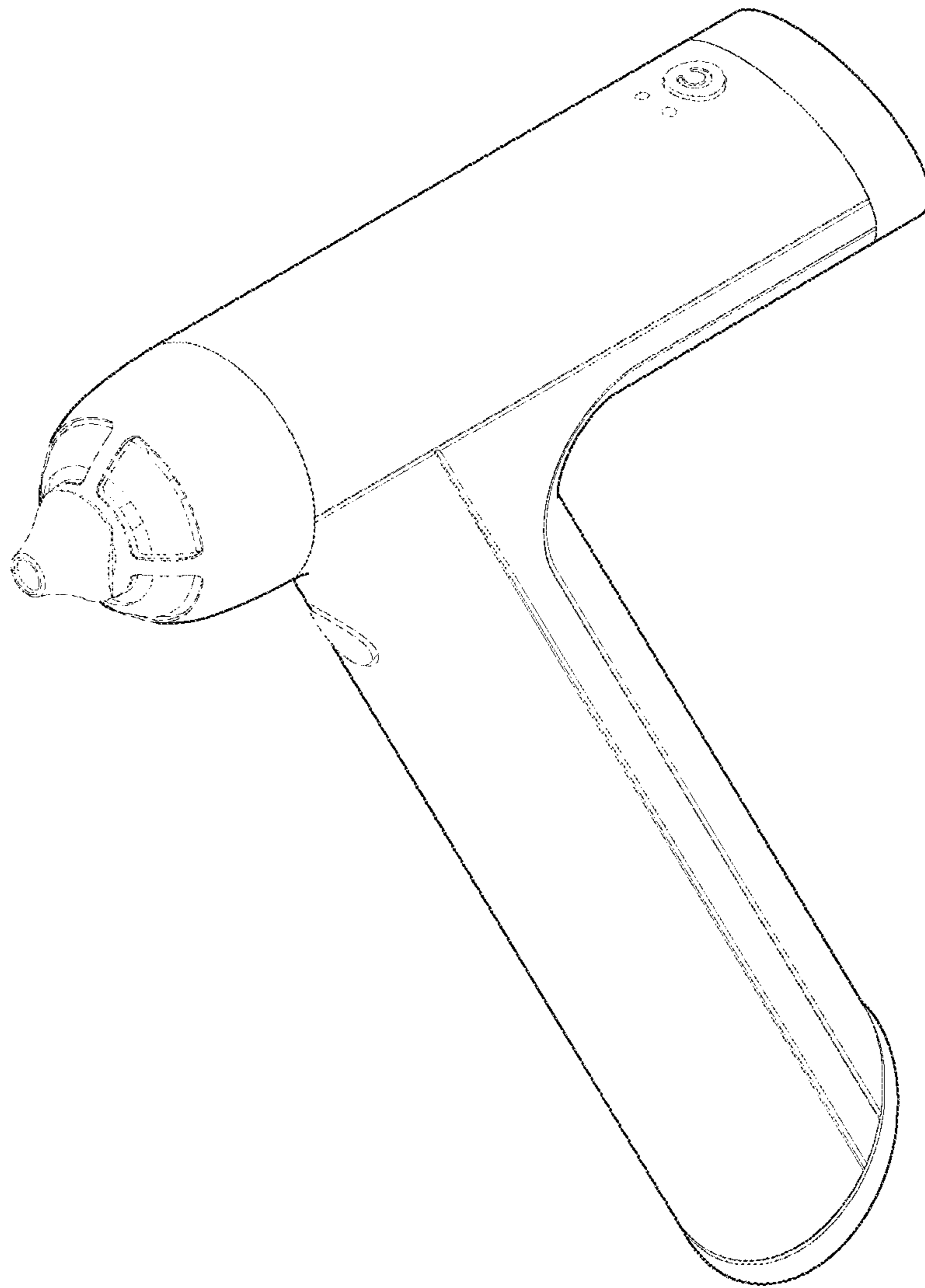


FIG. 2

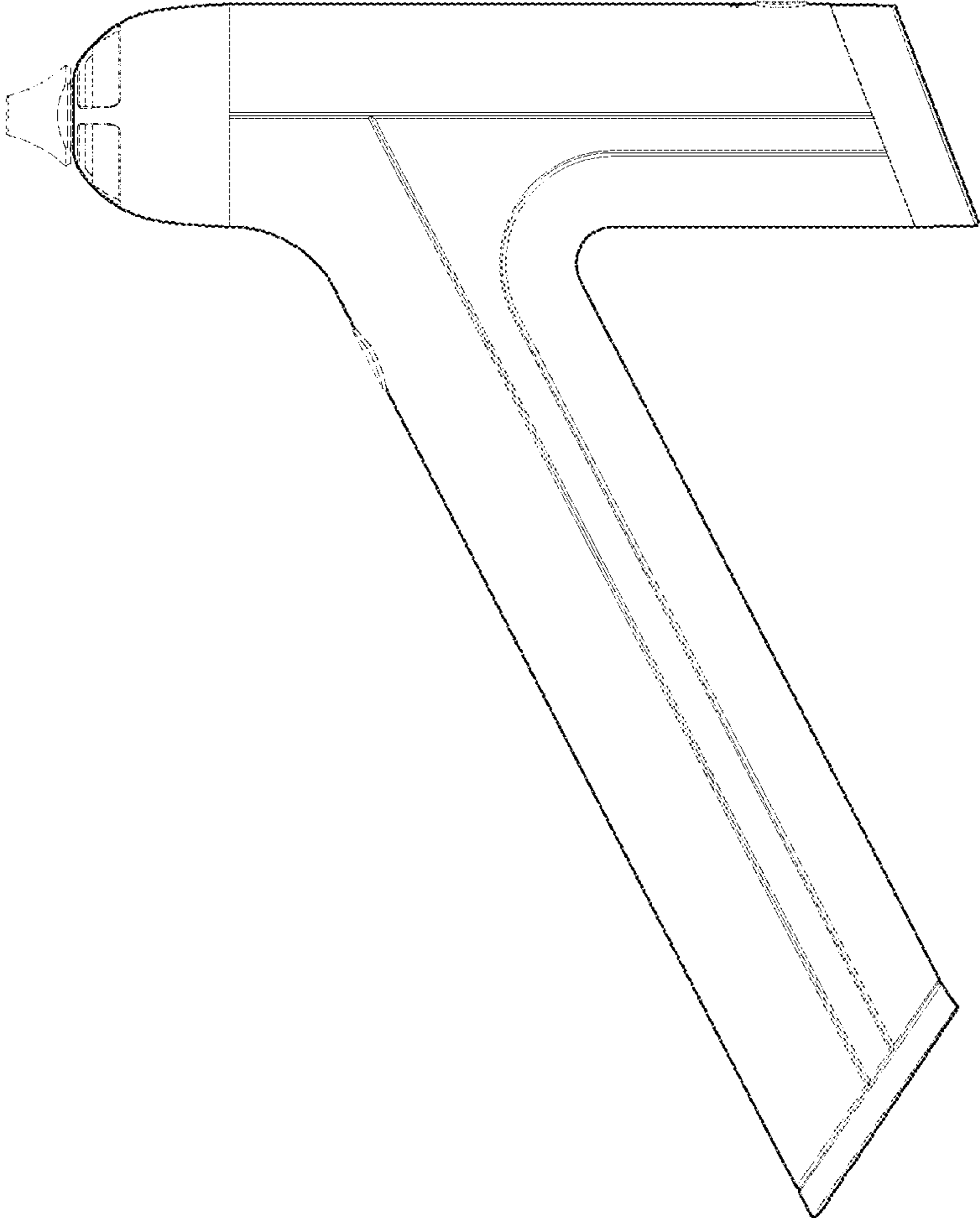


FIG. 3

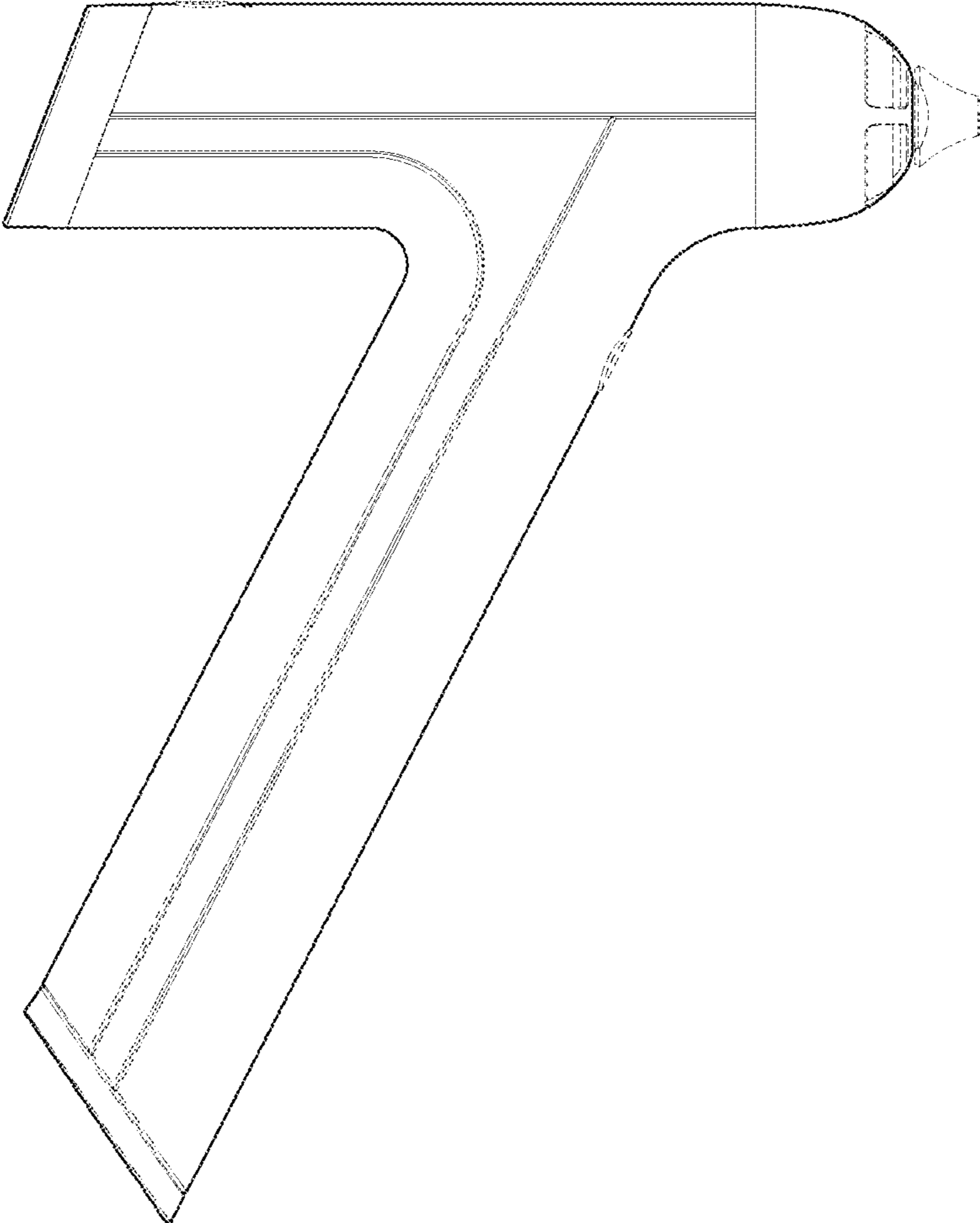


FIG. 4

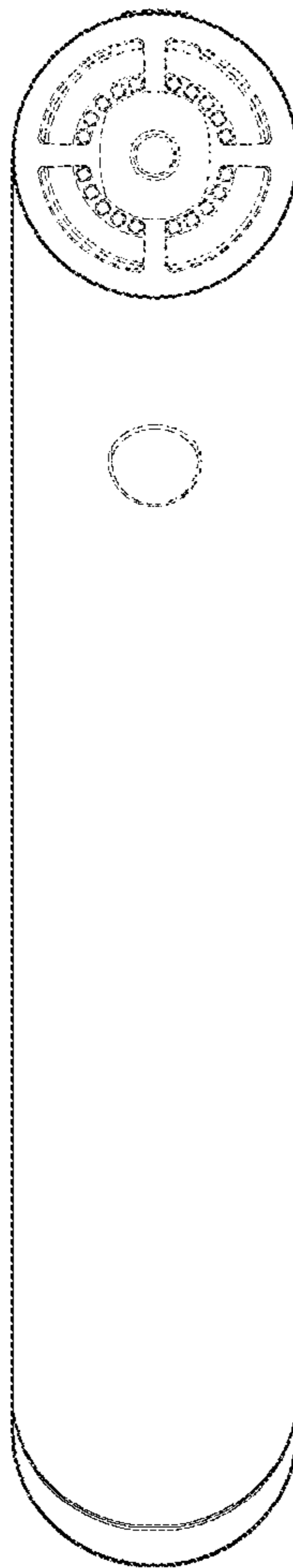


FIG. 5

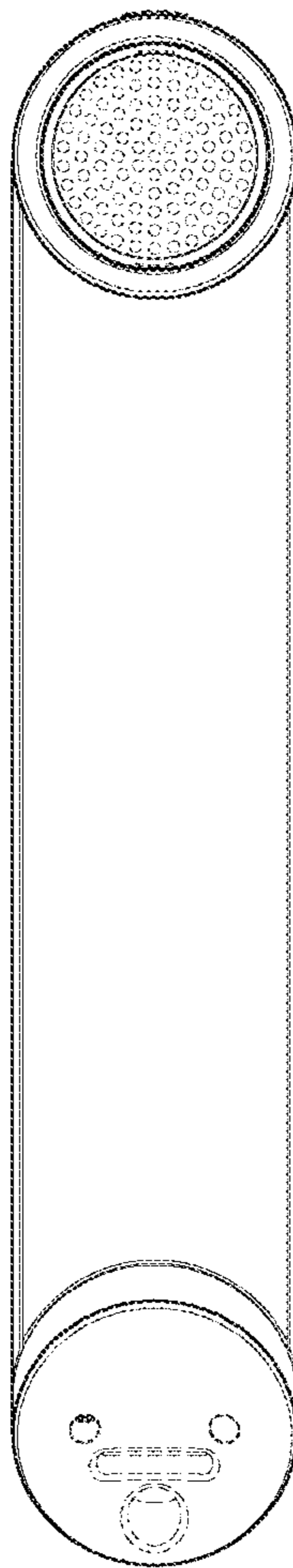




FIG. 6

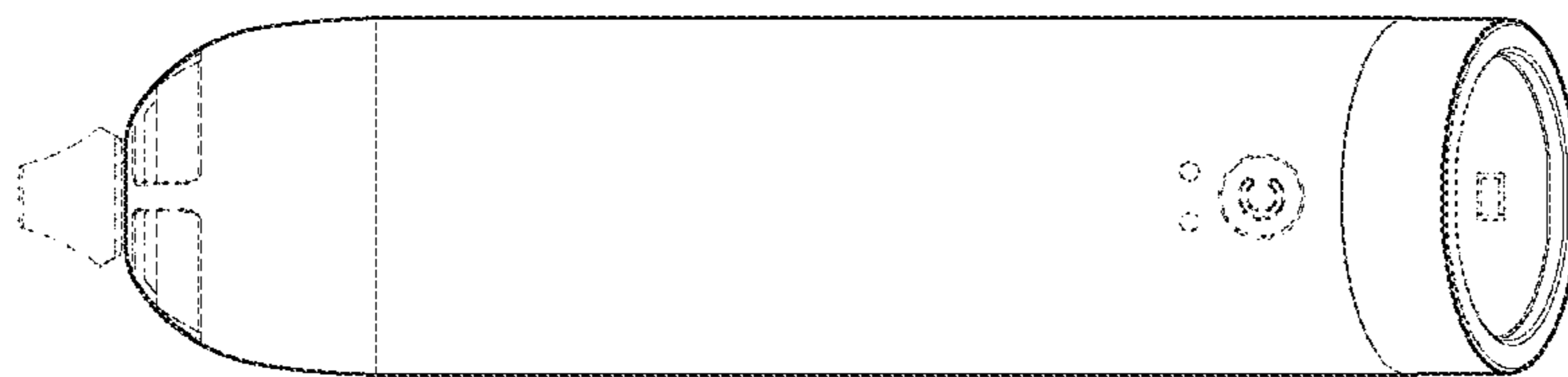


FIG. 7

