



US00D921210S

(12) **United States Design Patent**
Ye

(10) **Patent No.:** **US D921,210 S**
(45) **Date of Patent:** **** Jun. 1, 2021**

(54) **MASSAGER**

(71) Applicant: **Jiyan Ye**, Guangdong (CN)

(72) Inventor: **Jiyan Ye**, Guangdong (CN)

(**) Term: **15 Years**

(21) Appl. No.: **29/698,563**

(22) Filed: **Jul. 18, 2019**

(51) **LOC (13) Cl.** **28-03**

(52) **U.S. Cl.**
USPC **D24/200**

(58) **Field of Classification Search**
USPC D24/200, 214–215; D21/662
CPC A61H 19/00; A61H 19/44; A61H 19/50;
A61H 19/30; A61H 19/32; A61H 19/34;
A61H 19/40; A61H 1/001; A61H
2205/087; A47C 15/008
See application file for complete search history.

(56) **References Cited**

U.S. PATENT DOCUMENTS

9,808,396	B2 *	11/2017	Ferrari	A61H 19/44
D824,036	S *	7/2018	Hu	D24/200
D868,274	S *	11/2019	Hu	D24/200
2003/0176819	A1 *	9/2003	Kim	A61H 19/30
					601/98
2008/0081946	A1 *	4/2008	McCaffrey	A61H 19/44
					600/38
2016/0166465	A1 *	6/2016	Marson	A61H 15/00
					601/121

2017/0165150	A1 *	6/2017	Whitney	A61H 19/44
2017/0258456	A1 *	9/2017	Wu	A61H 19/00
2019/0282439	A1 *	9/2019	Ray	A61H 19/44

FOREIGN PATENT DOCUMENTS

CN 305562866 * 7/2019

* cited by examiner

Primary Examiner — Wan Laymon

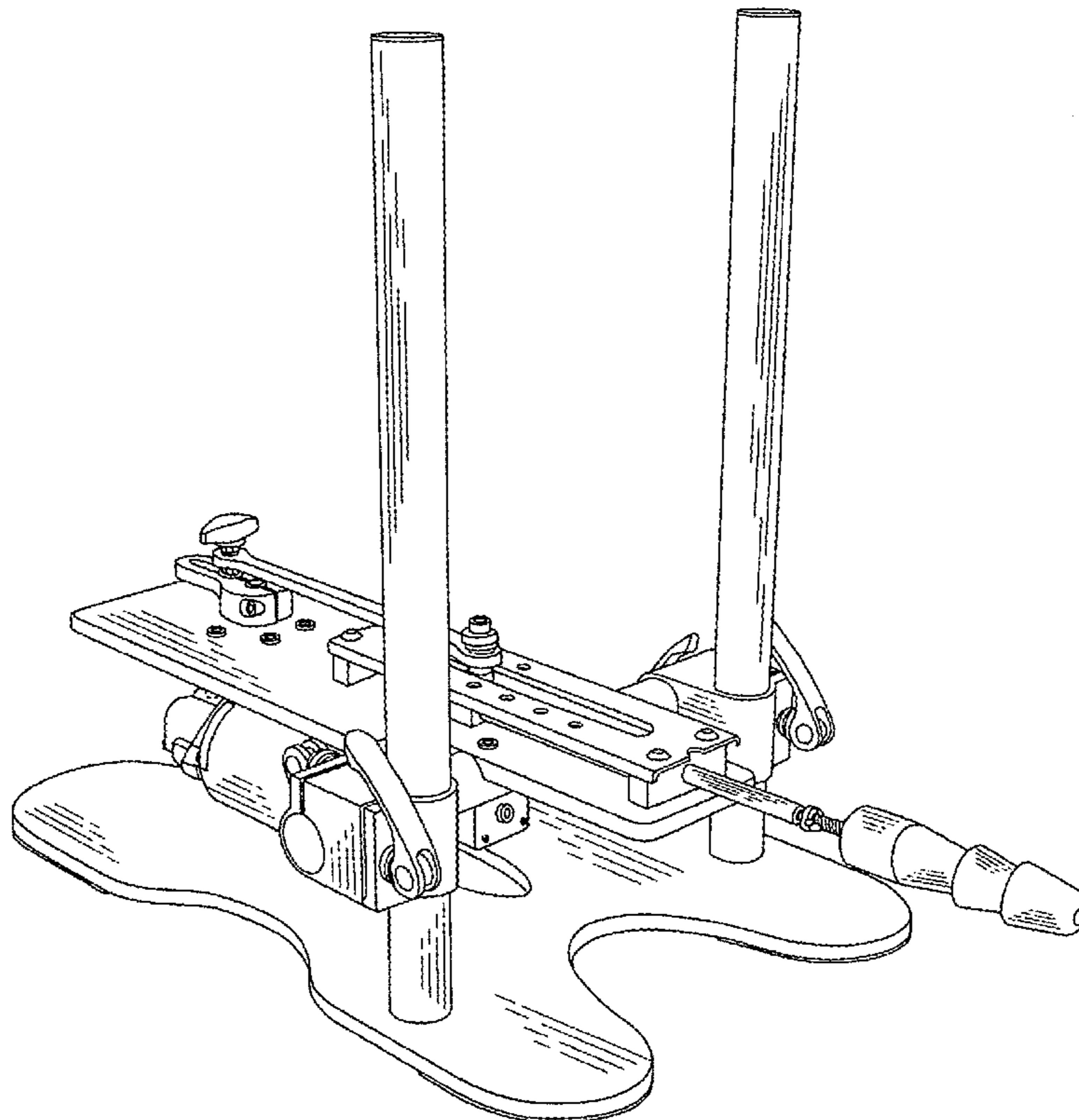
(57) **CLAIM**

The ornamental design for a massager, as shown and described.

DESCRIPTION

FIG. 1 is a perspective view of a massager showing my new design;
FIG. 2 is another perspective view thereof;
FIG. 3 is a front elevation view thereof;
FIG. 4 is a rear elevation view thereof;
FIG. 5 is a left side elevation view thereof;
FIG. 6 is a right side elevation view thereof;
FIG. 7 is a top plan view thereof; and,
FIG. 8 is a bottom plan view thereof.
The broken lines in the drawings are included for the purpose of illustrating a portion of the massager that form no part of the claimed design.

1 Claim, 8 Drawing Sheets



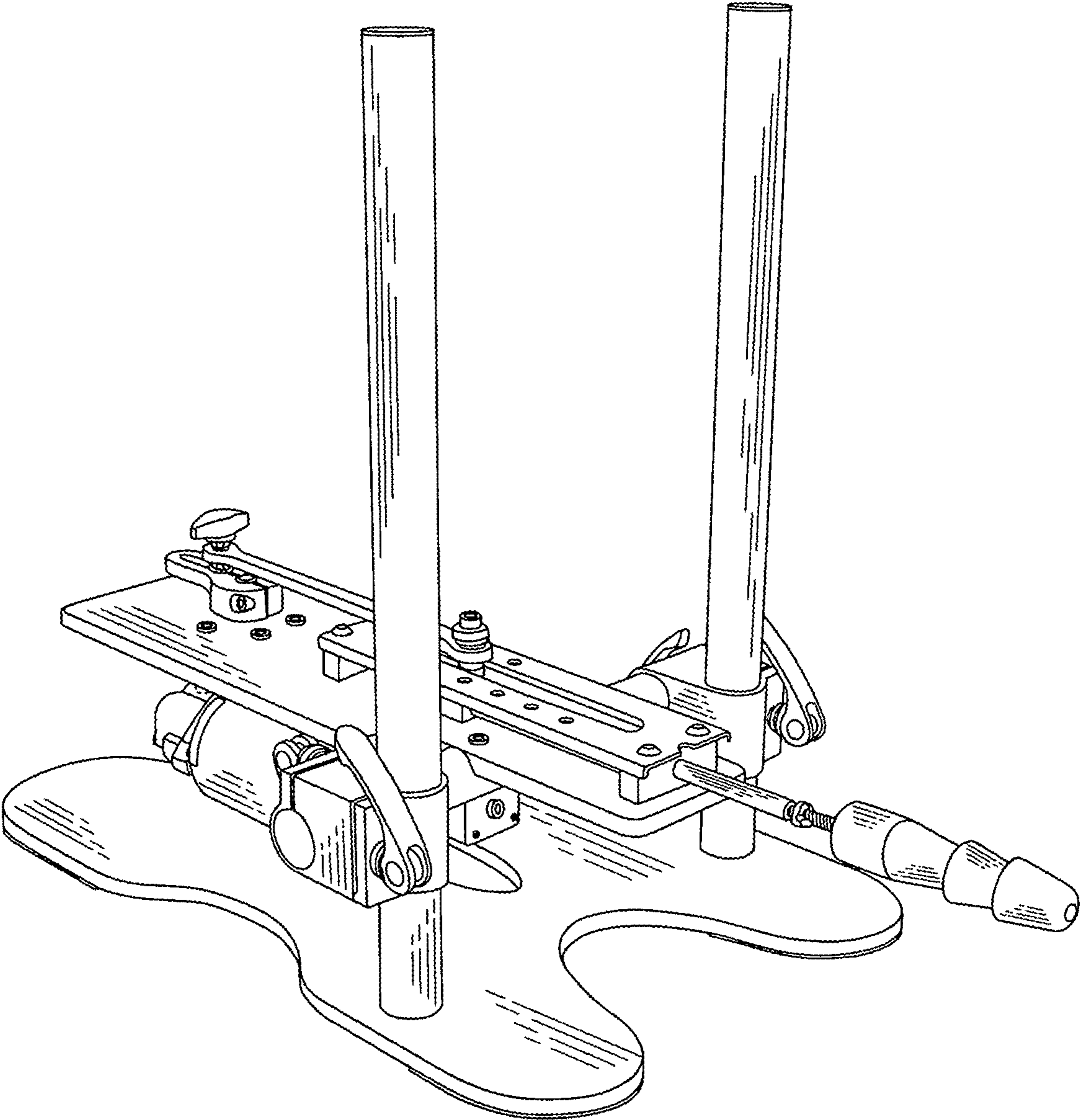


FIG.1

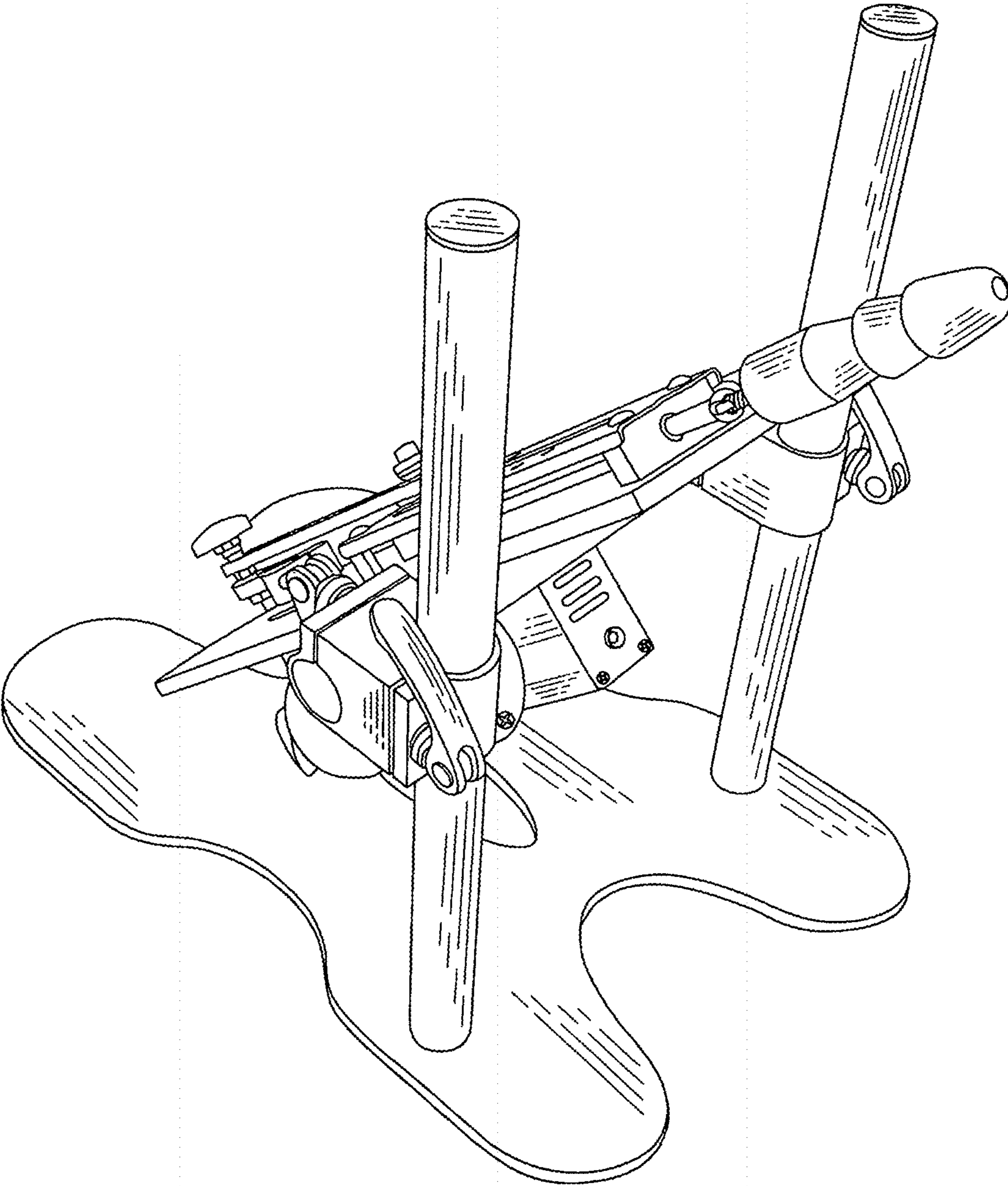


FIG.2

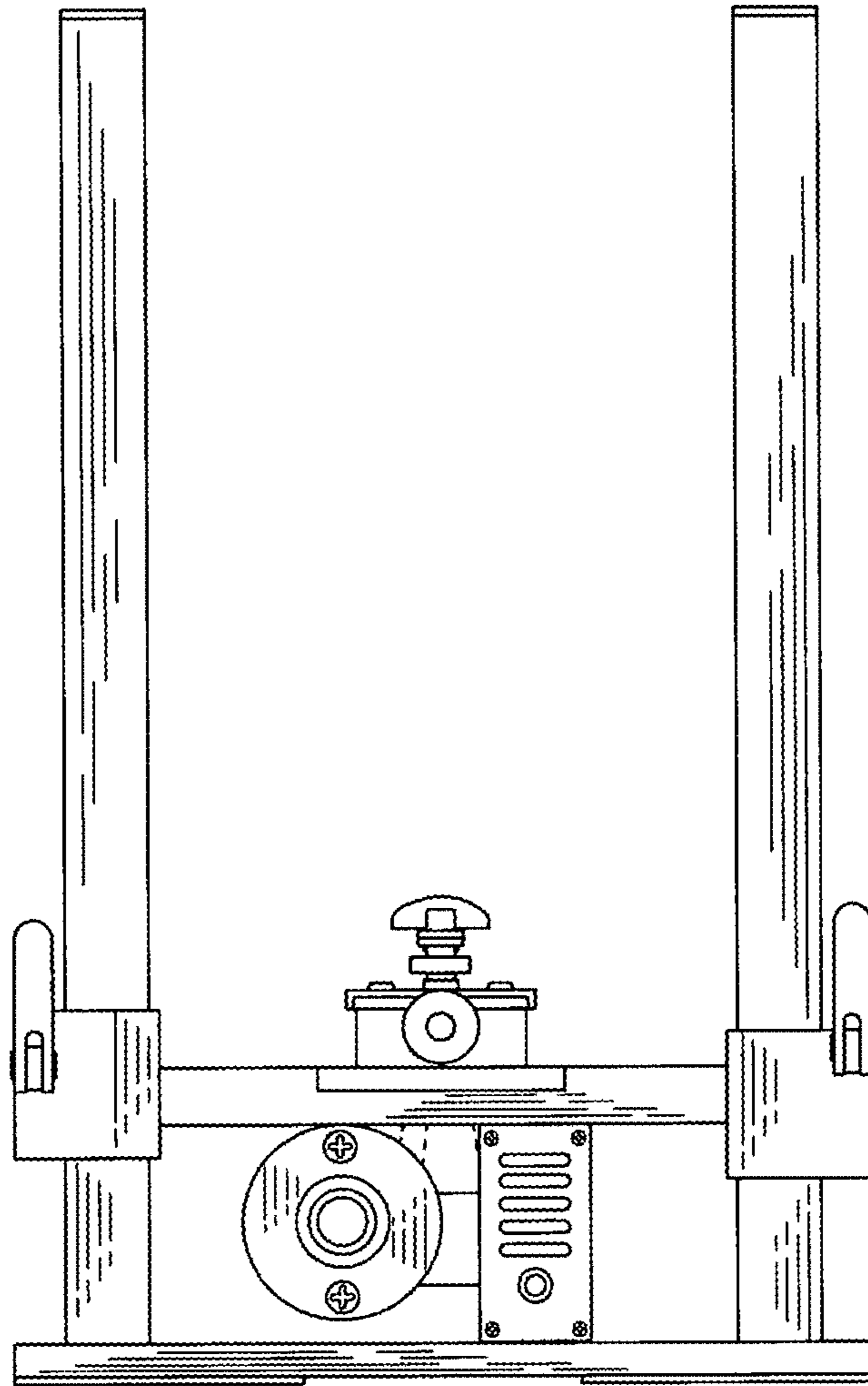


FIG.3

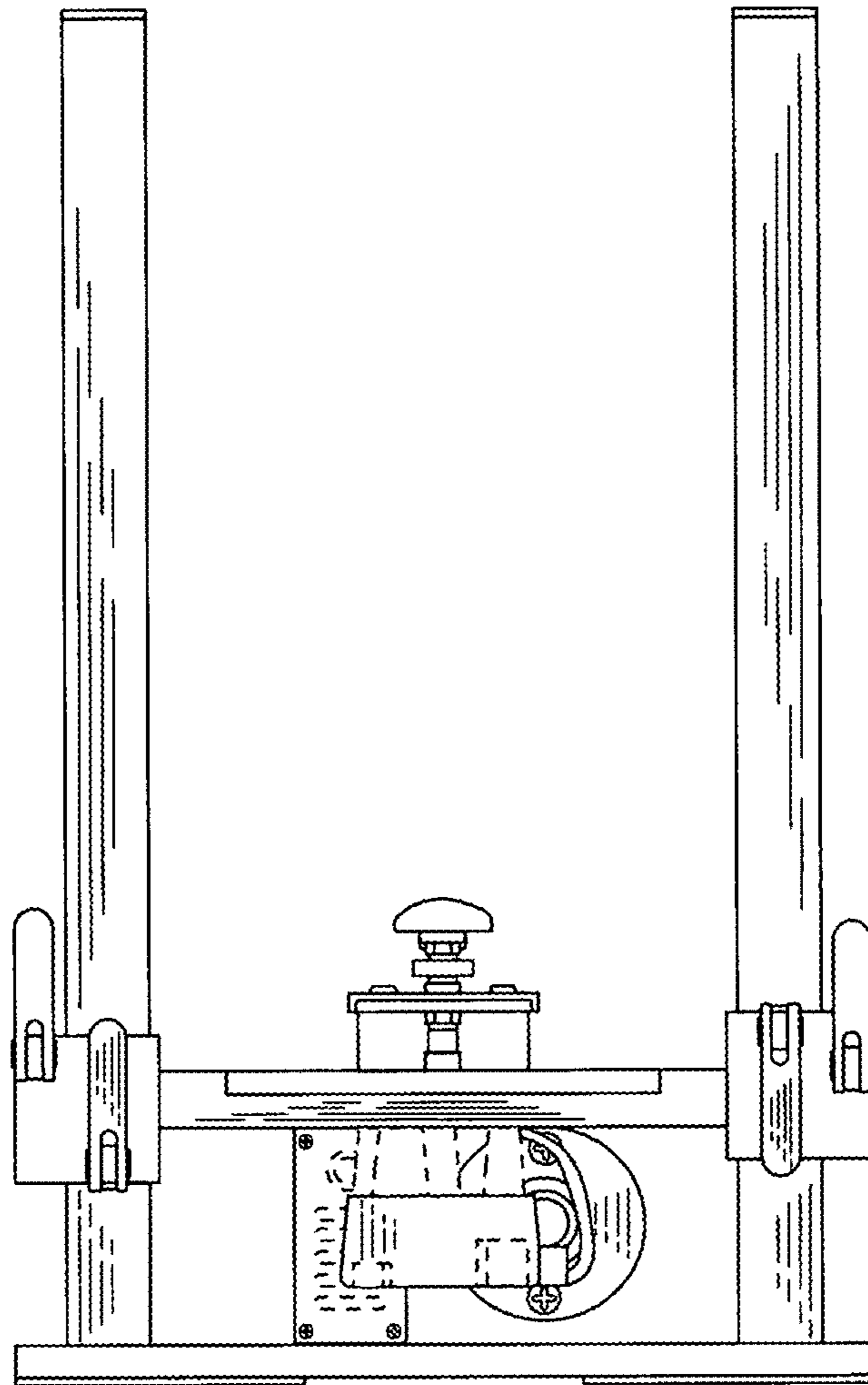


FIG.4

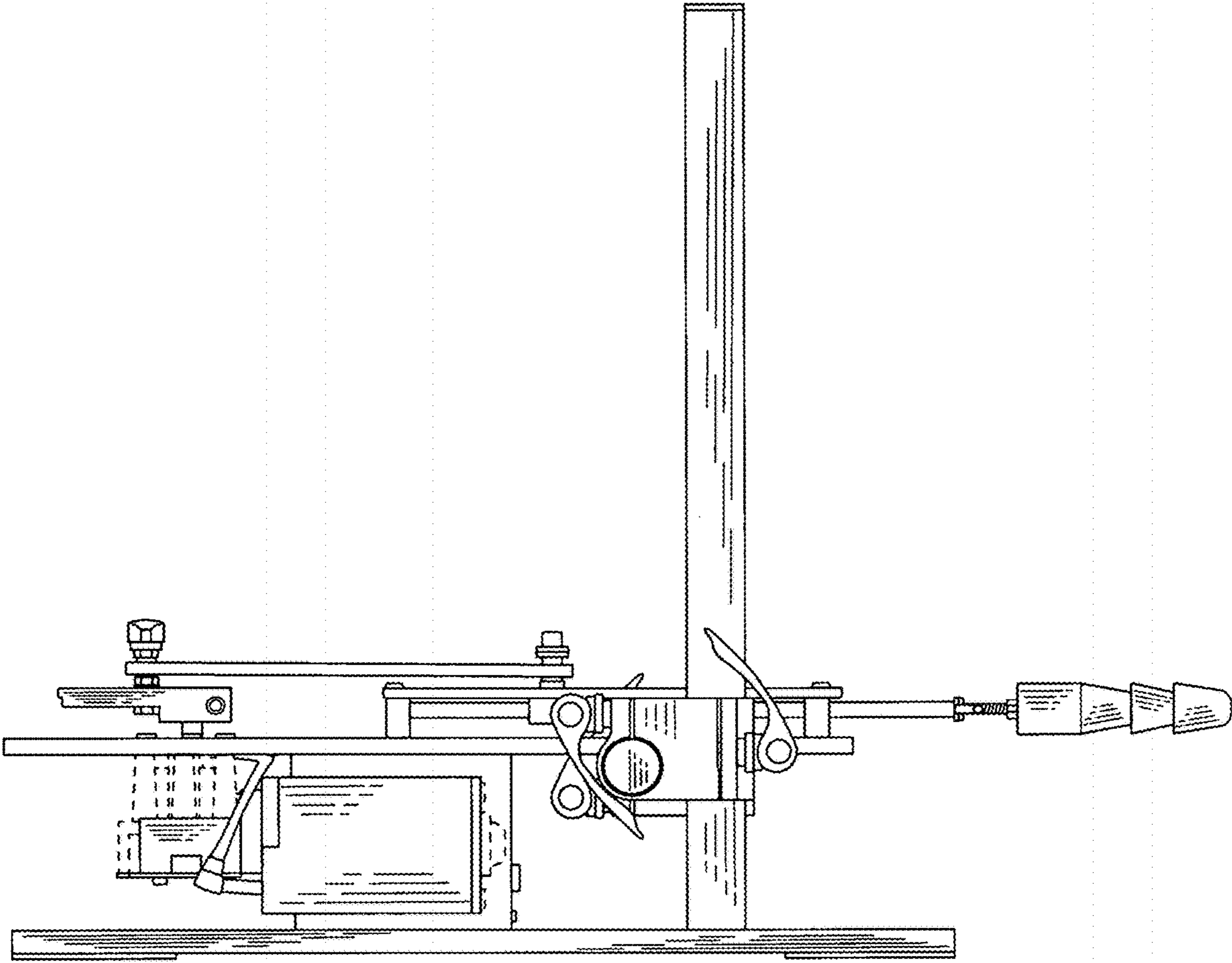


FIG.5

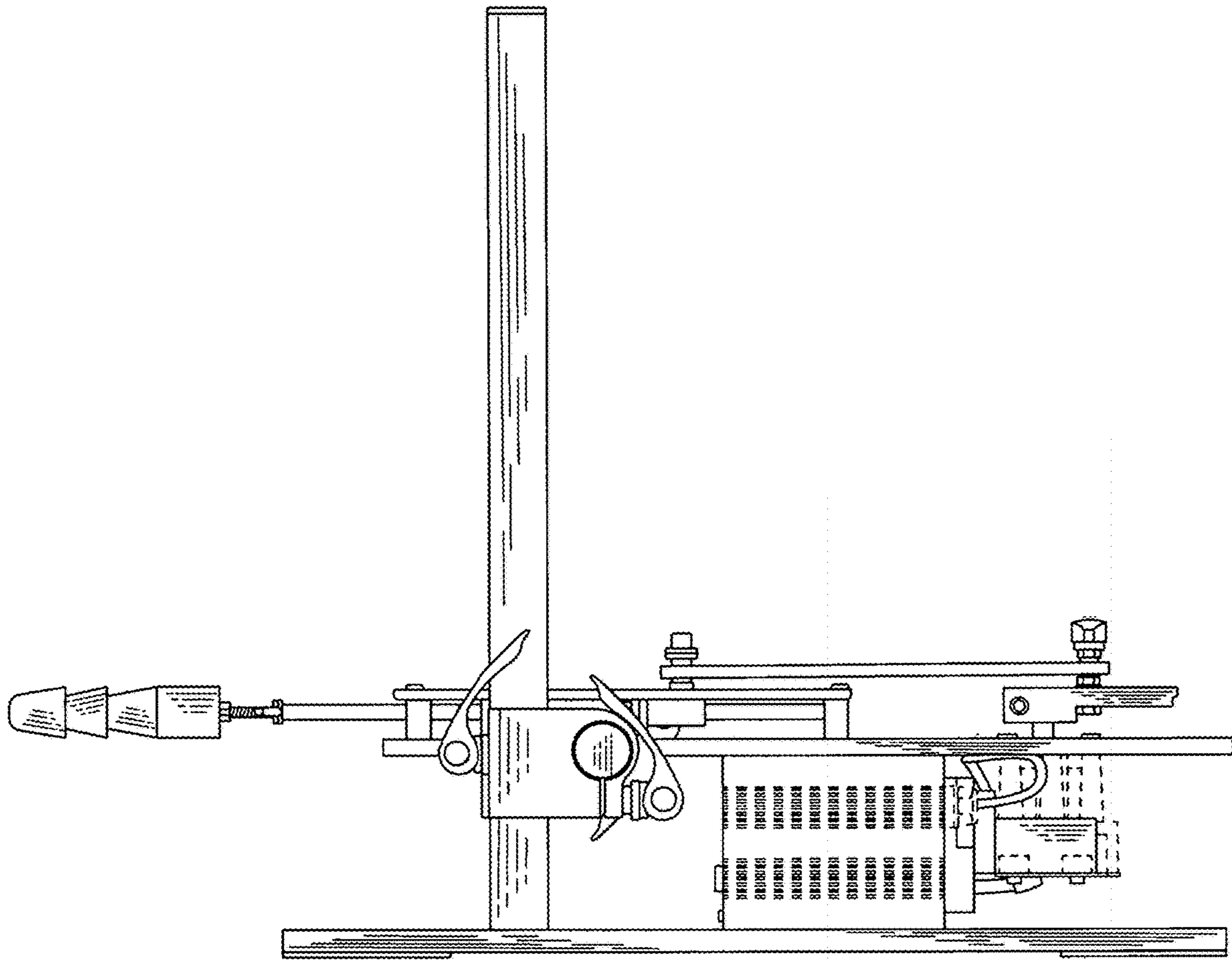


FIG. 6

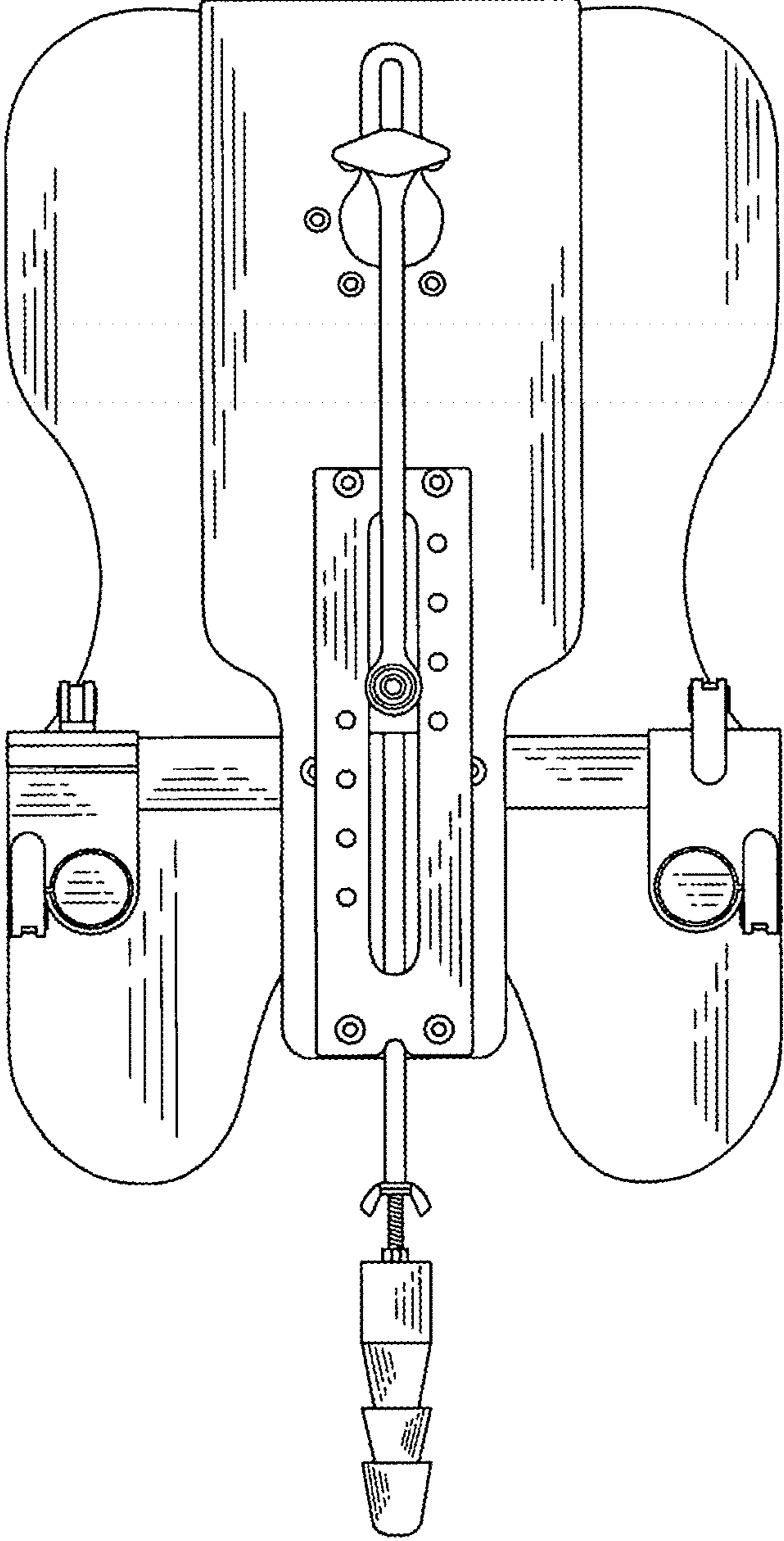


FIG. 7

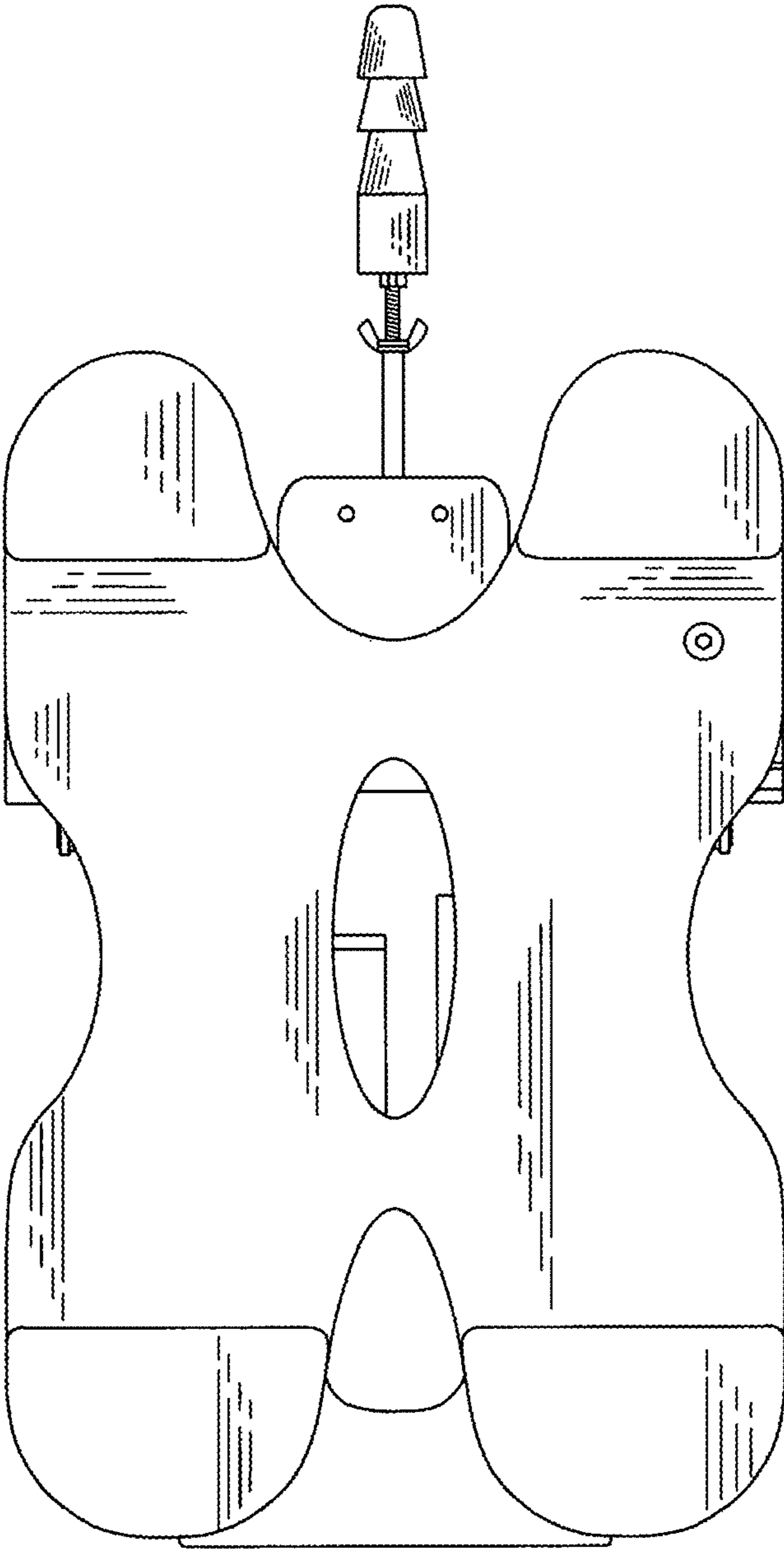


FIG. 8