



US00D921208S

(12) **United States Design Patent**  
**Kwon**

(10) **Patent No.:** **US D921,208 S**  
(45) **Date of Patent:** **\*\* Jun. 1, 2021**

(54) **STRAW FOR FEEDING BOTTLE**  
(71) Applicant: **UPIS CO., LTD.**, Seoul (KR)  
(72) Inventor: **Yeon Ok Kwon**, Seoul (KR)  
(73) Assignee: **UPIS Co., Ltd.**, Seoul (KR)  
(\*\*) Term: **15 Years**

(21) Appl. No.: **29/685,838**

(22) Filed: **Apr. 1, 2019**

(30) **Foreign Application Priority Data**

Mar. 4, 2019 (KR) ..... 30-2019-0009549

(51) **LOC (13) Cl.** ..... **24-04**

(52) **U.S. Cl.**  
USPC ..... **D24/193; D7/300.2**

(58) **Field of Classification Search**  
USPC ..... D9/682-694, 695, 723, 724, 729, 434,  
D9/435, 436, 439, 440, 448, 449;  
D7/300.2, 312, 313, 387, 391, 392, 392.1,  
D7/396.1, 396.2, 397, 398; D23/213,  
D23/214, 218, 221, 223, 224, 226, 227,  
D23/233, 255, 259; D28/91.1; D24/112,  
D24/113, 115, 127, 133, 193, 194, 196,  
D24/199, 222

CPC ... B65D 1/00; B65D 1/02; B65D 1/10; B65D  
1/46; B65D 39/00; B65D 39/0047; B65D  
2585/56; B65D 2585/545; B65D 47/00;  
B65D 47/06; B65D 47/08; B65D 41/00;  
B65D 41/38; B65D 41/56; B65D 41/62;  
B65D 5/46; A61N 5/0603; A61M 11/02;  
A61M 11/006; A61J 1/00; A61J 1/1412;  
B05B 7/065; B05B 11/3045; B05B  
11/3046; B05B 7/0037; B05B 1/02;  
A47K 5/16; A47K 5/1205; A47K 5/1217;  
A47K 5/14

See application file for complete search history.

(56) **References Cited**

U.S. PATENT DOCUMENTS

D32,085 S *	1/1900	Estes	.....	D9/439
D283,775 S *	5/1986	Campbell	.....	D7/396.2
D524,904 S *	7/2006	Hoernig	.....	D23/213
D530,150 S *	10/2006	Eddy	.....	D7/396.6
D535,559 S *	1/2007	Kehoe	.....	D9/440
D559,952 S *	1/2008	Bickler	.....	D23/213
D684,009 S *	6/2013	Bell	.....	D7/397
D712,535 S *	9/2014	Du	.....	D24/115
D725,282 S *	3/2015	Lo	.....	D24/194
D736,906 S *	8/2015	Schultz	.....	D24/108
D752,234 S *	3/2016	Moore	.....	D24/196
D774,626 S *	12/2016	McMurtry	.....	D23/227
D775,724 S *	1/2017	Pagliacci	.....	D24/115
D779,056 S *	2/2017	Brannon	.....	D24/127
D793,185 S *	8/2017	McConnell	.....	D7/708
10,307,337 B2 *	6/2019	Davis	.....	A61L 29/06
D861,896 S *	10/2019	Reed	.....	D24/196

(Continued)

*Primary Examiner* — Catherine S Posthauer

(74) *Attorney, Agent, or Firm* — Novick, Kim & Lee,  
PLLC; Sang Ho Lee; Hyun Woo Shin

(57) **CLAIM**

I claim the ornamental design for a straw for feeding bottle,  
as shown and described.

**DESCRIPTION**

FIG. 1 is a perspective view of a straw for feeding bottle,  
showing my new design;

FIG. 2 is a front elevational view thereof;

FIG. 3 is a rear elevational view thereof;

FIG. 4 is a left side elevational view thereof;

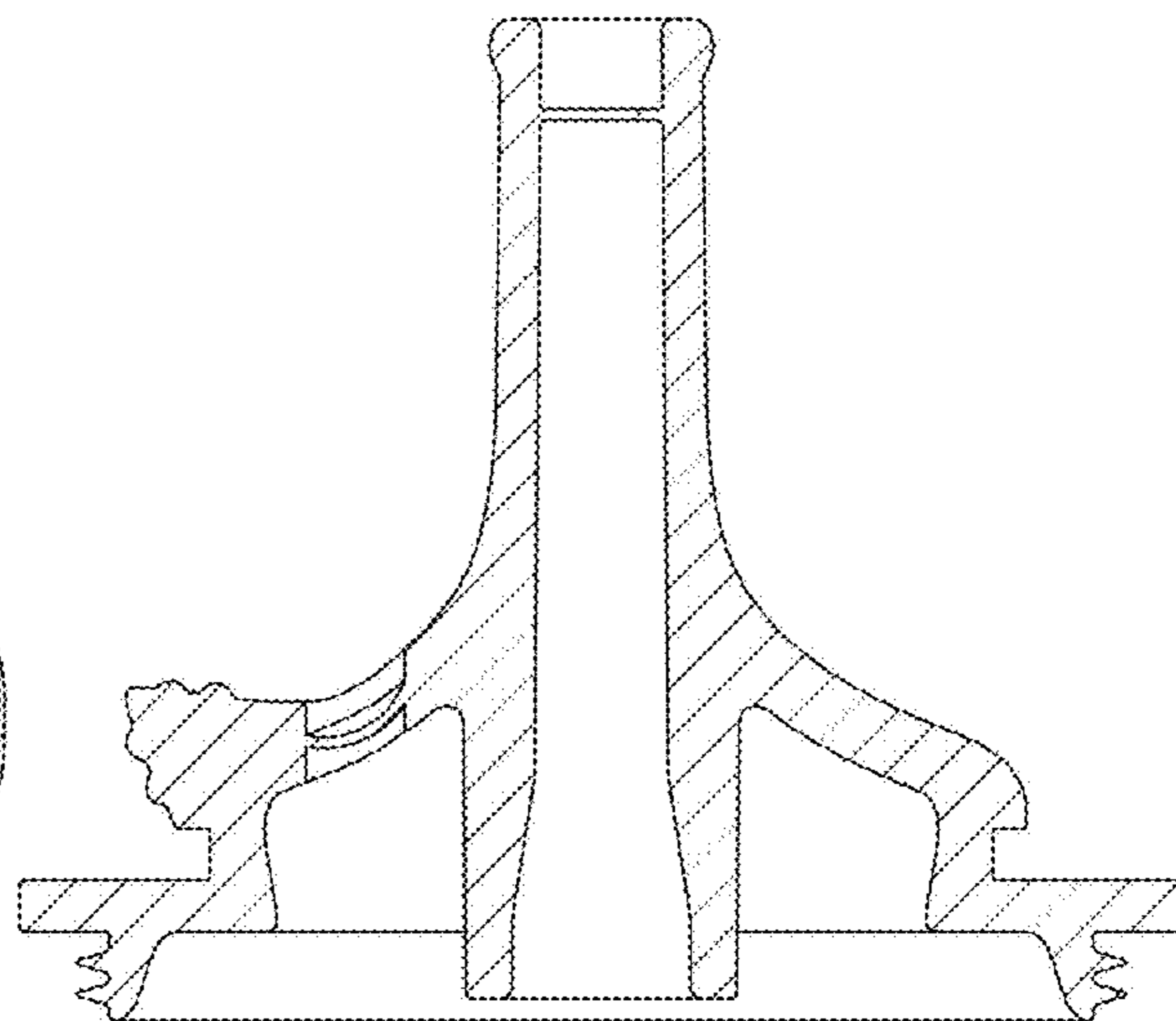
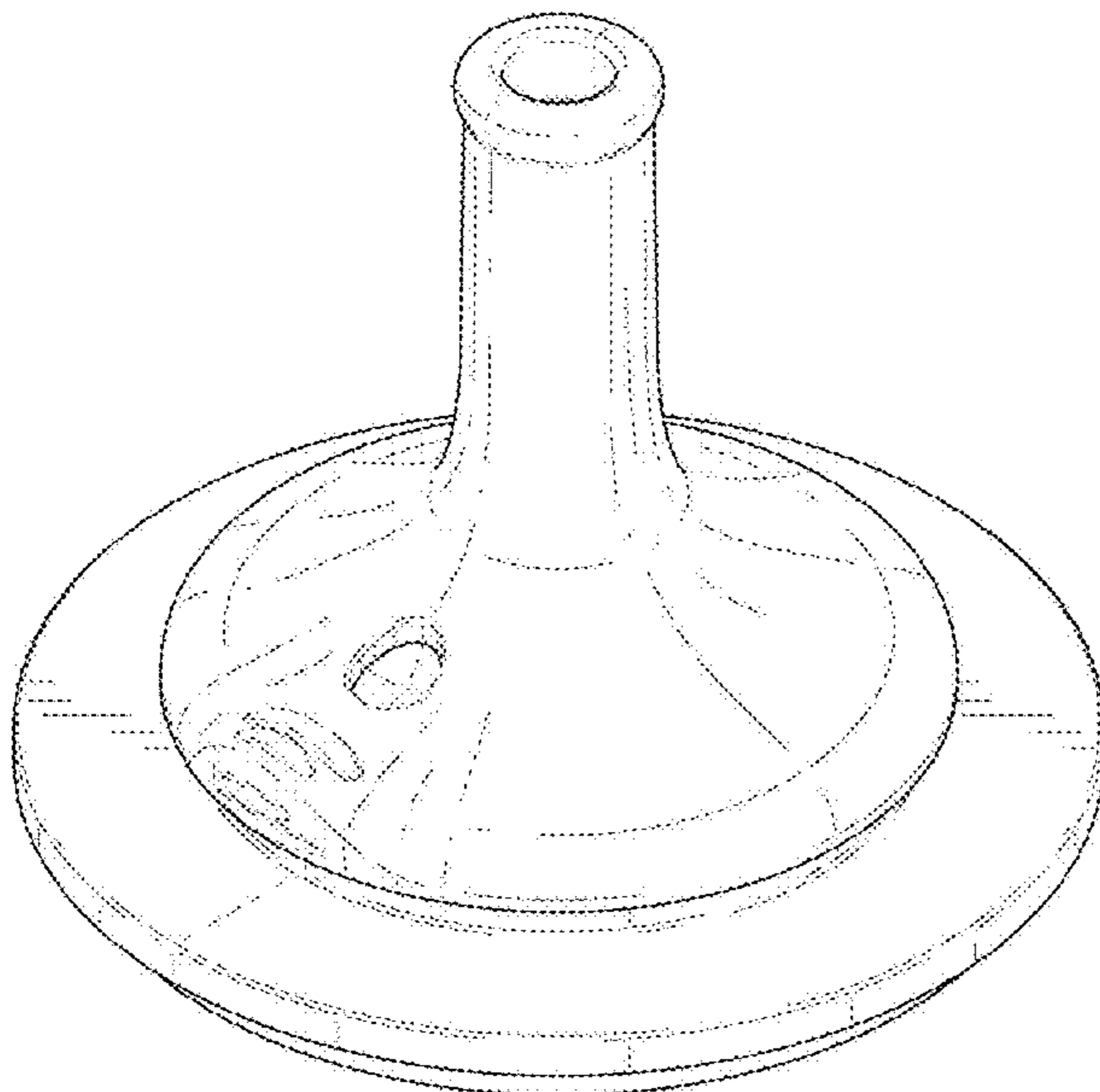
FIG. 5 is a right side elevational view thereof;

FIG. 6 is a sectional view thereof taken along line 6-6 in  
FIG. 2;

FIG. 7 is a top plan view thereof; and,

FIG. 8 is a bottom plan view thereof.

**1 Claim, 8 Drawing Sheets**



(56)

**References Cited**

U.S. PATENT DOCUMENTS

D863,548 S \* 10/2019 Partsch, IV ..... D24/112  
D869,651 S \* 12/2019 Du ..... D24/115  
D890,939 S \* 7/2020 Viale ..... D24/197  
2017/0312181 A1 \* 11/2017 Davis ..... A61M 39/10

\* cited by examiner

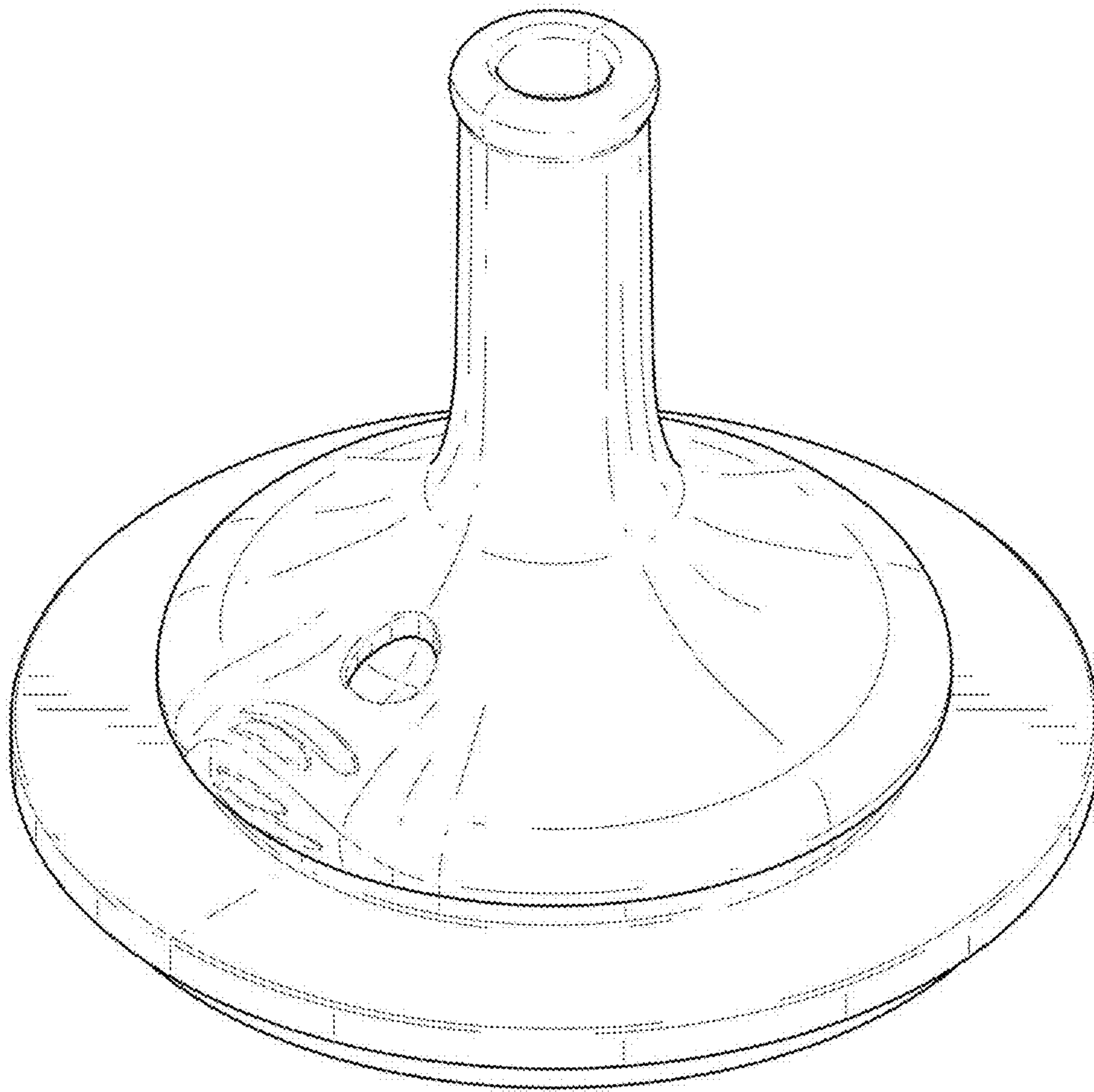


FIG. 1

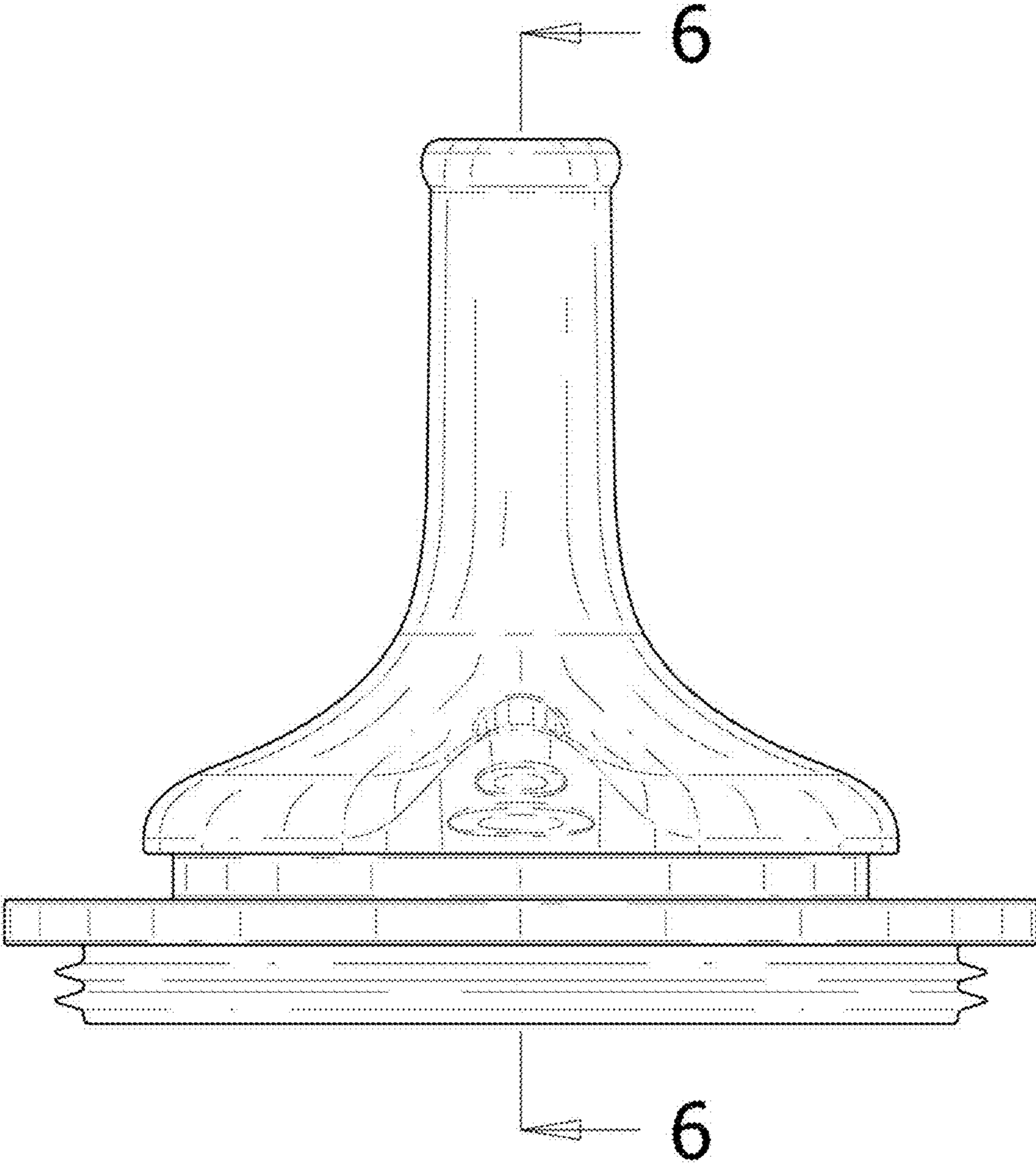


FIG. 2

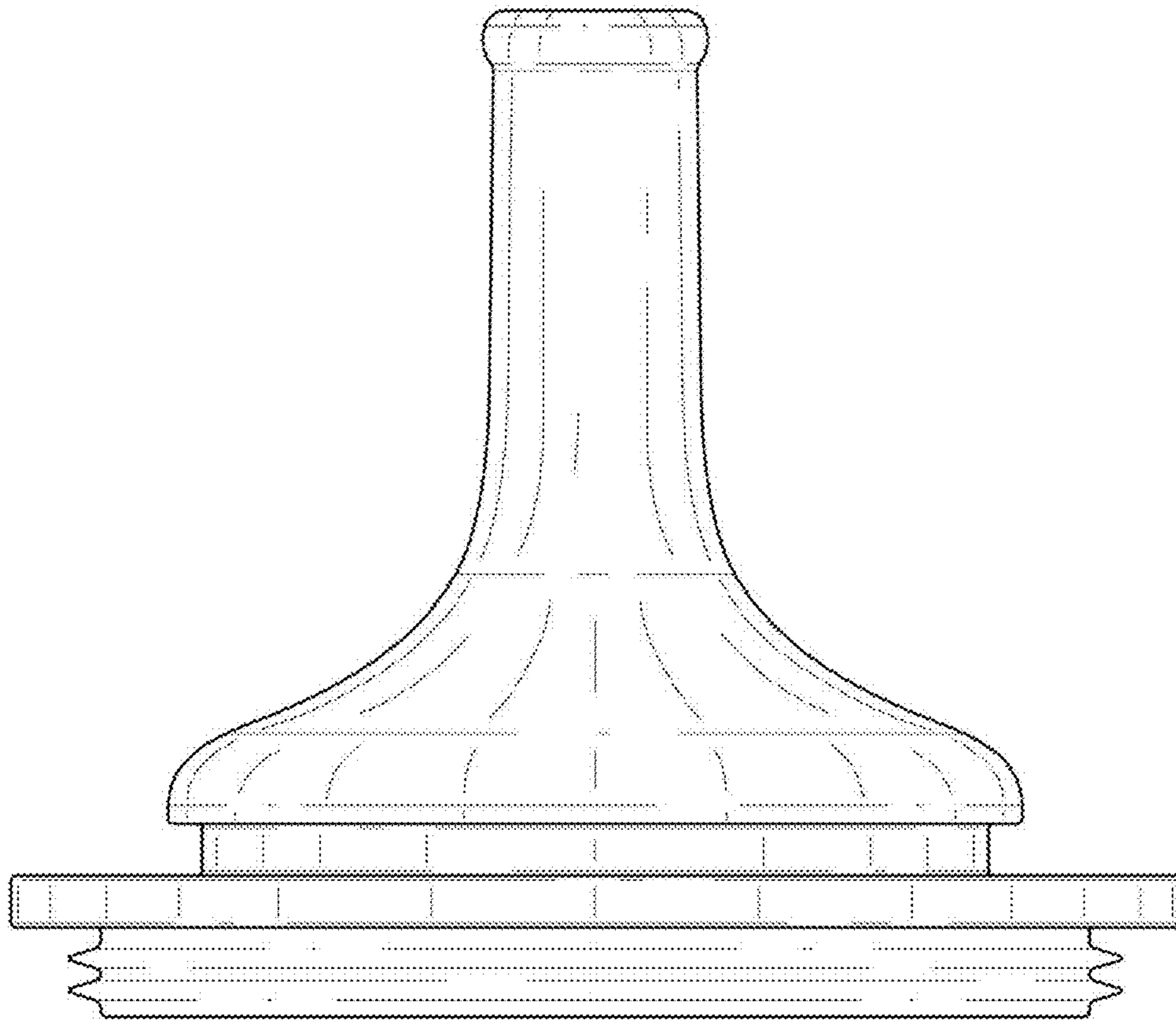


FIG. 3

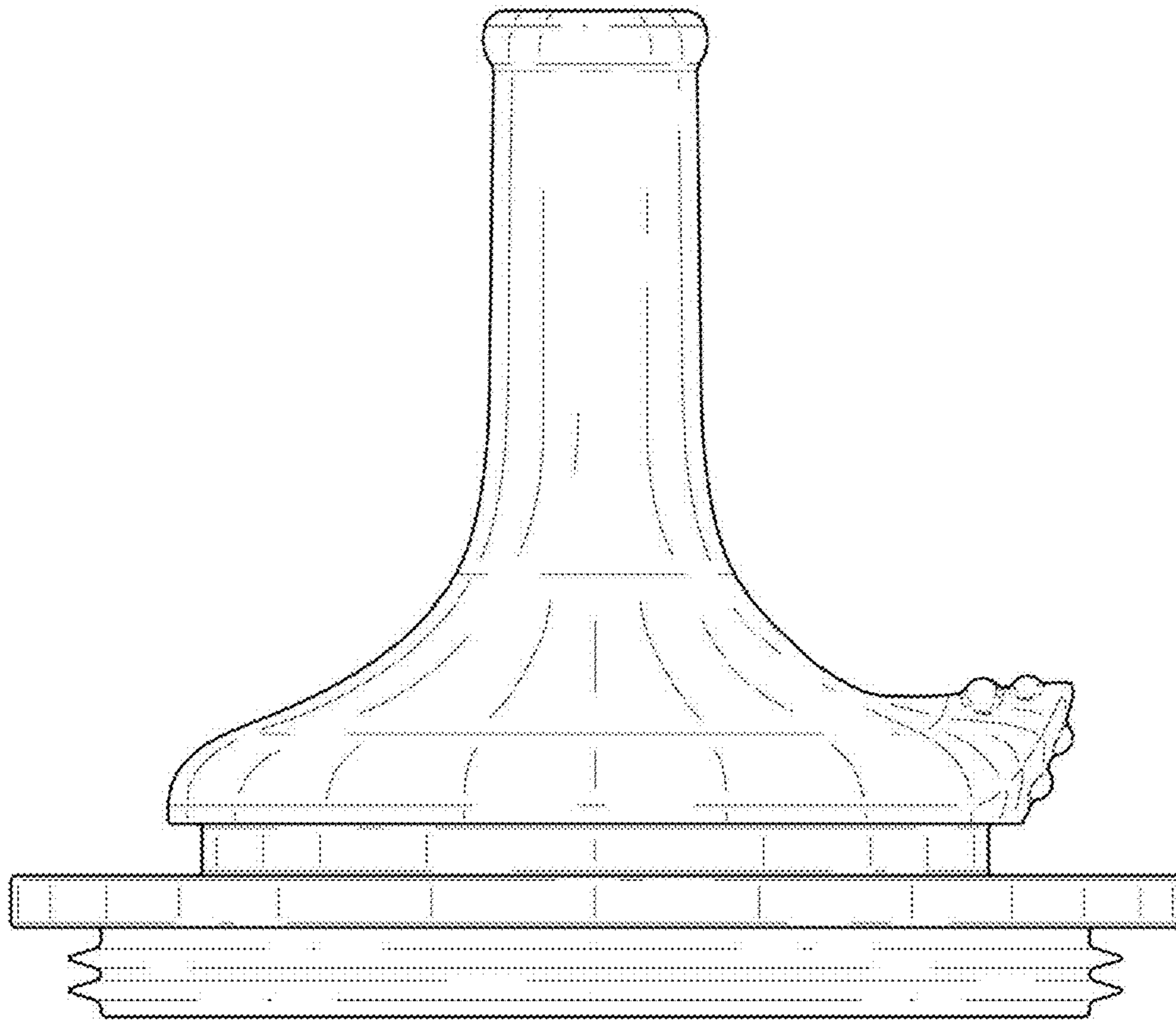


FIG. 4

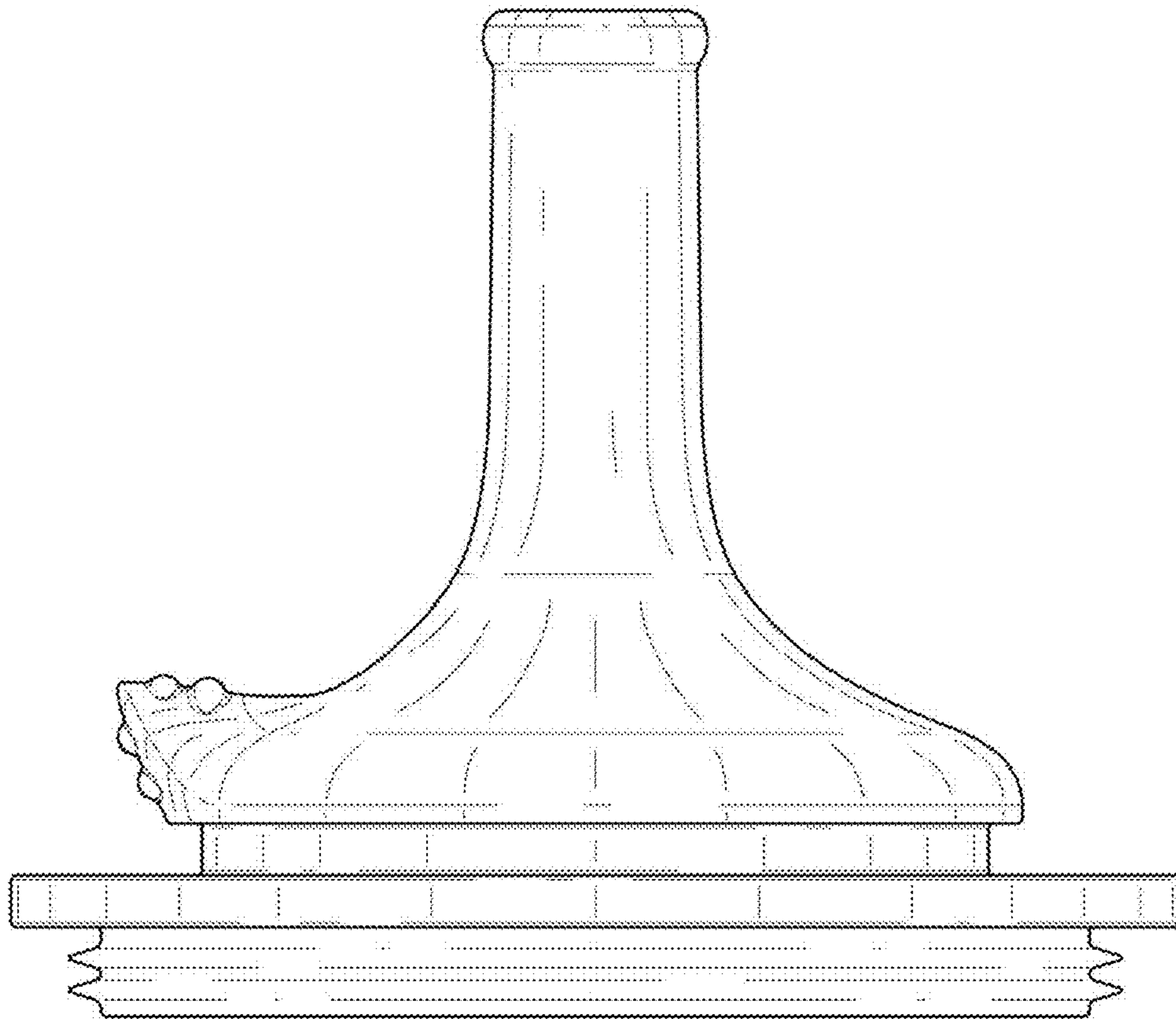


FIG. 5

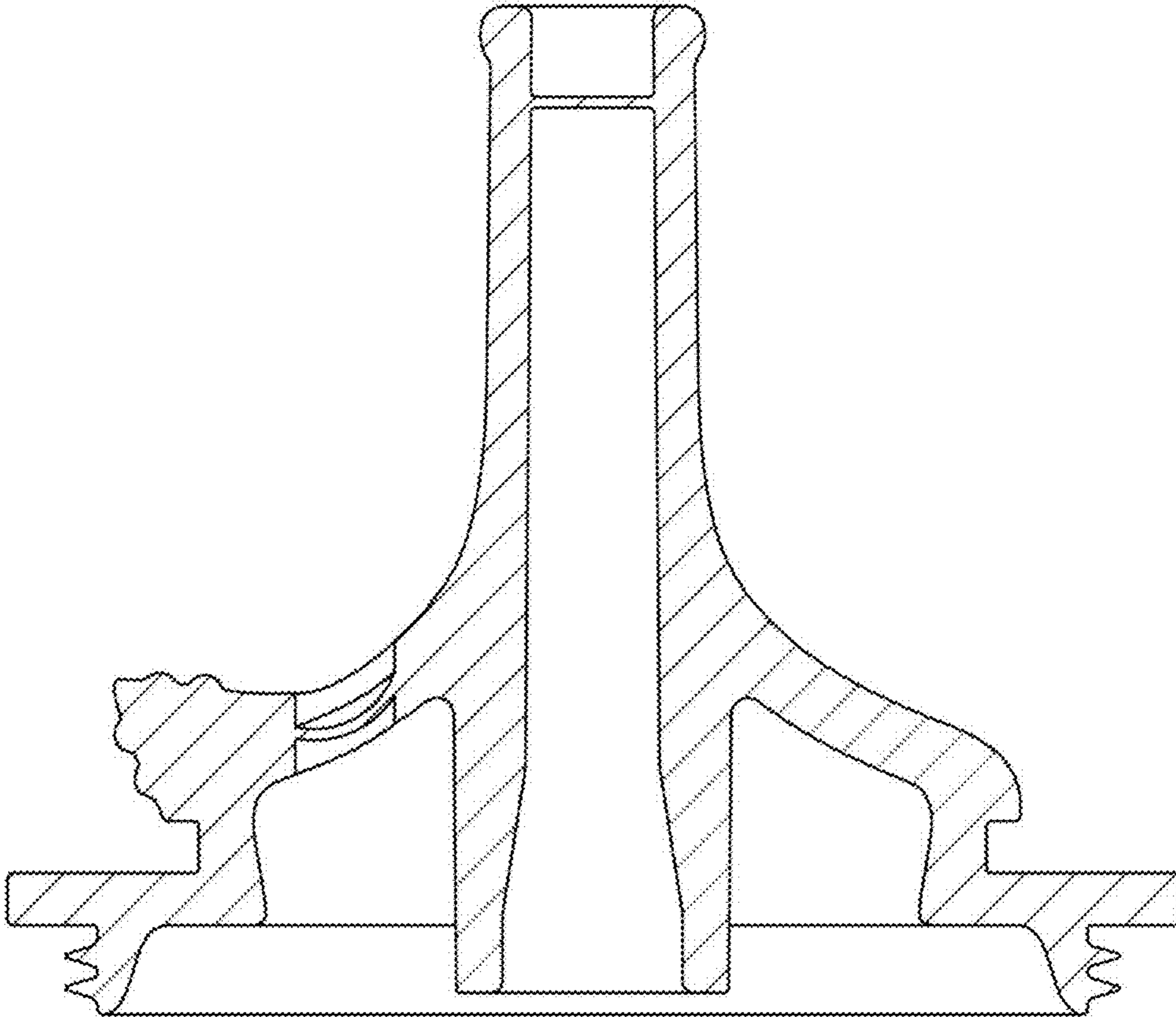


FIG. 6



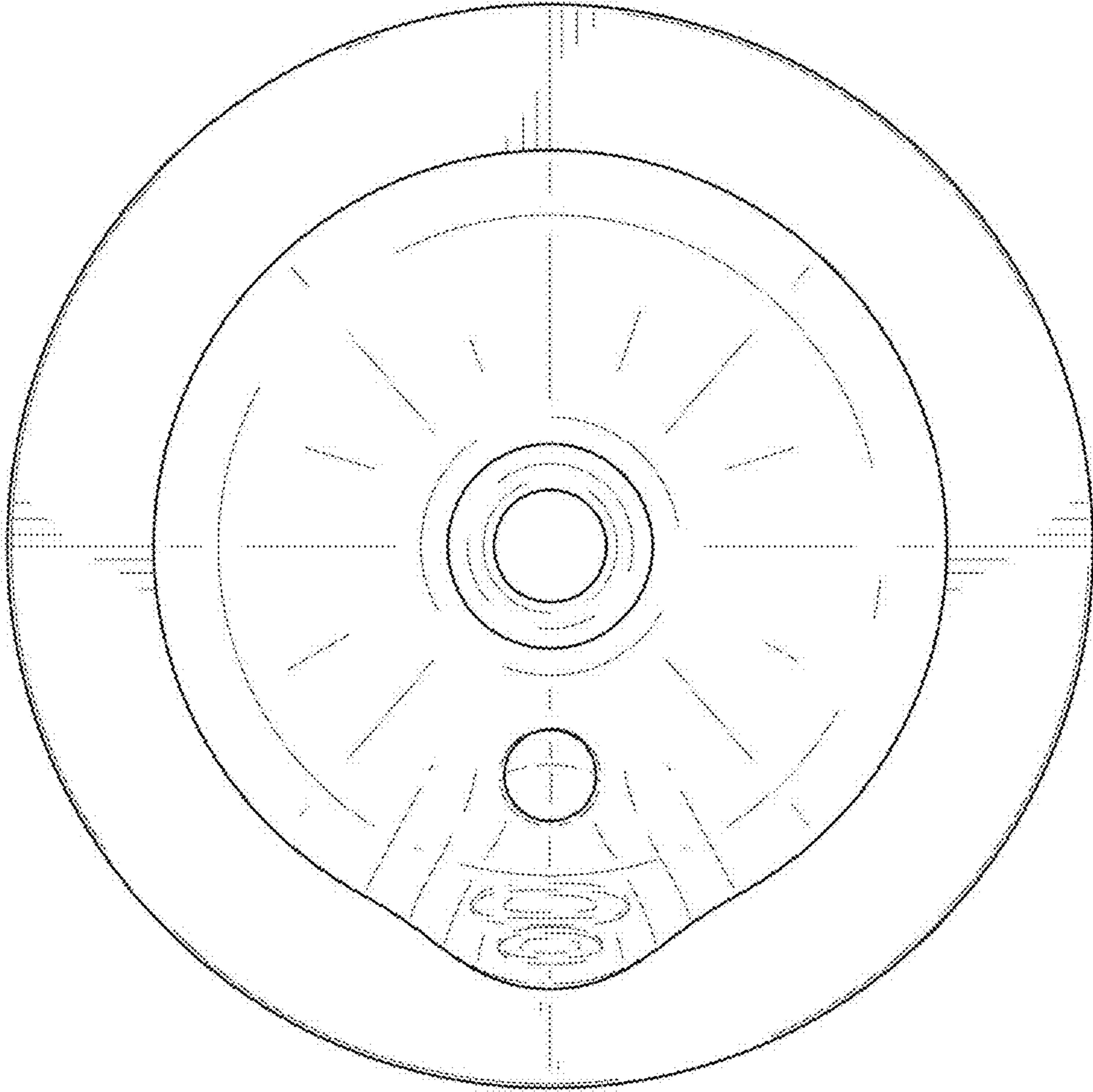


FIG. 7

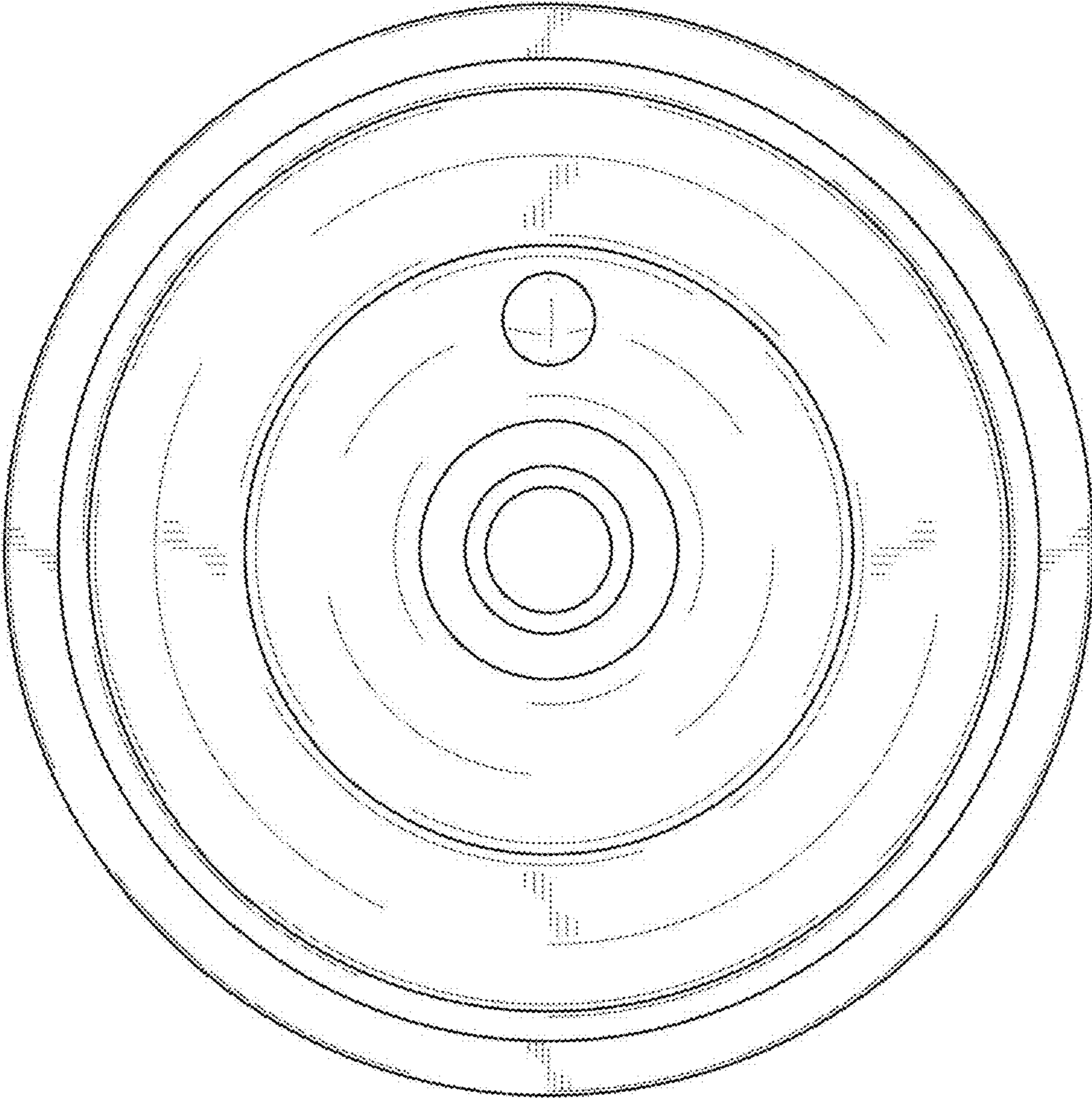


FIG. 8