



US00D921200S

(12) **United States Design Patent**  
**Radzinsky**

(10) **Patent No.:** **US D921,200 S**

(45) **Date of Patent:** **\*\* Jun. 1, 2021**

(54) **TUBE CLAMP FOR PROSTHESIS**

A61F 2002/6657; A61F 2002/665; A61F 2/78; A61L 27/00; A61L 2430/38; G06T 2207/30052

(71) Applicant: **Vladimir Radzinsky**, Torrance, CA (US)

See application file for complete search history.

(72) Inventor: **Vladimir Radzinsky**, Torrance, CA (US)

(56) **References Cited**

(\*\*) Term: **15 Years**

U.S. PATENT DOCUMENTS

(21) Appl. No.: **29/711,597**

D310,556 S \* 9/1990 Russell ..... D23/265  
D582,763 S \* 12/2008 Riedel ..... D8/397  
(Continued)

(22) Filed: **Oct. 31, 2019**

OTHER PUBLICATIONS

(51) **LOC (13) Cl.** ..... **24-03**

(52) **U.S. Cl.**  
USPC ..... **D24/155**; D8/394

Orliman, "Double Female Pyramid Adapter", first available Apr. 2015. (<https://www.orliman.com/pdf/es/instrucciones/4H04A-4H04C-4H04T.pdf>) (Year: 2015).\*

(58) **Field of Classification Search**

USPC ..... D2/896, 902, 905, 906, 907, 908, 919, D2/920, 921, 922, 923, 946, 947, 948, D2/949, 950, 951, 952, 953, 954, 960, D2/968, 980, 983; D8/349, 382, 387, 47, D8/388, 391, 392, 393, 394, 395, 396, D8/397, 398, 399, 721; D24/107, 133, D24/141, 143, 155, 171, 188, 190, 192, D24/213, 215

(Continued)

CPC . A61B 17/151; A61B 17/154; A61B 17/8095; A61B 17/7058; A61B 17/58; A61F 2/00; A61F 2/0009; A61F 2/0022; A61F 2/0063; A61F 2/0077; A61F 2002/0081; A61F 2002/0086; A61F 2002/009; A61F 2002/0091; A61F 2/28; A61F 2/30; A61F 2002/30108; A61F 2002/30112; A61F 2002/30125; A61F 2002/30151; A61F 2002/30153; A61F 2002/30154; A61F 2002/30158; A61F 2002/30199; A61F 2002/30224; A61F 2002/30263; A61F 2002/30266; A61F 2002/30281; A61F 2/38; A61F 2/42; A61F 2/4225; A61F 2/44; A61F 2/4405; A61F 2/441; A61F 2002/4415; A61F 2/442; A61F 2/4425; A61F 2002/443; A61F 2/446; A61F 2/447; A61F 2/60; A61F 2002/6614;

*Primary Examiner* — April Rivas  
*Assistant Examiner* — Justin A Johnson  
(74) *Attorney, Agent, or Firm* — Warren M. Pate; Pate Peterson, PLLC

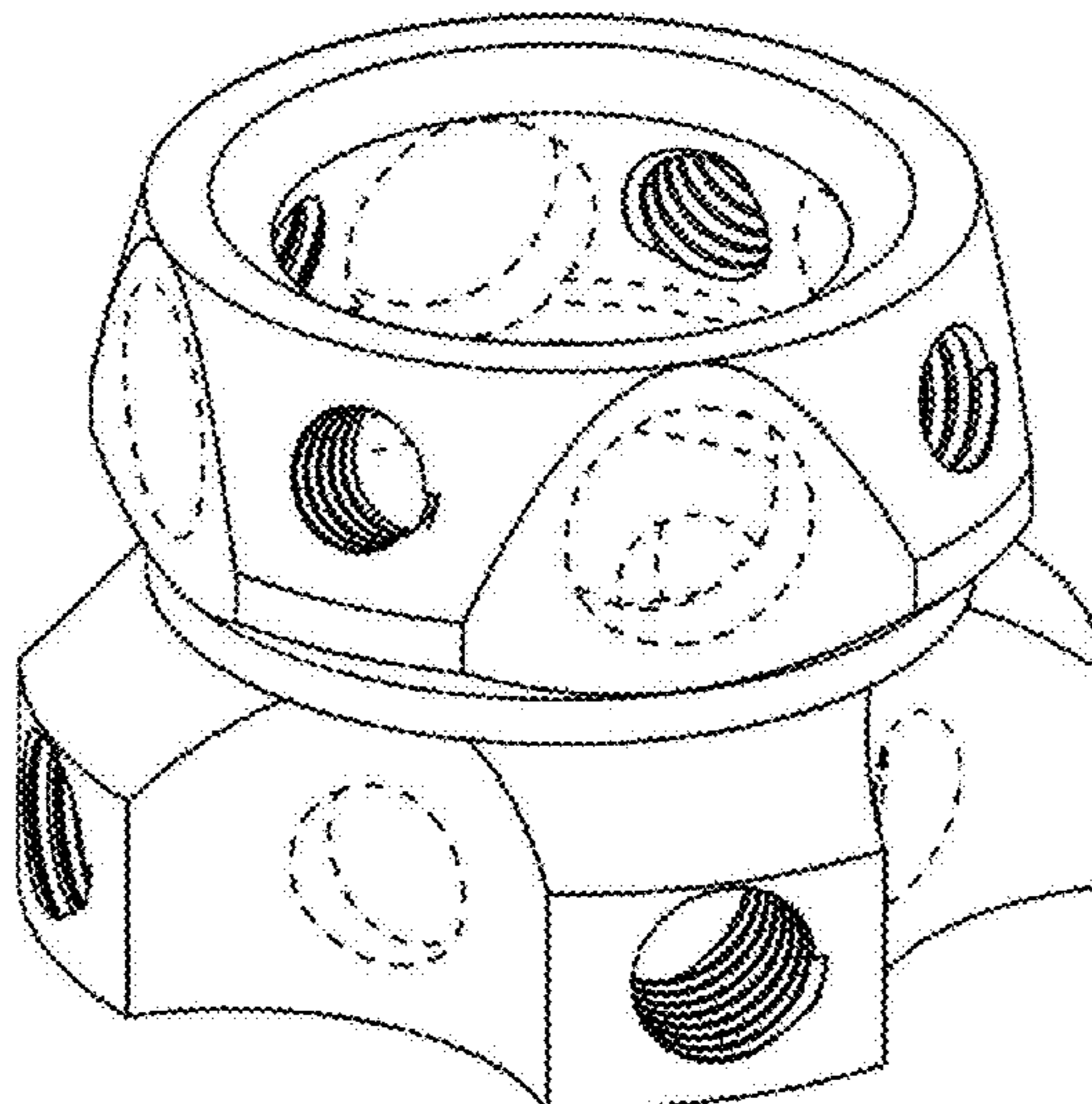
(57) **CLAIM**

The ornamental design for a tube clamp for prosthesis, as shown and described.

**DESCRIPTION**

FIG. 1 is a perspective view of a tube clamp for prosthesis in accordance with my new design;  
FIG. 2 is another perspective view thereof;  
FIG. 3 is a first side view thereof, which is identical to the opposite side view thereof, the front view thereof, and the back view thereof;  
FIG. 4 is a top view thereof; and,  
FIG. 5 is a bottom view thereof.  
Any broken lines in the accompanying drawings represent portions of the tube clamp for prosthesis that form no part of the claimed design.

**1 Claim, 5 Drawing Sheets**



(56)

**References Cited**

U.S. PATENT DOCUMENTS

8,646,733 B2 2/2014 Radzinsky  
 D706,126 S \* 6/2014 Orow ..... D8/397  
 D738,471 S \* 9/2015 Melo ..... D23/262  
 9,155,635 B2 10/2015 Radzinsky  
 9,693,884 B1 \* 7/2017 Morgan ..... A61F 2/78  
 2012/0018594 A1 \* 1/2012 Radzinsky ..... A61F 2/76  
 248/74.1  
 2013/0006387 A1 \* 1/2013 Atteraas ..... A61F 2/76  
 623/27  
 2014/0067084 A1 \* 3/2014 Soss ..... A61F 2/80  
 623/34  
 2014/0324191 A1 \* 10/2014 Gottlieb ..... A61F 2/5046  
 623/33  
 2015/0202058 A1 7/2015 Radzinsky  
 2015/0202059 A1 7/2015 Radzinsky  
 2015/0257901 A1 9/2015 Radzinsky  
 2016/0151174 A1 6/2016 Radzinsky

2016/0367371 A1 \* 12/2016 de Beaubien ..... A61F 2/40  
 2017/0304086 A1 \* 10/2017 Kuiken ..... A61F 2/80  
 2020/0121477 A1 \* 4/2020 Lindhe ..... A61F 2/80  
 2020/0368041 A1 \* 11/2020 Beerens ..... A61F 2/78

OTHER PUBLICATIONS

Freedom Innovations, "Pyramid, Rotating, Female", first available Dec. 8, 2018. (<https://web.archive.org/web/20151208203810/https://www.freedom-innovations.com/pyramid-rotating-female/>) (Year: 2018).\*

Twitter, "Ti-Med, Inc.", first available Oct. 31, 2019. (<https://twitter.com/TiMedInc/status/1189956448240857088>) (Year: 2019).\*

ST&G Corporation, "Rotating Receiver", first accessed Dec. 3, 2020. (<https://stngco.com/product-details/1216/>) (Year: 2020).\*

Alibaba, "Titanium Tube Clamp Adapter", first accessed Dec. 3, 2020. ([https://www.alibaba.com/product-detail/Titanium-Tube-Clamp-Adapter-for-leg\\_60751570508.html](https://www.alibaba.com/product-detail/Titanium-Tube-Clamp-Adapter-for-leg_60751570508.html)) (Year: 2020).\*

\* cited by examiner

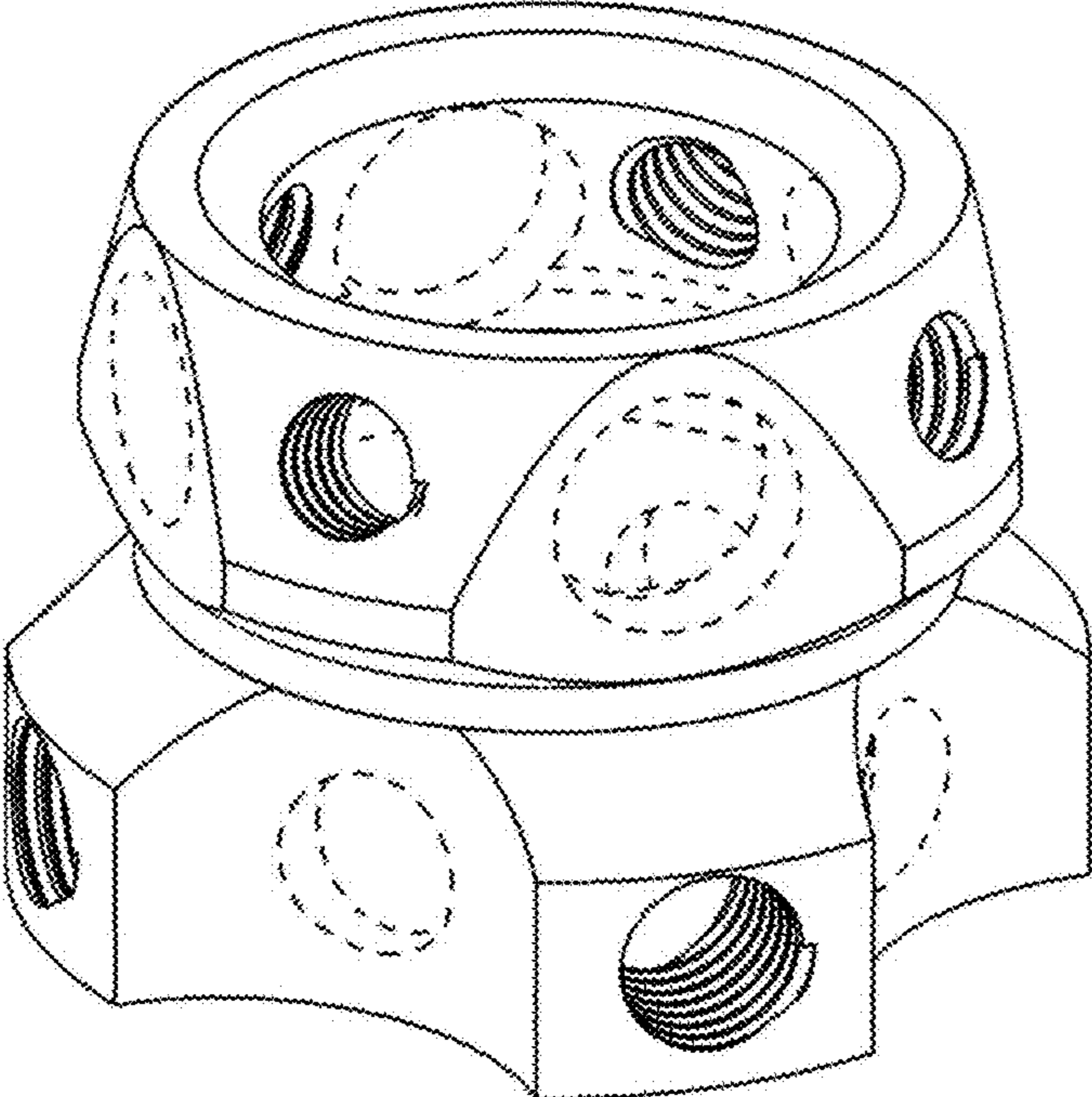


FIG. 1

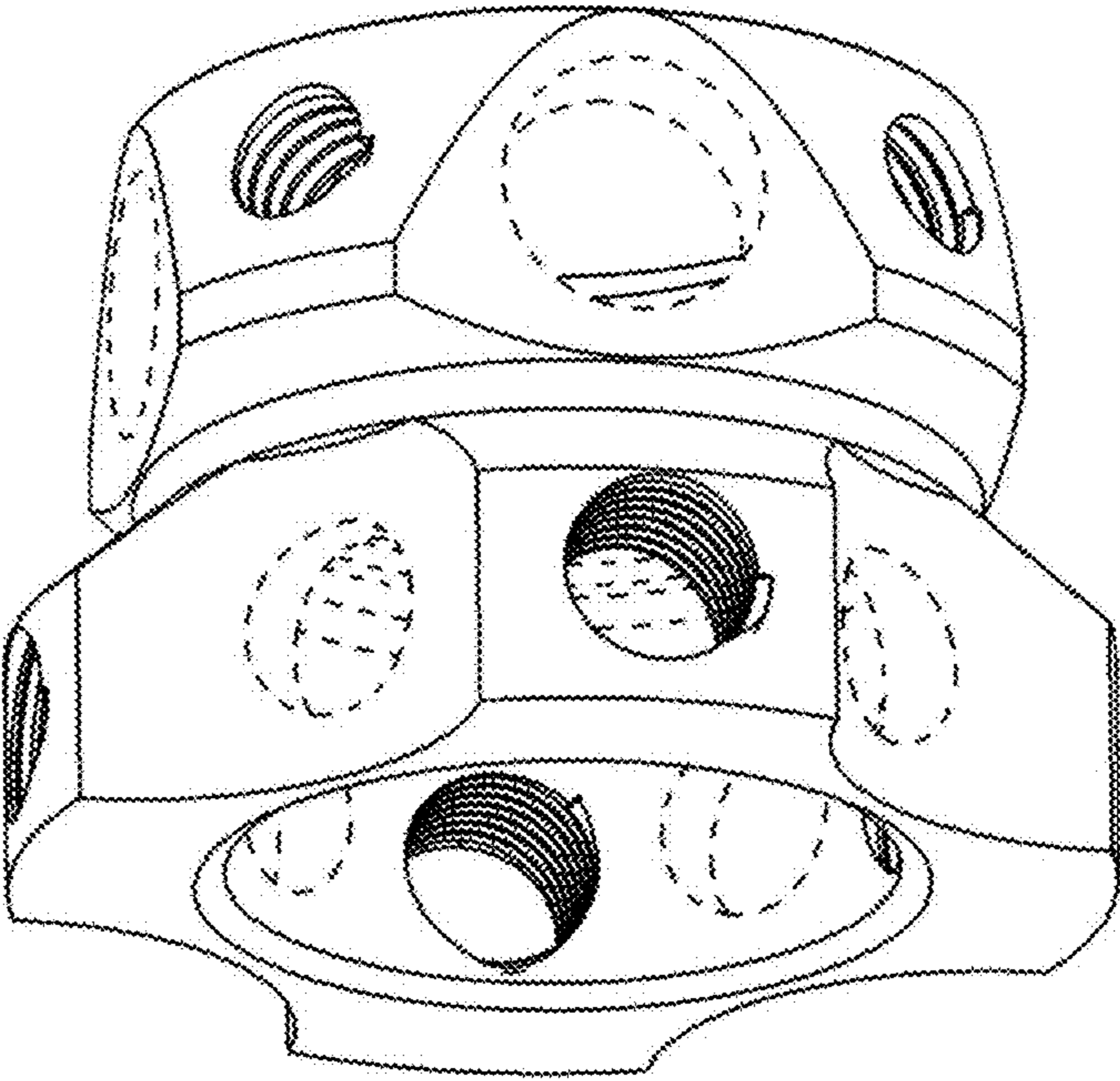


FIG. 2

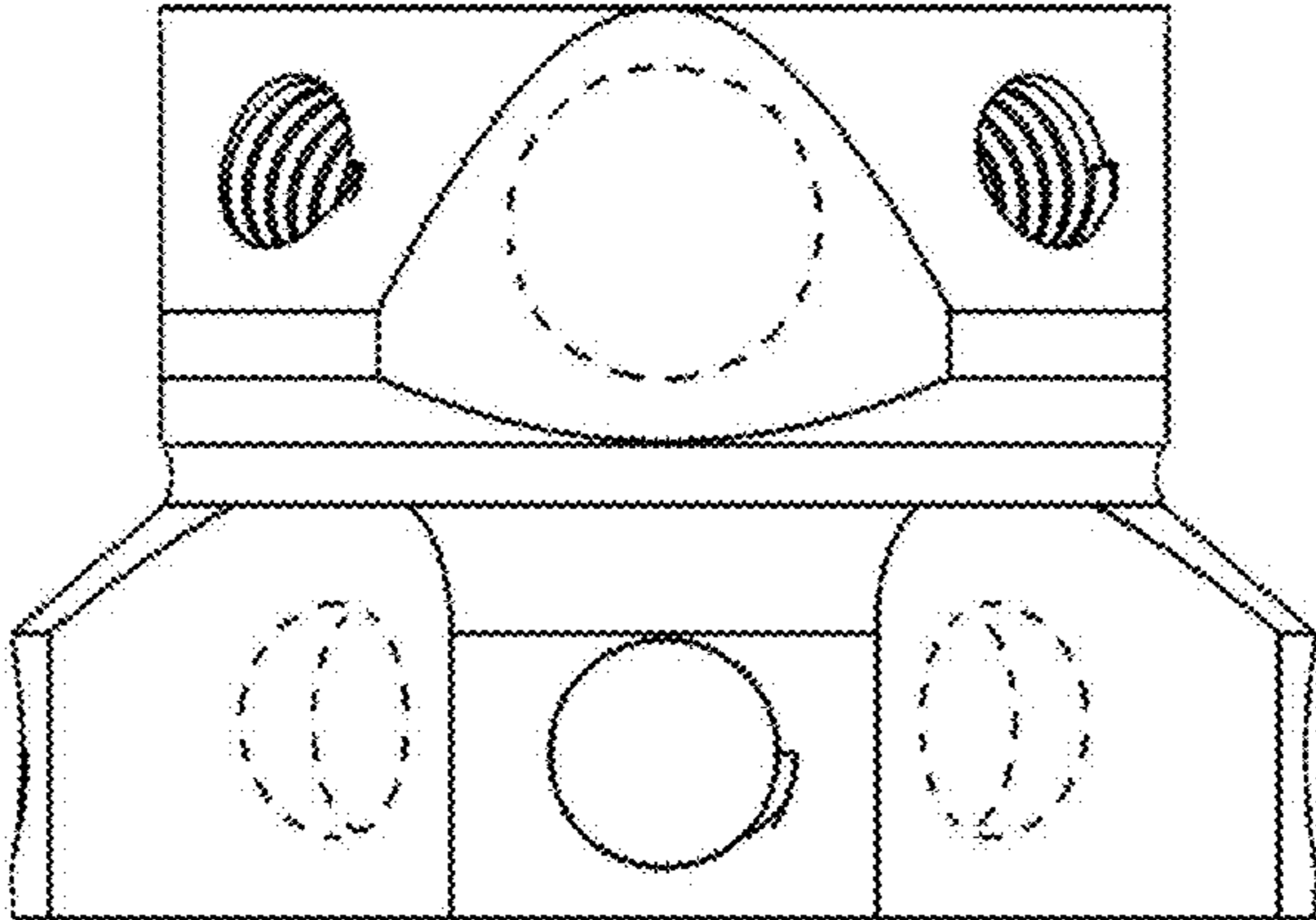


FIG. 3

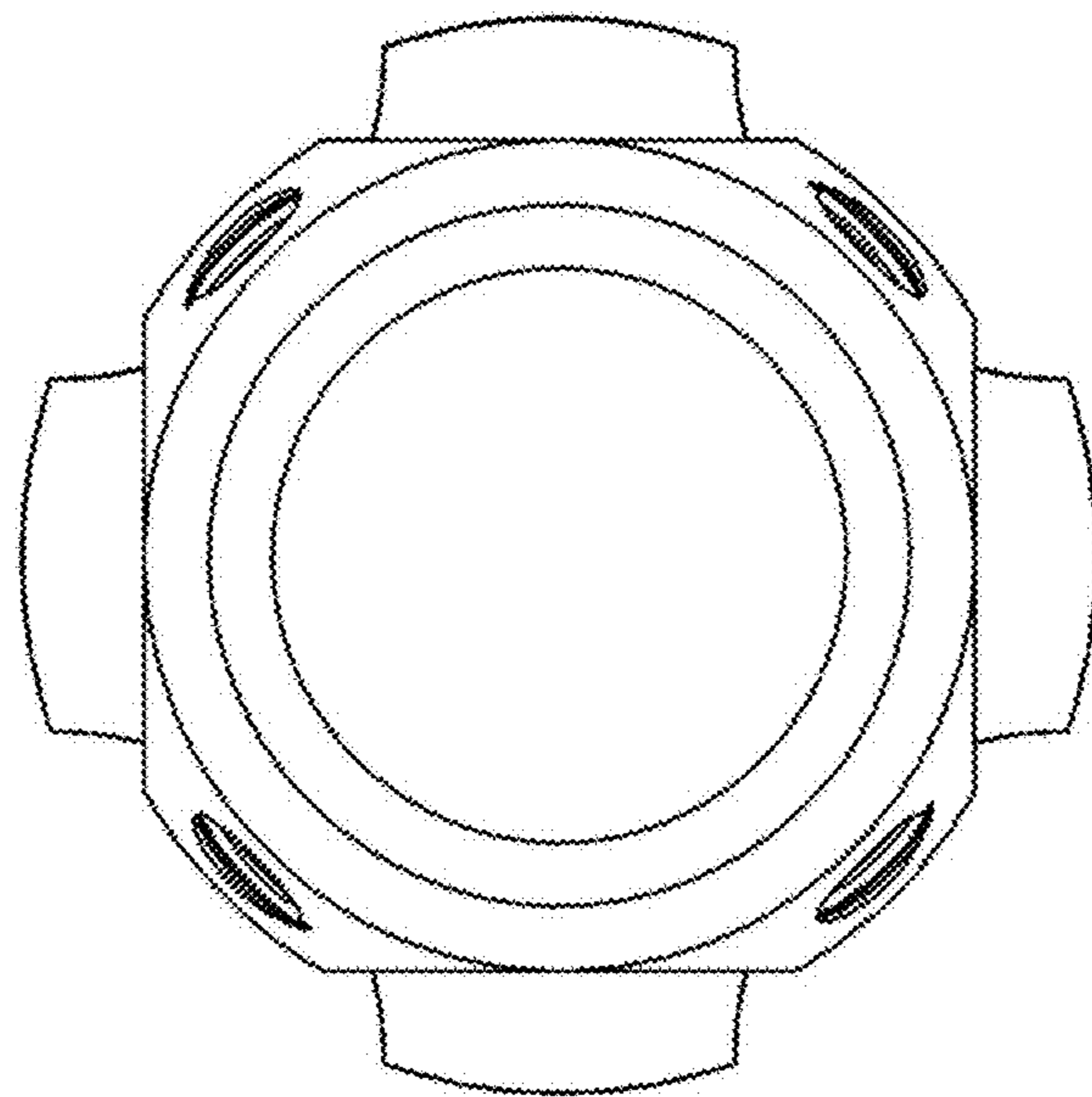


FIG. 4

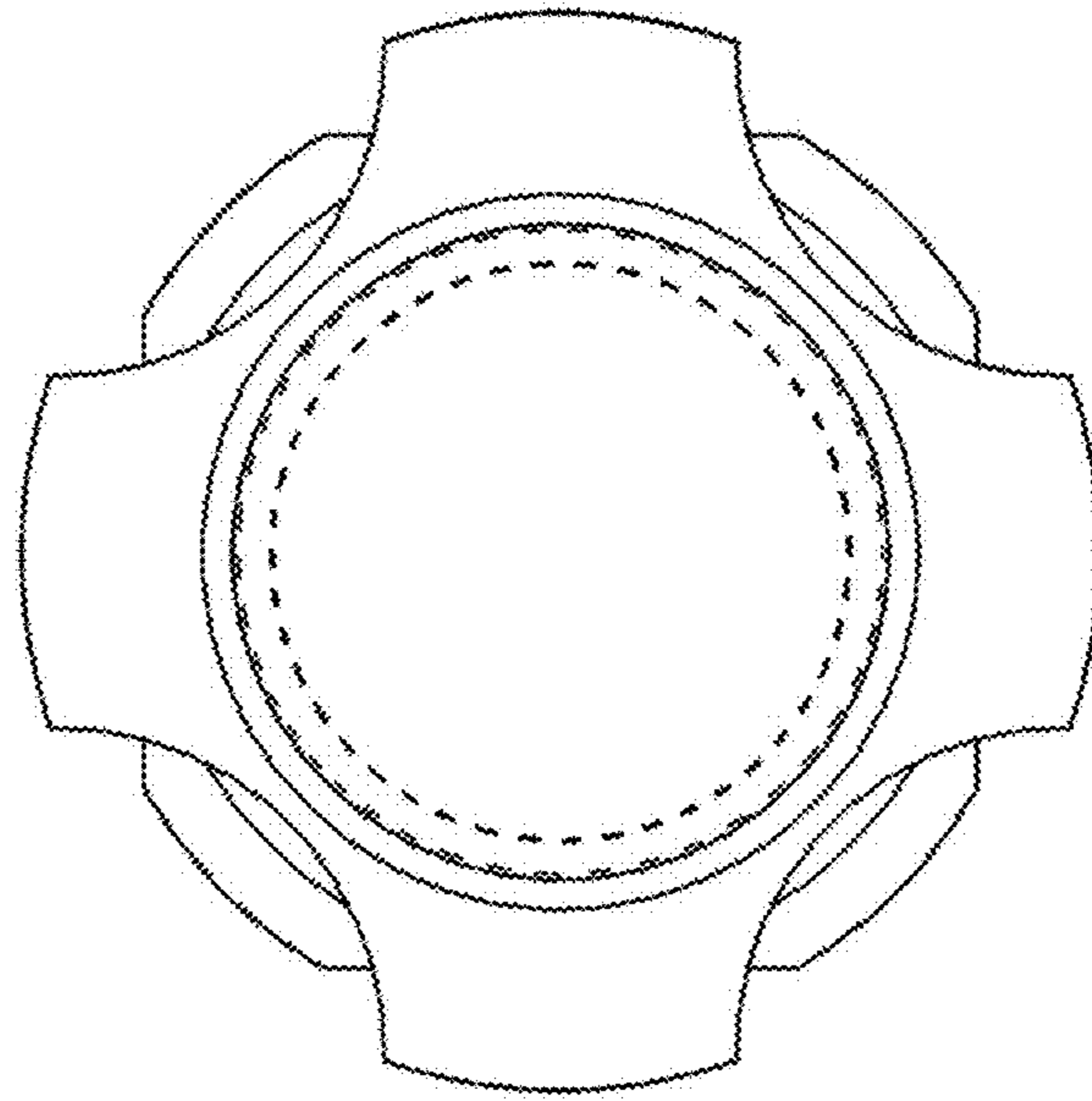


FIG. 5