



US00D921198S

(12) **United States Design Patent** (10) **Patent No.:** **US D921,198 S**
Girod (45) **Date of Patent:** **** Jun. 1, 2021**

(54) **MEDICAL EQUIPMENT**
(71) Applicant: **FERTON HOLDING S.A.**, Delemont (CH)
(72) Inventor: **Jean-Yves Girod**, Gland (CH)
(73) Assignee: **FERTON HOLDING S.A.**, Delemont (CH)
(**) Term: **15 Years**
(21) Appl. No.: **29/658,765**
(22) Filed: **Aug. 2, 2018**

(30) **Foreign Application Priority Data**
Feb. 2, 2018 (EM) 004692697-0006
(51) **LOC (13) Cl.** **24-02**
(52) **U.S. Cl.**
USPC **D24/152**
(58) **Field of Classification Search**
USPC D24/107, 110.6, 112, 113, 128, 129, 133,
D24/140, 152; D8/300, 303, 310;
604/302; D15/122, 123
CPC A61B 1/0052; A61B 1/00006; A61B
1/00091; A61B 1/0669; A61B 1/0676;
A61B 1/00131; A61B 2017/00424; A61B
2017/0042; A61B 17/17; A61B
2018/0091; A61M 25/0133; A61M
25/0136
See application file for complete search history.

(56) **References Cited**
U.S. PATENT DOCUMENTS
3,835,842 A * 9/1974 Iglesias A61B 1/12
600/105
D386,383 S * 11/1997 Lougee D8/310
D442,189 S * 5/2001 Quantz D15/123

D490,445 S * 5/2004 Quantz D15/123
D610,257 S * 2/2010 Horton D24/140
D639,939 S * 6/2011 Klockars D24/129
D647,616 S * 10/2011 Becker D24/138
D667,547 S * 9/2012 Czupalla D24/138
D669,173 S * 10/2012 Becker D24/138
D713,431 S * 9/2014 Malmqvist D15/123
D736,924 S * 8/2015 Oberlaender D24/146
D781,937 S * 3/2017 Svedensten D15/123
D796,044 S * 8/2017 Chu D24/176
D813,384 S * 3/2018 Seeh D24/129
D814,633 S * 4/2018 Eder D24/152
D821,580 S * 6/2018 Elam D24/152
10,512,391 B2 * 12/2019 Noyes A61B 1/0676
D892,318 S * 8/2020 Kubon D24/129
D894,391 S * 8/2020 Robichaud D24/152
D901,682 S * 11/2020 Vuillemin D24/133
2016/0030715 A1 * 2/2016 Romoscanu A61M 25/0136
604/510

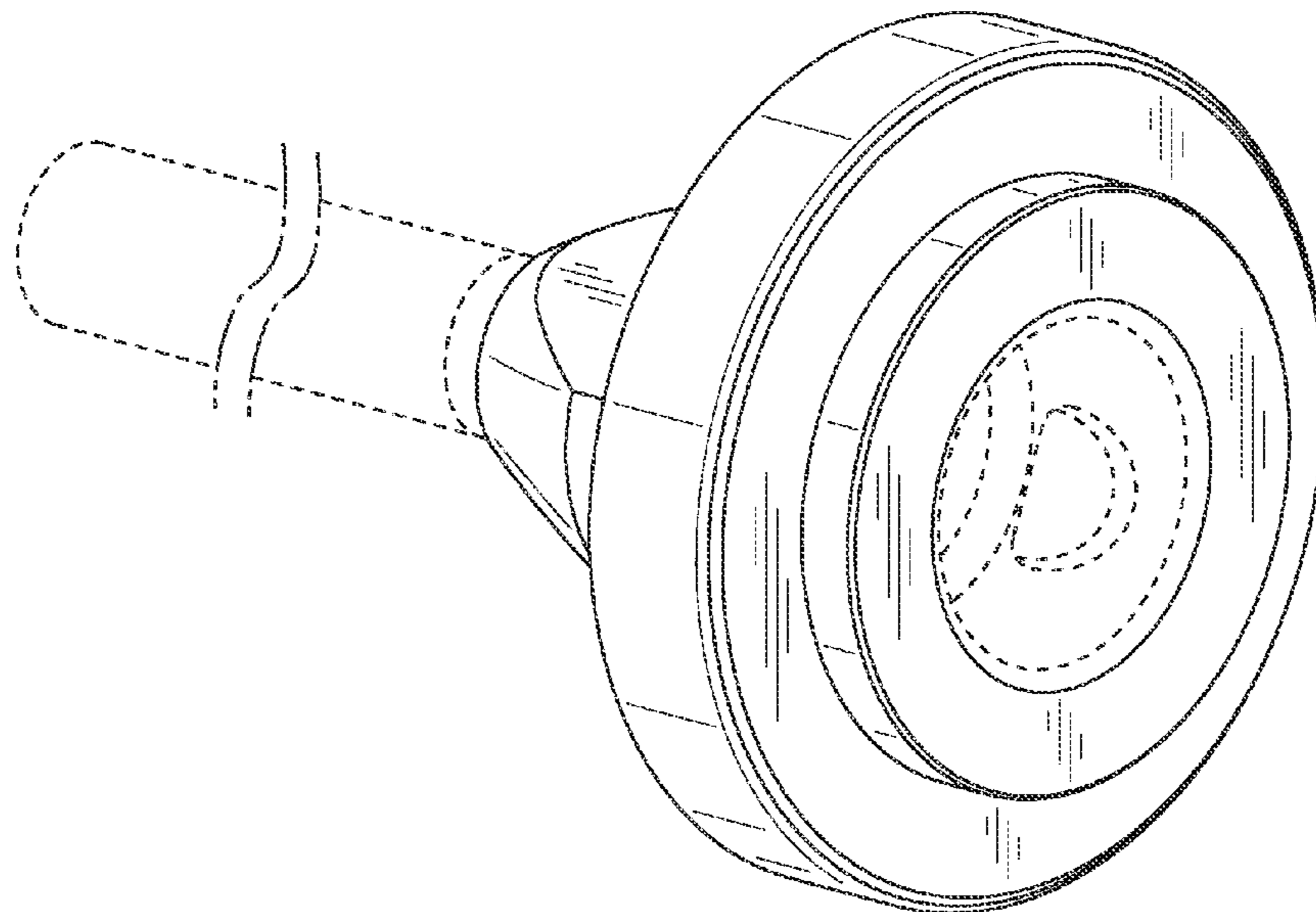
(Continued)

Primary Examiner — Susan E Krakower
Assistant Examiner — Clint A Samuel
(74) *Attorney, Agent, or Firm* — Arent Fox LLP

(57) **CLAIM**
The ornamental design for a medical equipment, as shown and described.

DESCRIPTION
FIG. 1 is front left perspective view of a medical equipment showing my new design;
FIG. 2 is rear left perspective view of the design shown in FIG. 1;
FIG. 3 is a rear view of the design shown in FIG. 1;
FIG. 4 is a front view of the design shown in FIG. 1; and,
FIG. 5 is a right side view of the design shown in FIG. 1, the left side view being a mirror image thereof.
The broken lines shown in the figures are included for the purpose of illustrating portions of the medical equipment and form no part of the claimed design.

1 Claim, 5 Drawing Sheets



(56)

References Cited

U.S. PATENT DOCUMENTS

2016/0143511 A1* 5/2016 Cheng A61B 1/00066
600/123
2018/0263466 A1* 9/2018 Karcher A61B 1/00066
2020/0093550 A1* 3/2020 Spivey A61B 17/07207

* cited by examiner

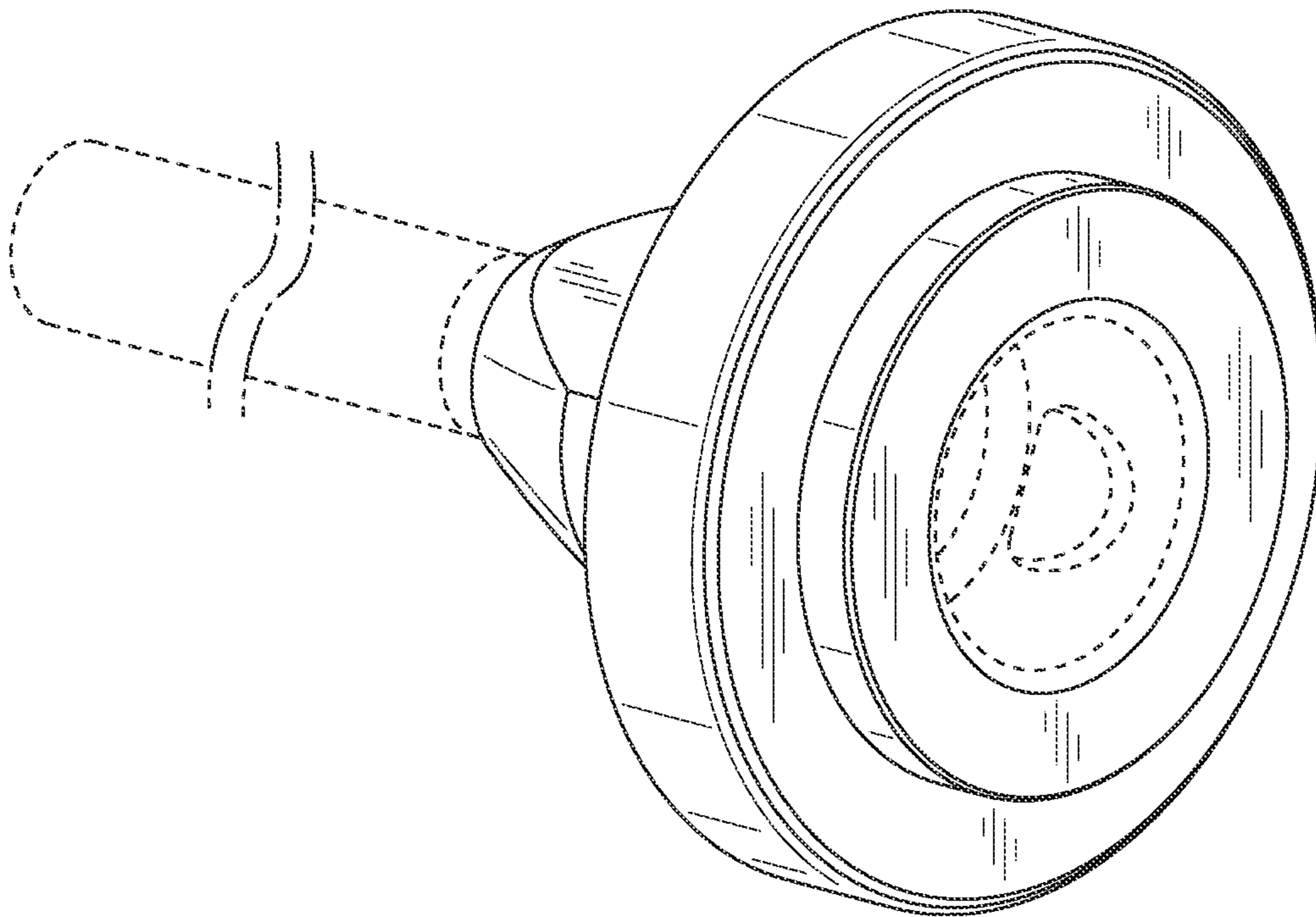


FIG.1

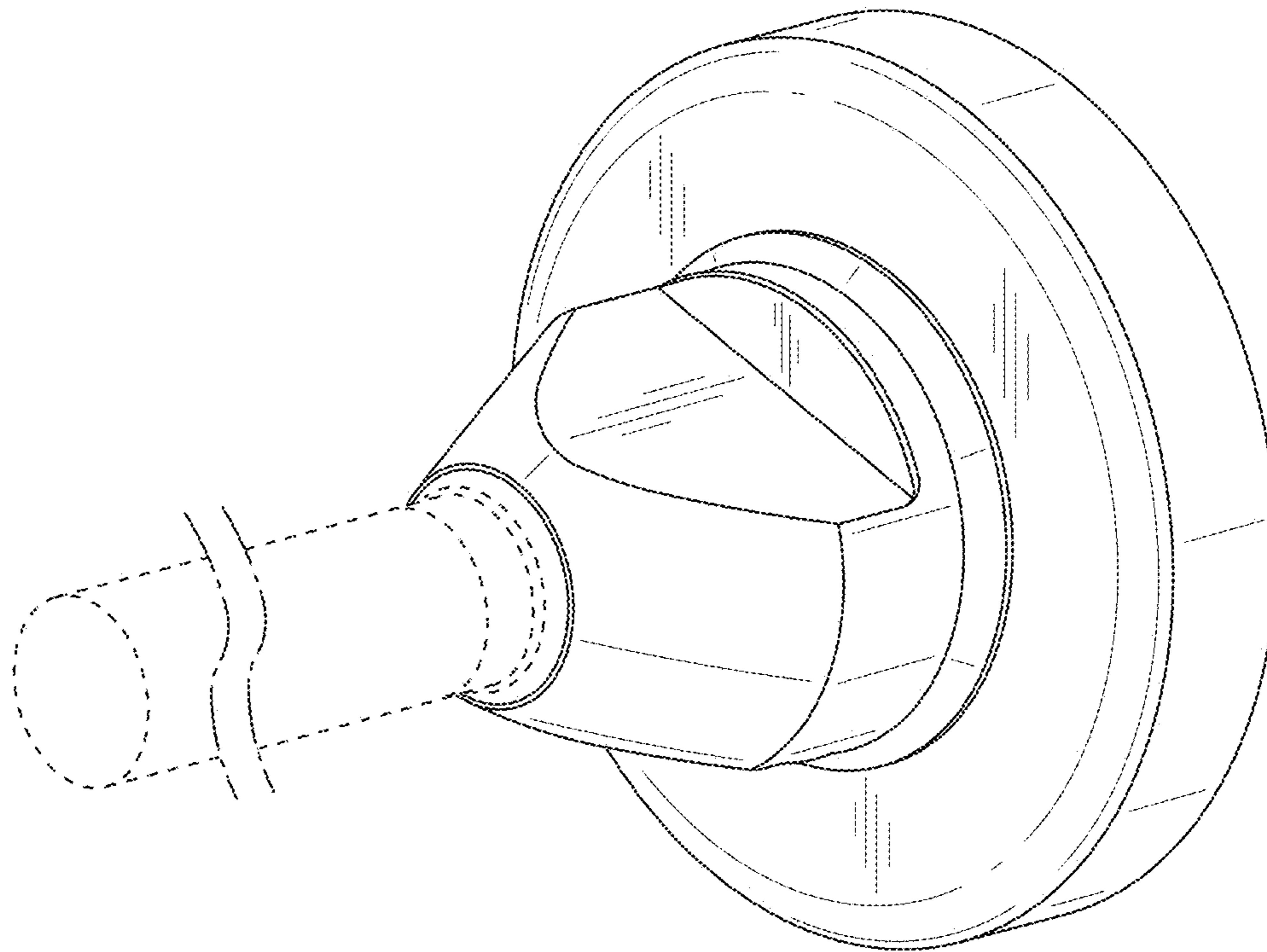


FIG.2

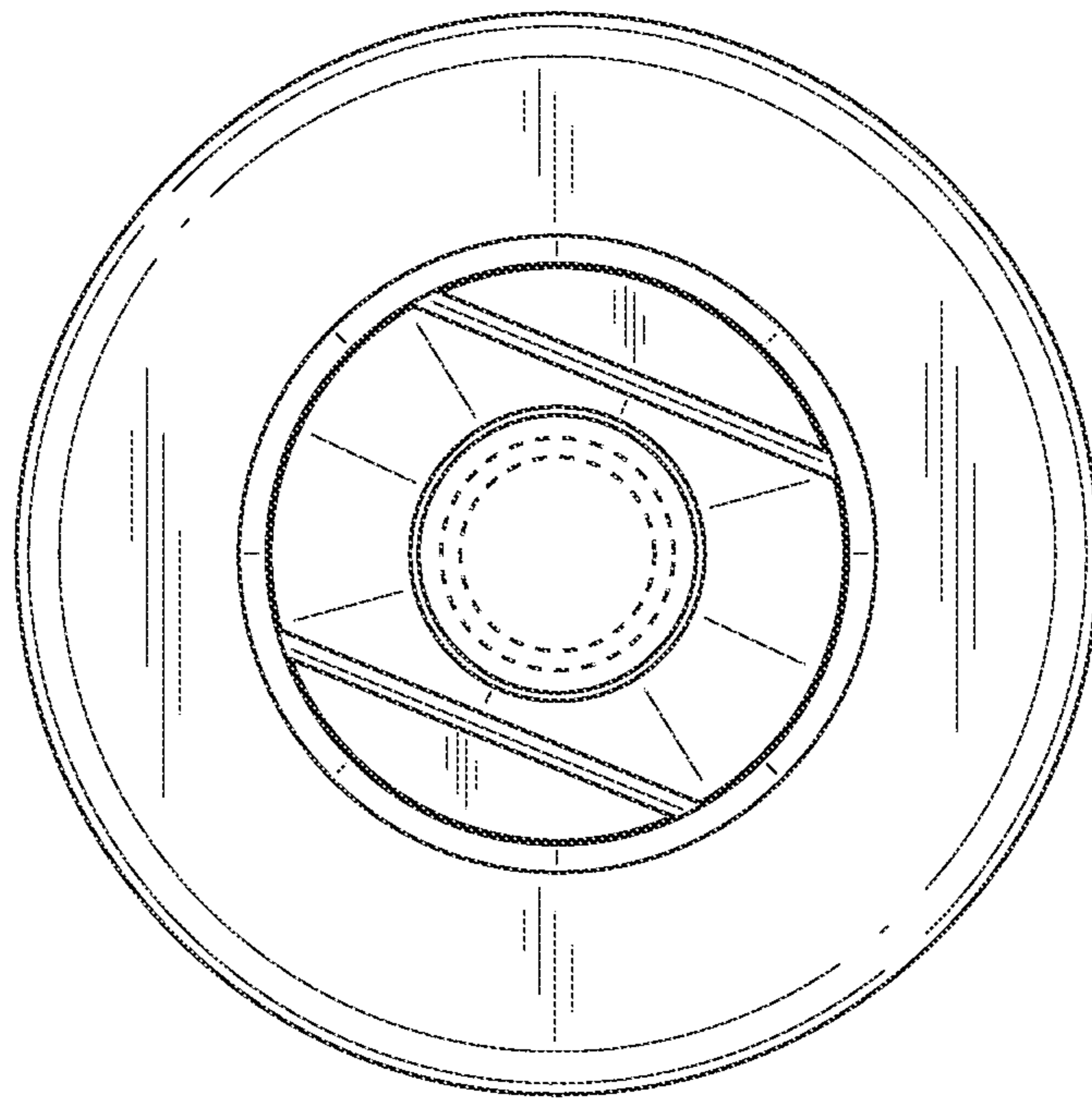


FIG.3

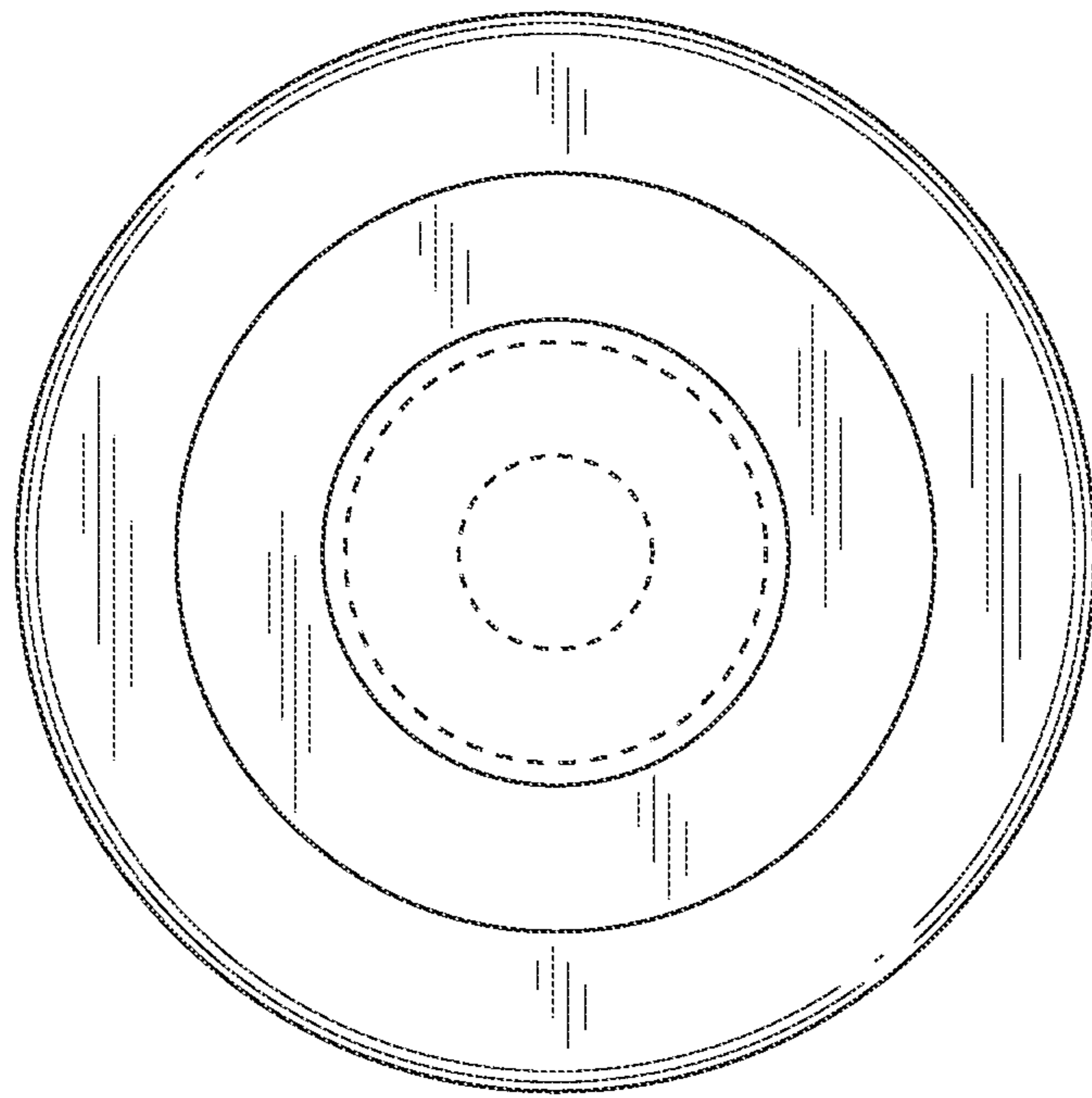


FIG.4

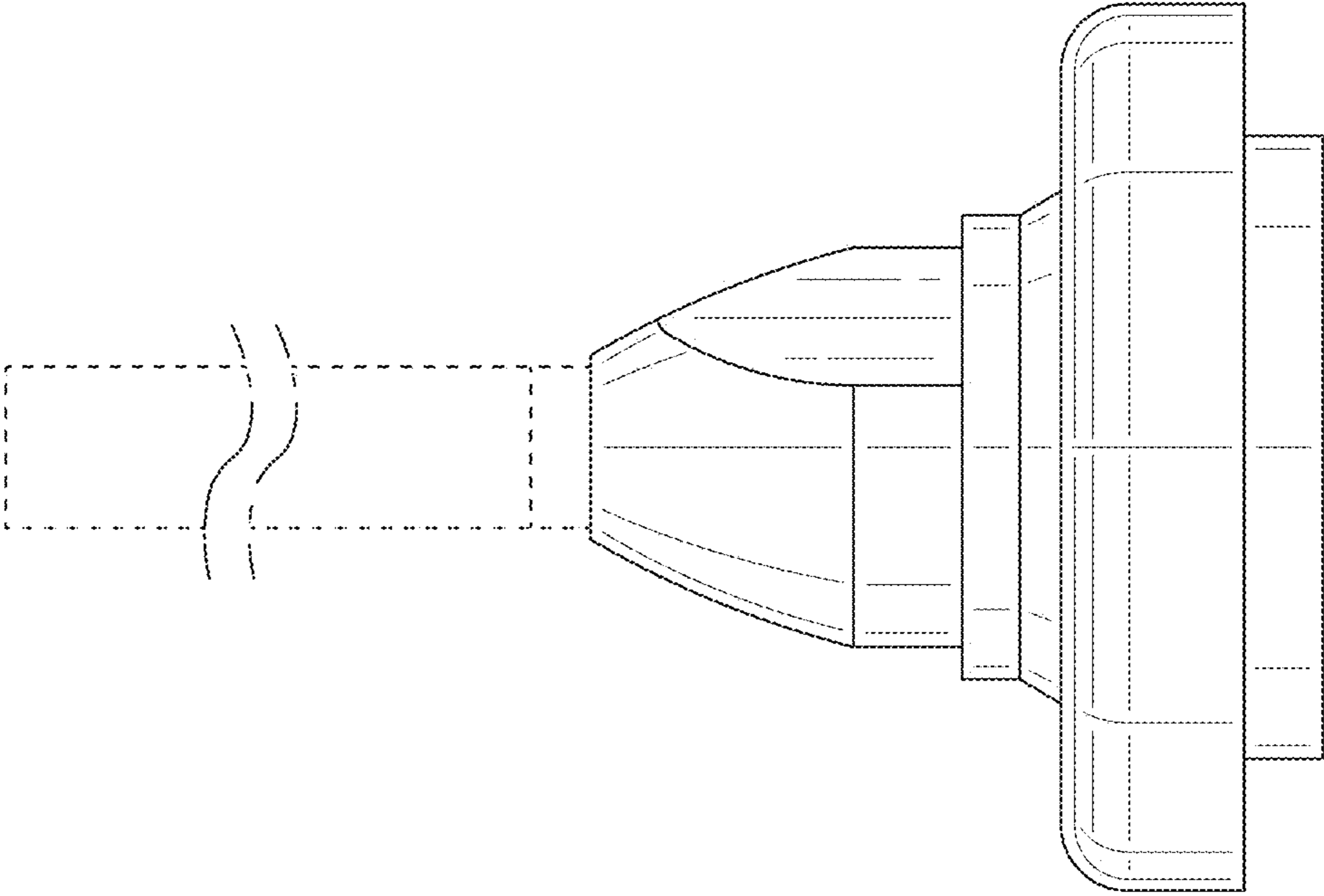


FIG.5