



US00D921197S

(12) **United States Design Patent** (10) **Patent No.:** **US D921,197 S**
Bravman (45) **Date of Patent:** **** Jun. 1, 2021**

(54) **FIN BLADE**

1/32; A61B 1/314; A61B 1/315; A61B 1/316; A61B 17/06066; A61B 17/06004;

(71) Applicant: **The Regents of the University of Colorado, a body corporate**, Denver, CO (US)

(Continued)

(72) Inventor: **Jonathan Todd Bravman**, Golden, CO (US)

(56) **References Cited**

(73) Assignee: **The Regents of the University of Colorado, a body corporate**, Denver, CO (US)

U.S. PATENT DOCUMENTS

D48,236 S * 11/1915 Alvord D7/693
2,014,170 A * 9/1935 Everett A61B 17/06004
606/225

(Continued)

(**) Term: **15 Years**

OTHER PUBLICATIONS

(21) Appl. No.: **29/707,616**

MPR Flexible Osteotomes Radial Style; [site visited Nov. 3, 2020]. Available from Internet. URL: <https://m-p-r.com/products/revision-instruments/item/2338-mpr> (Year: 2020).*

(22) Filed: **Sep. 30, 2019**

(Continued)

(51) **LOC (13) Cl.** **24-02**

(52) **U.S. Cl.**

USPC **D24/146**; D24/147

(58) **Field of Classification Search**

USPC D24/108, 112, 113, 114, 117, 118, 119, D24/127, 130, 133, 144, 146, 147, 148, D24/185, 186, 129, 172, 173, 174, 176, D24/135, 149, 134, 138, 145, 128, 214, D24/215; D7/649; D8/20, 14, 17, 98, D8/99, 100, 105, 47; D10/126; D23/129, 223, 249, 259, 262

CPC A61M 5/20; A61M 5/31; A61M 5/178; A61M 5/3129; A61M 5/3146; A61M 5/3148; A61M 3/00; A61M 16/0472; A61M 2005/1583; A61M 2005/3227; A61M 25/0136; A61M 25/0606; A61M 25/0612; A61M 25/0637; A61M 25/0631; A61M 5/158; A61M 5/1582; A61M 5/3243; A61B 17/3211; A61B 17/320016; A61B 17/3213; A61B 17/0218; A61B 2017/32113; A61B 17/032; A61B 2018/1422; A61B 17/2909; A61B 17/0469; A61B 17/0483; A61B 17/0485; A61B 1/313; A61B 1/3132; A61B 1/3135; A61B 1/3137; A61B 1/317; A61B

Primary Examiner — T Chase Nelson

Assistant Examiner — Kelly L Gross

(74) *Attorney, Agent, or Firm* — Kim Intellectual Property Law Group LLC

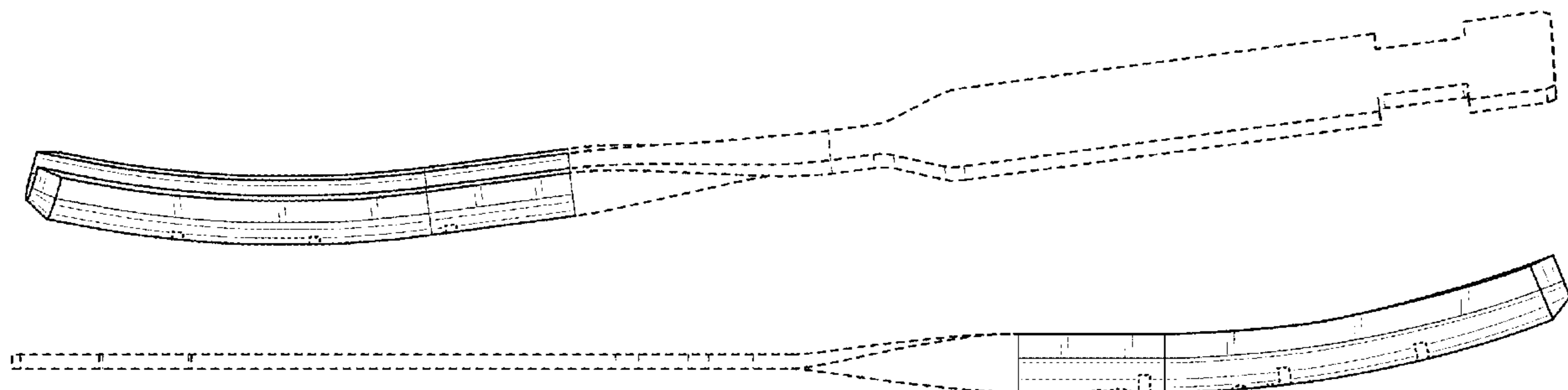
(57) **CLAIM**

The ornamental design for a fin blade, as shown and described.

DESCRIPTION

FIG. 1 is a perspective view of a fin blade in accordance with the new design;
FIG. 2 is a left side view of the fin blade of FIG. 1;
FIG. 3 is a right side view of the fin blade of FIG. 1;
FIG. 4 is a front view of the fin blade of FIG. 1;
FIG. 5 is a rear view of the fin blade of FIG. 1;
FIG. 6 is a top view of the fin blade of FIG. 1; and,
FIG. 7 is a bottom view of the fin blade of FIG. 1.
The broken lines in the figures are directed to portions of the fin blade that form no part of the claimed design.

1 Claim, 4 Drawing Sheets



(58) **Field of Classification Search**
 CPC .. A61B 2017/0608; A61B 2017/06028; A61B
 1/00094; A61F 2002/9517
 See application file for complete search history.

(56) **References Cited**

U.S. PATENT DOCUMENTS

2,296,793 A * 9/1942 Kirschbaum A61B 1/32
 600/210
 3,003,232 A * 10/1961 McDonald A47J 17/04
 30/123.7
 3,611,551 A * 10/1971 Shave et al. B21G 1/08
 29/515
 4,150,675 A * 4/1979 Comparetto A61B 17/1604
 30/302
 D305,895 S * 2/1990 Jonsson D15/126
 4,934,352 A * 6/1990 Sullivan, Jr. A61B 17/02
 600/213
 4,955,888 A * 9/1990 Slocum B27B 19/006
 606/176
 D330,827 S * 11/1992 Jarzynka D7/693
 D339,419 S * 9/1993 Hood D24/133
 D344,801 S * 3/1994 Hughes D24/144
 5,351,680 A * 10/1994 Jung A61B 17/02
 600/214
 5,558,621 A * 9/1996 Heil A61B 17/02
 16/430
 5,649,961 A * 7/1997 McGregor A61B 17/06066
 606/222
 D435,655 S * 12/2000 Tamirisa D24/137
 D437,937 S * 2/2001 Bottjer D24/144
 6,214,030 B1 * 4/2001 Matsutani A61B 17/06066
 606/223
 D442,687 S * 5/2001 Schulz D24/135
 6,264,657 B1 * 7/2001 Urbahns A61B 17/1637
 606/914
 D457,391 S * 5/2002 Davis D7/401.2
 6,790,211 B1 * 9/2004 McPherson A61B 17/8847
 606/84
 D540,945 S * 4/2007 Darnold D24/133
 D558,346 S * 12/2007 Darnold D24/152
 D558,347 S * 12/2007 Darnold D24/152
 D571,008 S * 6/2008 Wu D24/133
 D571,913 S * 6/2008 Wu D24/133
 D572,987 S * 7/2008 Kliskey D8/16
 D575,396 S * 8/2008 Wu D24/133
 D603,232 S 11/2009 Gutowski et al.
 D615,645 S * 5/2010 Brigatti D24/112
 D634,817 S * 3/2011 Madara D23/262
 D642,680 S * 8/2011 Brucker D24/145
 D642,696 S * 8/2011 Blaine D24/200
 8,105,354 B2 * 1/2012 Tochimura A61B 17/06066
 606/223
 D658,288 S * 4/2012 Ryshkus D24/135
 D658,289 S * 4/2012 Ryshkus D24/135
 D658,290 S * 4/2012 Ryshkus D24/135
 8,152,846 B2 * 4/2012 Steiner A61B 17/1764
 623/14.12
 D674,060 S * 1/2013 Wilk, Jr. D23/262
 8,372,077 B2 * 2/2013 Taylor A61B 17/1637
 606/82
 D704,836 S * 5/2014 Shiao D24/141
 D731,031 S * 6/2015 Dole D23/262
 D736,356 S * 8/2015 Haney D23/262
 D737,412 S * 8/2015 Yesavage A61B 17/02
 D23/262
 D739,528 S * 9/2015 Hsu D24/133
 9,192,375 B2 * 11/2015 Skinlo A61B 17/06004
 9,192,748 B2 * 11/2015 Ressemann A61B 1/06

D744,647 S * 12/2015 Menn A61B 17/1285
 D24/145
 D749,730 S * 2/2016 Dietz D24/146
 D750,781 S * 3/2016 Tanaka D24/152
 D755,587 S * 5/2016 Melia A47J 43/14
 D7/693
 D770,115 S * 10/2016 Ritch D32/41
 D776,274 S * 1/2017 Xue D24/135
 D787,308 S 5/2017 Kawashima et al.
 D793,556 S 8/2017 Sweitzer
 9,730,685 B2 * 8/2017 Wan A61B 1/0684
 D801,394 S 10/2017 Southwell et al.
 9,801,652 B2 * 10/2017 Racz A61B 17/3478
 9,848,900 B2 * 12/2017 Witt A61B 17/320068
 D808,521 S * 1/2018 Bottom A61B 17/06066
 D24/127
 D810,271 S 2/2018 Holmes
 D811,592 S * 2/2018 Hsu D24/136
 D820,451 S * 6/2018 Boge D24/152
 9,987,040 B2 * 6/2018 Haindl A61M 25/065
 D822,614 S * 7/2018 Baldwin D13/155
 D822,615 S * 7/2018 Baldwin D13/155
 D822,616 S * 7/2018 Baldwin D13/155
 D822,617 S * 7/2018 Baldwin A61B 17/320068
 D13/155
 D832,221 S * 10/2018 Baldwin A61B 17/1637
 D13/155
 D833,607 S * 11/2018 Aradono D24/135
 10,118,027 B2 * 11/2018 Seifert A61B 17/3468
 D839,395 S * 1/2019 Schaubach A61B 17/8847
 D23/255
 D862,696 S * 10/2019 Elbaz D24/146
 10,434,272 B1 * 10/2019 Annis A61B 1/267
 D866,865 S * 11/2019 Pass D28/99
 D871,891 S * 1/2020 Emanuel D8/349
 D877,330 S * 3/2020 McClunan D24/135
 10,595,879 B1 * 3/2020 Litwak A61B 17/1604
 D884,890 S * 5/2020 Bottom D24/135
 10,660,632 B2 * 5/2020 Torrie A61B 17/025
 D886,168 S * 6/2020 Dill D15/139
 D886,169 S * 6/2020 Dill D15/139
 D895,801 S * 9/2020 Tanaka D24/152
 D902,637 S * 11/2020 Healey D7/300.2
 D903,479 S * 12/2020 Schick D8/397
 D905,236 S * 12/2020 Opperman D24/135
 D909,578 S * 2/2021 Gupta D24/145
 2006/0047309 A1 * 3/2006 Cichocki, Jr. A61B 17/06066
 606/222
 2007/0060795 A1 * 3/2007 Vayser A61B 17/0206
 600/245
 2010/0023053 A1 * 1/2010 Akutsu B23K 26/389
 606/223
 2012/0059226 A1 * 3/2012 Funt A61B 17/02
 600/213
 2014/0005719 A1 * 1/2014 Uetake A61B 17/06066
 606/223
 2017/0066109 A1 * 3/2017 Bleier B24D 15/02
 2017/0296162 A1 * 10/2017 Wan A61B 1/0684
 2017/0303905 A1 * 10/2017 Wilson A61B 17/02
 2018/0235775 A1 * 8/2018 McCulloch A61F 2/30721
 2019/0038861 A1 * 2/2019 Bottom A61M 16/0431
 2019/0105026 A1 * 4/2019 Arshava A61B 17/02
 2020/0261247 A1 * 8/2020 Stchur A61F 2/4014

OTHER PUBLICATIONS

“Shoulder Extraction Instruments, Product Overview”, 2013, pp.
 1-16, DePuy Synthes Joint Reconstruction, Companies of Johnson
 & Johnson.

* cited by examiner

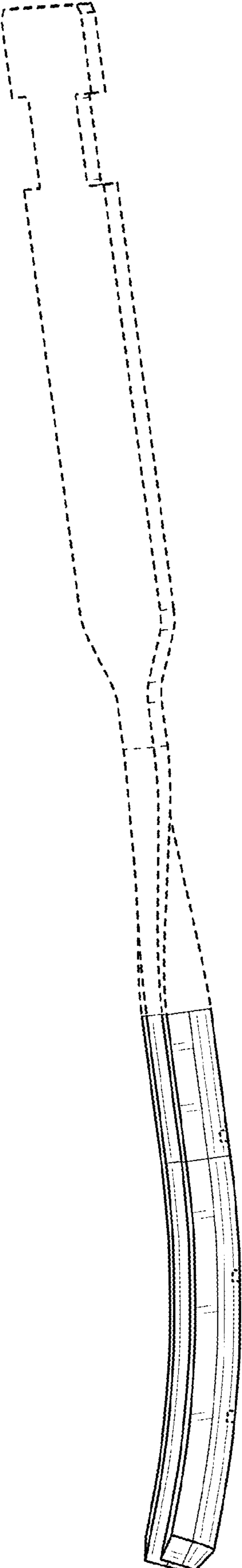


FIG. 1

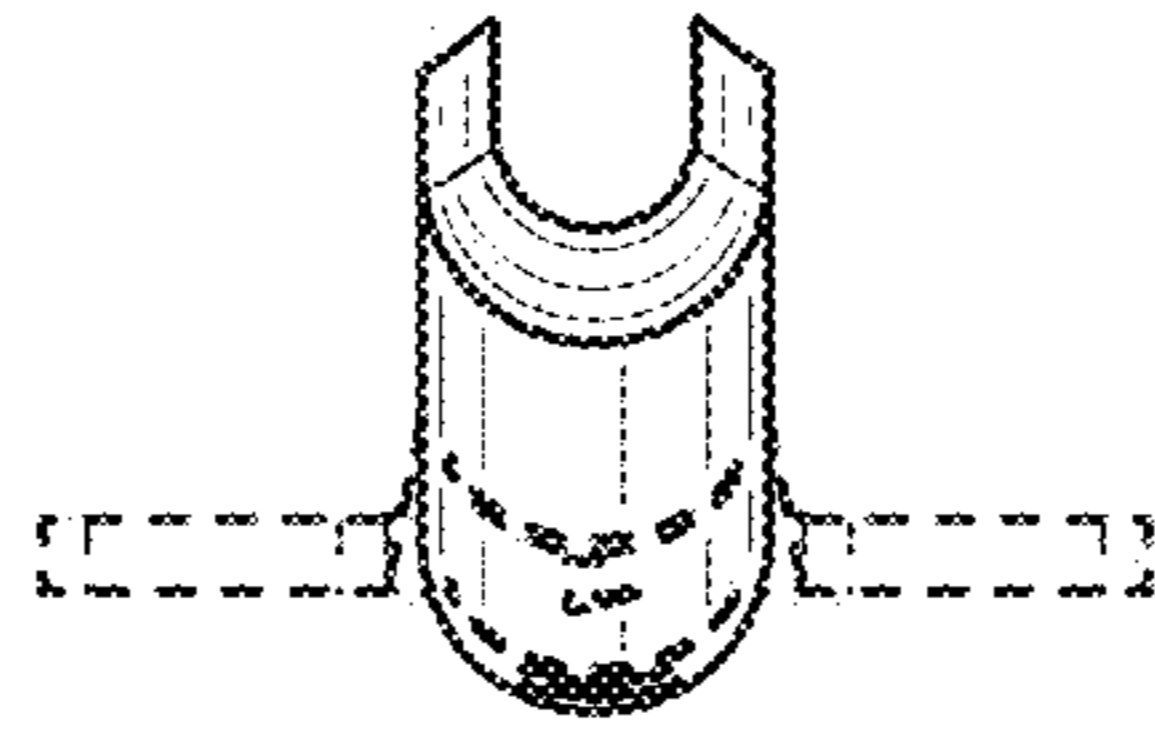


FIG. 2

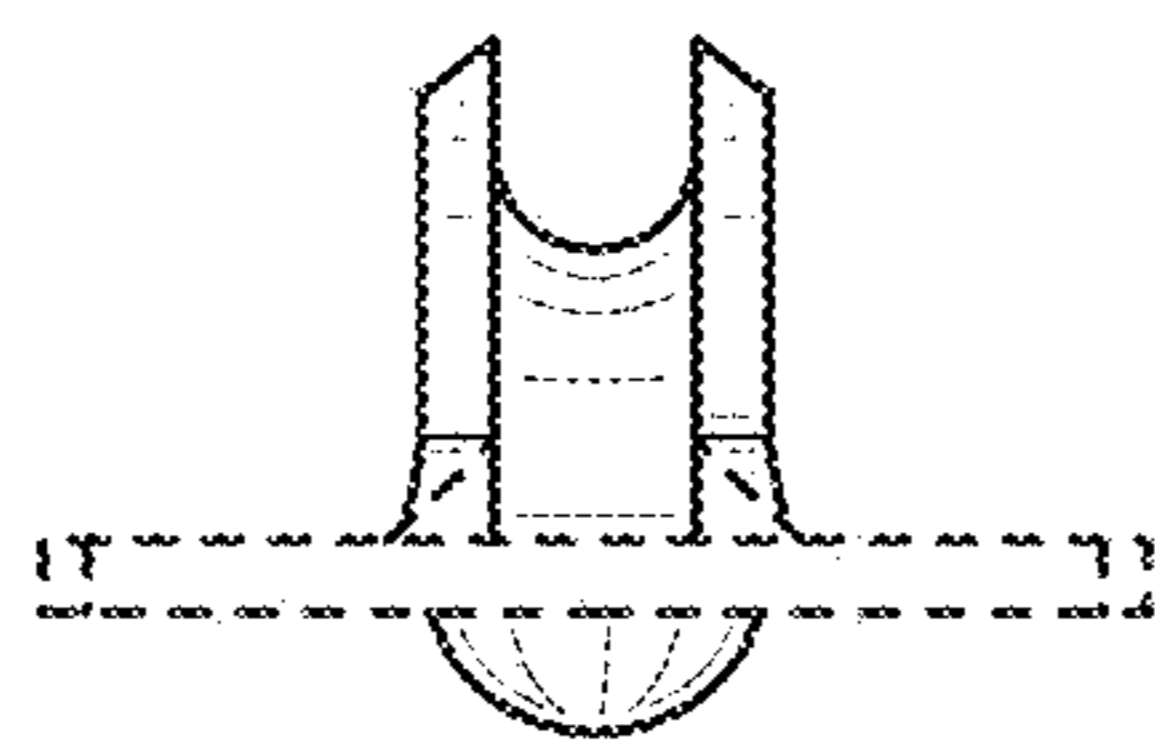


FIG. 3

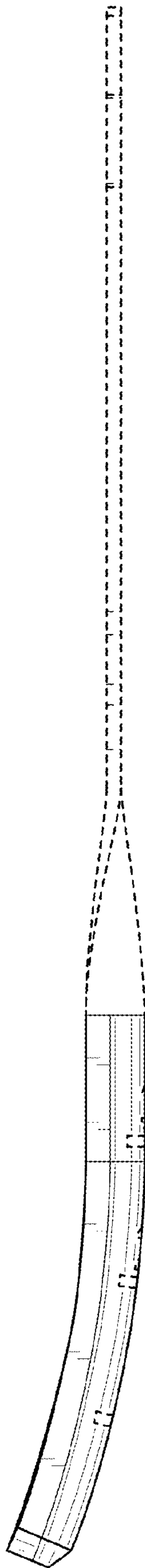


FIG. 4

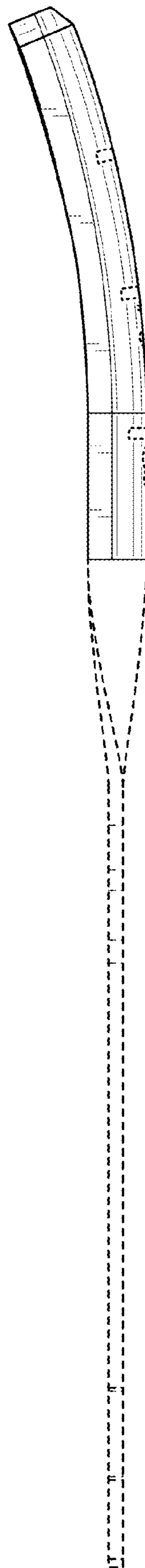


FIG. 5

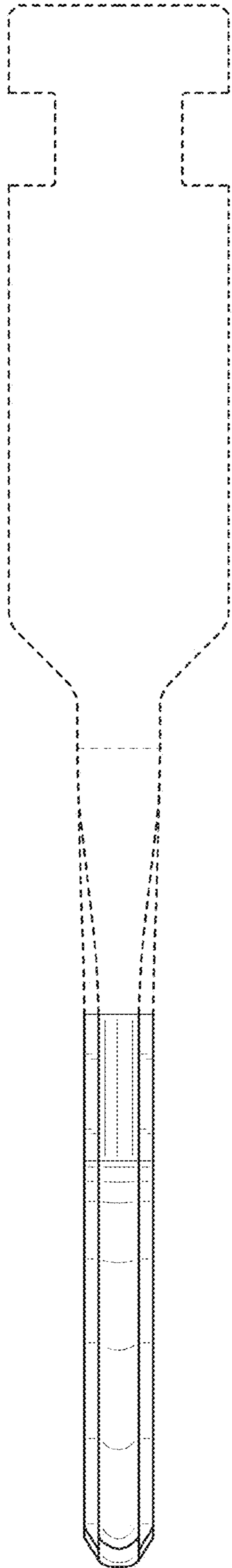


FIG. 6

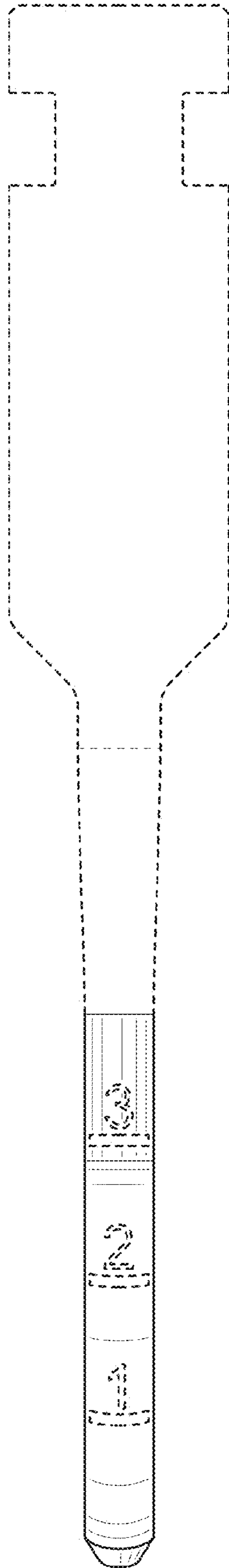


FIG. 7