



US00D921195S

(12) **United States Design Patent** (10) **Patent No.:** **US D921,195 S**  
**Servedio** (45) **Date of Patent:** **\*\* Jun. 1, 2021**

- (54) **SURGICAL TOOL HANDLE**
- (71) Applicant: **Shukla Medical**, St. Petersburg, FL (US)
- (72) Inventor: **Brian Joseph Servedio**, St. Petersburg, FL (US)
- (73) Assignee: **Shukla Medical**, St. Petersburg, FL (US)
- (\*\*) Term: **15 Years**
- (21) Appl. No.: **29/671,307**
- (22) Filed: **Nov. 26, 2018**
- (51) **LOC (13) Cl.** ..... **24-02**
- (52) **U.S. Cl.**  
USPC ..... **D24/133**
- (58) **Field of Classification Search**  
USPC ..... D24/108, 112, 113–117, 127, 133, 134, D24/136, 137, 138, 143, 145, 200; D8/14, 16, 19, 21, 82, 83, 84, 85, 86, D8/107, 34, 300, 303, 314, 372, 374, 394, D8/77  
CPC .. A61M 25/0136; A61B 17/64; A61B 17/645; A61B 17/62; A61B 17/00  
See application file for complete search history.

- (56) **References Cited**  
U.S. PATENT DOCUMENTS  
818,242 A \* 4/1906 Geisel ..... A63B 21/0004 482/128  
D294,181 S 2/1988 Romero  
5,263,976 A 11/1993 Williams  
D357,703 S 4/1995 Chang et al.  
6,151,998 A 11/2000 Fu-Hui  
D461,558 S 8/2002 Schiavoni  
7,272,999 B2 9/2007 Cutler et al.  
D566,514 S \* 4/2008 Settles ..... D8/107

- D597,405 S \* 8/2009 Startzell ..... D9/434
- D616,206 S \* 5/2010 Junting ..... D4/138
- D628,660 S \* 12/2010 Verheem ..... A63B 15/005 D21/681
- D632,157 S \* 2/2011 Le ..... D8/306
- 7,913,594 B2 \* 3/2011 Gauthier ..... B25B 13/463 81/467
- D649,635 S \* 11/2011 Cronin ..... D24/133
- D680,407 S \* 4/2013 Ramsland ..... D8/307
- D772,684 S 11/2016 Zimmer
- D786,430 S 5/2017 Davies et al.
- D787,296 S \* 5/2017 Zimmer ..... D8/307
- D788,567 S \* 6/2017 Zimmer ..... D8/317
- D790,061 S \* 6/2017 Gu ..... D24/152

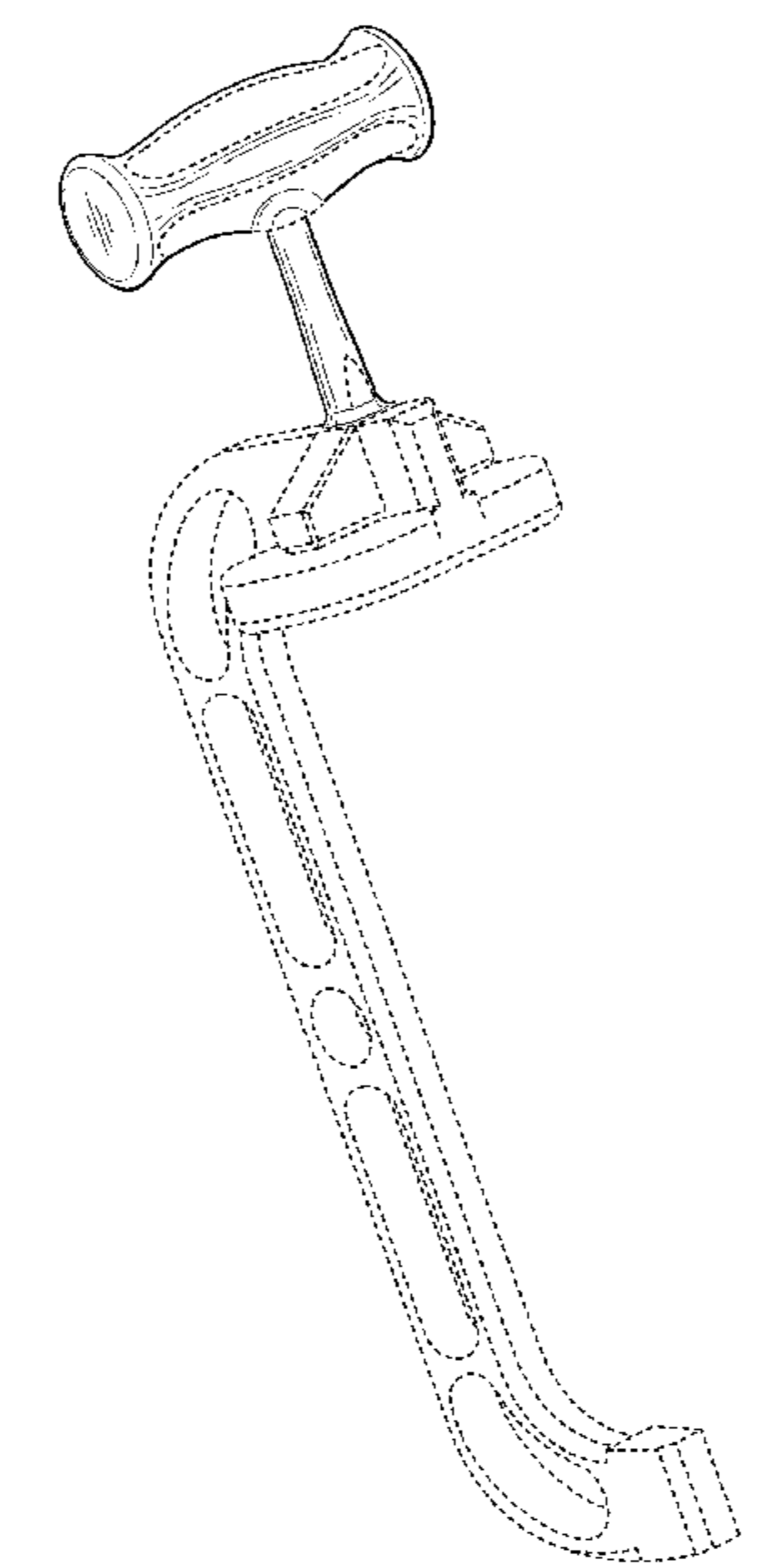
(Continued)

*Primary Examiner* — Manpreet S Matharu  
*Assistant Examiner* — Yolanda Robinson  
(74) *Attorney, Agent, or Firm* — Kim IP Law Group LLC

(57) **CLAIM**  
The ornamental design for a surgical tool handle, as shown and described.

**DESCRIPTION**  
FIG. 1 is a perspective view of a surgical tool handle in accordance with the new design;  
FIG. 2 is a left side view of the surgical tool handle of FIG. 1;  
FIG. 3 is a right side view of the surgical tool handle of FIG. 1;  
FIG. 4 is a front view of the surgical tool handle of FIG. 1;  
FIG. 5 is a rear view of the surgical tool handle of FIG. 1;  
FIG. 6 is a top plan view of the surgical tool handle of FIG. 1; and,  
FIG. 7 is a bottom plan view of the surgical tool handle of FIG. 1.  
The broken lines in the figures illustrate portions of the surgical tool handle that form no part of the claimed design.

**1 Claim, 4 Drawing Sheets**



(56)

**References Cited**

U.S. PATENT DOCUMENTS

D791,566	S	*	7/2017	Howell	.....	D8/302
D805,641	S	*	12/2017	Gu	.....	D24/152
D807,147	S	*	1/2018	Renault	.....	D8/303
D832,426	S	*	10/2018	Holton	.....	D24/127
D839,066	S		1/2019	Bast		
D845,740	S		4/2019	Bast		
D854,909	S		7/2019	Wells et al.		
2010/0288087	A1		11/2010	Lai		
2012/0040805	A1	*	2/2012	Chen	.....	A63B 21/0608 482/110

\* cited by examiner

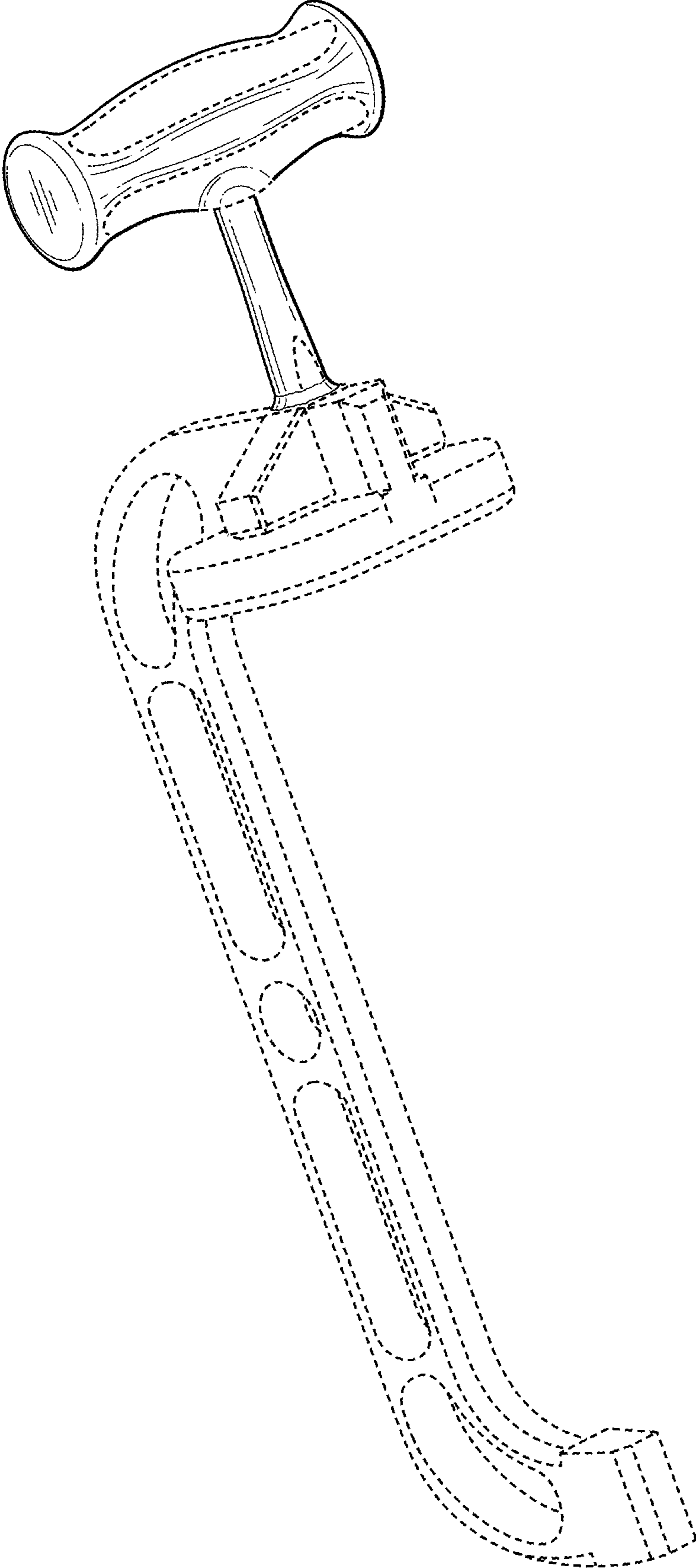


FIG. 1

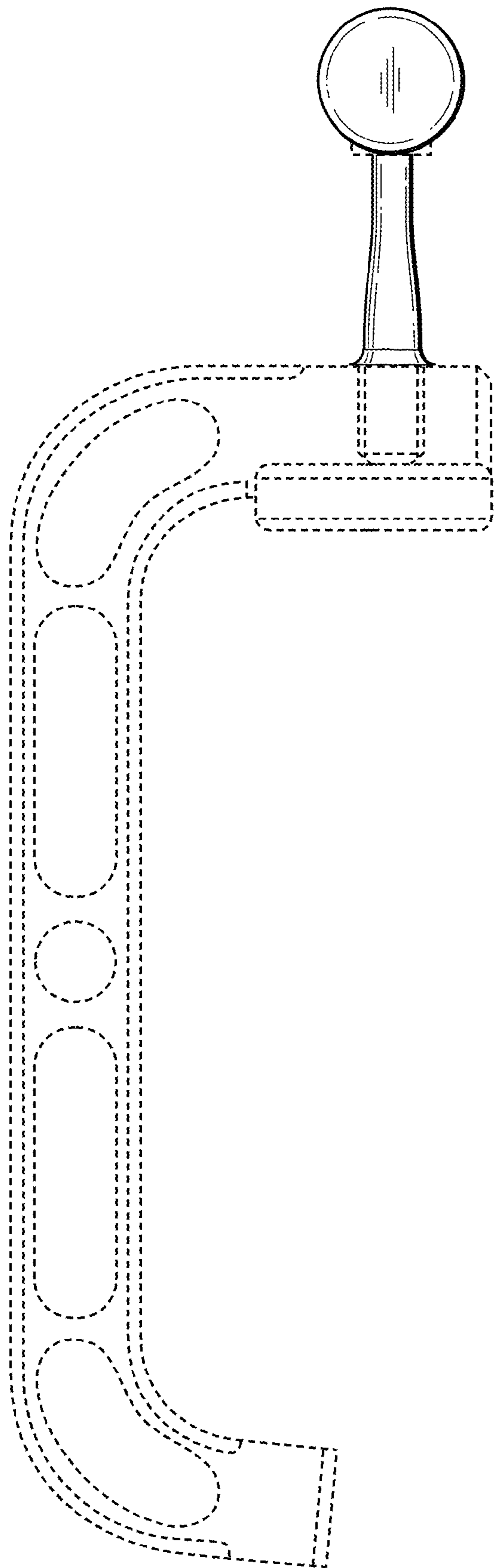


FIG. 2

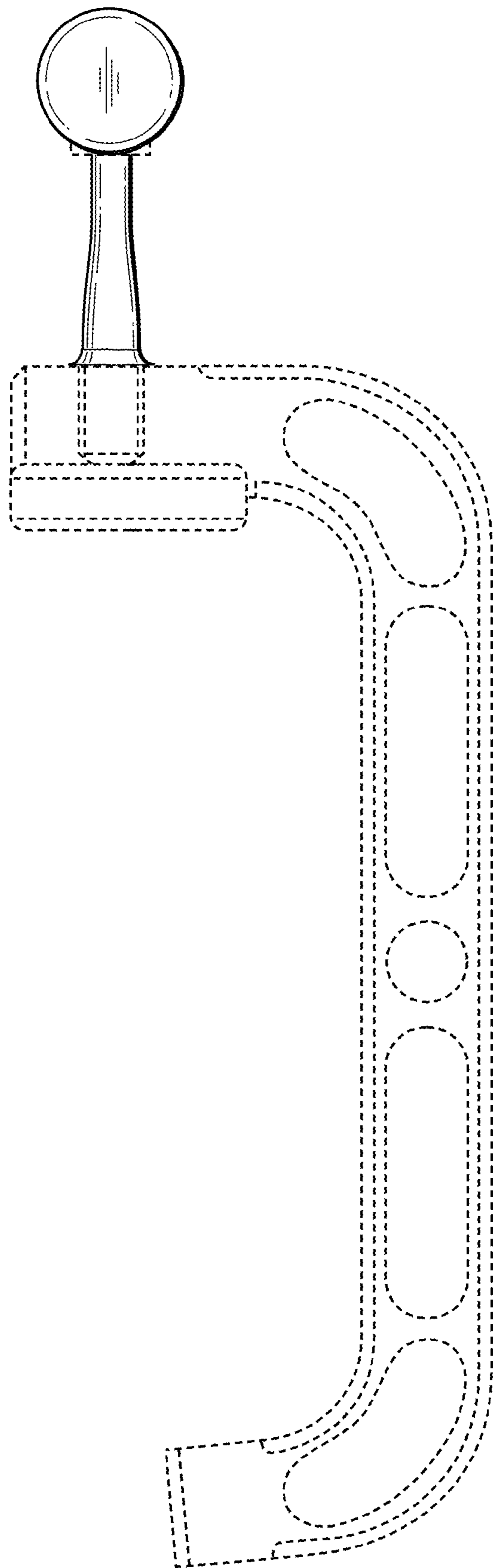


FIG. 3

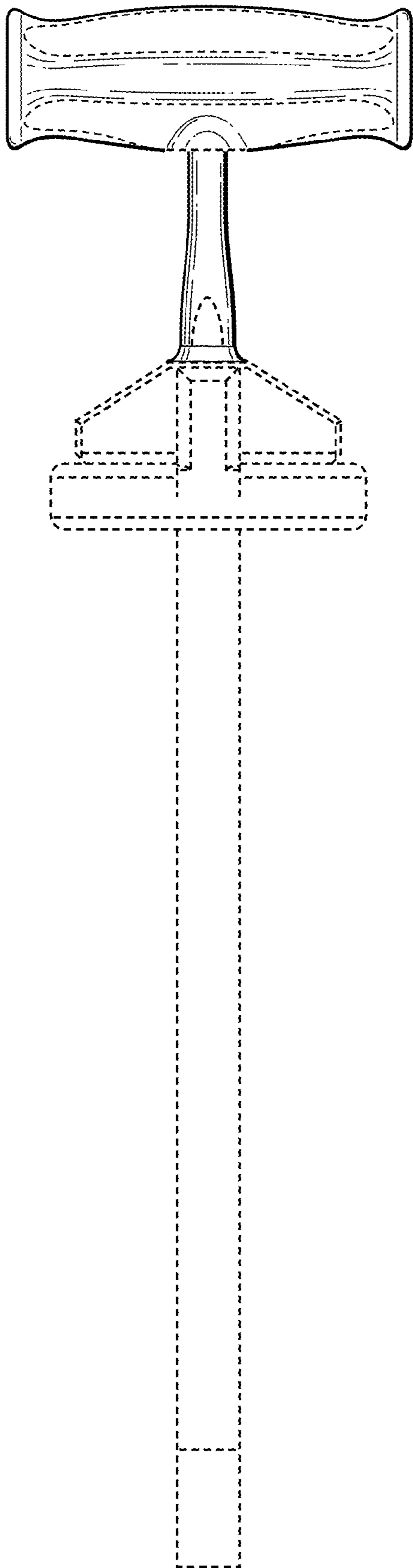


FIG. 4

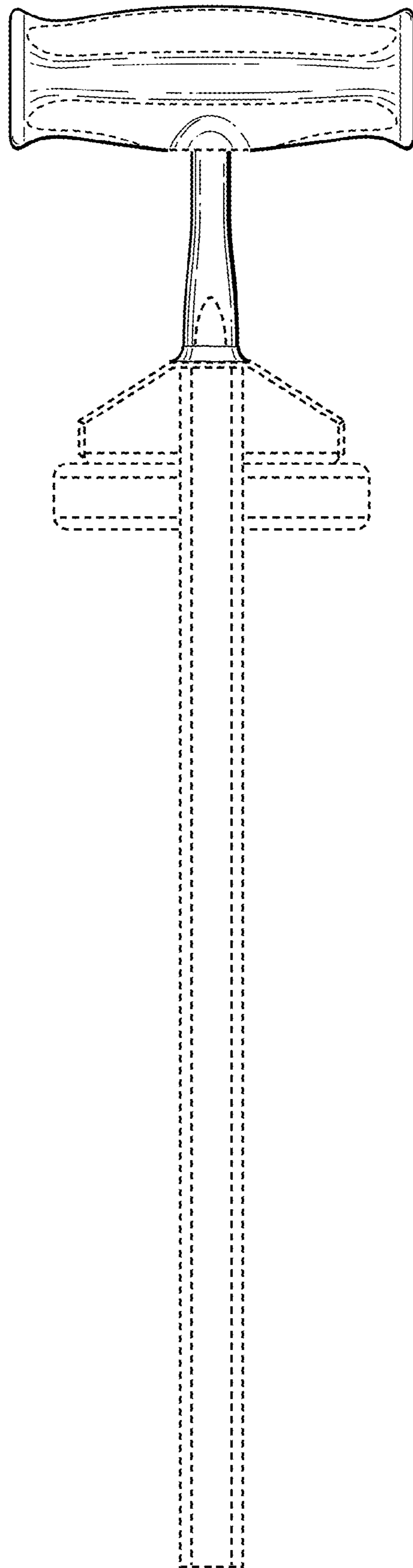


FIG. 5

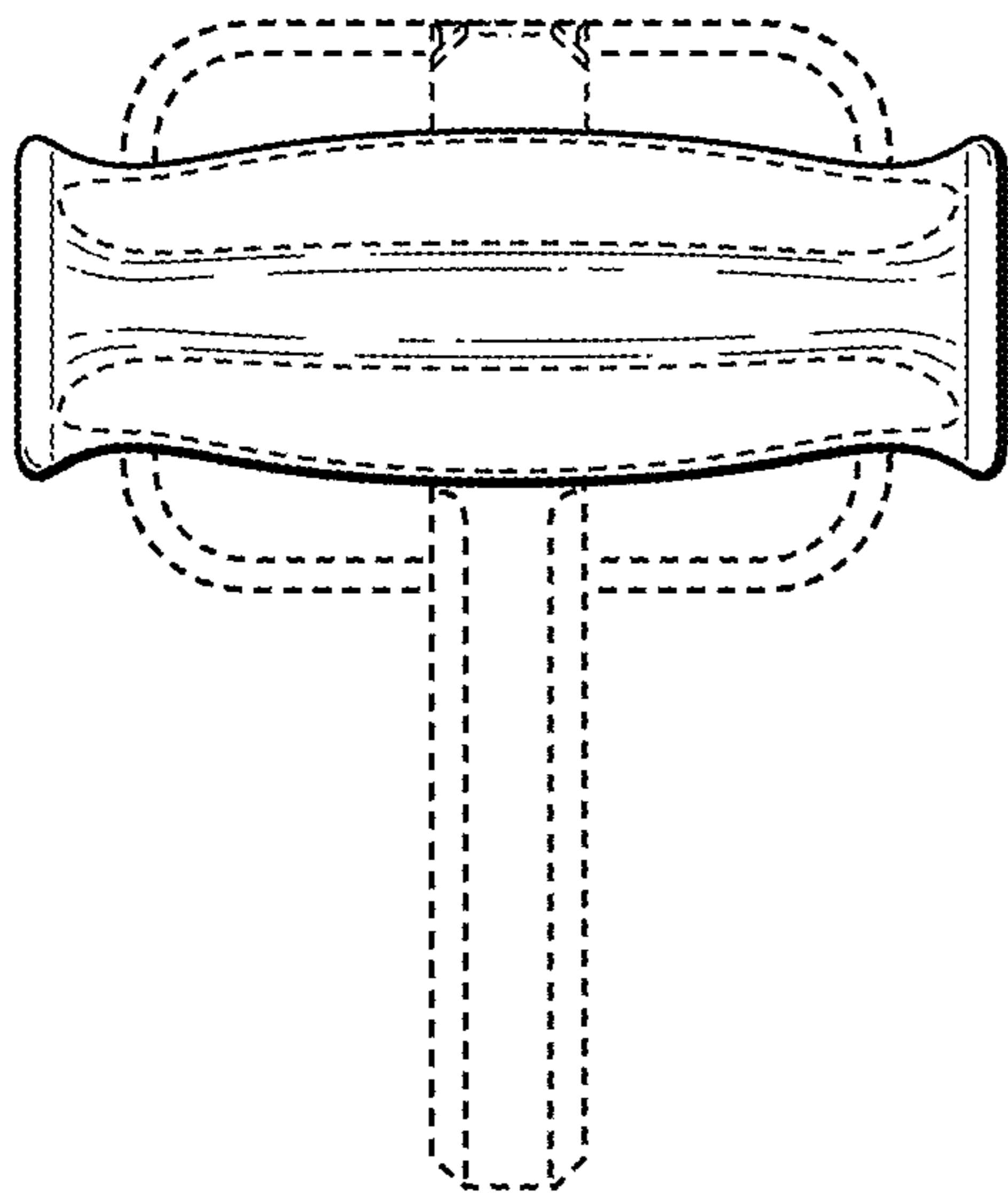


FIG. 6

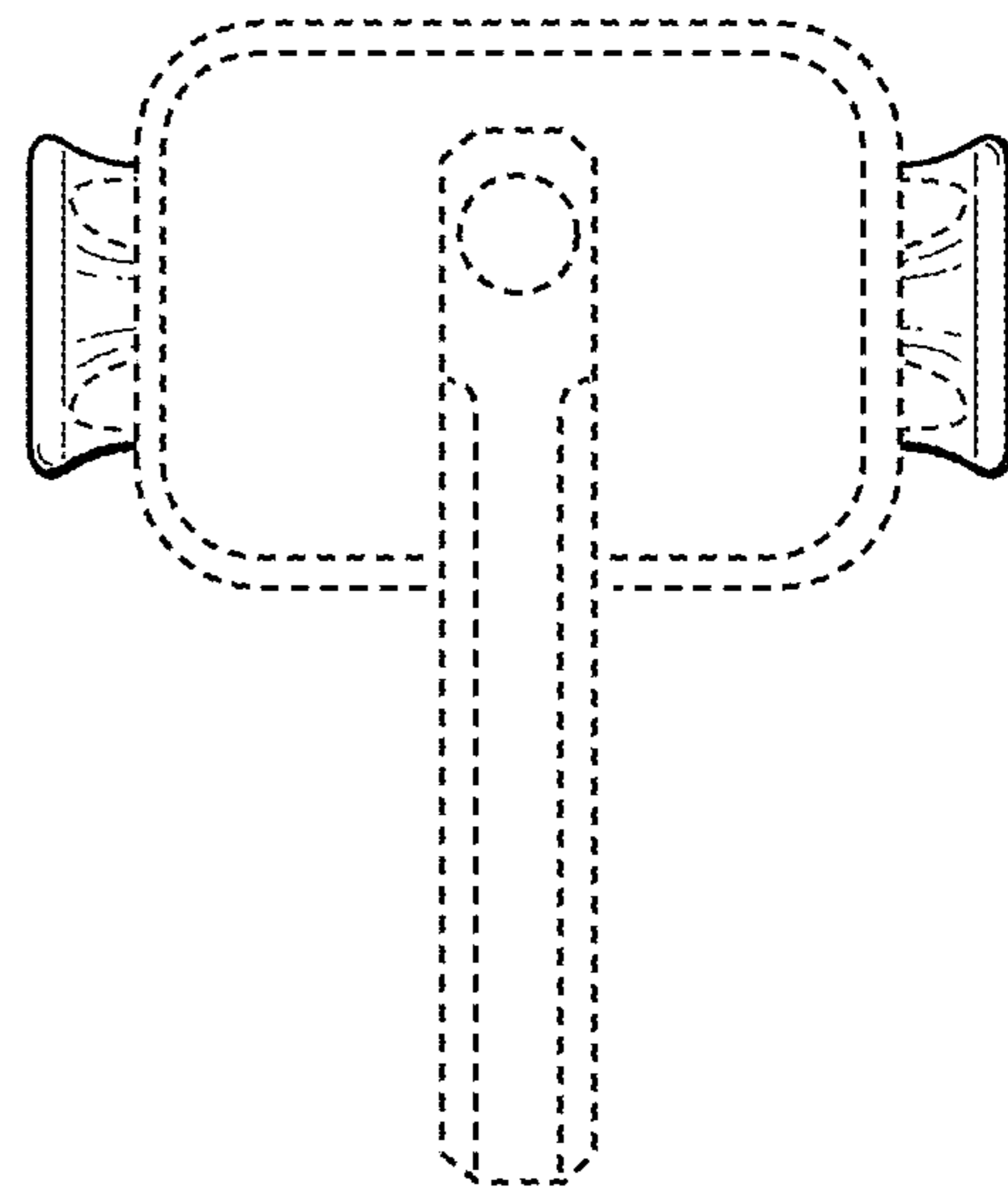


FIG. 7