



US00D921192S

(12) **United States Design Patent**
Li

(10) **Patent No.:** **US D921,192 S**
(45) **Date of Patent:** **** Jun. 1, 2021**

- (54) **COMPRESSOR NEBULIZER MACHINE**
- (71) Applicant: **DONGGUAN WOBANG ELECTRONIC TECHNOLOGY CO., LTD.**, Dongguan (CN)
- (72) Inventor: **Yueming Li**, Dongguan (CN)
- (73) Assignee: **DONGGUAN WOBANG ELECTRONIC TECHNOLOGY CO., LTD.**, Dongguan (CN)
- (**) Term: **15 Years**
- (21) Appl. No.: **29/750,698**
- (22) Filed: **Sep. 16, 2020**
- (51) **LOC (13) Cl.** **24-02**
- (52) **U.S. Cl.**
USPC **D24/127**
- (58) **Field of Classification Search**
USPC D24/127, 110, 112–114, 108, 130, 133, D24/186; 606/181, 185; 604/264, 604/523–528, 272, 164.01–164.11, 187, 604/93.01; 600/101, 139, 143; 128/200.24, 207.14, 207.15, 203.12, 128/200.11, 200.14, 200.18
CPC A61M 11/06; A61M 11/005; A61M 15/00; A61M 2205/8206; A61M 25/00; A61M 39/00; A61M 27/00; A61M 25/0043; A61M 25/0067; A61M 25/0097; A61F 2/958
See application file for complete search history.

- D527,098 S 8/2006 Cheng
- D559,974 S * 1/2008 Cheng D24/110
- 7,624,968 B2 * 12/2009 Lu A61M 11/02
128/200.18
- D739,521 S 9/2015 Pipe et al.
- D783,121 S * 4/2017 Cappuccio D23/200
- D880,765 S * 4/2020 Tasselli D27/163
- D902,413 S * 11/2020 Laurino D24/186
- D905,228 S * 12/2020 Shauver D24/108
- D916,364 S * 4/2021 Li D27/162
- D916,934 S * 4/2021 Sun D15/7
- 2006/0102178 A1 * 5/2006 Feiner G01N 21/532
128/203.12
- 2014/0144446 A1 * 5/2014 Bobey A61M 16/105
128/204.23
- 2017/0028144 A1 * 2/2017 Flickinger A61M 11/06

* cited by examiner

Primary Examiner — David G Muller

(57) **CLAIM**

The ornamental design for a compressor nebulizer machine, as shown and described.

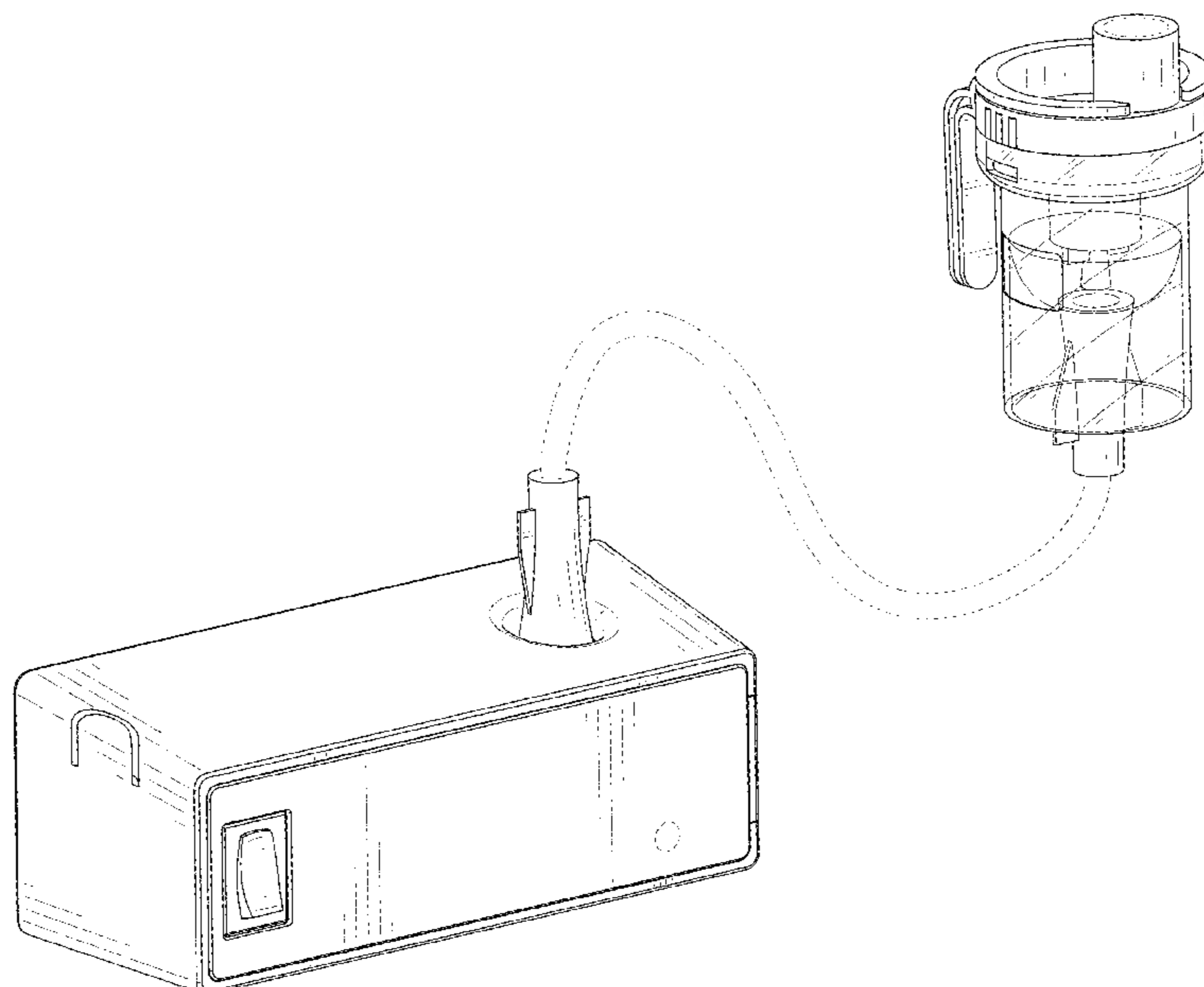
DESCRIPTION

FIG. 1 is a perspective view of a compressor nebulizer machine showing my new design;
 FIG. 2 is another perspective view thereof;
 FIG. 3 is a front elevational view thereof;
 FIG. 4 is a rear elevational view thereof;
 FIG. 5 is a left side elevational view thereof;
 FIG. 6 is a right side elevational view thereof;
 FIG. 7 is a top plan view thereof; and,
 FIG. 8 is a bottom plan view thereof.
 The broken lines in the drawings depict portions of the compressor nebulizer machine that form no part of the claimed design.

(56) **References Cited**
U.S. PATENT DOCUMENTS

- 6,619,284 B2 * 9/2003 Kong A61M 11/06
128/200.21
- 6,732,731 B1 * 5/2004 Tseng A61M 11/06
128/200.14

1 Claim, 8 Drawing Sheets



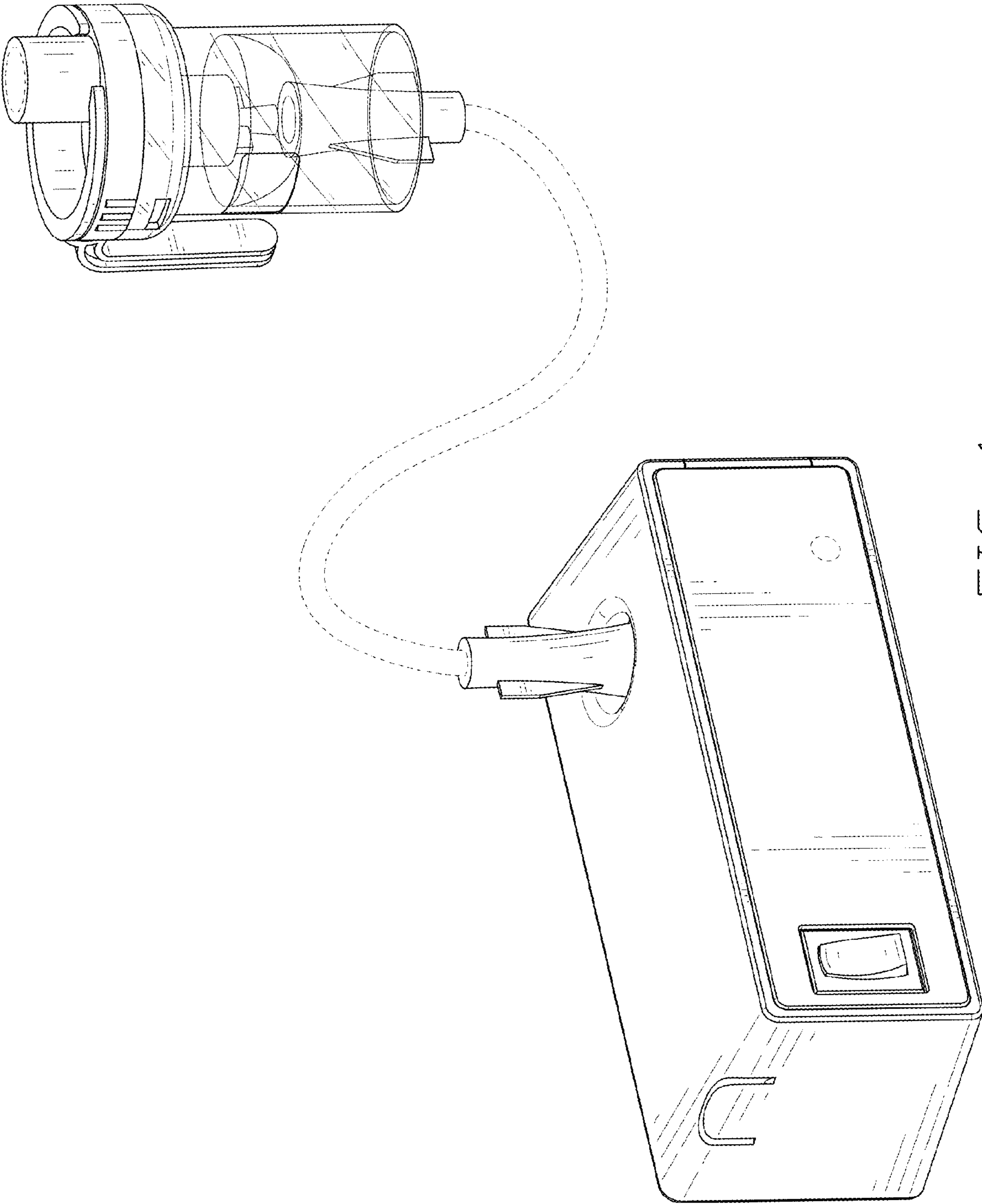


FIG. 1

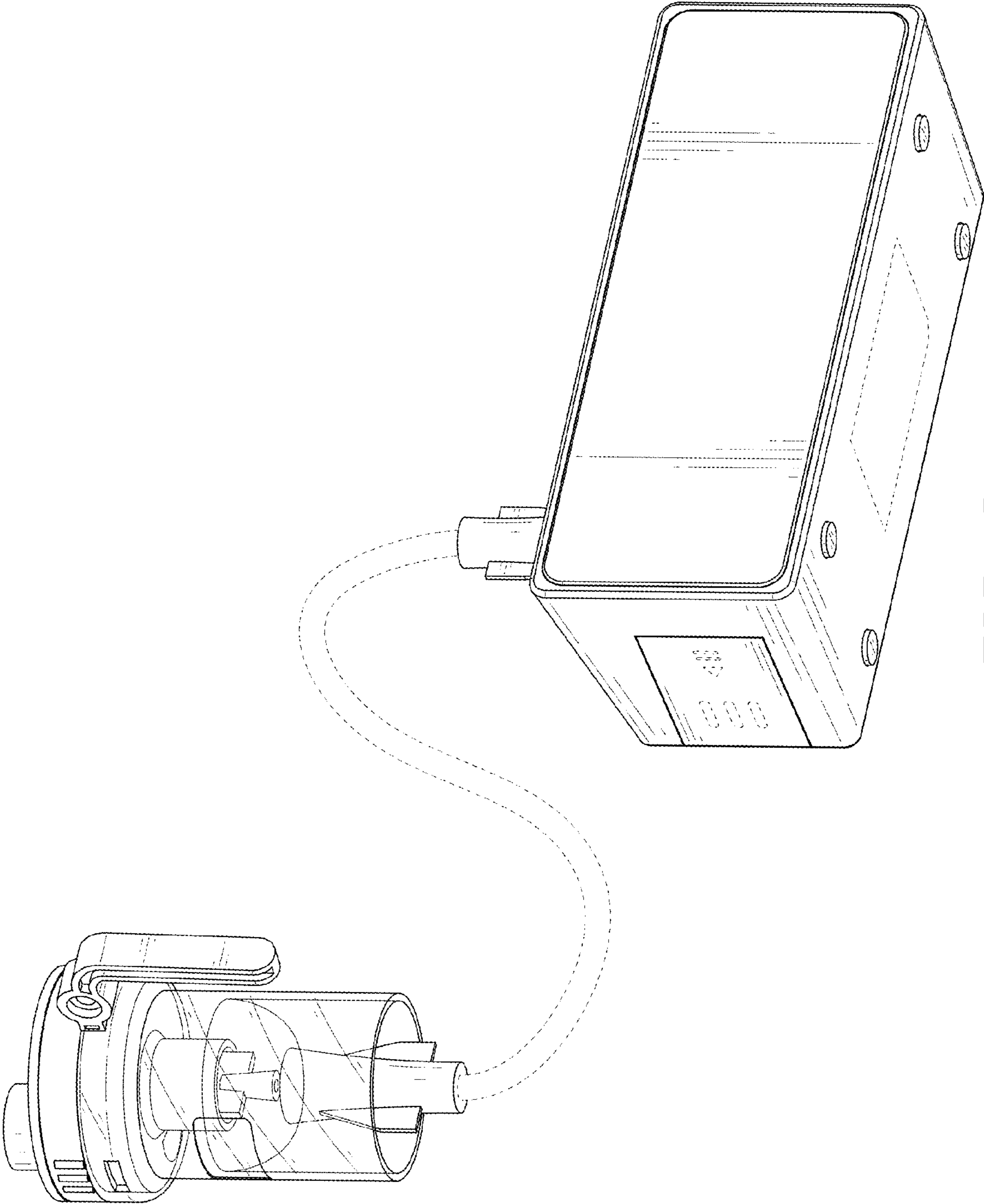


FIG. 2

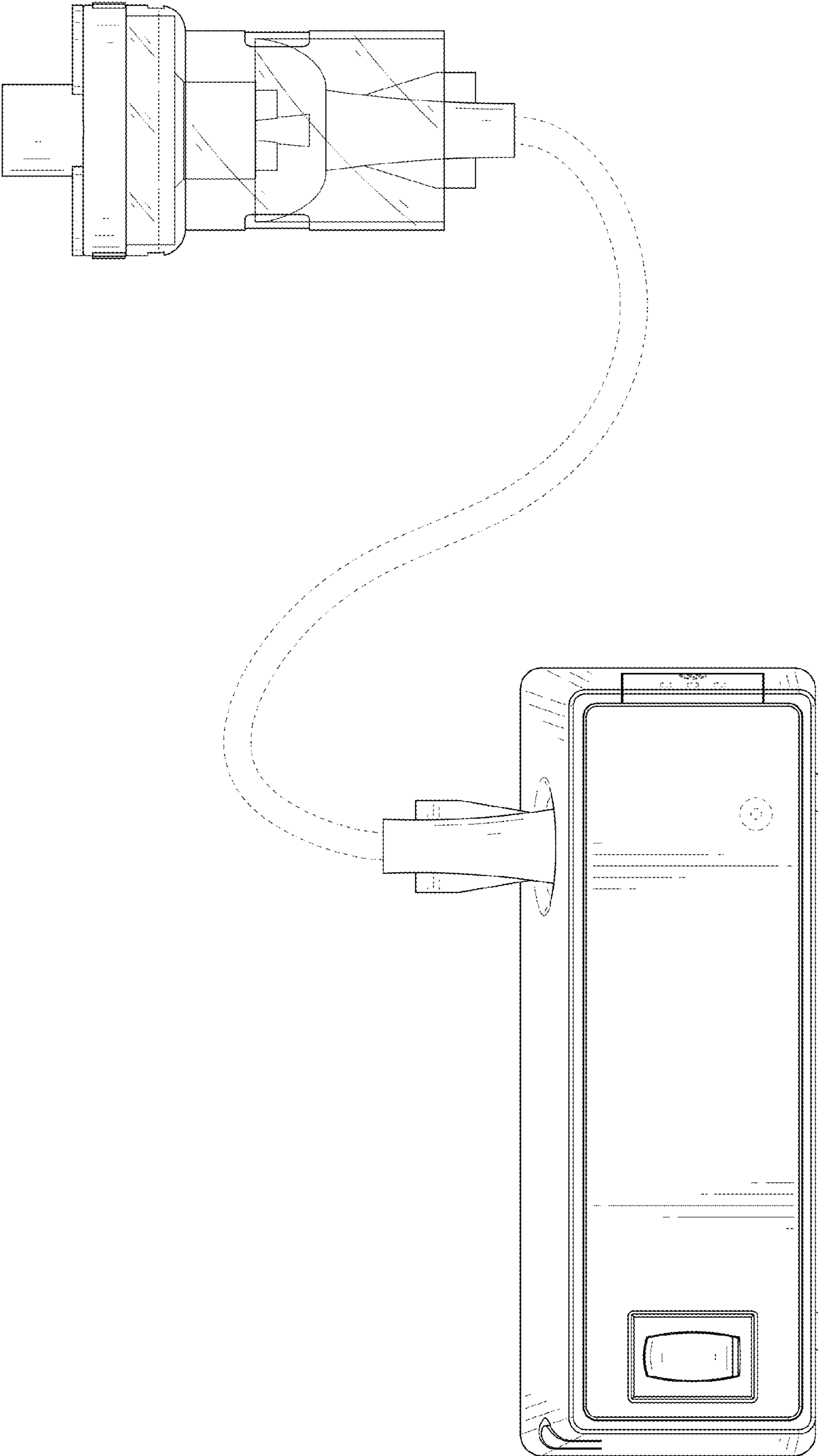


FIG. 3

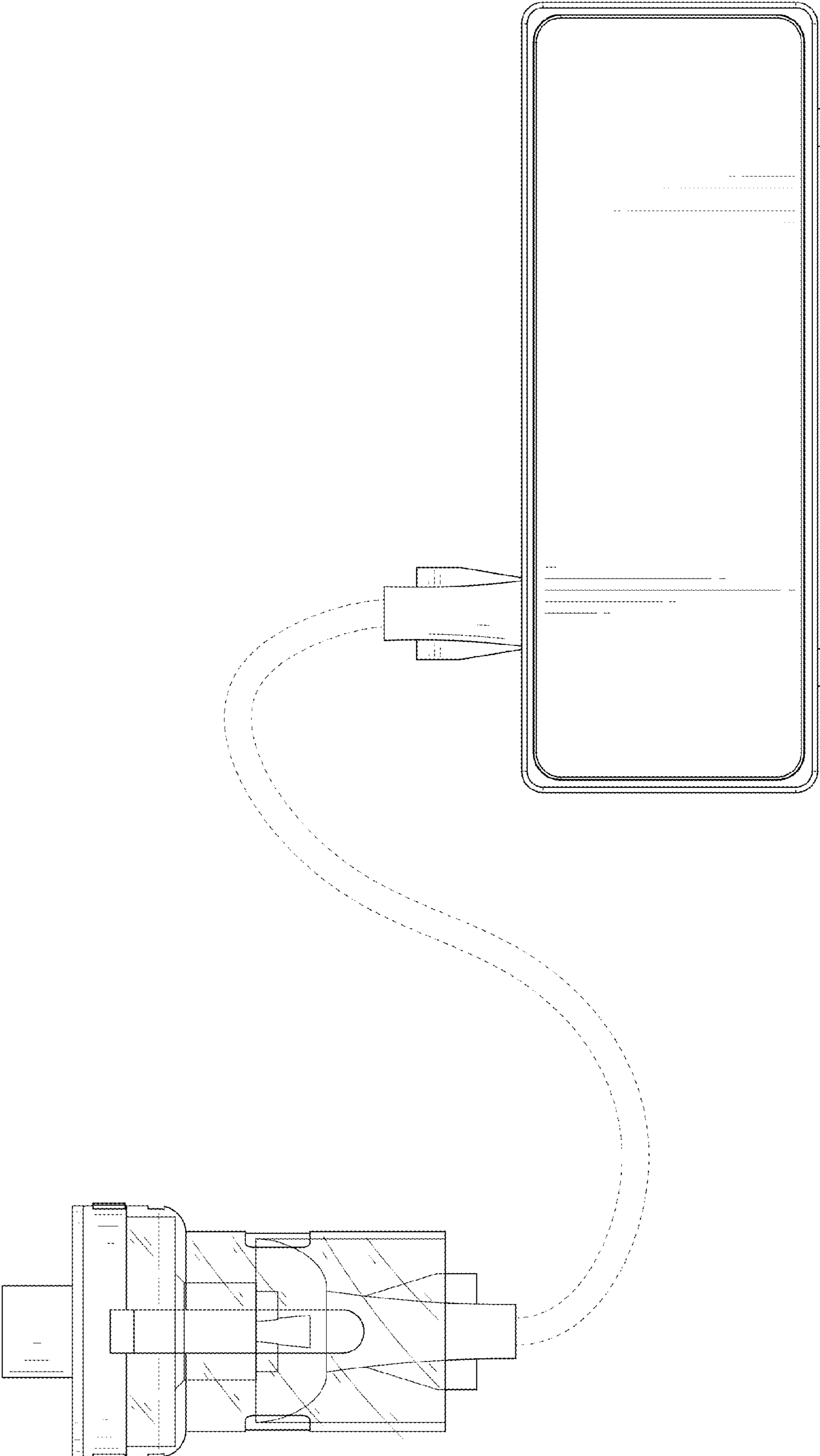


FIG. 4

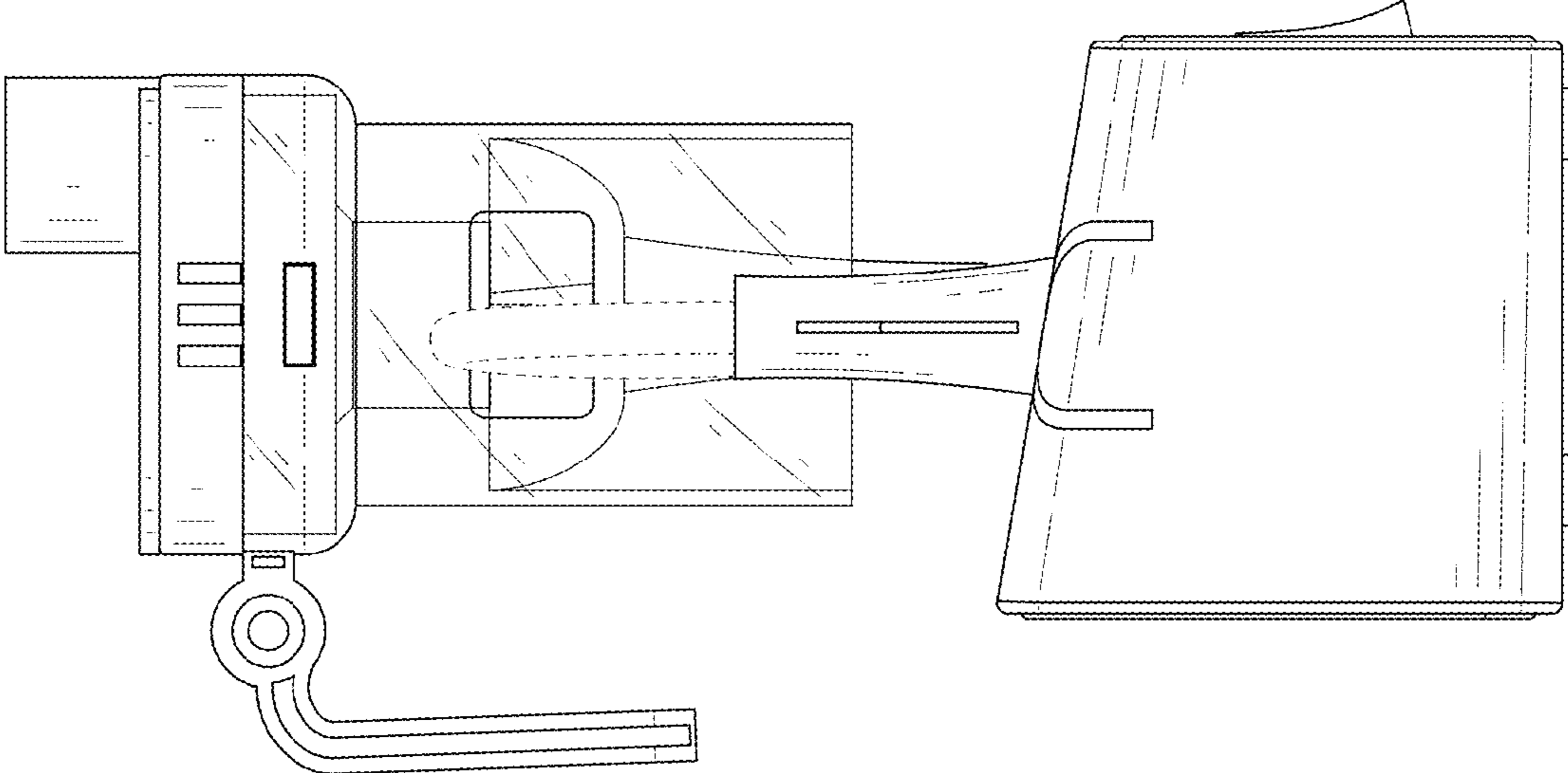


FIG. 5

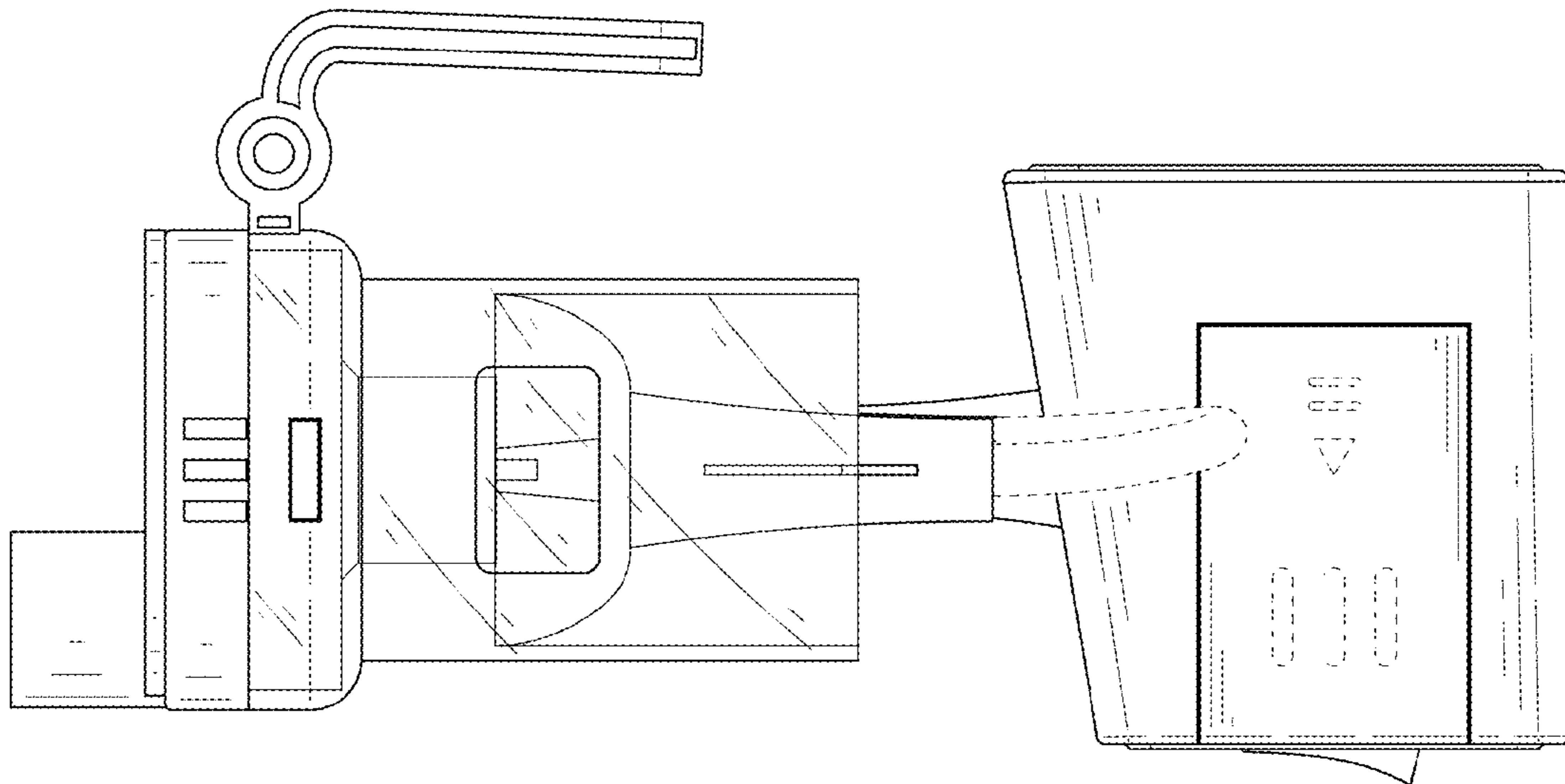


FIG. 6

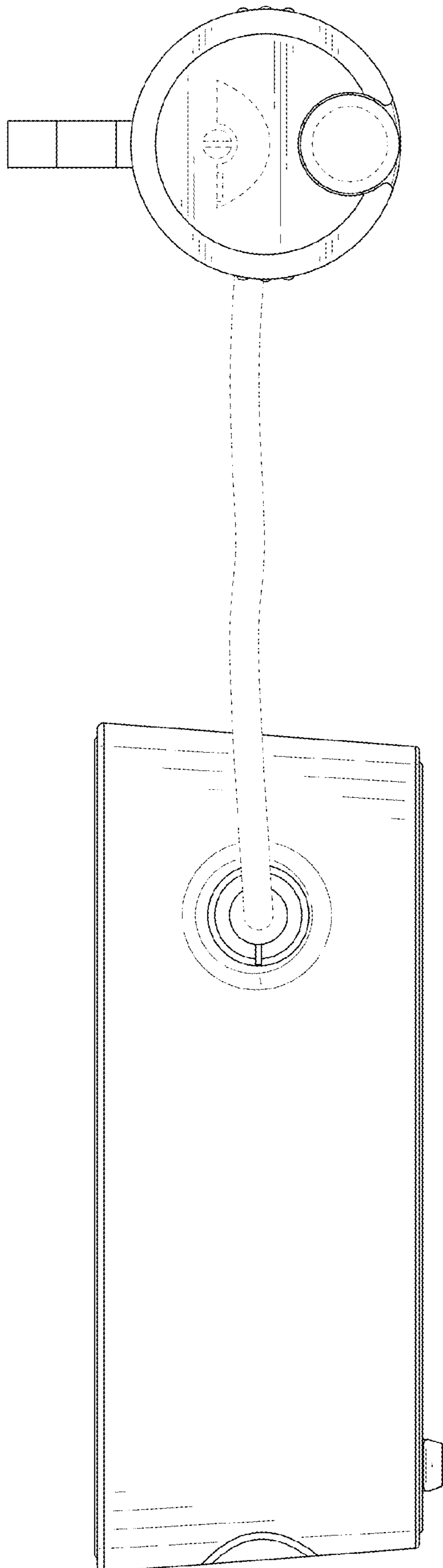


FIG. 7

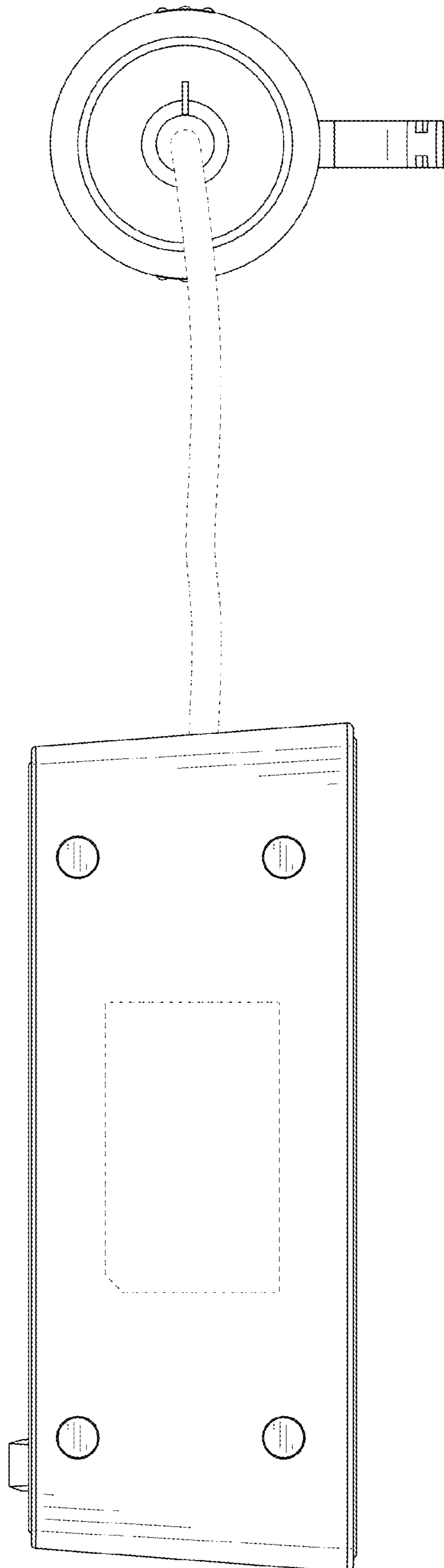


FIG. 8