



US00D921189S

(12) **United States Design Patent**
Shor et al.

(10) **Patent No.:** **US D921,189 S**
(45) **Date of Patent:** **** Jun. 1, 2021**

(54) **PUMP DEVICE PORTION WITH VIAL ADAPTERS**

(71) Applicant: **NeuroDerm, Ltd.**, Rehovot (IL)

(72) Inventors: **Eran Shor**, Arugot (IL); **Tsabar Mor**, Adi (IL); **Nir Lilach**, Kfar Yehoshua (IL); **Rami Grossfeld**, Haifa (IL); **Yoav Tikochinsky**, Tel Aviv (IL); **Serdar Ozsumer**, Milan (IT)

(73) Assignee: **NeuroDerm, Ltd.**, Rehovot (IL)

(**) Term: **15 Years**

(21) Appl. No.: **29/655,594**

(22) Filed: **Jul. 5, 2018**

(51) **LOC (13) Cl.** **24-02**

(52) **U.S. Cl.**
USPC **D24/111**

(58) **Field of Classification Search**
USPC D24/111–113, 127, 107, 108, 169, 129
CPC A61M 5/14248; A61M 2005/14268; A61M 5/14244; A61M 5/14284; A61M 5/14276
See application file for complete search history.

(56) **References Cited**

U.S. PATENT DOCUMENTS

D495,416	S	*	8/2004	Dimeo	A61J 1/2096
						D24/129
D630,732	S	*	1/2011	Lev	D24/129
D669,166	S	*	10/2012	Estes	D24/111
D669,980	S	*	10/2012	Lev	D24/129
D674,088	S	*	1/2013	Lev	D24/129
D687,541	S	*	8/2013	Estes	D24/111
D734,868	S	*	7/2015	Gilboa	D24/231
9,662,271	B2	*	5/2017	Holt	A61J 1/2051
10,463,572	B2	*	11/2019	Shor	A61M 5/14216
10,463,787	B2	*	11/2019	Shor	A61M 5/1413
D868,689	S	*	12/2019	Shor	D13/108
10,603,430	B2	*	3/2020	Shor	A61M 5/1782

D887,577	S	*	6/2020	Shor	D24/227
2003/0100863	A1	*	5/2003	Shekalim	A61M 5/16881
						604/141
2012/0143133	A1	*	6/2012	Congnome Cane'	A61M 5/1422
						604/131

(Continued)

FOREIGN PATENT DOCUMENTS

EM	005940509-0001	*	3/2019
EM	005940509-0003	*	3/2019

(Continued)

Primary Examiner — Lilyana Bekic

(74) *Attorney, Agent, or Firm* — Goodwin Procter LLP

(57) **CLAIM**

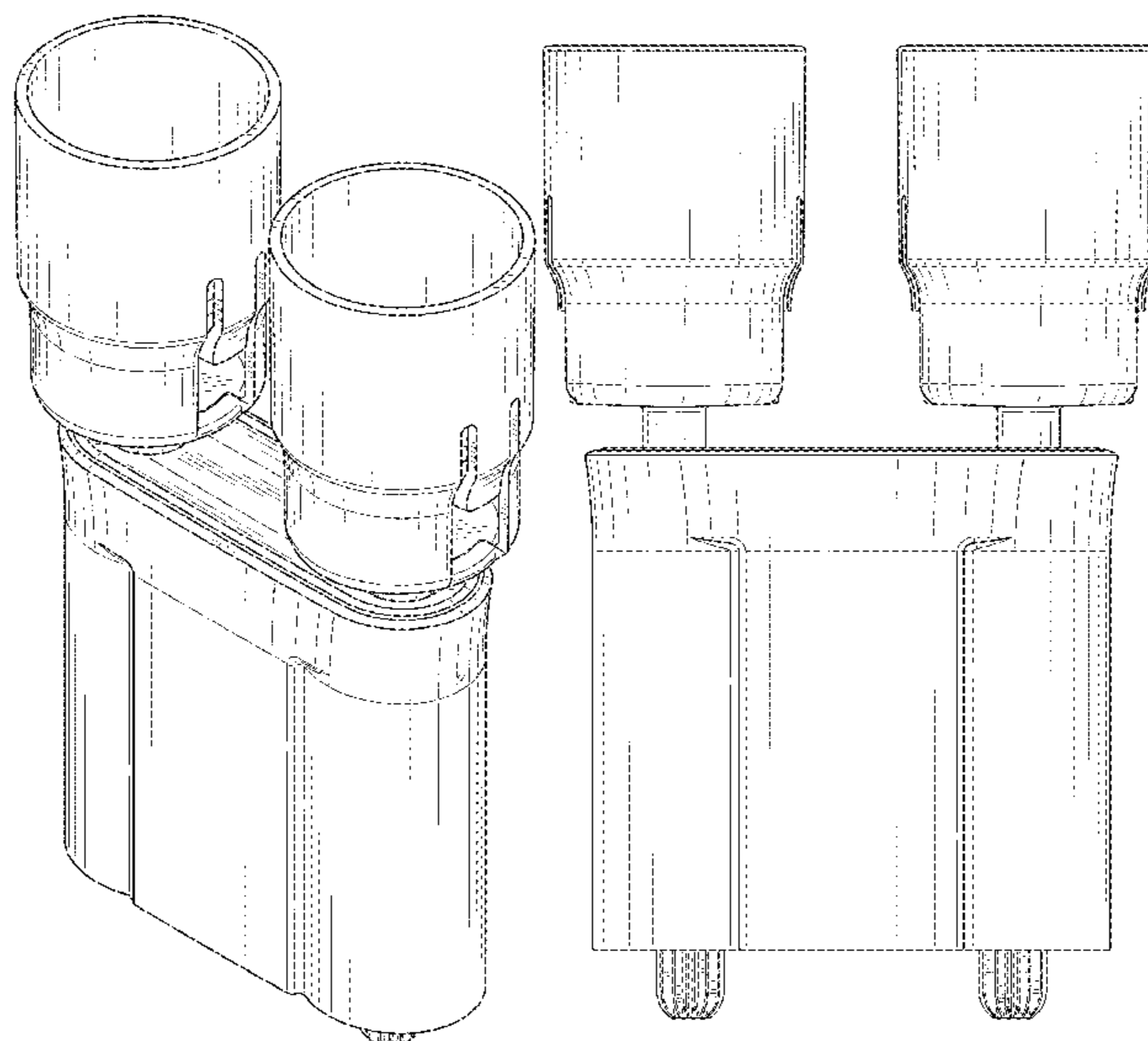
The ornamental design for a pump device portion with vial adapters, as shown and described.

DESCRIPTION

FIG. 1 is a front perspective view of a pump device portion with vial adapters;
 FIG. 2 is a front of the pump device portion with vial adapters;
 FIG. 3 is a rear view of the pump device portion with vial adapters;
 FIG. 4 is a right side view of the pump device portion with vial adapters;
 FIG. 5 is a left side view of the pump device portion with vial adapters;
 FIG. 6 is a top view of the pump device portion with vial adapters;
 FIG. 7 is a bottom view of the pump device portion with vial adapters; and,
 FIG. 8 is a rear perspective view of the pump device portion with vial adapters.

The broken lines shown in the drawings depict portions of the pump device portion with vial adapters that form no part of the claimed design.

1 Claim, 6 Drawing Sheets



(56)

References Cited

U.S. PATENT DOCUMENTS

2012/0330270 A1* 12/2012 Colton A61M 5/1456
604/500
2014/0194818 A1* 7/2014 Yodfat A61M 5/31576
604/151
2016/0184512 A1* 6/2016 Marbet A61M 5/14248
604/156
2016/0310662 A1* 10/2016 Schabbach A61M 5/14228
2019/0009019 A1* 1/2019 Shor A61M 5/31528
2019/0201614 A1* 7/2019 Shor A61M 5/1407
2019/0209773 A1* 7/2019 Shor A61M 5/345
2019/0214967 A1* 7/2019 Shor A61J 1/2013
2019/0358393 A1* 11/2019 Marbet A61M 5/14248
2020/0093984 A1* 3/2020 Shor A61M 5/31528
2020/0345929 A1* 11/2020 Ben-David A61M 5/1456

FOREIGN PATENT DOCUMENTS

JP D1631226 * 5/2019
JP D1631656 * 5/2019
JP D1631658 * 5/2019
JP D1638334 * 8/2019

* cited by examiner

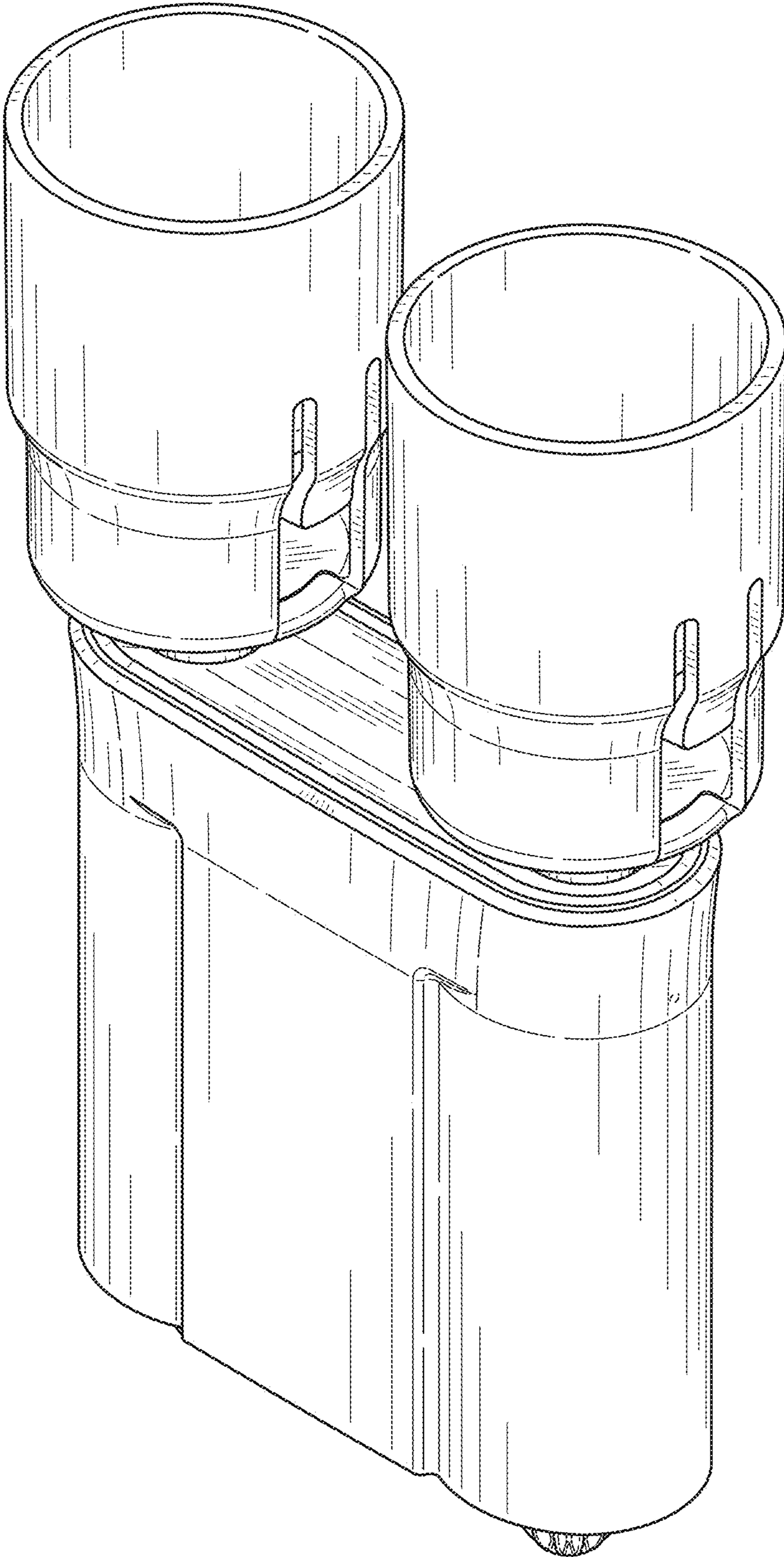


FIG. 1

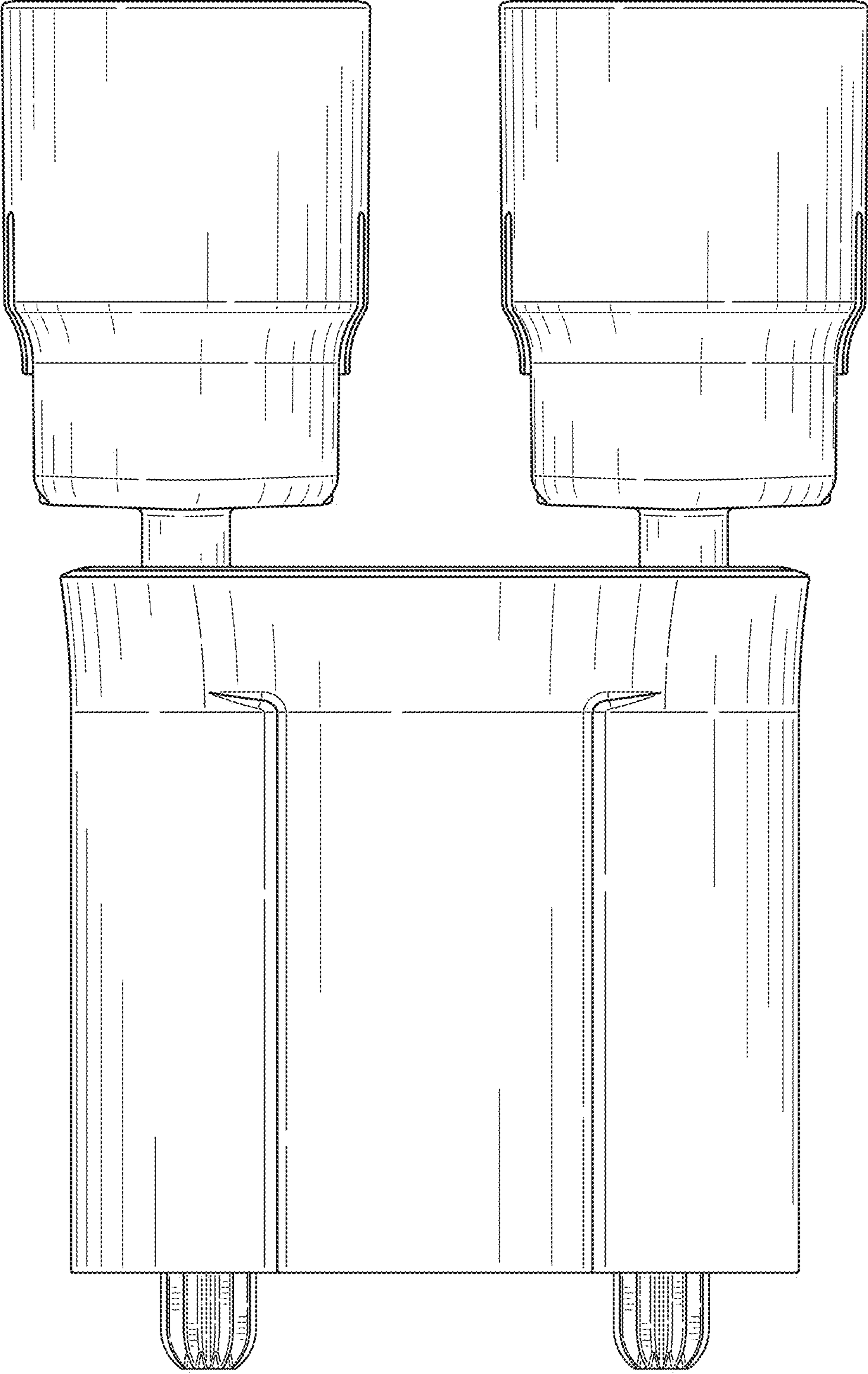


FIG. 2

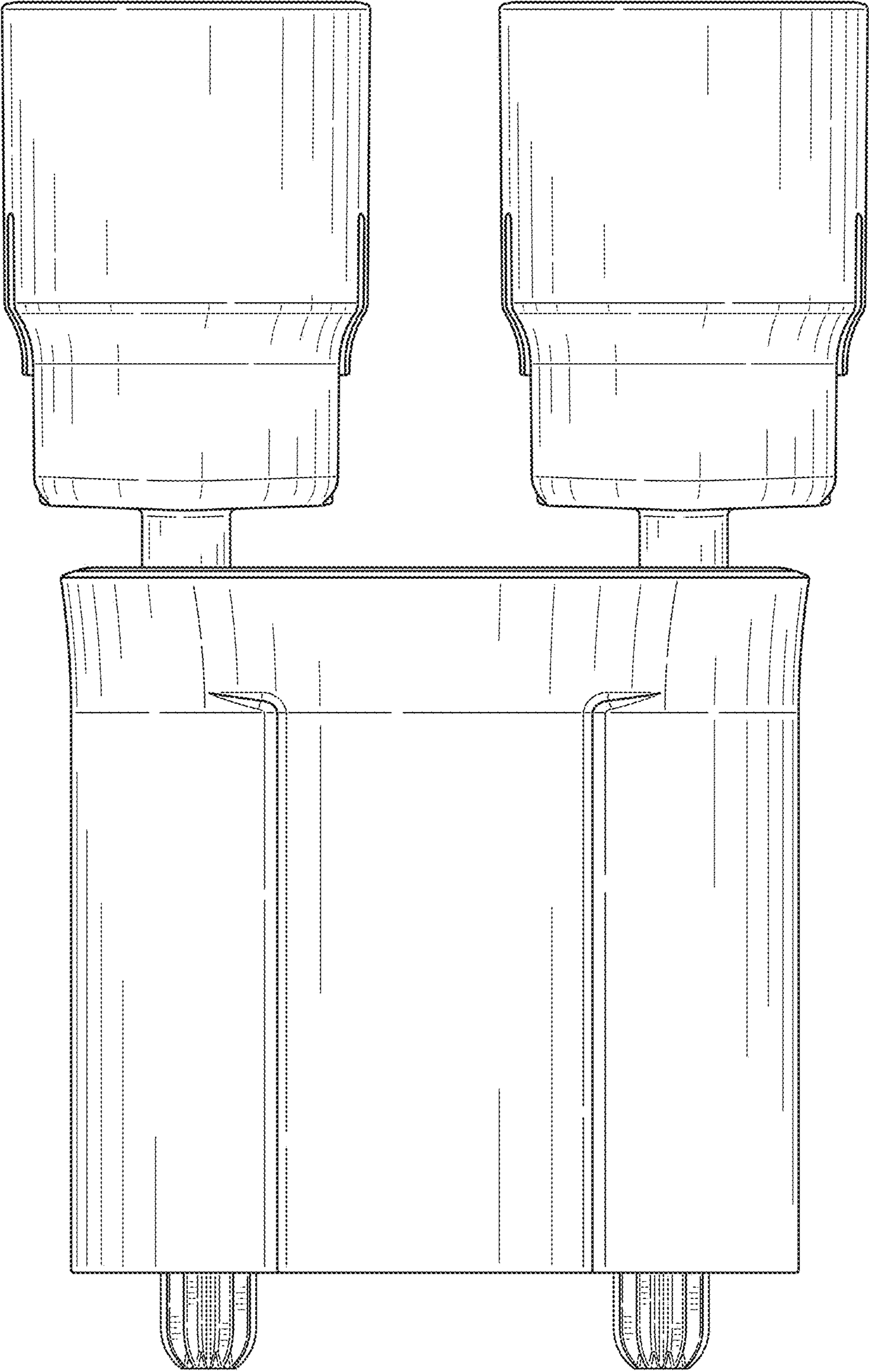


FIG. 3

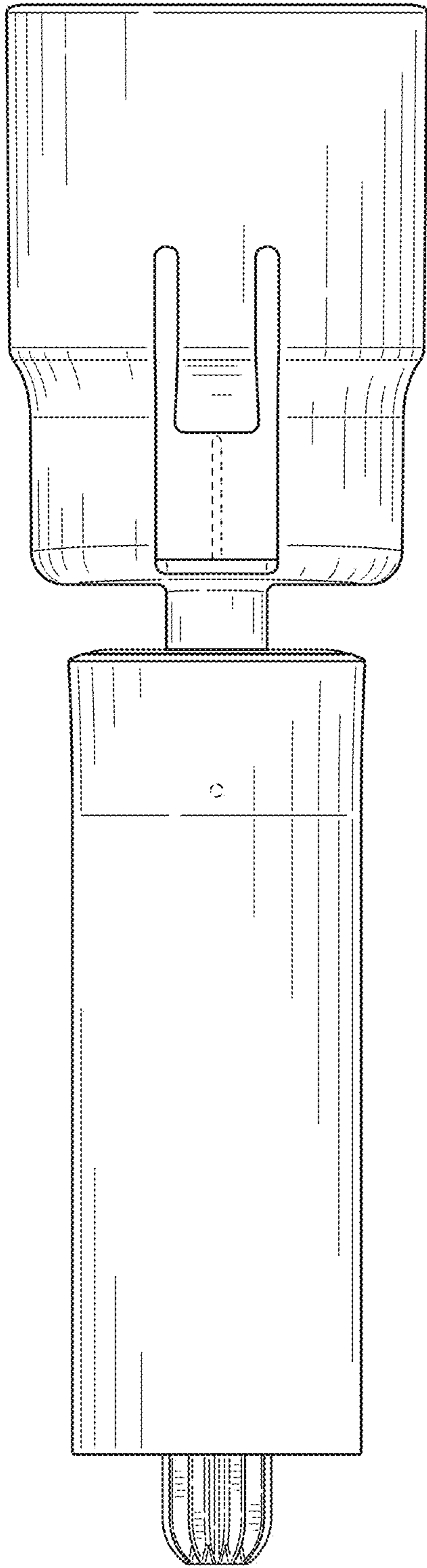


FIG. 4

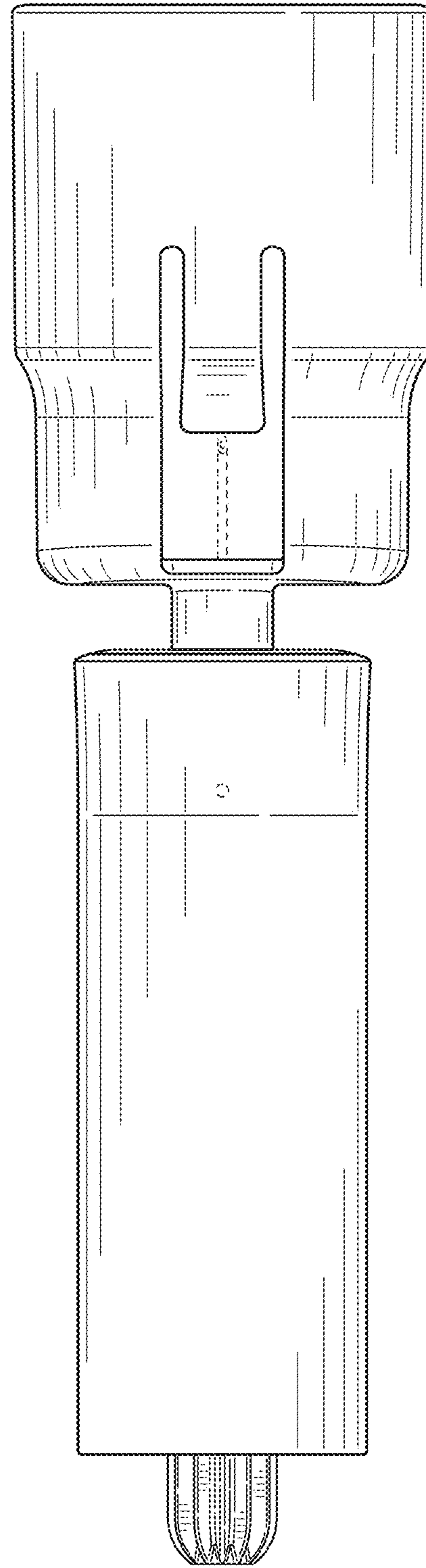


FIG. 5

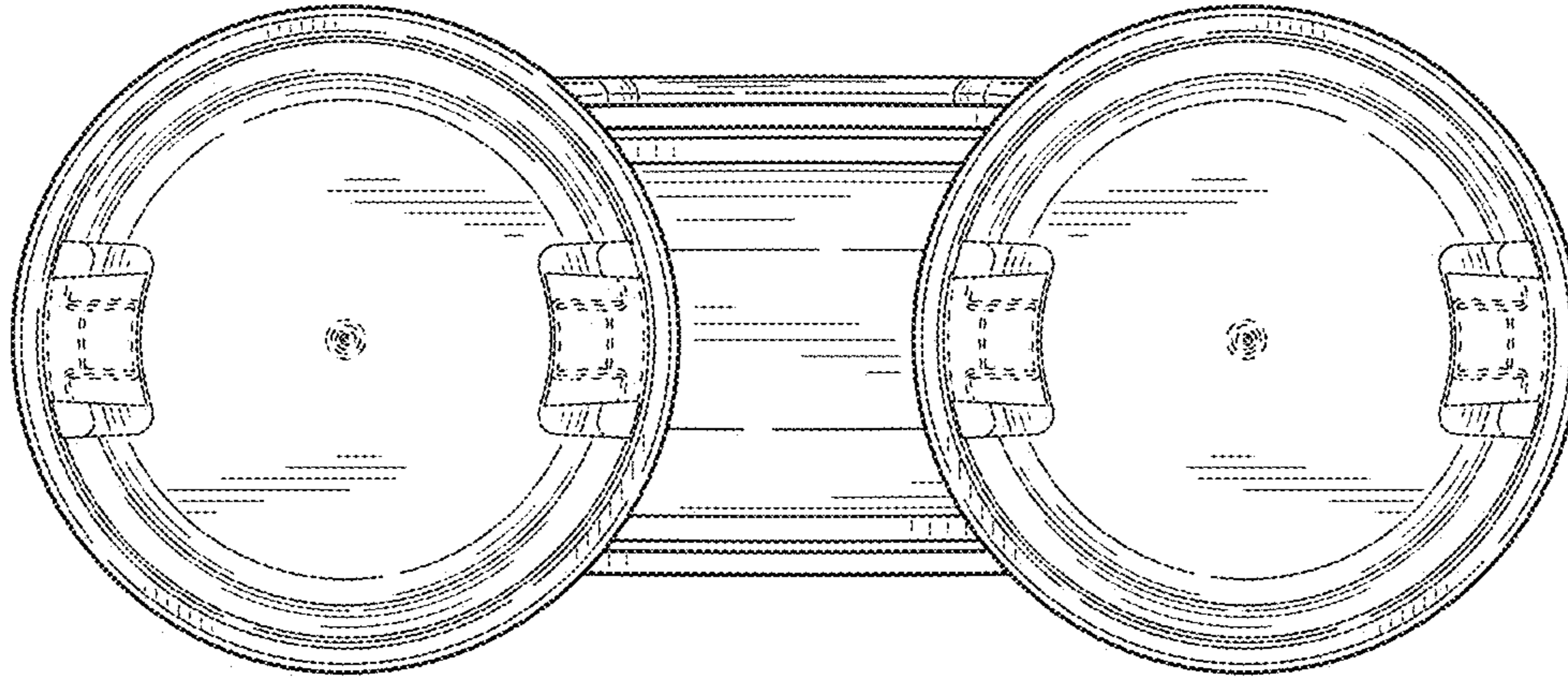


FIG. 6

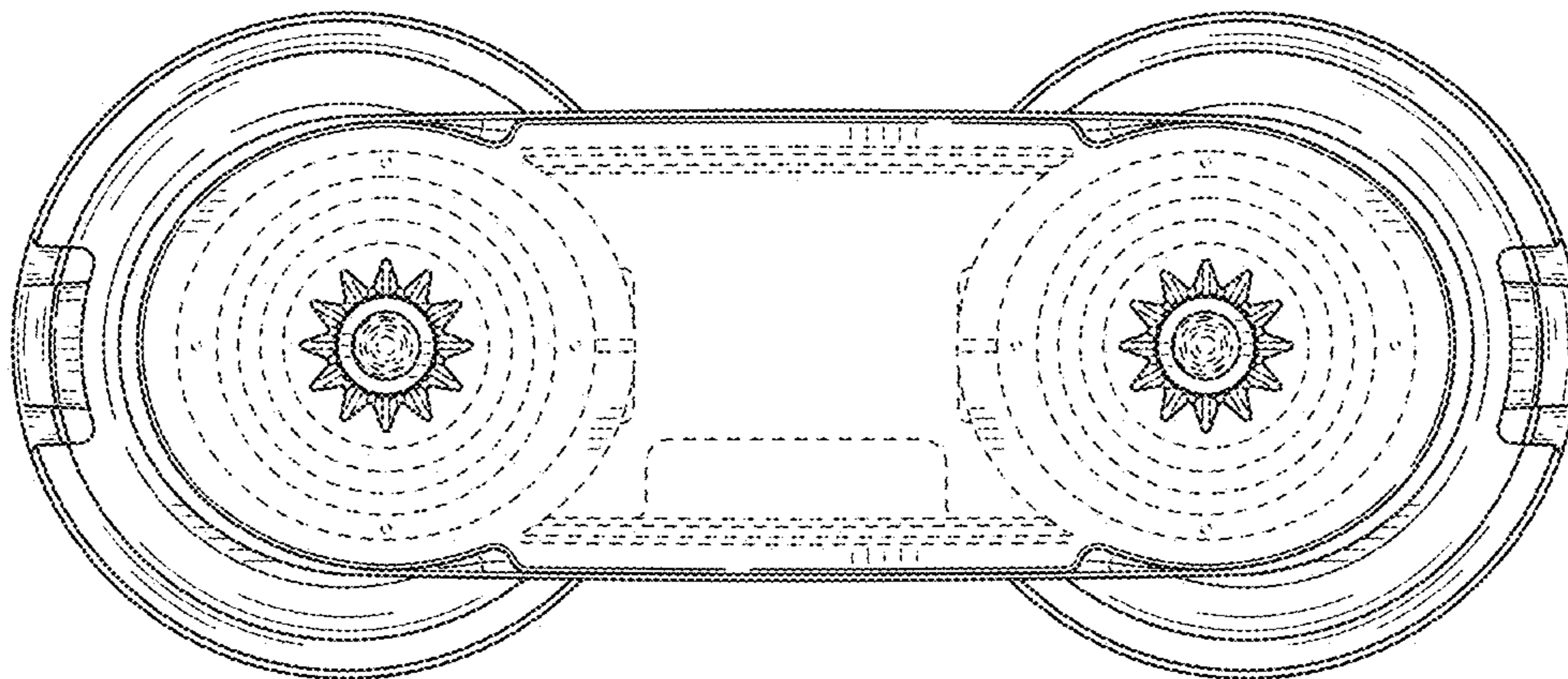


FIG. 7

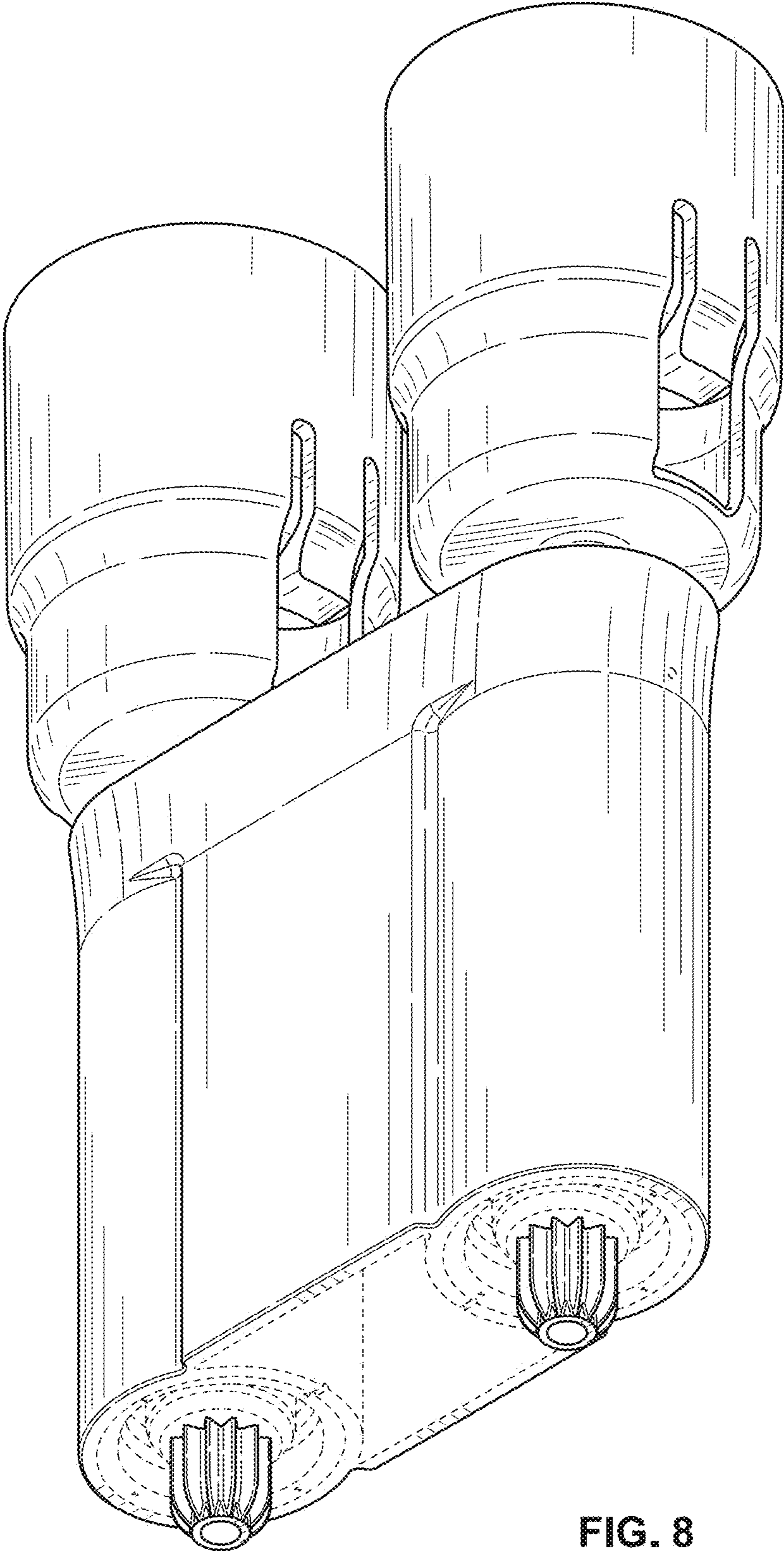


FIG. 8