



US00D921188S

(12) **United States Design Patent** (10) **Patent No.:** **US D921,188 S**
Shor et al. (45) **Date of Patent:** **** Jun. 1, 2021**

(54) **PUMP DEVICE PORTION**
(71) Applicant: **NeuroDerm, Ltd.**, Rehovot (IL)
(72) Inventors: **Eran Shor**, Arugot (IL); **Tsabar Mor**,
Adi (IL); **Nir Lilach**, Kfar Yehoshua
(IL); **Rami Grossfeld**, Haifa (IL); **Yoav**
Tikochinsky, Tel Aviv (IL); **Serdar**
Ozsumer, Milan (IT)

(73) Assignee: **NeuroDerm, Ltd.**, Rehovot (IL)

(**) Term: **15 Years**

(21) Appl. No.: **29/655,589**

(22) Filed: **Jul. 5, 2018**

(51) **LOC (13) Cl.** **24-02**

(52) **U.S. Cl.**
USPC **D24/111**

(58) **Field of Classification Search**
USPC D24/111-113, 127, 107, 108, 169
CPC A61M 5/14248; A61M 2005/14268; A61M
5/14244; A61M 5/14284; A61M 5/14276
See application file for complete search history.

(56) **References Cited**

U.S. PATENT DOCUMENTS

D669,166 S * 10/2012 Estes D24/111
D687,541 S * 8/2013 Estes D24/111
10,463,572 B2 * 11/2019 Shor A61M 5/14216
10,463,787 B2 * 11/2019 Shor A61M 5/1413
D868,689 S * 12/2019 Shor D13/108
10,603,430 B2 * 3/2020 Shor A61M 5/1782
2003/0100863 A1 * 5/2003 Shekalim A61M 5/16881
604/141
2012/0143133 A1 * 6/2012 Congnome Cane'
A61M 5/1422
604/131

2012/0330270 A1 * 12/2012 Colton A61M 5/1456
604/500
2014/0194818 A1 * 7/2014 Yodfat A61M 5/31576
604/151
2016/0184512 A1 * 6/2016 Marbet A61M 5/14248
604/156
2016/0310662 A1 * 10/2016 Schabbach A61M 5/14228
2019/0009019 A1 * 1/2019 Shor A61M 5/31528
2019/0201614 A1 * 7/2019 Shor A61M 5/1407
2019/0209773 A1 * 7/2019 Shor A61M 5/345
2019/0214967 A1 * 7/2019 Shor A61J 1/2013
2019/0358393 A1 * 11/2019 Marbet A61M 5/14248
2020/0093984 A1 * 3/2020 Shor A61M 5/31528
2020/0345929 A1 * 11/2020 Ben-David A61M 5/1456

FOREIGN PATENT DOCUMENTS

EM 005940509-0001 * 3/2019
EM 005940509-0003 * 3/2019
JP D1631226 * 5/2019

(Continued)

Primary Examiner — Lilyana Bekic

(74) *Attorney, Agent, or Firm* — Goodwin Procter LLP

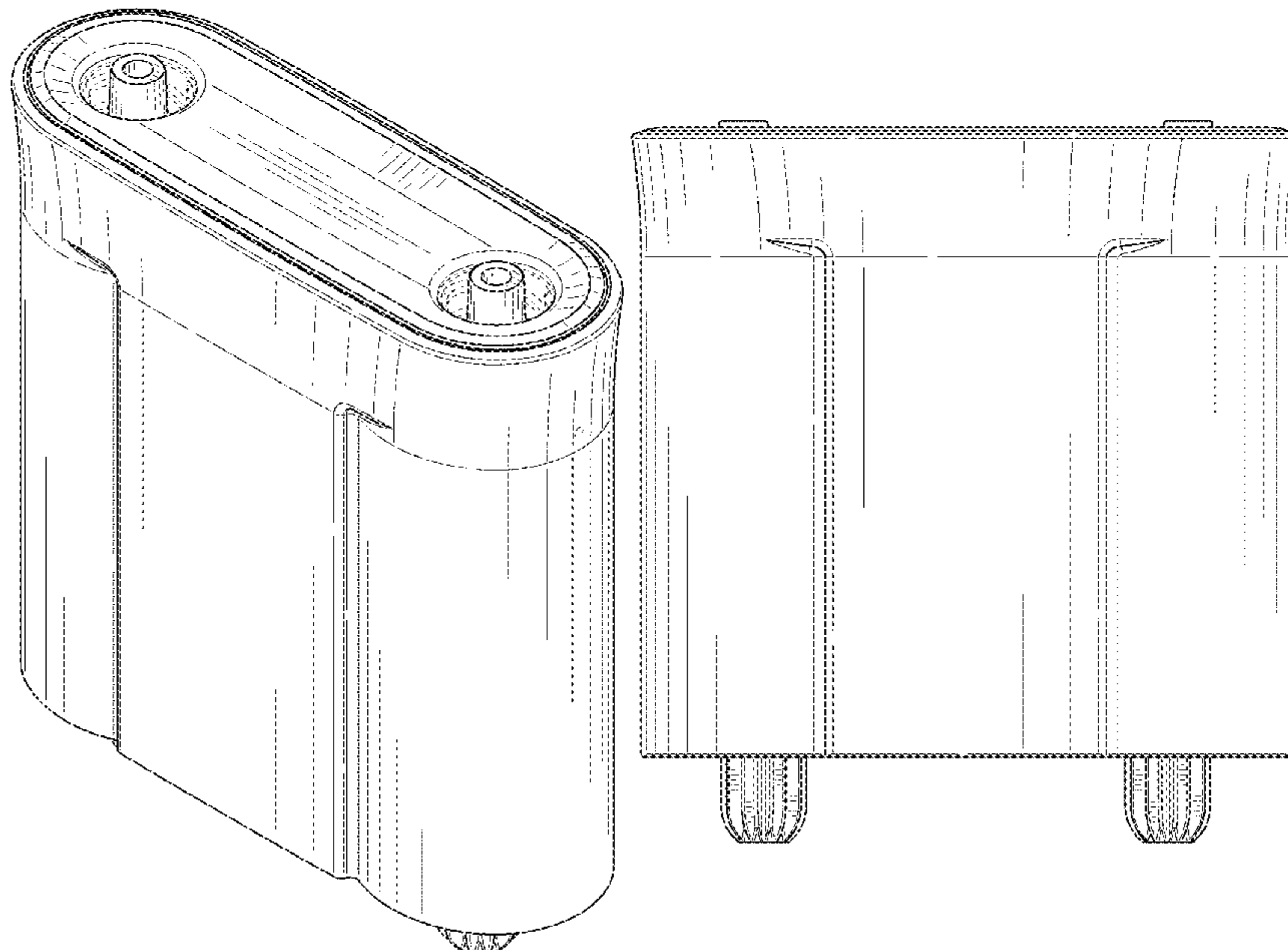
(57) **CLAIM**

The ornamental design for a pump device portion, as shown and described.

DESCRIPTION

FIG. 1 is a front perspective view of a pump device portion; FIG. 2 is a front of the pump device portion; FIG. 3 is a rear view of the pump device portion; FIG. 4 is a right side view of the pump device portion; FIG. 5 is a left side view of the pump device portion; FIG. 6 is a top view of the pump device portion; FIG. 7 is a bottom view of the pump device portion; and, FIG. 8 is a rear perspective view of the pump device portion. The broken lines shown in the drawings depict portions of the pump device that form no part of the claimed design.

1 Claim, 6 Drawing Sheets



(56)

References Cited

FOREIGN PATENT DOCUMENTS

JP	D1631656	*	5/2019
JP	D1631658	*	5/2019
JP	D1638334	*	8/2019

* cited by examiner

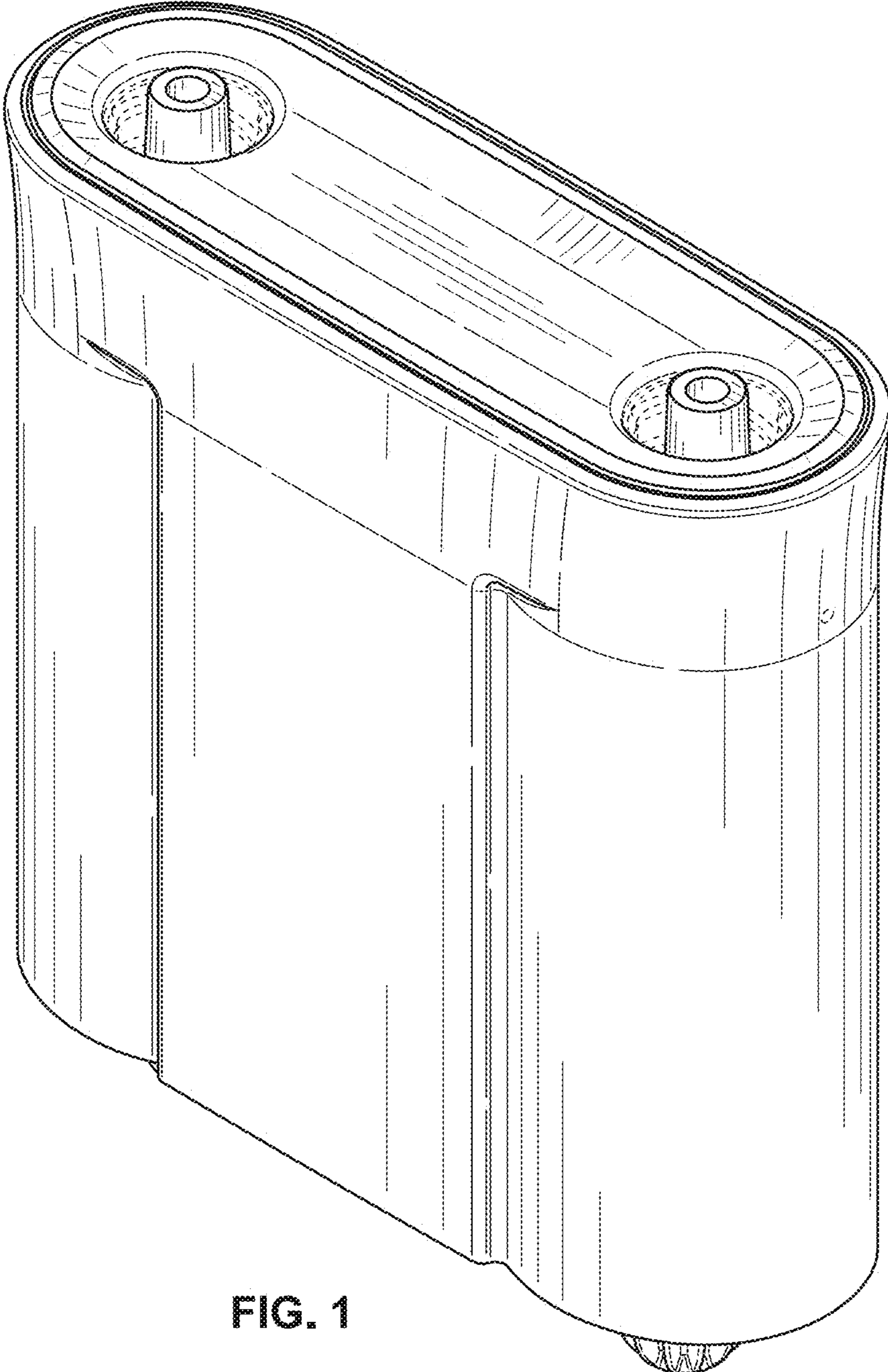


FIG. 1

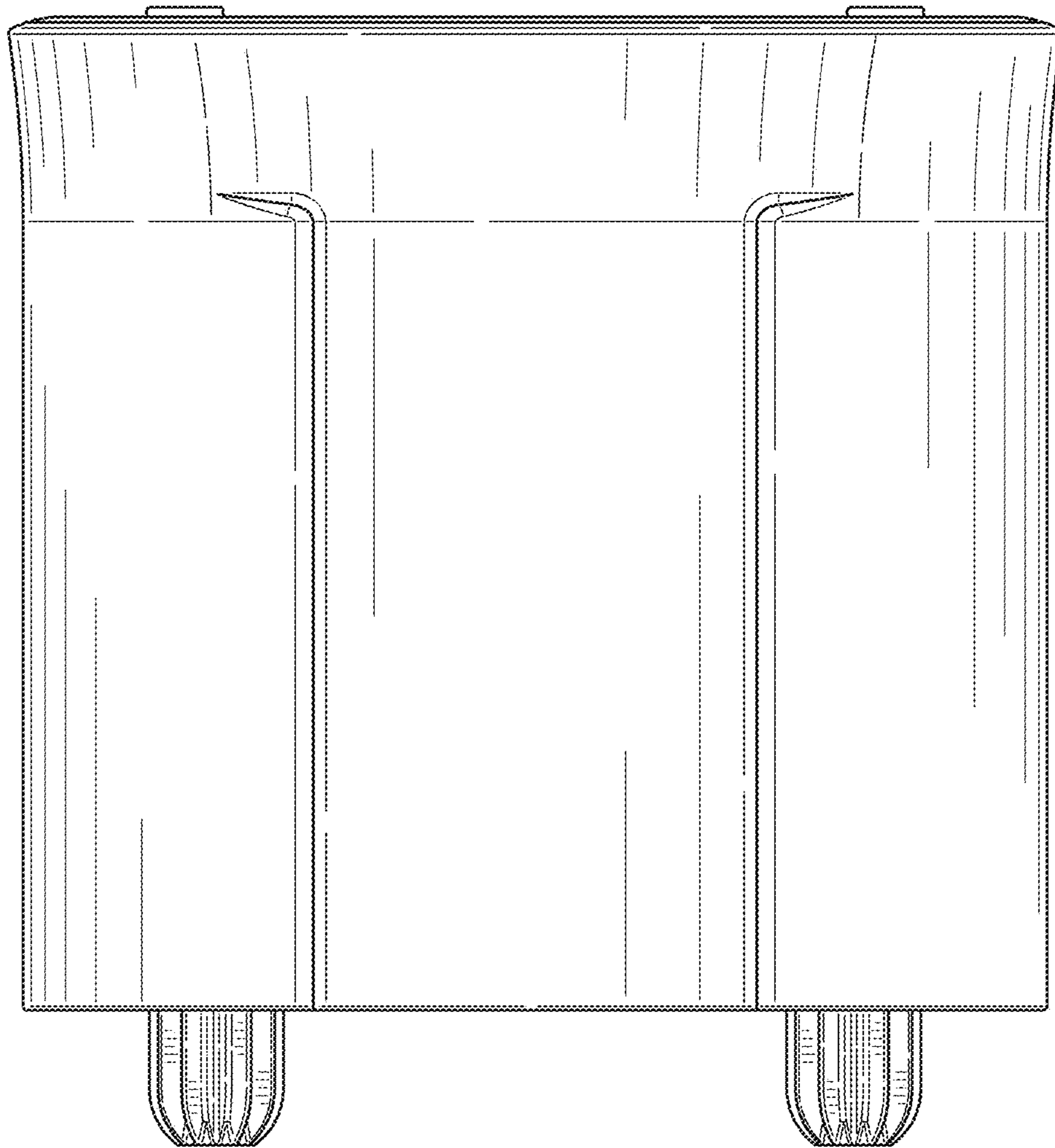


FIG. 2

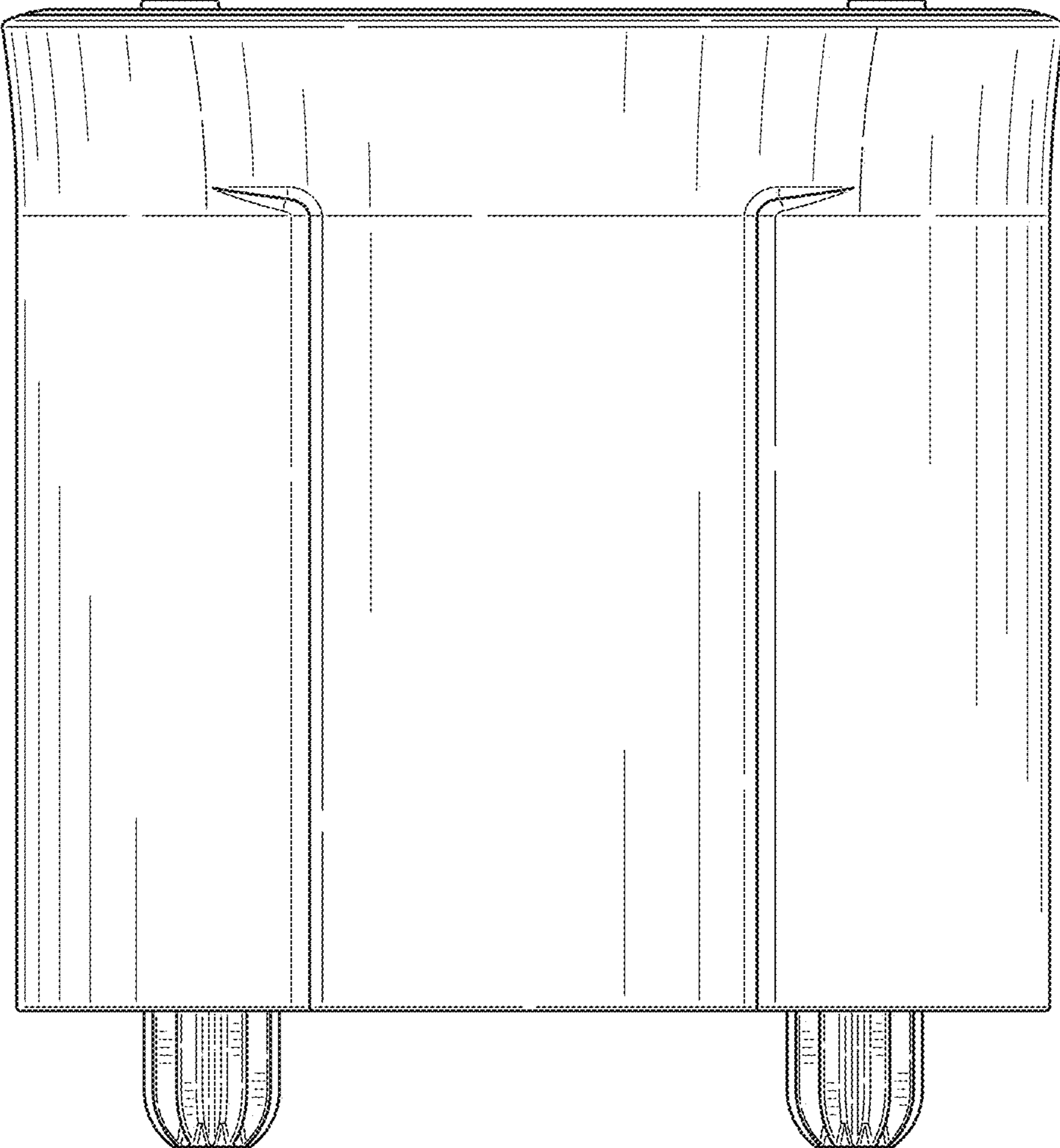


FIG. 3

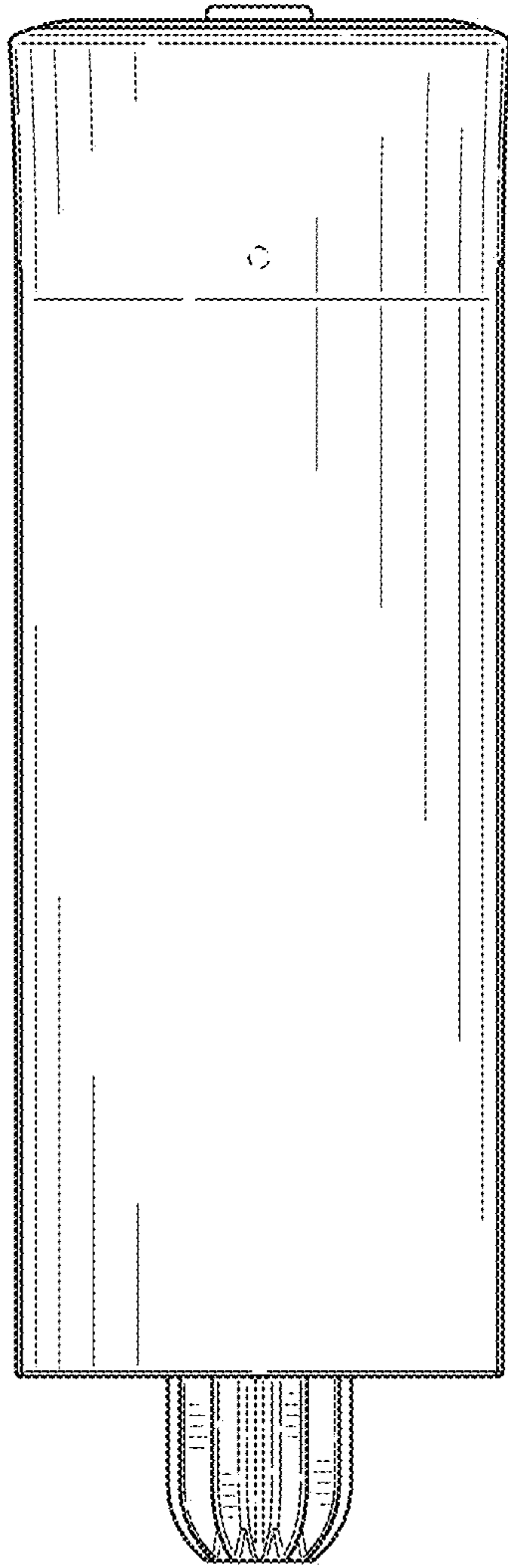


FIG. 4

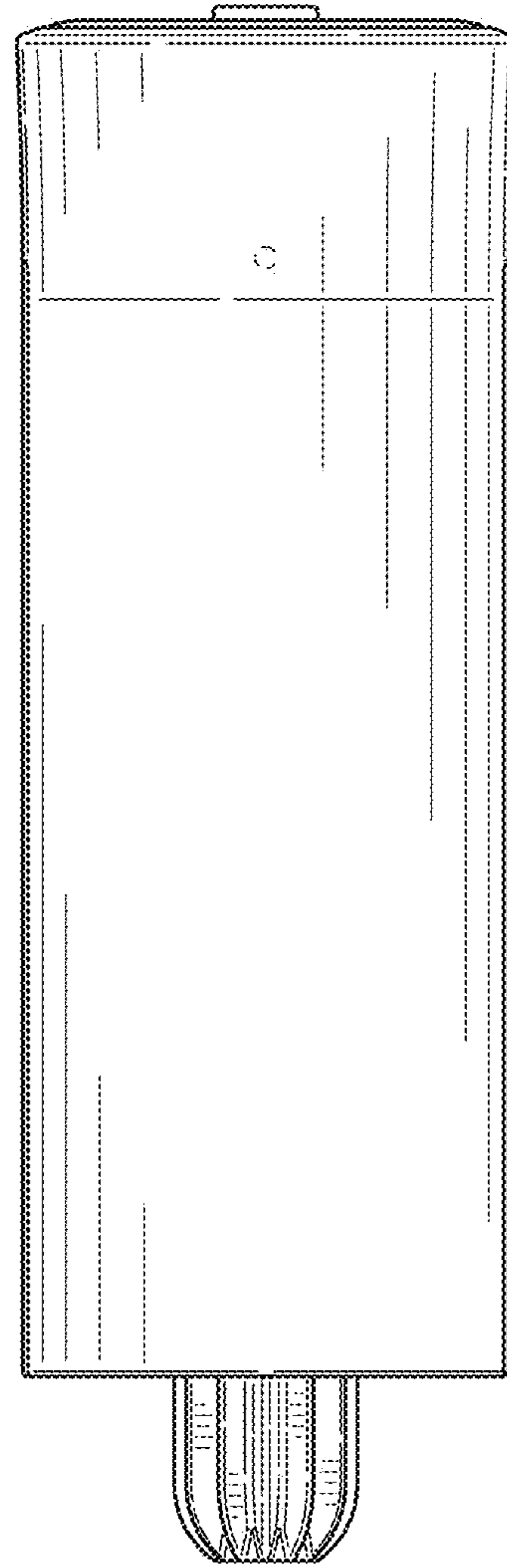


FIG. 5

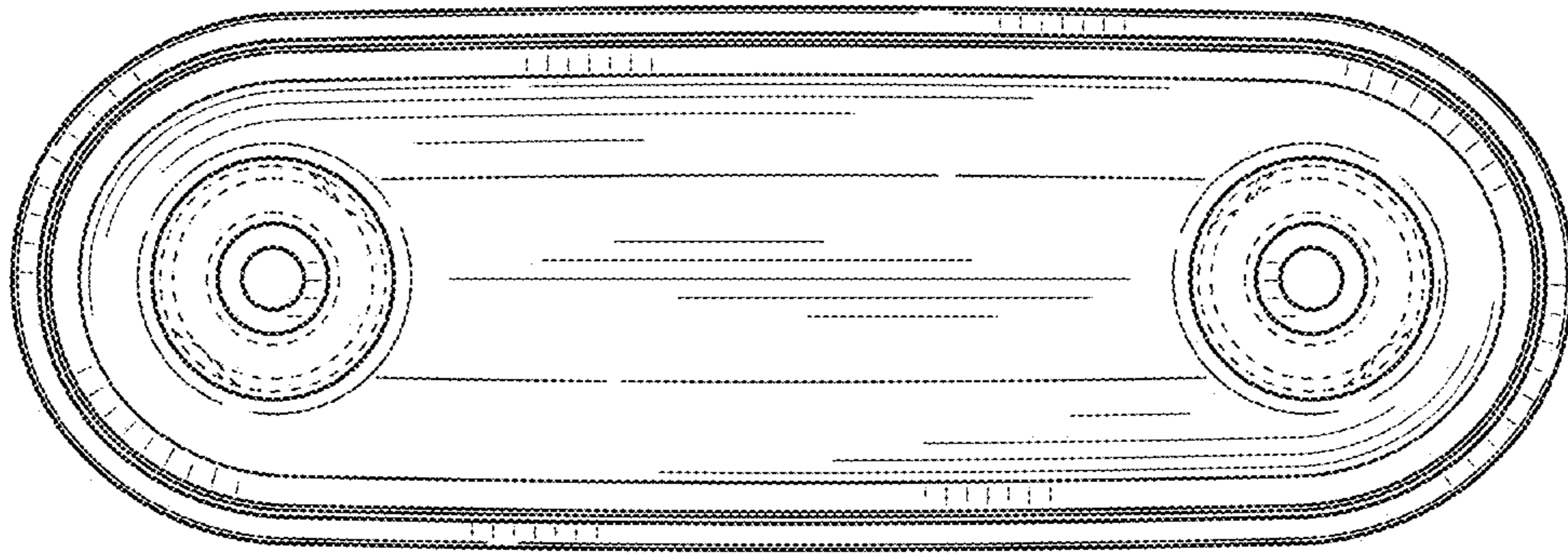


FIG. 6

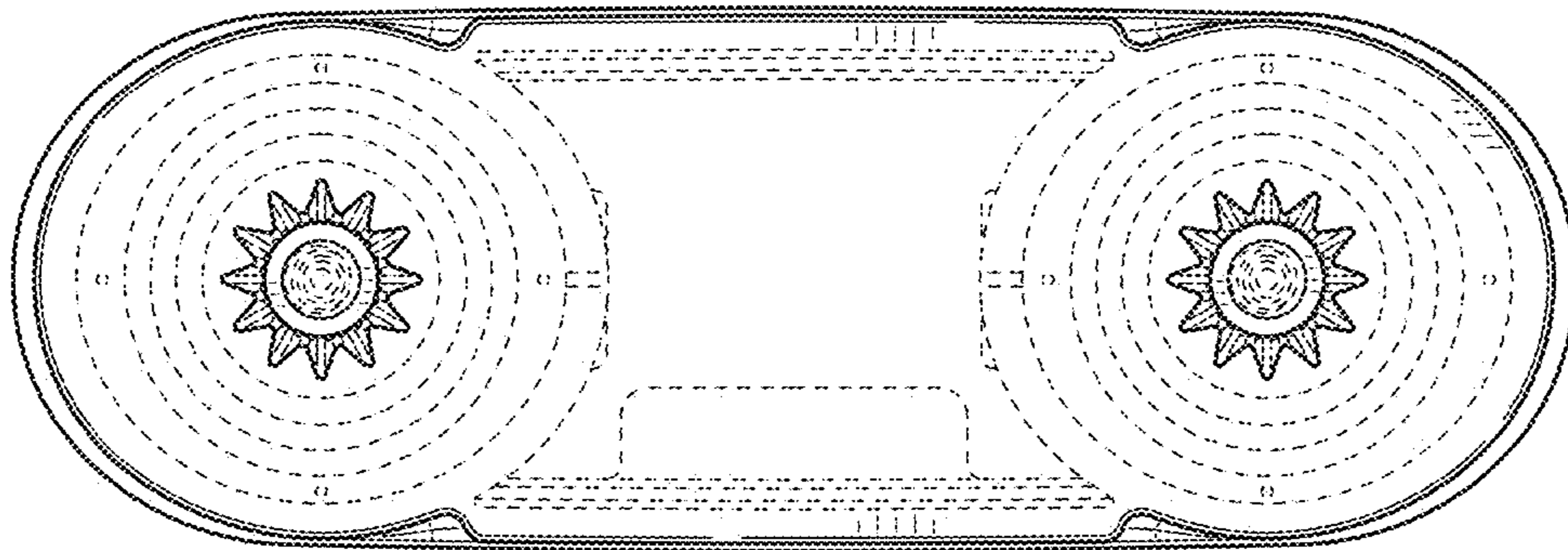


FIG. 7

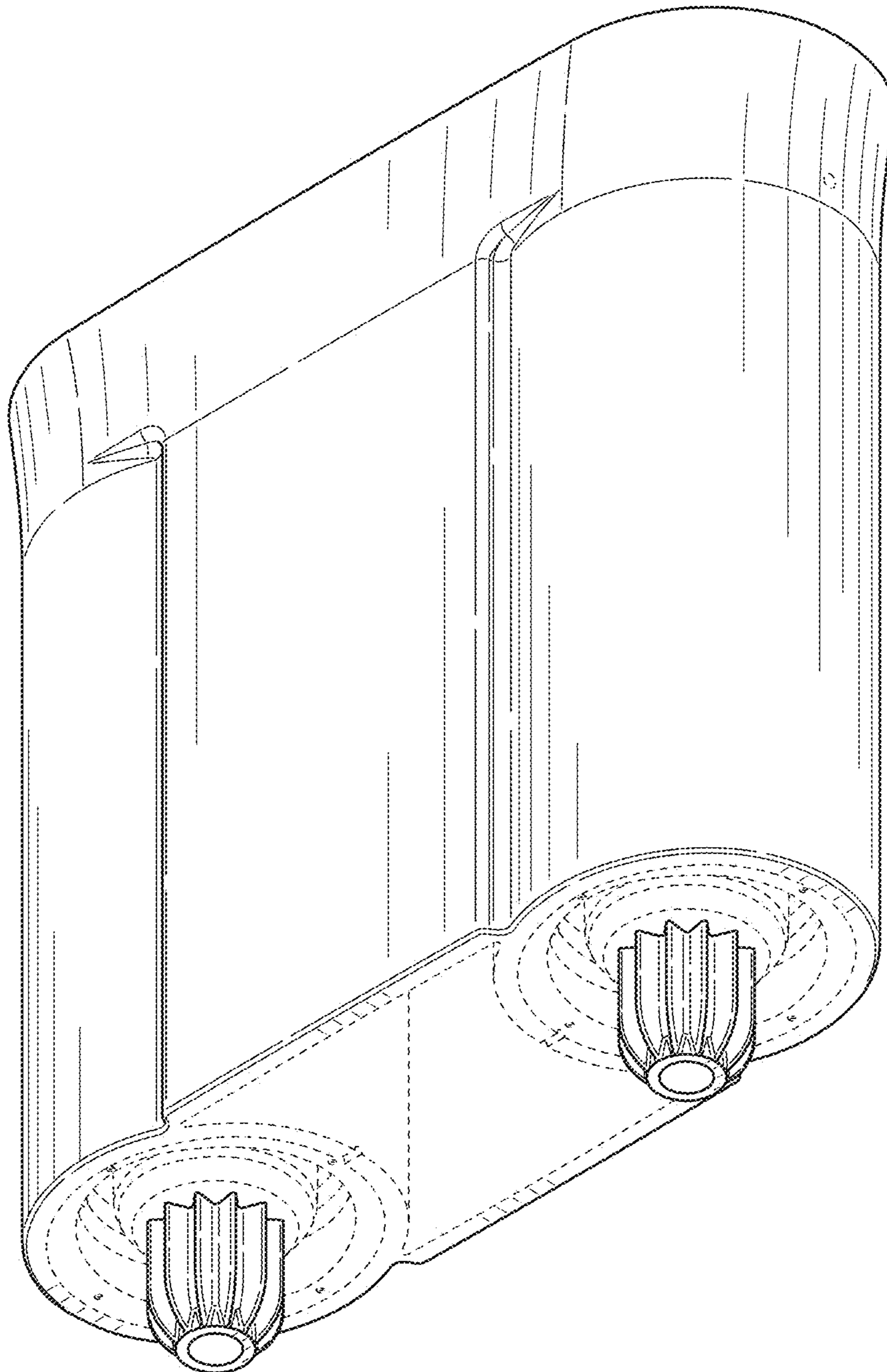


FIG. 8