



US00D921186S

(12) **United States Design Patent** (10) **Patent No.:** **US D921,186 S**
Hulford et al. (45) **Date of Patent:** **** *Jun. 1, 2021**

(54) **MEDICAL DEVICE BUTTON CONFIGURATION**

Internet, <URL: https://www.youtube.com/watch?v=oEOf-mD_eUc> (Year: 2015).*

(Continued)

(71) Applicant: **Intuitive Surgical Operations, Inc.**, Sunnyvale, CA (US)

Primary Examiner — Aula Soroush

(72) Inventors: **Timothy B. Hulford**, Burlingame, CA (US); **Robert B. Hubler**, Woodinville, WA (US); **Elie Eyrarn Ahovi**, San Francisco, CA (US); **Craig Tsuji**, San Jose, CA (US); **Edward P. Donlon**, San Jose, CA (US)

(74) *Attorney, Agent, or Firm* — Haynes and Boone, LLP

(57) **CLAIM**

The ornamental design for a medical device button configuration, as shown and described.

(73) Assignee: **INTUITIVE SURGICAL OPERATIONS, INC.**, Sunnyvale, CA (US)

DESCRIPTION

(*) Notice: This patent is subject to a terminal disclaimer.

The file of this patent contains at least one drawing executed in color. Copies of this patent with color drawing(s) will be provided by the Office upon request and payment of the necessary fee.

(**) Term: **15 Years**

FIG. 1 is a front perspective view of a medical device button configuration that incorporates the new design for a medical device button configuration;

(21) Appl. No.: **29/581,073**

FIG. 2 is a front elevation view of the medical device button configuration of FIG. 1 that incorporates the new design;

(22) Filed: **Oct. 14, 2016**

FIG. 3 is a rear elevation view of the medical device button configuration of FIG. 1, in which the new design is not visible;

(51) **LOC (13) Cl.** **24-02**

(52) **U.S. Cl.**
USPC **D24/111**

(58) **Field of Classification Search**
USPC D24/107–109, 111–113, 127, 101, D24/163–165, 152, 176; D4/100–102,
(Continued)

FIG. 4 is a left elevation view of the medical device button configuration of FIG. 1 that incorporates the new design;

FIG. 5 is a right elevation view of the medical device button configuration of FIG. 1 that incorporates the new design;

FIG. 6 is a top view of the medical device button configuration of FIG. 1 that incorporates the new design;

FIG. 7 is a bottom view of the medical device button configuration of FIG. 1 that incorporates the new design;

FIG. 8 is an enlarged portion of FIG. 10;

FIG. 9 is an enlarged portion of FIG. 11;

FIG. 10 is a top perspective view of the medical device button configuration of FIG. 1 that incorporates the new design; and,

FIG. 11 is a bottom perspective view of the medical device button configuration of FIG. 1 that incorporates the new design.

(56) **References Cited**

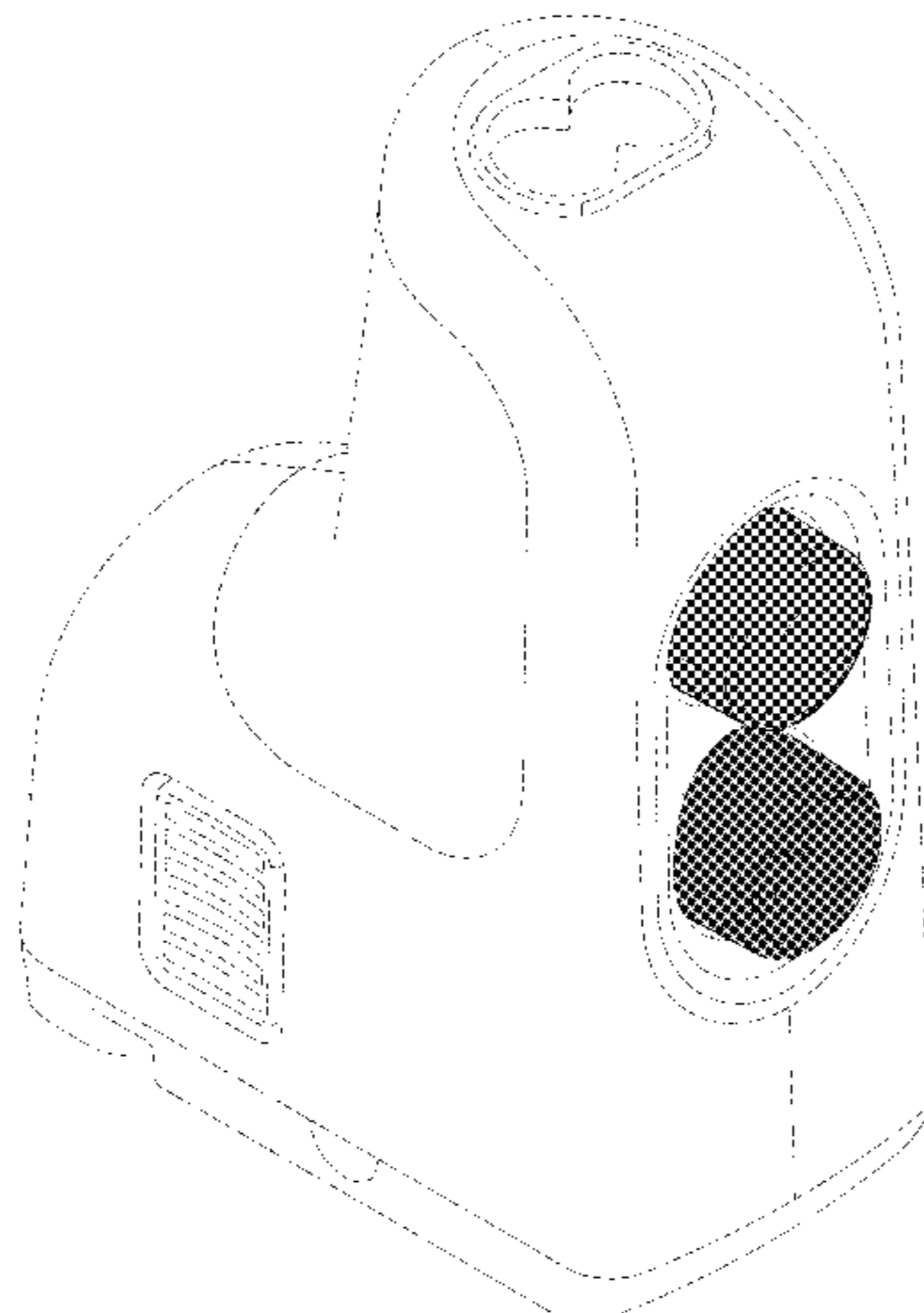
U.S. PATENT DOCUMENTS

2,489,845 A * 11/1949 Zedler A47G 33/12
248/205.5
D365,605 S * 12/1995 Jensen D14/416
(Continued)

OTHER PUBLICATIONS

Blender Timelapse: SNES Controller, posted at youtube.com, posted on Jun. 15, 2015, [online], acquired on Jan. 7, 2018. Available from

(Continued)



The broken lines in FIGS. 1-11 illustrate portions of a medical device button configuration that form no part of the claimed design.

The dash-dot lines in FIGS. 8 and 10 indicate the boundary of the enlarged portion of FIG. 10 and form no part of the claimed design.

The dash-dot lines in FIGS. 9 and 11 indicate the boundary of the enlarged portion of FIG. 11 and form no part of the claimed design.

**1 Claim, 11 Drawing Sheets
(10 of 11 Drawing Sheet(s) Filed in Color)**

(58) Field of Classification Search

USPC D4/138; D3/203.1, 201, 200, 203.6;
D9/432, 414; D23/356, 359, 360, 386
CPC A61C 17/0205; A61C 17/0202; A61C
17/224; A61C 17/20; A61C 17/005; A61C
17/028; A61C 17/02; A61C 17/036; A61C
17/00; A61C 17/0211; A61C 17/0214;
A61C 17/28; A61C 17/043; A61C 17/22;
A61C 17/222; A61C 17/225

See application file for complete search history.

(56) References Cited

U.S. PATENT DOCUMENTS

D404,673 S * 1/1999 Gordon D10/118
D419,963 S * 2/2000 Wang D13/158

D420,539 S * 2/2000 Tedesco D13/171
D421,305 S * 2/2000 Brilliant D24/176
D421,966 S * 3/2000 Allen D13/174
D446,522 S * 8/2001 Han D14/402
D481,687 S * 11/2003 Moriya D13/171
D524,812 S * 7/2006 Hussaini D14/413
D531,586 S * 11/2006 Poulet D13/168
D551,230 S * 9/2007 Lau D14/401
D593,674 S * 6/2009 Fedenia D24/108
D601,694 S * 10/2009 Rocklin D24/111
D646,335 S * 10/2011 Daniel D21/333
D684,685 S * 6/2013 Schneider D24/108
D690,815 S * 10/2013 Uozumi D24/165
D760,842 S * 7/2016 Won D14/418
D771,800 S * 11/2016 Engelhard D24/110
D772,037 S * 11/2016 Zimmer D8/310
D788,526 S * 6/2017 Weaden D7/378
D793,808 S * 8/2017 Weaden D7/378
D797,542 S * 9/2017 Block D8/310
D798,490 S * 9/2017 Haines D26/104
D804,341 S * 12/2017 Rowland D10/96

OTHER PUBLICATIONS

Tactile Button Assortment, posted at sparkfun.com, earliest date posted on Jan. 24, 2011, [online], acquired on Jan. 7, 2018. Available from Internet, <URL: <https://www.sparkfun.com/products/10302>> (Year: 2011).*

Insignia: Wireless Controller for SNES Classic, posted at bestbuy.com, earliest date reviewed on Nov. 1, 2017, [online], acquired on Jan. 7, 2018. Available from Internet, <URL: <https://www.bestbuy.com/site/reviews/insignia-wireless-controller-for-snes-classic-and-nes-classic-gray/6065301?sort=O>> (Year: 2017).*

* cited by examiner

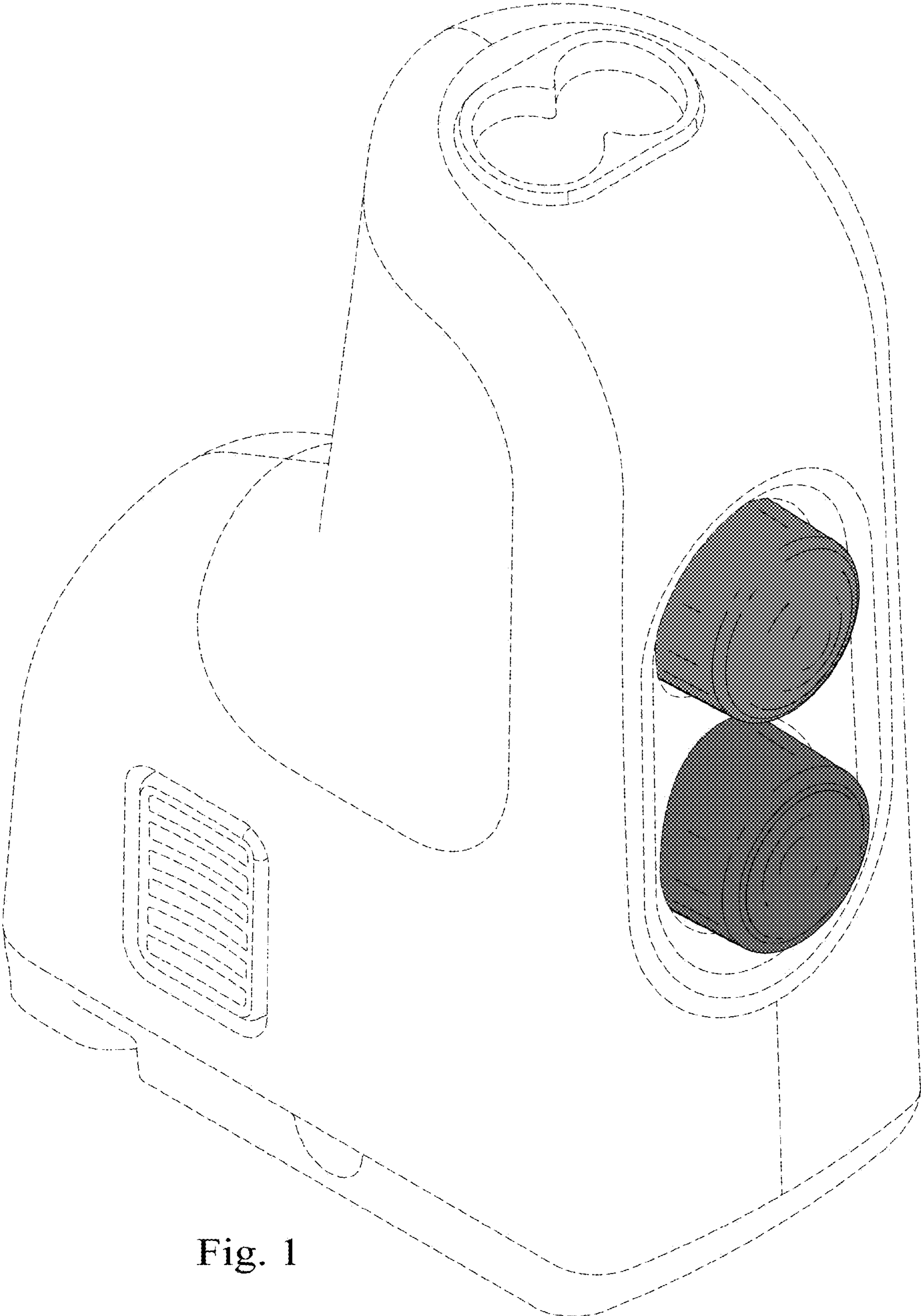


Fig. 1

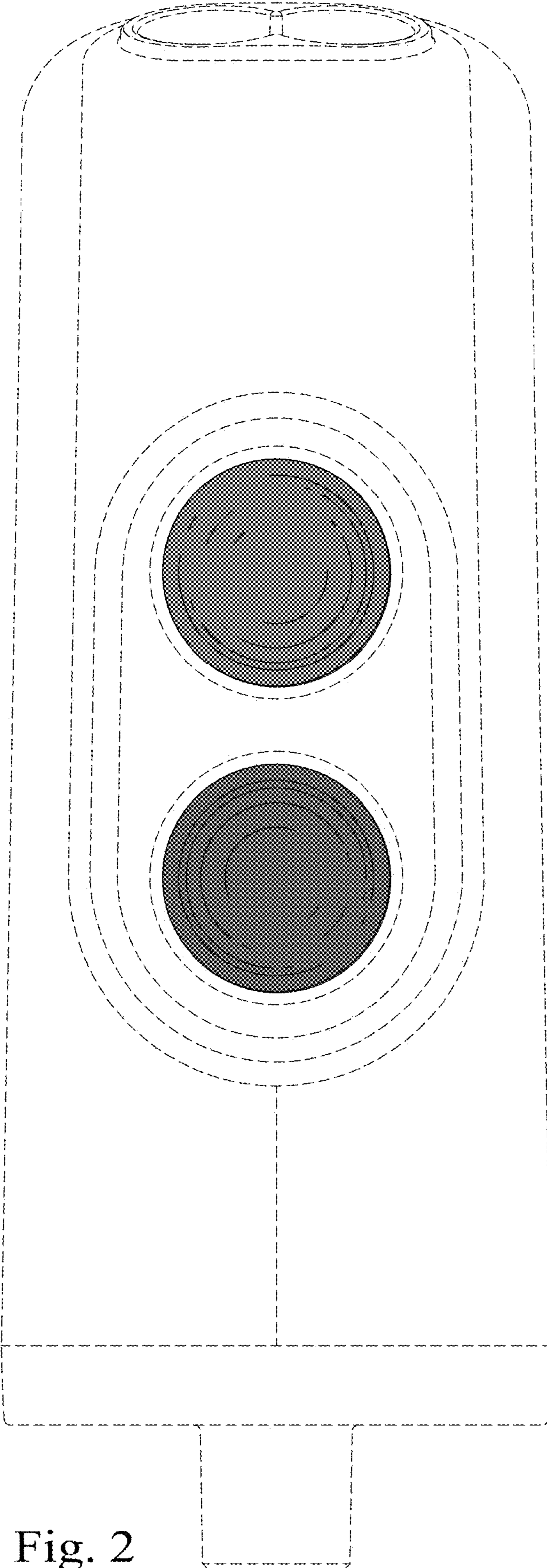


Fig. 2

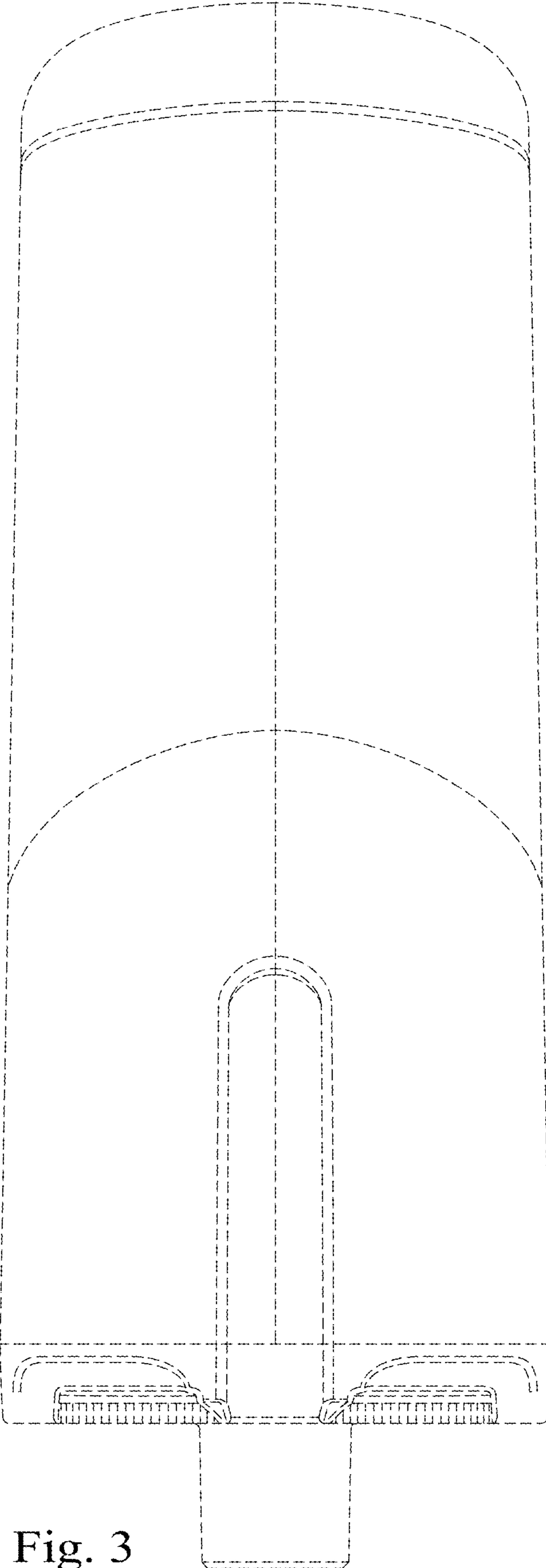


Fig. 3

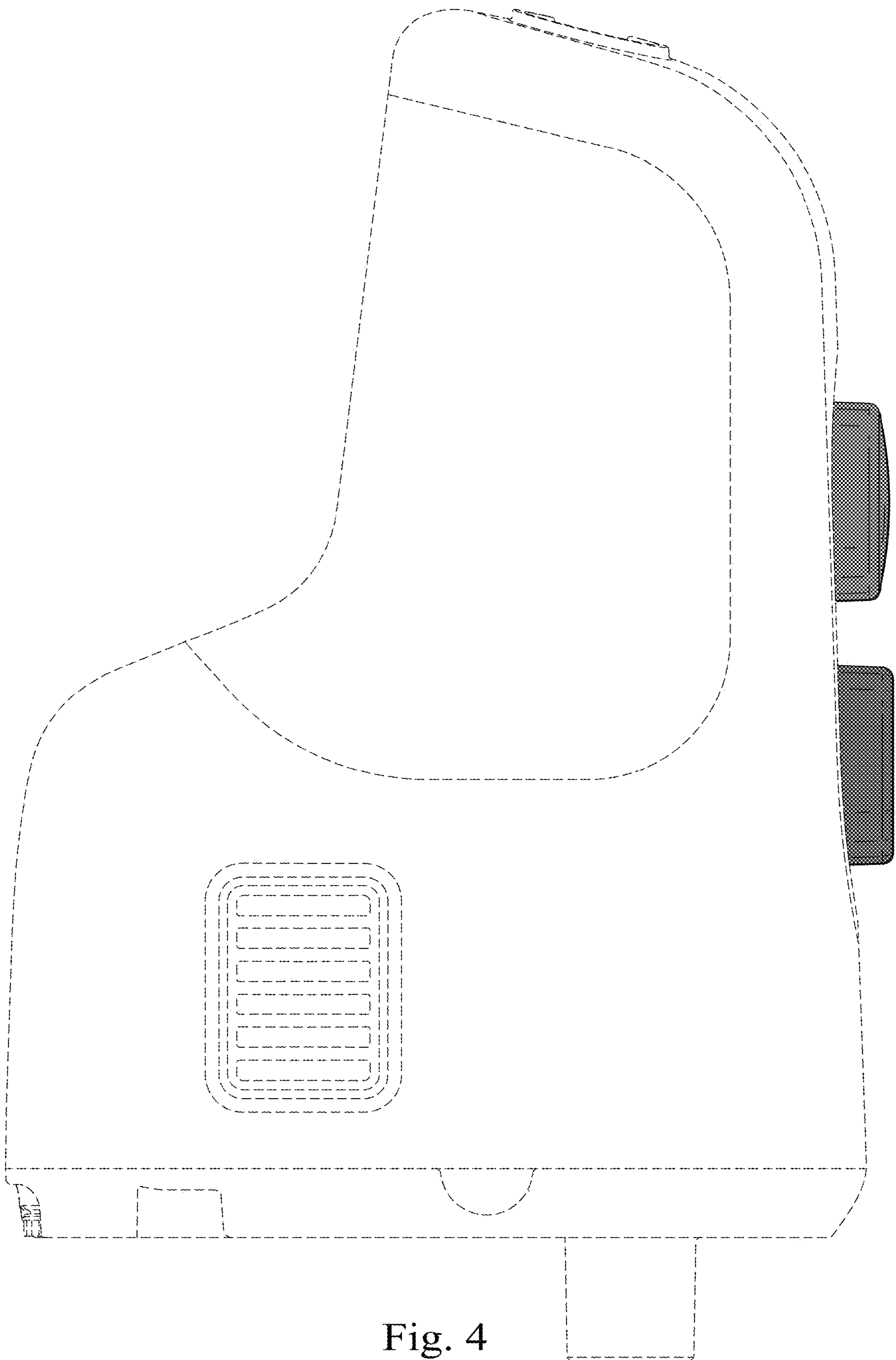


Fig. 4

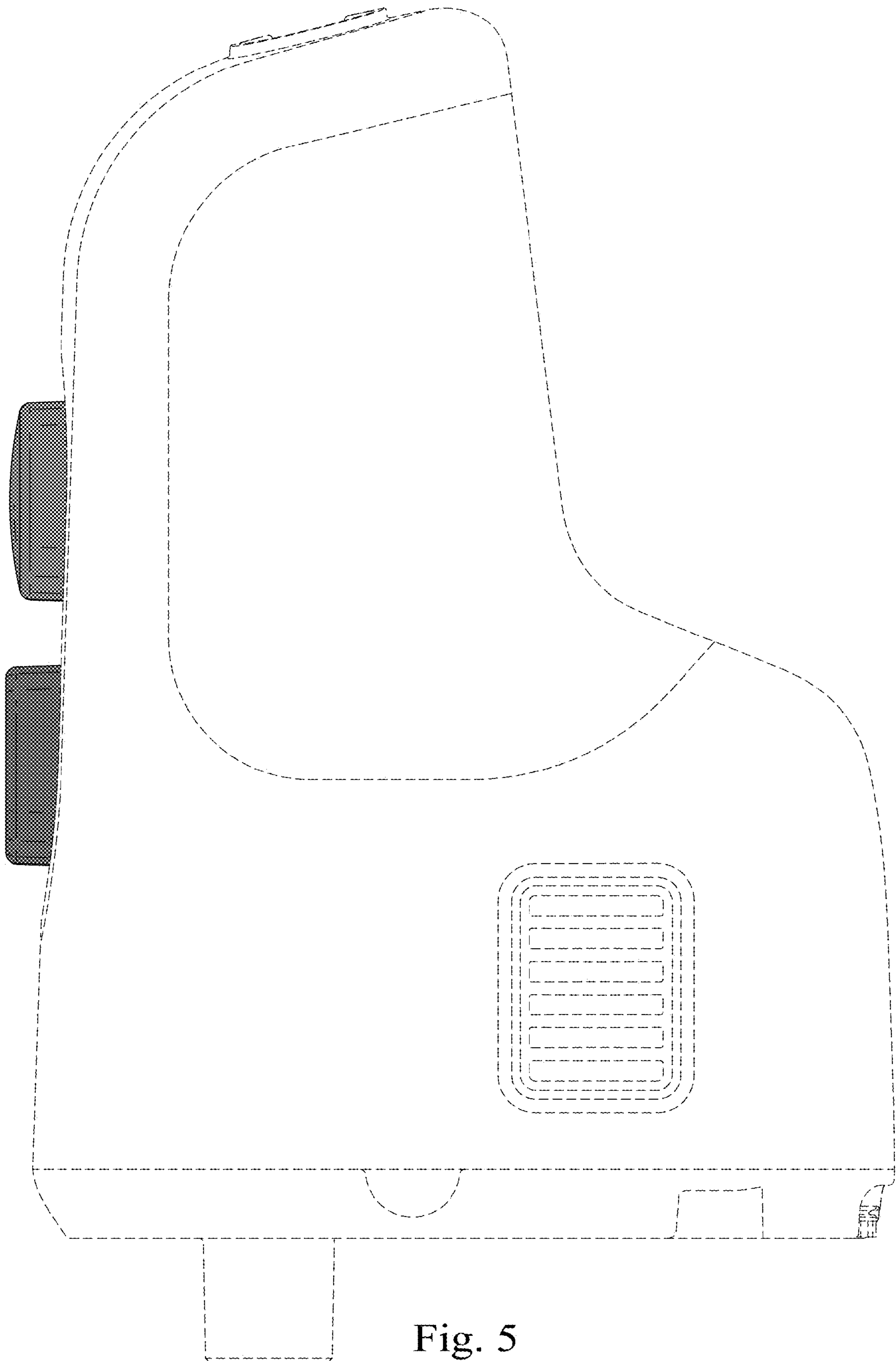


Fig. 5

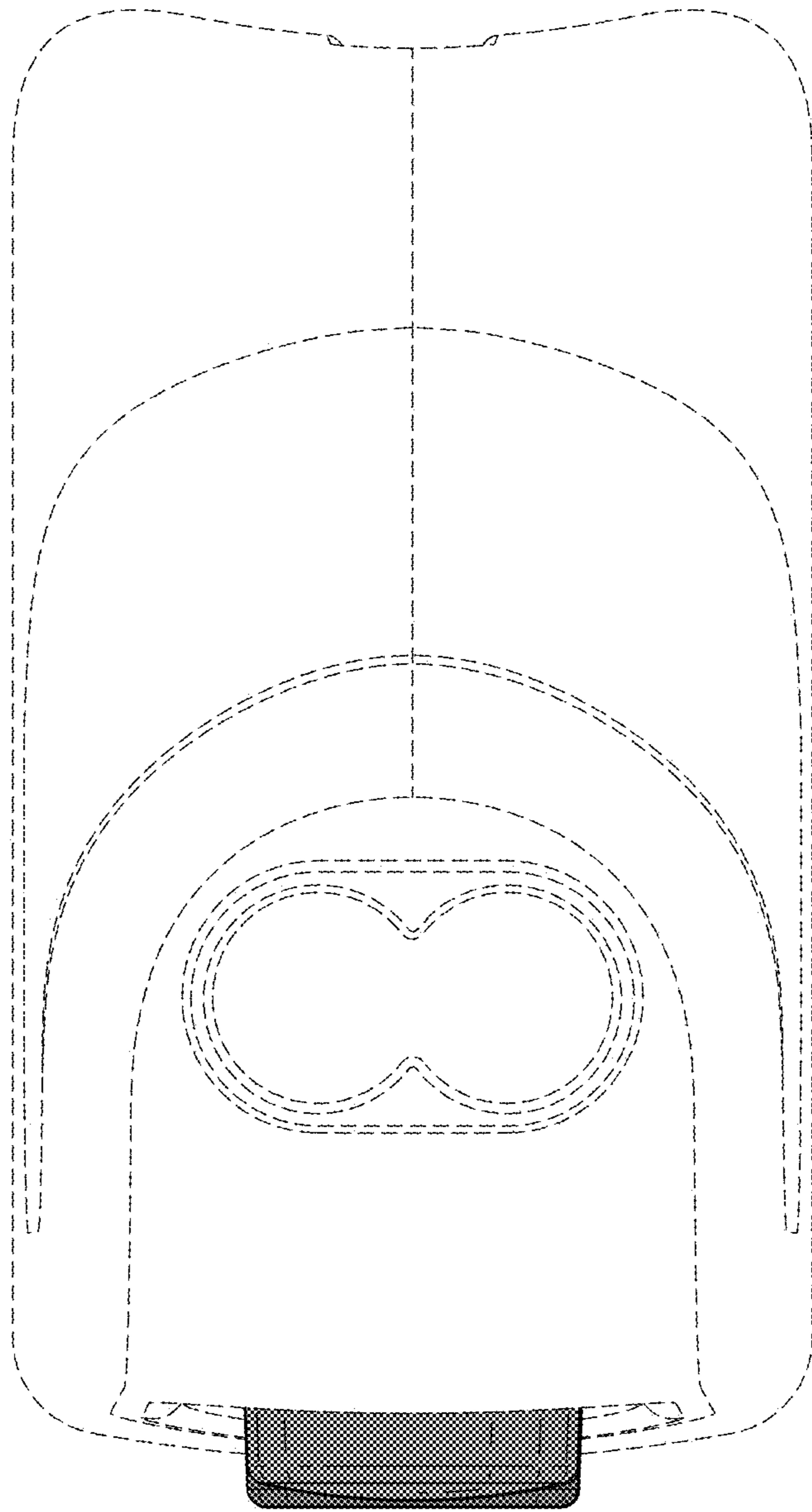


Fig. 6

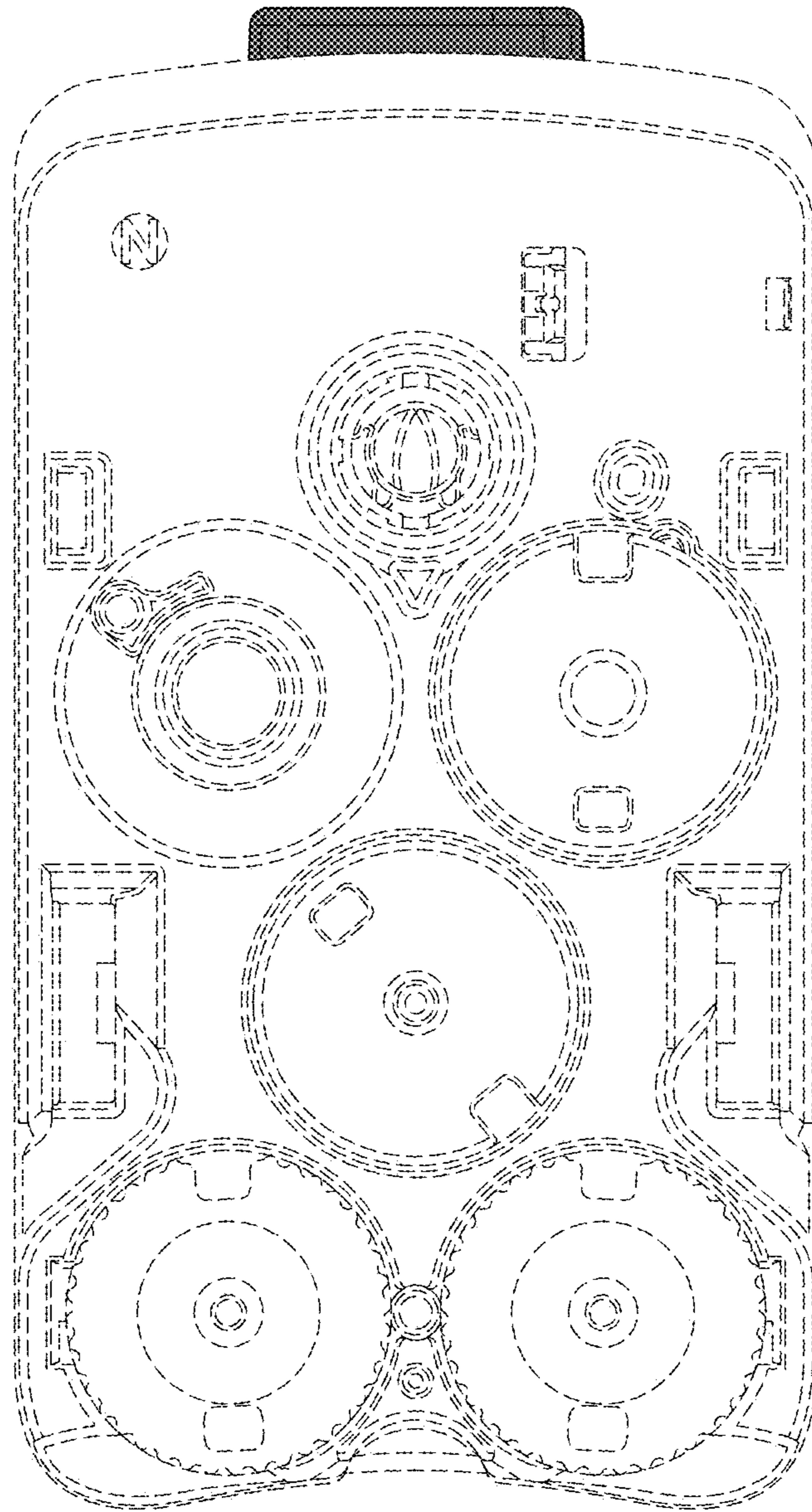


Fig. 7

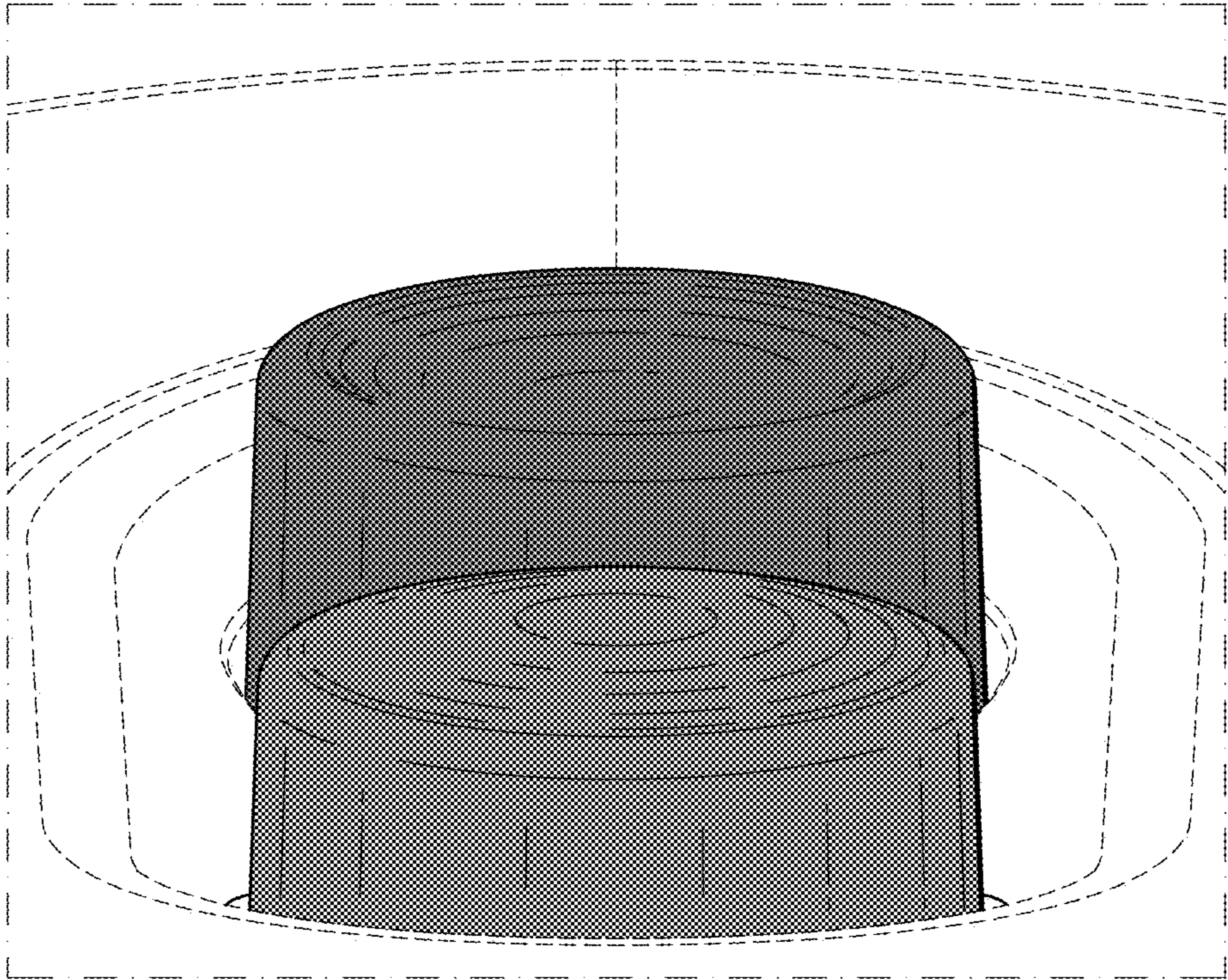


Fig. 8

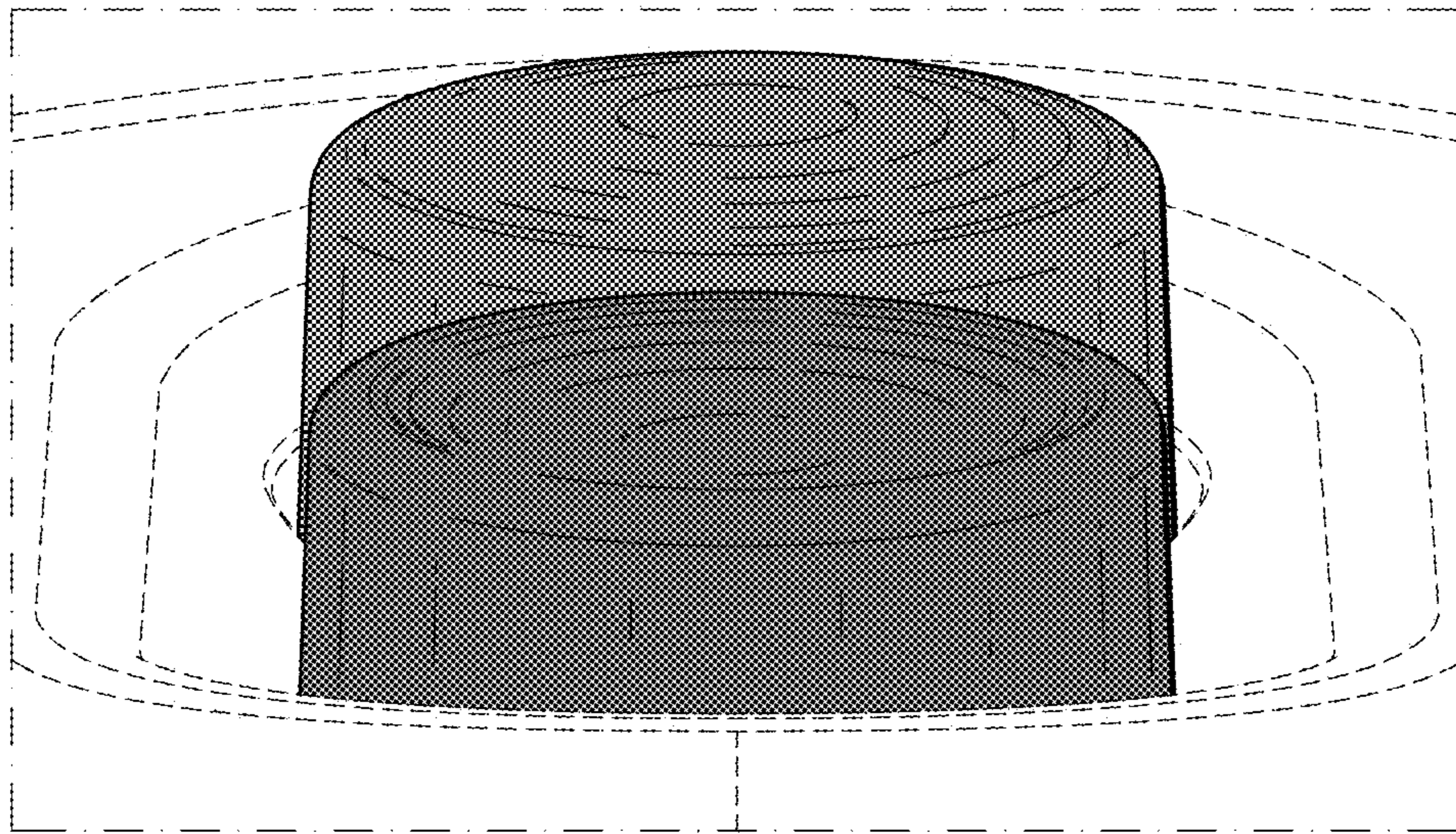


Fig. 9

Fig. 8

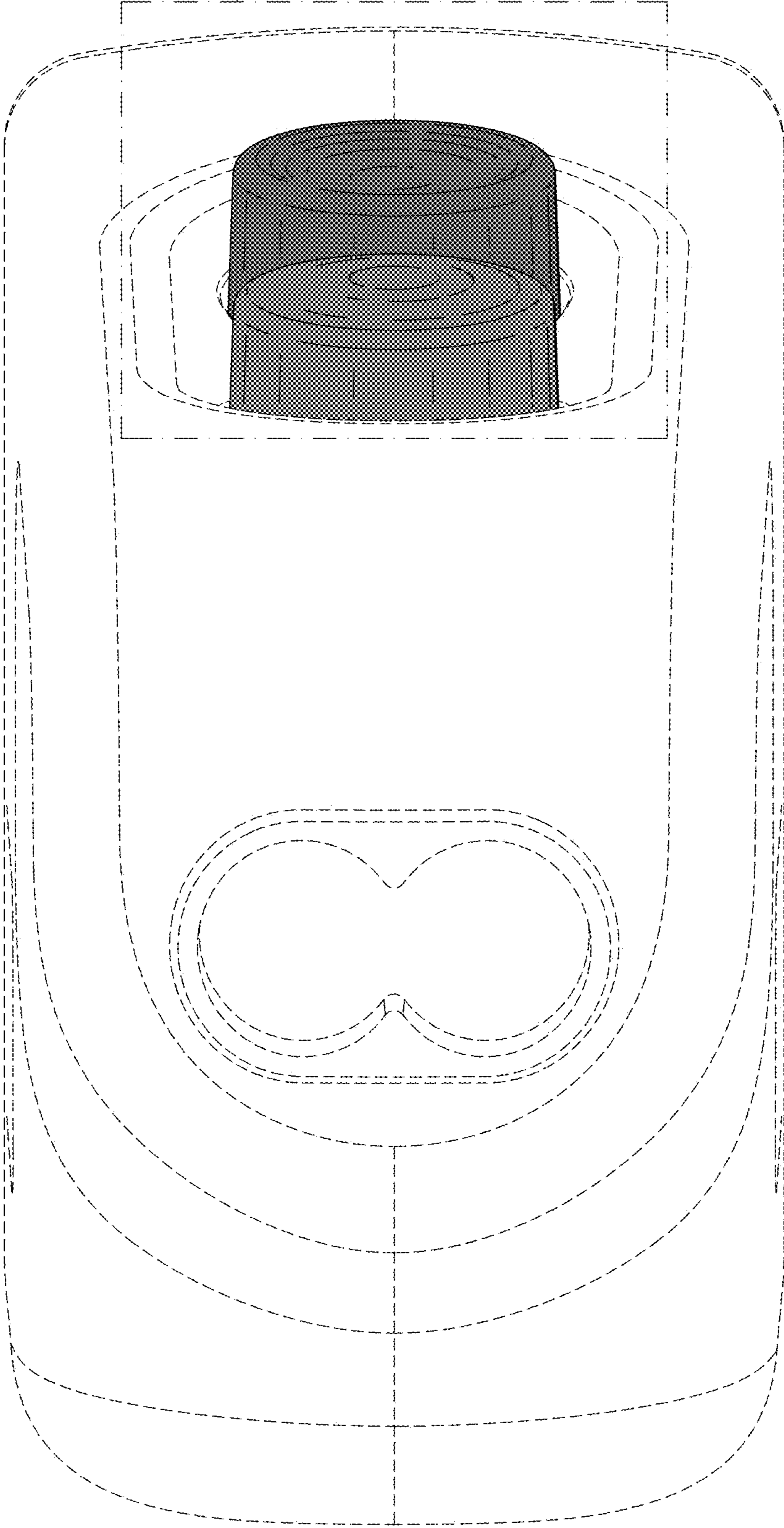


Fig. 10

Fig. 9

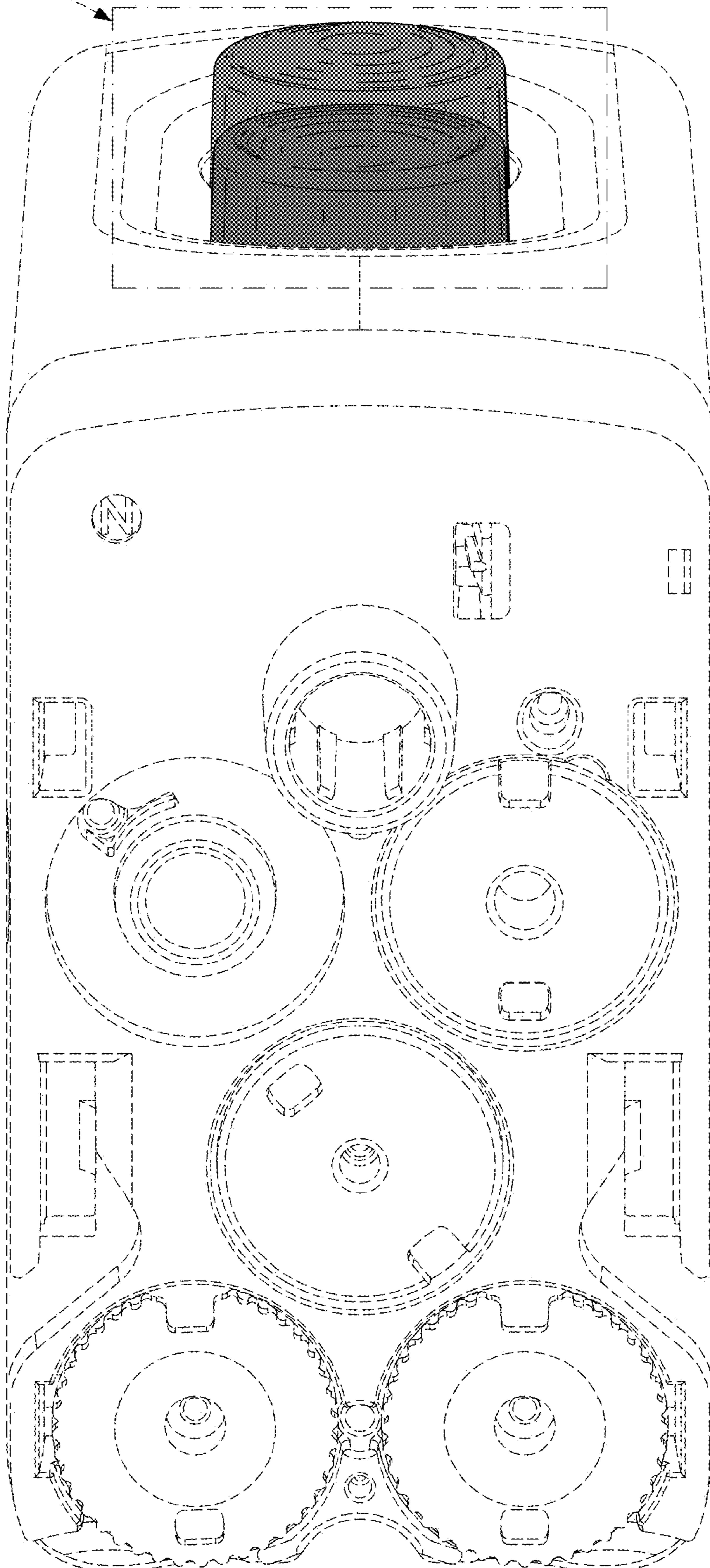


Fig. 11