



US00D921185S

(12) **United States Design Patent**
Musuku et al.

(10) **Patent No.:** **US D921,185 S**
(45) **Date of Patent:** **** Jun. 1, 2021**

(54) **INTUBATION DEVICE**

(71) Applicants: **Sridhar R. Musuku**, Watervliet, NY
(US); **Divya Cherukupalli**, Watervliet,
NY (US)

(72) Inventors: **Sridhar R. Musuku**, Watervliet, NY
(US); **Divya Cherukupalli**, Watervliet,
NY (US)

(**) Term: **15 Years**

(21) Appl. No.: **29/704,284**

(22) Filed: **Sep. 3, 2019**

Related U.S. Application Data

(60) Division of application No. 29/681,831, filed on Feb.
28, 2019, now Pat. No. Des. 858,752, which is a
continuation of application No. 16/255,983, filed on
Jan. 24, 2019, now Pat. No. 10,596,339.

(51) **LOC (13) Cl.** **29-02**

(52) **U.S. Cl.**
USPC **D24/110.5**; D24/115

(58) **Field of Classification Search**
USPC D24/108, 110.5, 112, 113, 114, 127, 130,
D24/133, 186
CPC A61M 25/00; A61M 25/0043; A61M
25/0067; A61M 27/00; A61M 25/0097;
A61M 39/00
See application file for complete search history.

(56) **References Cited**

U.S. PATENT DOCUMENTS

3,913,568 A * 10/1975 Carpenter A61B 1/0055
600/142
4,742,819 A * 5/1988 George A61B 1/0052
348/73

D317,503 S * 6/1991 Idowu D24/111
5,038,766 A * 8/1991 Parker A61M 16/0409
128/200.26
D338,063 S * 8/1993 Idowu D24/111
5,303,697 A * 4/1994 Brain A61M 16/04
128/200.26

(Continued)

FOREIGN PATENT DOCUMENTS

CN 203235108 U 10/2013
CN 103463719 A 12/2013

(Continued)

OTHER PUBLICATIONS

LMA Supreme Airway, Chinook Medical Gear Inc, Product No.
#01621PA, [<https://www.chinookmed.com/01621pa/lma-supreme-airway.html>], accessed Jan. 21, 2019.

(Continued)

Primary Examiner — Darlington Ly
(74) *Attorney, Agent, or Firm* — Tech Valley Patent,
LLC; John Pietrangelo

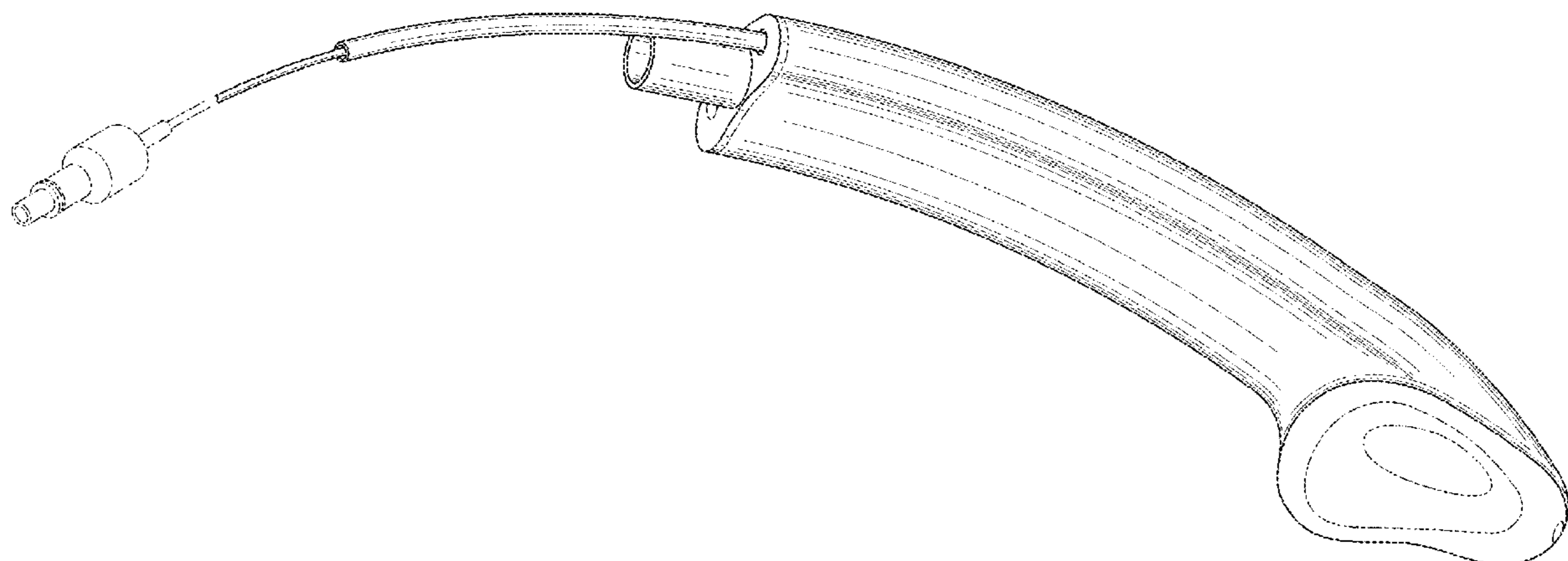
(57) **CLAIM**

The ornamental design for an intubation device, as shown
and described.

DESCRIPTION

FIG. 1 is a perspective view of an intubation device embody-
ing our new design;
FIG. 2 is a bottom plan view thereof;
FIG. 3 is a top plan view thereof;
FIG. 4 is a right side elevation view thereof;
FIG. 5 is a left side elevation view thereof;
FIG. 6 is a front elevation view thereof; and,
FIG. 7 is a rear elevation view thereof.
The broken lines in the drawings illustrate portions of the
intubation device that form no part of the claimed design.

1 Claim, 5 Drawing Sheets



(56)

References Cited

U.S. PATENT DOCUMENTS

5,337,735 A * 8/1994 Salerno A61B 1/2676
385/117
5,584,290 A * 12/1996 Brain A61B 5/285
128/207.15
5,623,921 A * 4/1997 Kinsinger A61M 16/04
128/200.26
5,682,880 A * 11/1997 Brain A61M 16/0488
128/207.15
D398,989 S * 9/1998 Ashlin D24/115
5,842,973 A * 12/1998 Bullard A61M 16/0488
600/194
5,896,858 A * 4/1999 Brain A61M 16/0425
128/207.15
D410,286 S * 5/1999 Tamirisa D24/138
6,079,409 A * 6/2000 Brain A61M 16/04
128/200.26
6,543,447 B2 * 4/2003 Pacey A61B 1/05
128/200.26
6,655,377 B2 * 12/2003 Pacey A61B 1/267
128/200.26
6,792,948 B2 * 9/2004 Brain A61M 16/0445
128/207.14
D497,428 S * 10/2004 Hayamizu D24/129
7,040,322 B2 * 5/2006 Fortuna A61M 16/0486
128/207.15
D530,818 S * 10/2006 Lin D24/138
D580,549 S * 11/2008 Schwartz D24/133
D603,958 S * 11/2009 Schwartz D24/138
D603,959 S * 11/2009 Schwartz D24/138
D611,138 S * 3/2010 Nasir D24/110.5
D612,043 S * 3/2010 Young D24/112
D615,188 S * 5/2010 Nasir D24/110.5
7,762,261 B1 * 7/2010 Fortuna A61M 16/0415
128/207.14
8,215,307 B2 7/2012 Nasir
D695,401 S * 12/2013 Huels D24/137
10,182,712 B2 * 1/2019 Matthes A61B 1/00098
D848,609 S * 5/2019 Potomac D24/115
D858,752 S * 9/2019 Musuku D24/110.5
2001/0050082 A1 * 12/2001 Christopher A61M 16/0409
128/207.15
2004/0079364 A1 * 4/2004 Christopher A61B 1/267
128/200.26
2005/0081861 A1 * 4/2005 Nasir A61M 16/0415
128/207.14

2005/0268917 A1 * 12/2005 Boedeker A61M 16/04
128/207.14
2006/0180155 A1 * 8/2006 Glassenberg A61M 16/0488
128/207.15
2008/0060655 A1 * 3/2008 Brain A61M 16/0445
128/207.15
2008/0308098 A1 * 12/2008 Schwartz A61M 16/0418
128/200.26
2009/0090356 A1 * 4/2009 Cook A61M 16/0409
128/200.26
2013/0220332 A1 * 8/2013 Baska A61M 16/0409
128/207.15
2013/0269689 A1 * 10/2013 Brain A61M 16/0463
128/200.26
2013/0324798 A1 * 12/2013 Molnar A61B 1/267
600/120
2014/0041673 A1 * 2/2014 Walters A61M 16/0488
128/887
2015/0128946 A1 * 5/2015 Stix A61M 16/0415
128/204.18
2015/0283346 A1 * 10/2015 Breslauer A61B 1/32
600/204
2017/0216544 A1 * 8/2017 Baska A61M 16/0452
2017/0232216 A1 * 8/2017 Nave A61M 16/0409
600/120

FOREIGN PATENT DOCUMENTS

| | | |
|----|---------------|---------|
| CN | 203620024 U | 6/2014 |
| CN | 203861713 U | 10/2014 |
| CN | 104800941 A | 7/2015 |
| CN | 204468927 U | 7/2015 |
| CN | 204972582 U | 1/2016 |
| WO | 2014127548 A1 | 8/2014 |
| WO | 2015113338 A1 | 8/2015 |

OTHER PUBLICATIONS

Office Action for parent Design U.S. Appl. No. 29/681,831 dated Apr. 18, 2019, a Restriction, 13 pages.
Office Action for parent U.S. Appl. No. 16/255,983 dated May 9, 2019, 20 pages.
Office Action for parent U.S. Appl. No. 16/255,983 dated Sep. 4, 2019, 25 pages.

* cited by examiner

FIG. 1

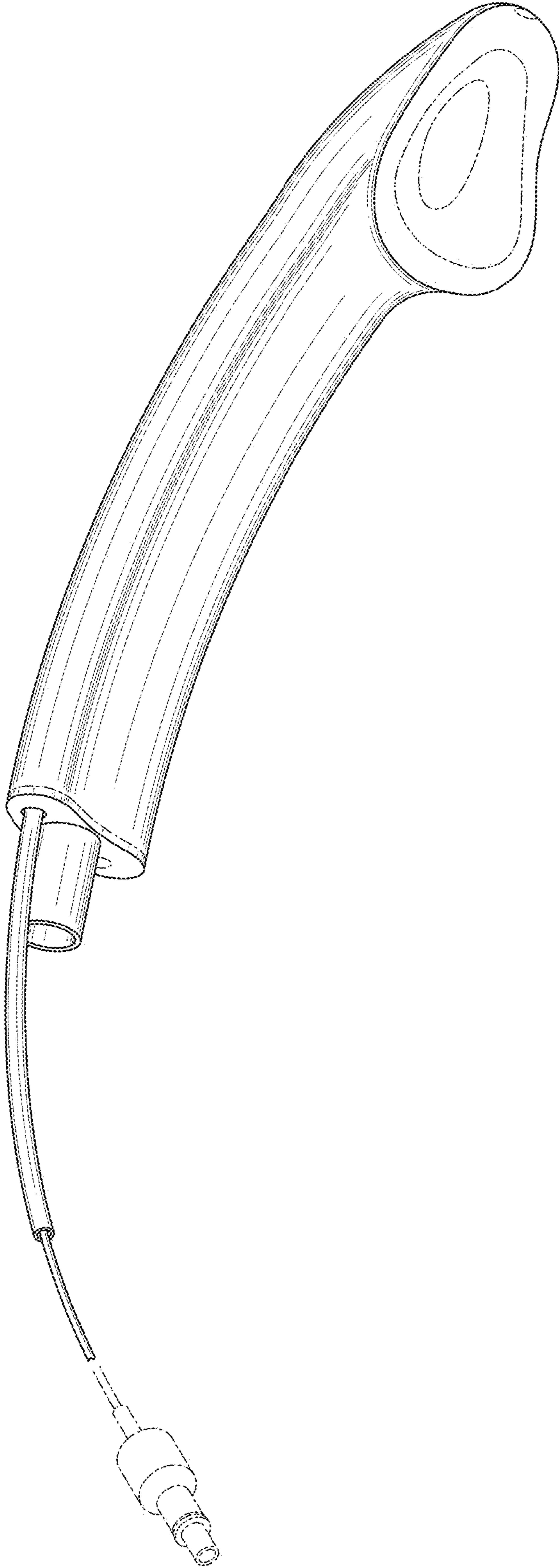


FIG. 2

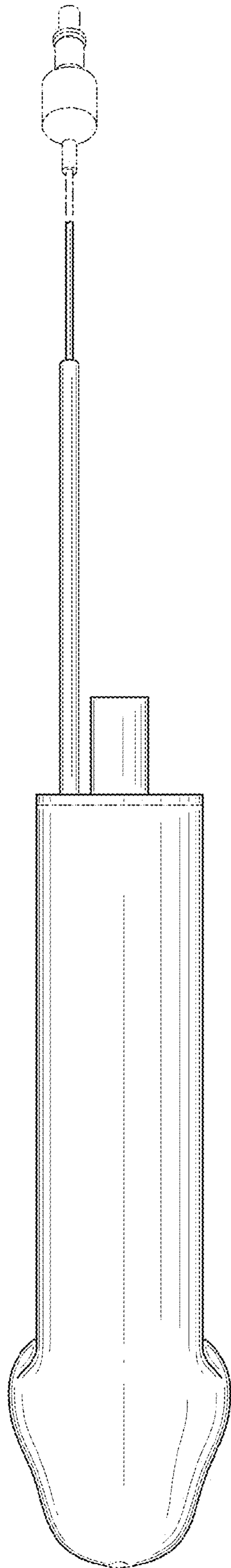


FIG. 3

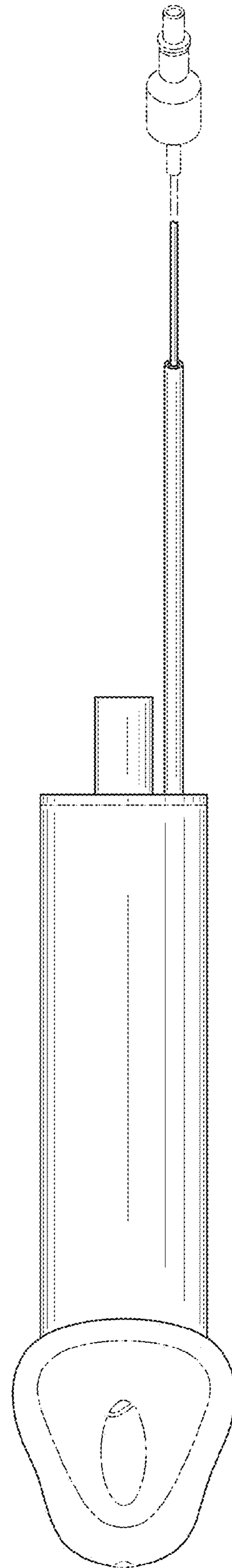


FIG. 4

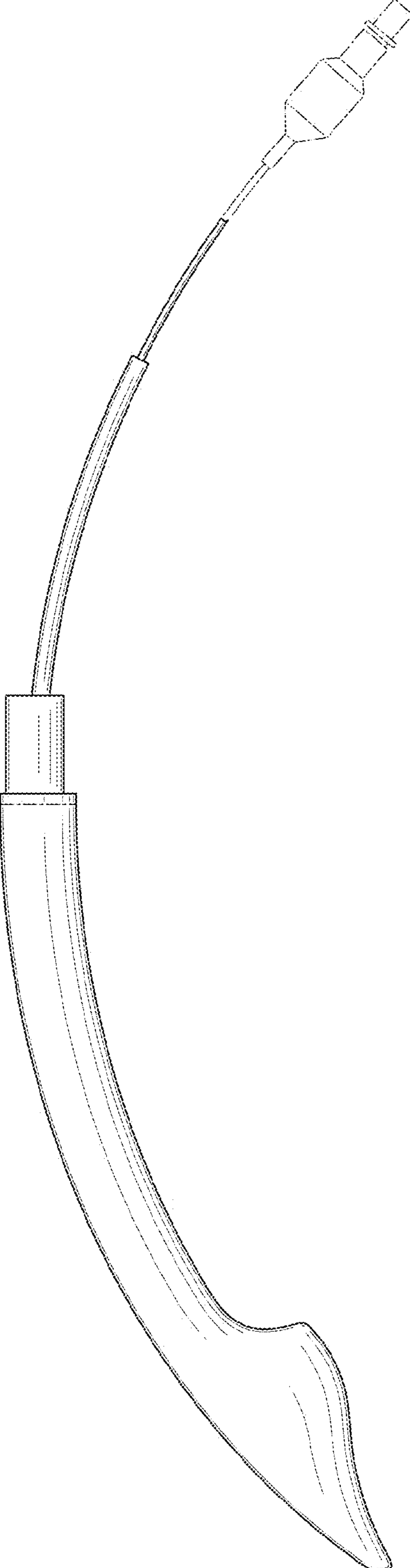


FIG. 5

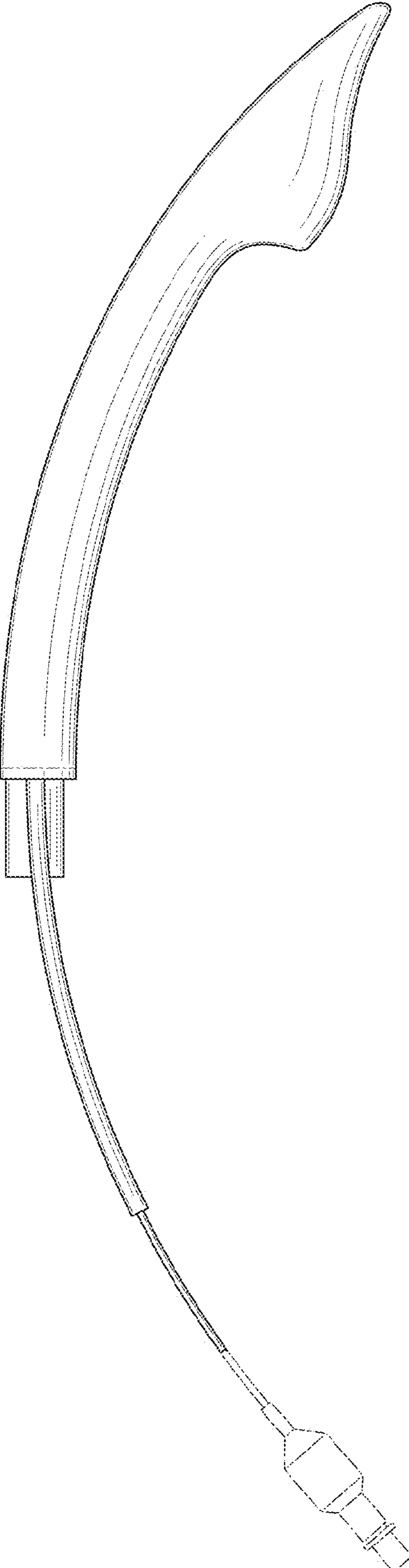


FIG. 6

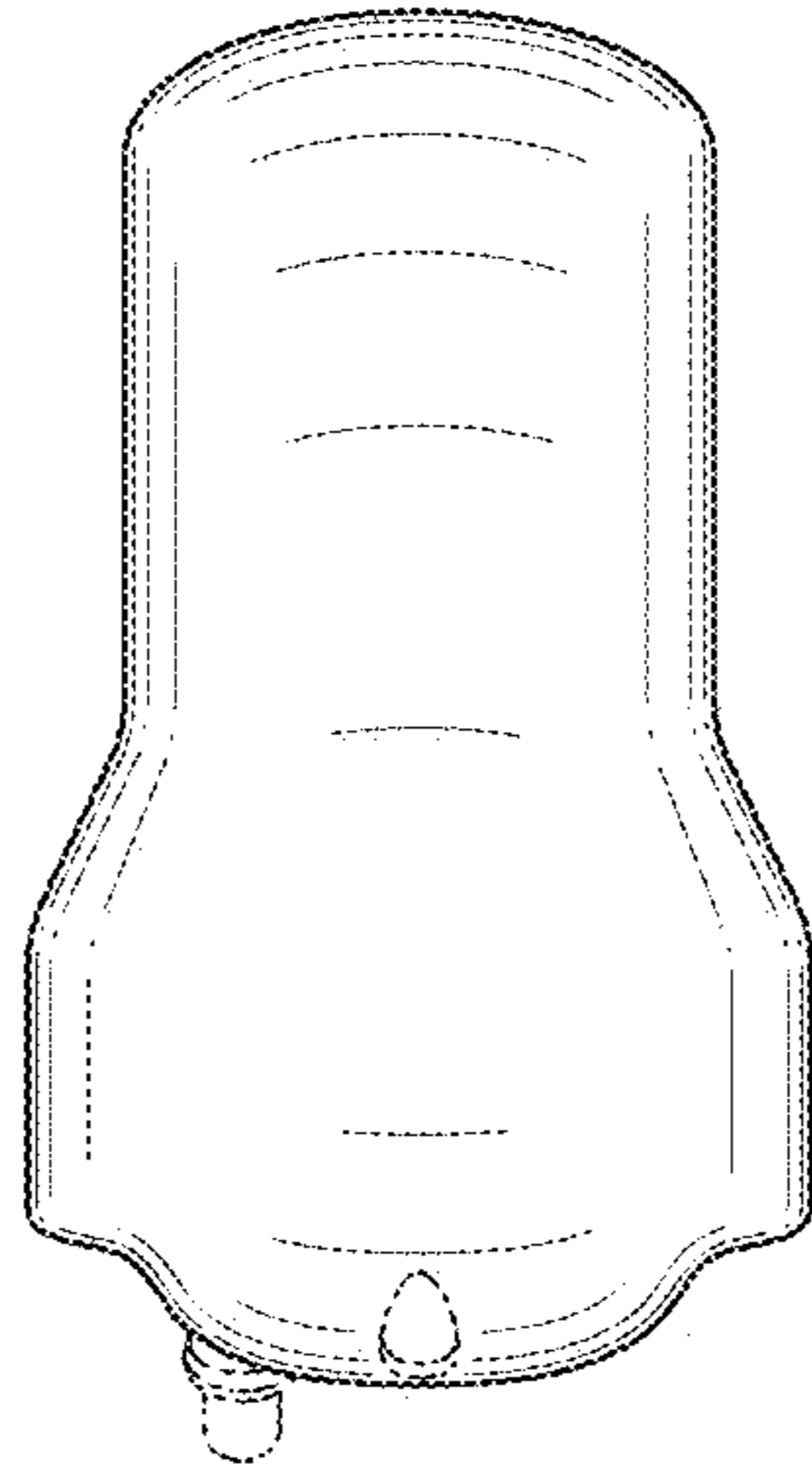


FIG. 7

