



US00D921184S

(12) **United States Design Patent** (10) **Patent No.:** **US D921,184 S**  
**O'Brien et al.** (45) **Date of Patent:** **\*\* \*Jun. 1, 2021**

(54) **LIQUID RESERVOIR FOR NEBULIZER**  
(71) Applicant: **MicroVapor Devices, LLC**, Columbia, SC (US)  
(72) Inventors: **Terry O'Brien**, Columbia, SC (US); **Joey Vann**, West Columbia, SC (US)  
(73) Assignee: **MicroVapor Devices, LLC**, Columbia, SC (US)  
(\* ) Notice: This patent is subject to a terminal disclaimer.  
(\*\*) Term: **15 Years**  
(21) Appl. No.: **29/696,090**  
(22) Filed: **Jun. 25, 2019**

(56) **References Cited**  
U.S. PATENT DOCUMENTS  
D337,636 S \* 7/1993 Kocinski ..... D24/110  
D757,245 S \* 5/2016 Lee ..... D24/110  
D837,364 S \* 1/2019 O'Brien ..... D24/110  
D856,508 S \* 8/2019 O'Brien ..... D24/110  
10,406,569 B2 \* 9/2019 Cheng ..... B05B 15/55  
2019/0099566 A1 \* 4/2019 Gramann ..... A61M 15/02  
2019/0299261 A1 \* 10/2019 Cheng ..... B05B 15/55  
2020/0022415 A1 \* 1/2020 Guo ..... A24F 47/008  
2020/0029624 A1 \* 1/2020 Liu ..... A24F 47/008  
2020/0030554 A1 \* 1/2020 Zarogoulidis ..... A61M 15/0065  
\* cited by examiner

*Primary Examiner* — Lilyana Bekic  
(74) *Attorney, Agent, or Firm* — E. Eric Mills; Nexsen Pruet, PLLC

**Related U.S. Application Data**

(60) Continuation of application No. 29/669,073, filed on Nov. 5, 2018, now Pat. No. Des. 856,508, which is a division of application No. 29/615,663, filed on Aug. 30, 2017, now Pat. No. Des. 837,364.  
(51) **LOC (13) Cl.** ..... **29-02**  
(52) **U.S. Cl.**  
USPC ..... **D24/110**  
(58) **Field of Classification Search**  
USPC ..... D24/107, 108, 110.1, 164, 110, 110.5; D27/162–165, 167, 169–170  
CPC ..... A61M 2202/064; A61M 15/0021; A61M 15/06; A61M 15/009; A61M 15/0028; A61M 15/0065; A61M 15/0091; A61M 15/00; A61M 15/0025; A61M 11/005; A61M 15/0085; A61M 11/02; A61M 16/14; A61M 11/003; A61M 11/007; A61M 11/00; A24F 47/008  
See application file for complete search history.

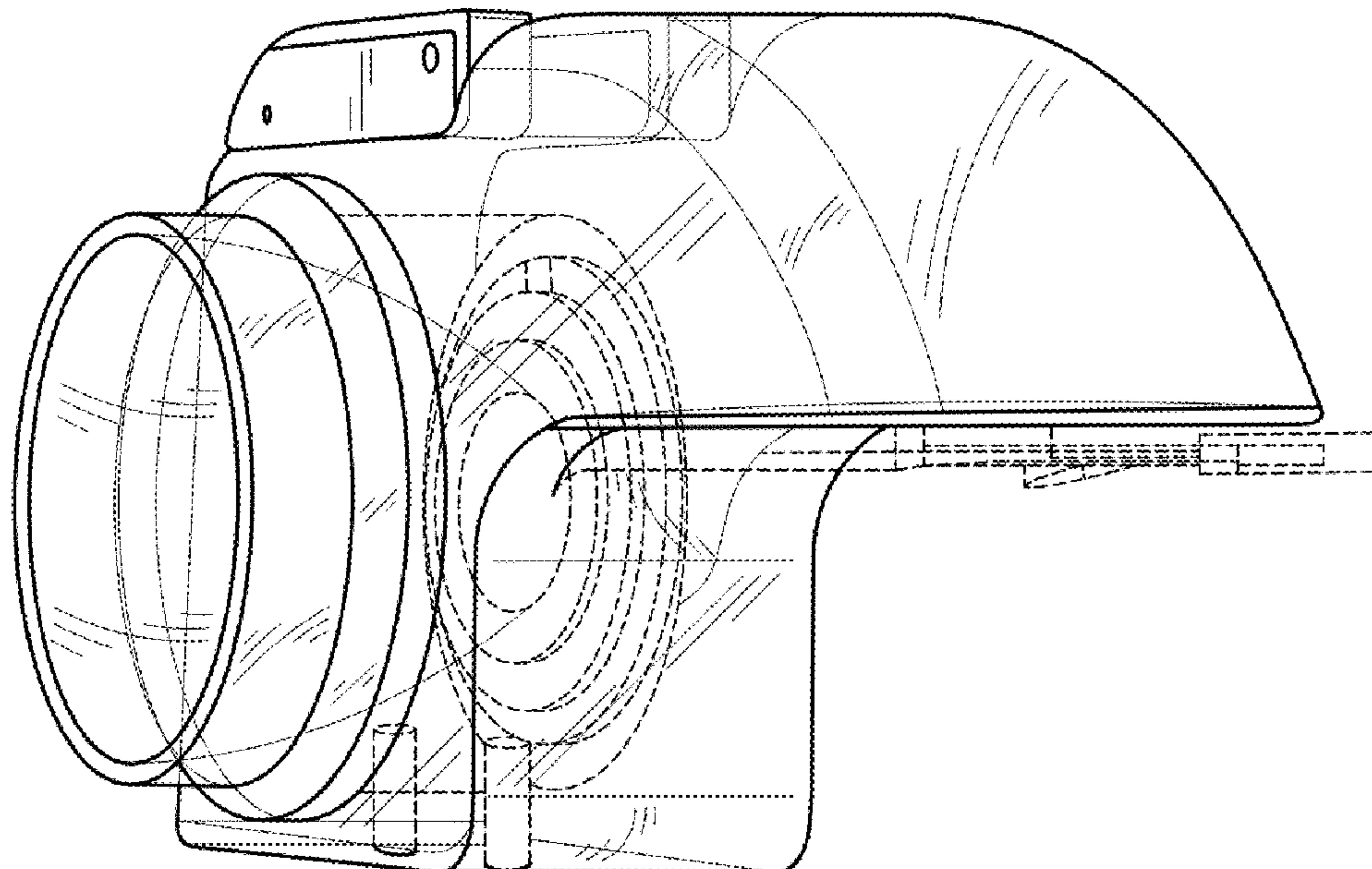
(57) **CLAIM**

The ornamental design for a liquid reservoir for nebulizer, as shown and described.

**DESCRIPTION**

FIG. 1 is a perspective view of a liquid reservoir for nebulizer showing my design;  
FIG. 2 is a front elevation view thereof;  
FIG. 3 is a rear elevation view thereof;  
FIG. 4 is a right side elevation view thereof;  
FIG. 5 is a left side elevation view thereof;  
FIG. 6 is a top plan view thereof; and,  
FIG. 7 is a bottom plan view thereof.  
The broken lines in the drawings depict portions of the liquid reservoir for nebulizer that form no part of the claimed design.

**1 Claim, 7 Drawing Sheets**



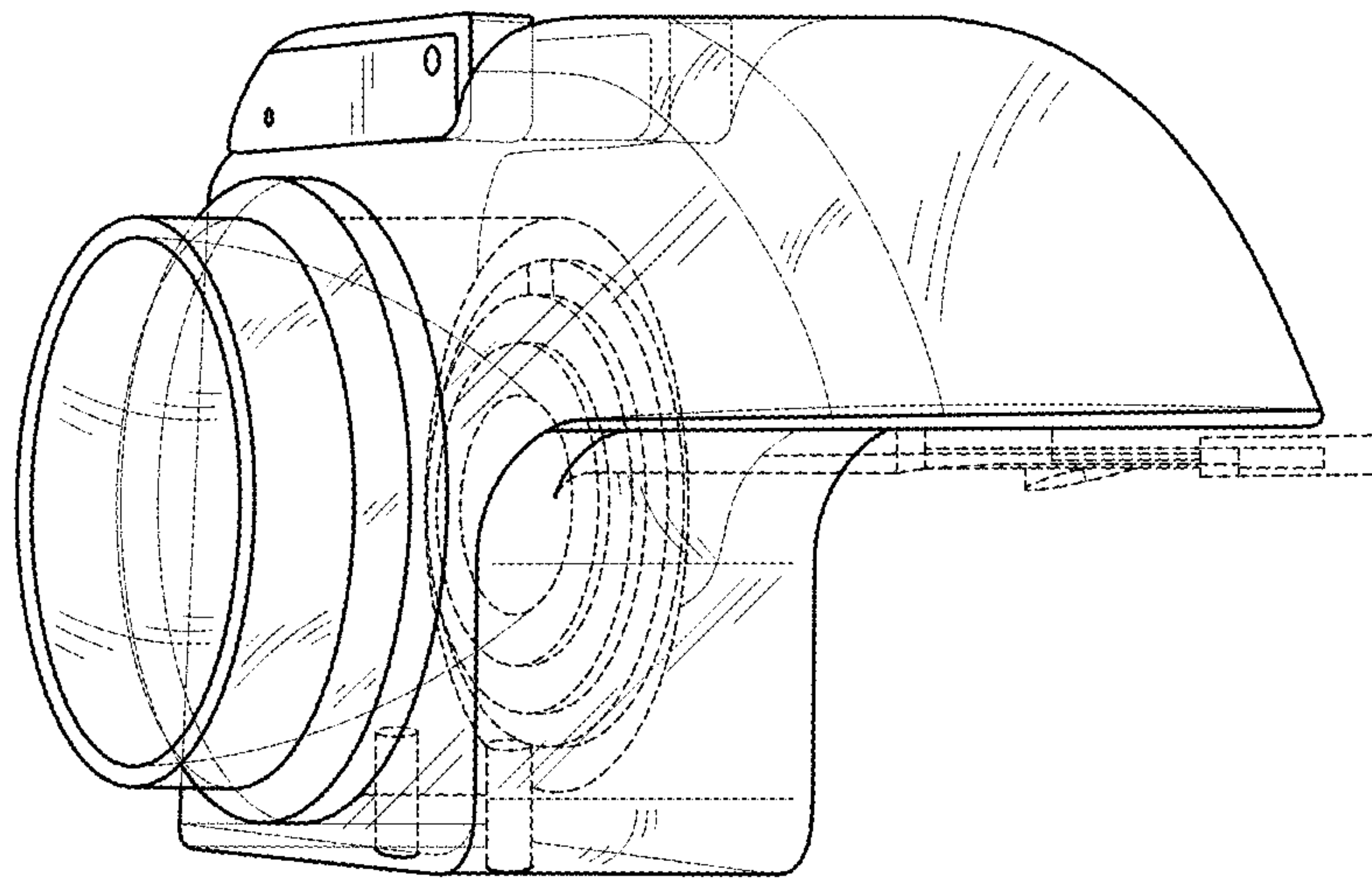


FIG. 1

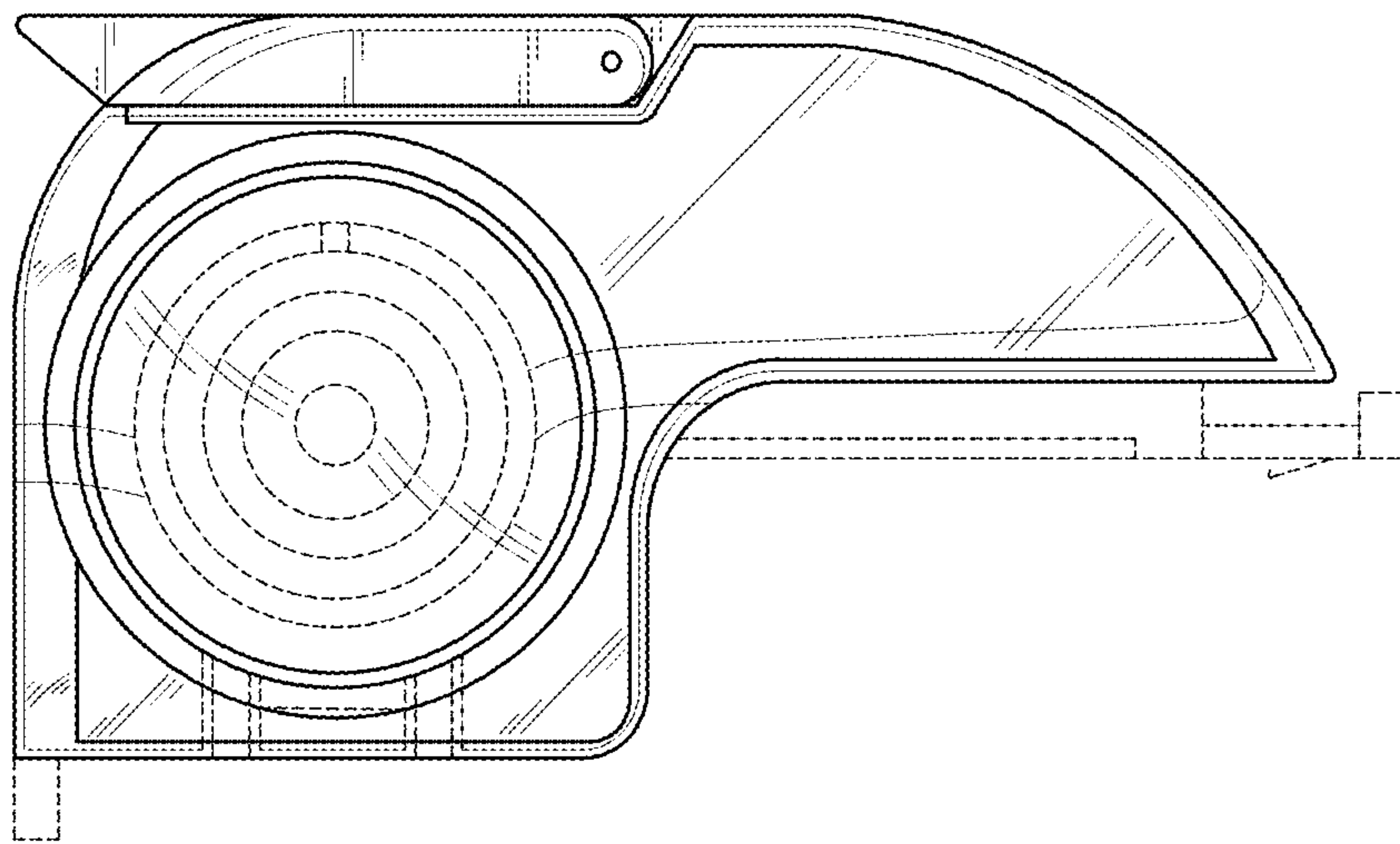


FIG. 2

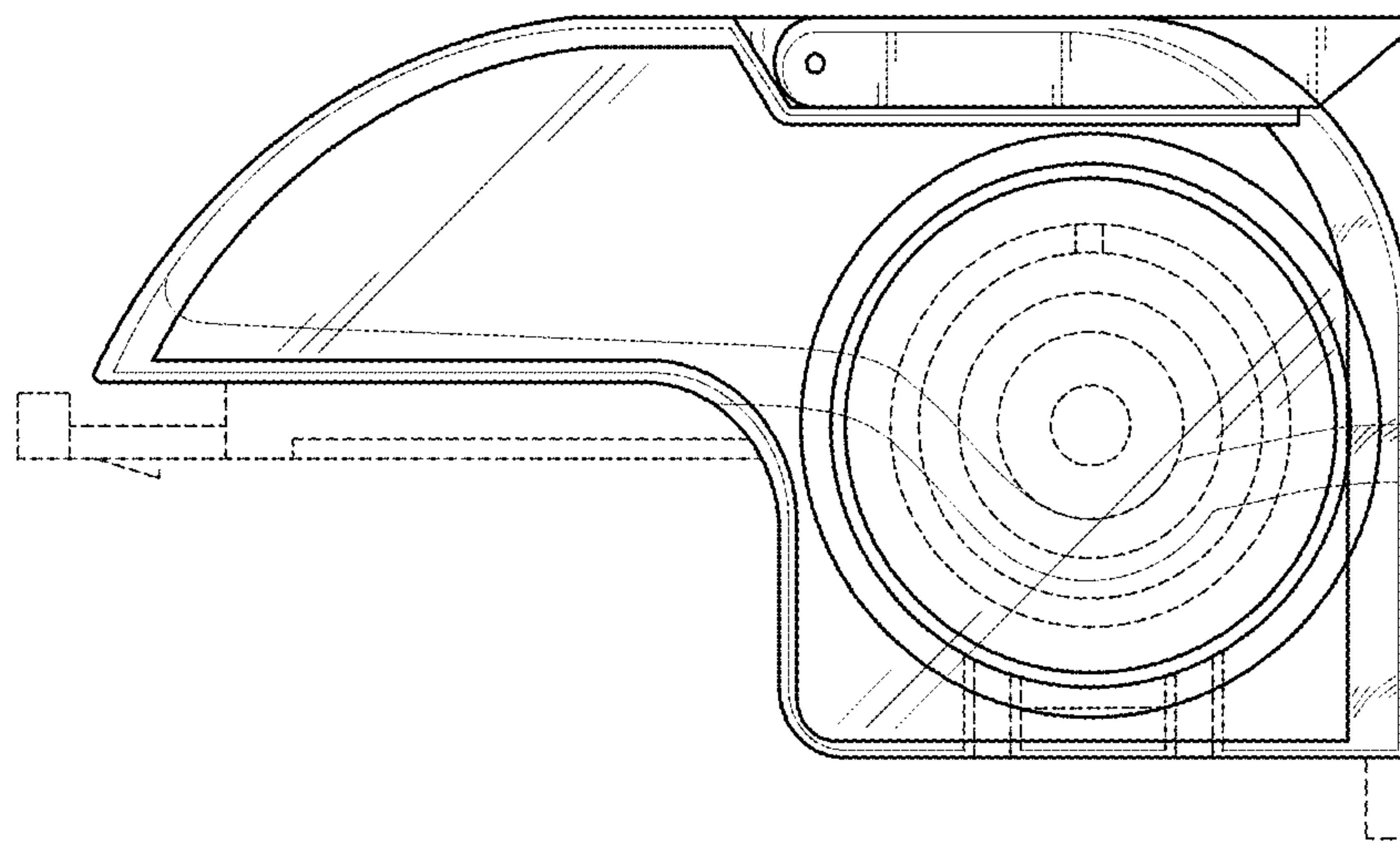


FIG. 3

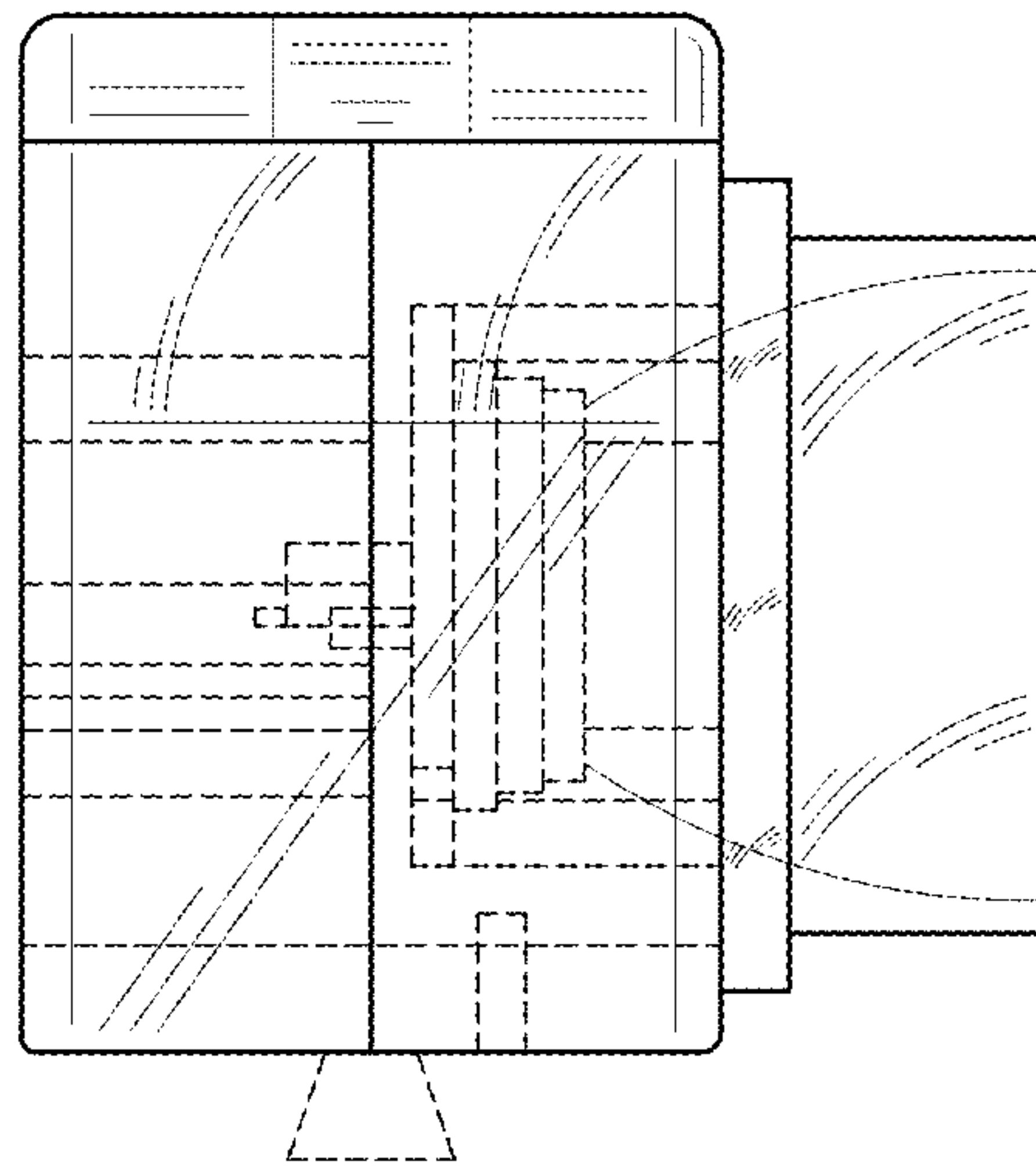


FIG. 4

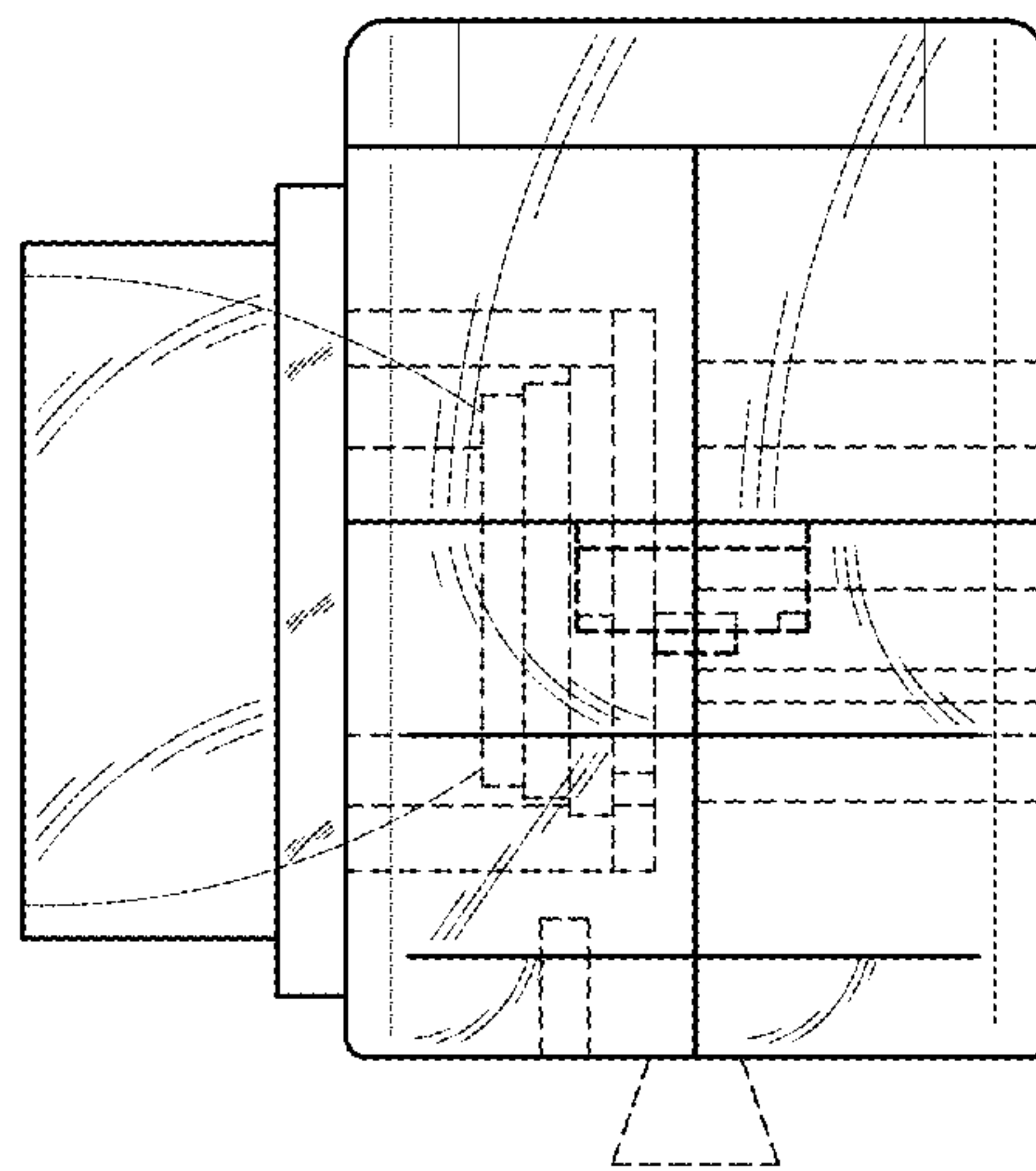


FIG. 5



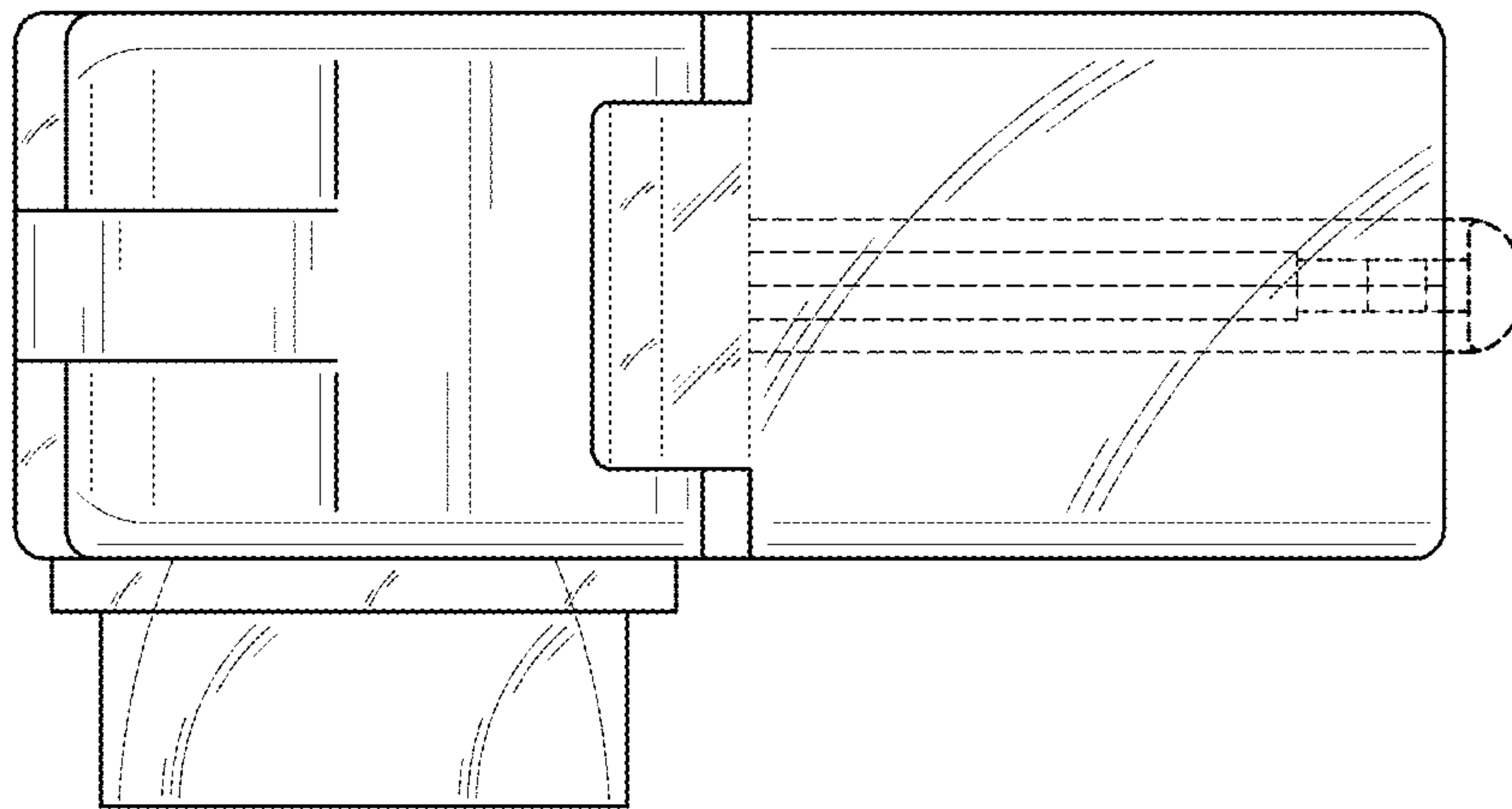


FIG. 6

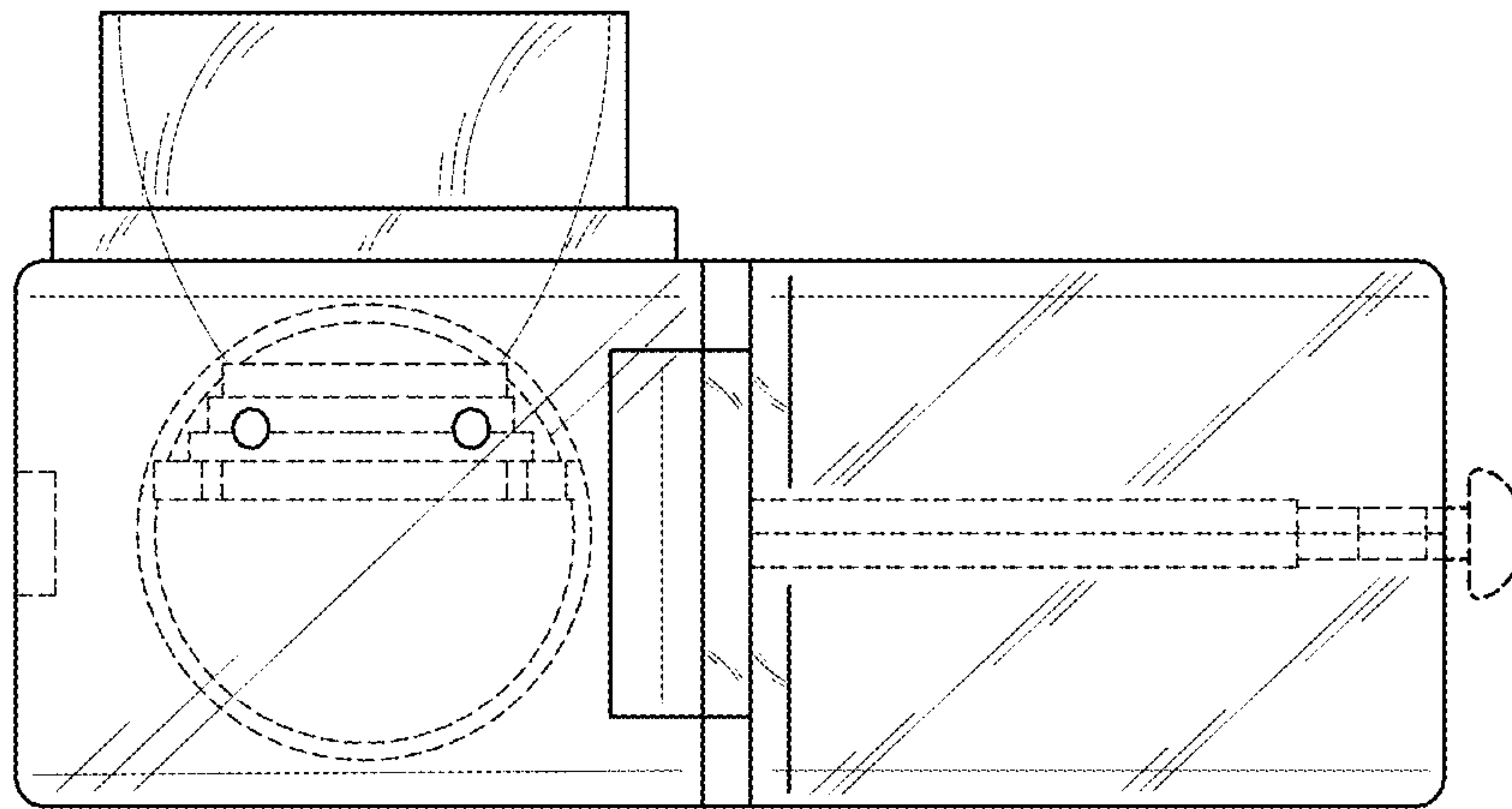


FIG. 7