



US00D921182S

(12) **United States Design Patent** (10) **Patent No.:** **US D921,182 S**  
**Wang** (45) **Date of Patent:** **\*\* Jun. 1, 2021**

(54) **MALE CHASTITY DEVICE**  
(71) Applicant: **Yuxi Wang**, Wenzhou (CN)  
(72) Inventor: **Yuxi Wang**, Wenzhou (CN)  
(\*\*) Term: **15 Years**  
(21) Appl. No.: **29/765,802**  
(22) Filed: **Jan. 12, 2021**  
(51) **LOC (13) Cl.** ..... **24-04**  
(52) **U.S. Cl.**  
USPC ..... **D24/105**  
(58) **Field of Classification Search**  
USPC ..... D24/105, 143, 190; D2/711; D29/101.5  
CPC ..... A61F 6/02; A61F 5/0096  
See application file for complete search history.

(56) **References Cited**  
**U.S. PATENT DOCUMENTS**  
D638,928 S 5/2011 Miller  
8,607,799 B1\* 12/2013 Ma ..... A61F 5/0096  
128/883  
D716,935 S 11/2014 Cogan  
D757,241 S 5/2016 Agha  
9,782,290 B2\* 10/2017 Madore ..... A61F 6/02  
2008/0127986 A1\* 6/2008 Miller ..... A61F 5/0096  
128/883  
2015/0216717 A1\* 8/2015 Madore ..... A61F 5/0096  
128/883  
2020/0268538 A1\* 8/2020 Madore ..... A61F 6/02

**OTHER PUBLICATIONS**  
FYJENNICC Lightweight Premium Chastity Device Medical Grade Resin Male Briefs V3 Transparent (Standard), prior to Jan. 12, 2021 [retrieved Mar. 12, 2021], Retrieved from the internet <URL:https://

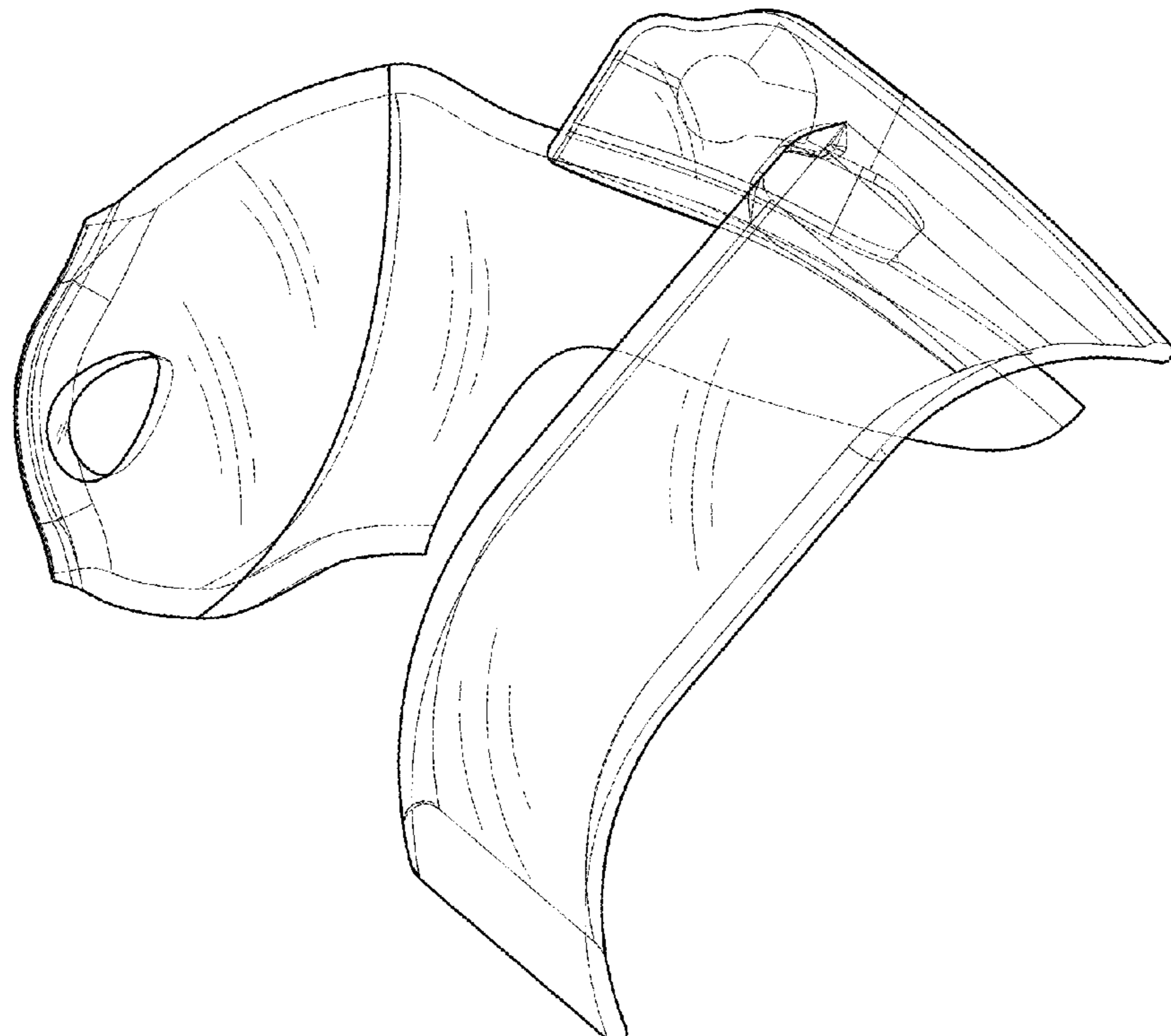
www.amazon.com/FYJENNICC-Lightweight-Chastity-Transparent-Standard/dp/B07QWZMZ7W/ref=pd\_lpo\_121\_img\_0/133-8342225-5288405?\_encoding=UTF8&pd\_rd\_i=B07QWZMZ7W&pd\_rd\_r=5764a467-347e-4c64-997d-fd5fbc4eaeac&pd\_rd\_w=7gZg1&pd\_rd\_wg=9fvOi&pf\_rd\_p=16b28406-aa34-451d-8a2e-b3930ada000c&pf\_rd\_r=F6XKJZRWNES5Y6ZADYMG&psc=1&refRID=F6XKJZRWNES5Y6ZADYMG>, Image.\*

\* cited by examiner  
*Primary Examiner* — Richelle G Shelton  
(74) *Attorney, Agent, or Firm* — Rumit Ranjit Kanakia

(57) **CLAIM**  
The ornamental design for a male chastity device, as shown and described.

**DESCRIPTION**  
FIG. 1 is a front elevational view of a male chastity device showing my new design;  
FIG. 2 is a rear elevational view thereof; and  
FIG. 3 is a left elevational view thereof;  
FIG. 4 is a right side view thereof;  
FIG. 5 is a top side view thereof;  
FIG. 6 is a bottom plan view thereof;  
FIG. 7 is a perspective view of a male chastity device showing my new design; and,  
FIG. 8 is an exploded perspective view of a male chastity device showing the tube being detached from the adjusting ring.

**1 Claim, 8 Drawing Sheets**



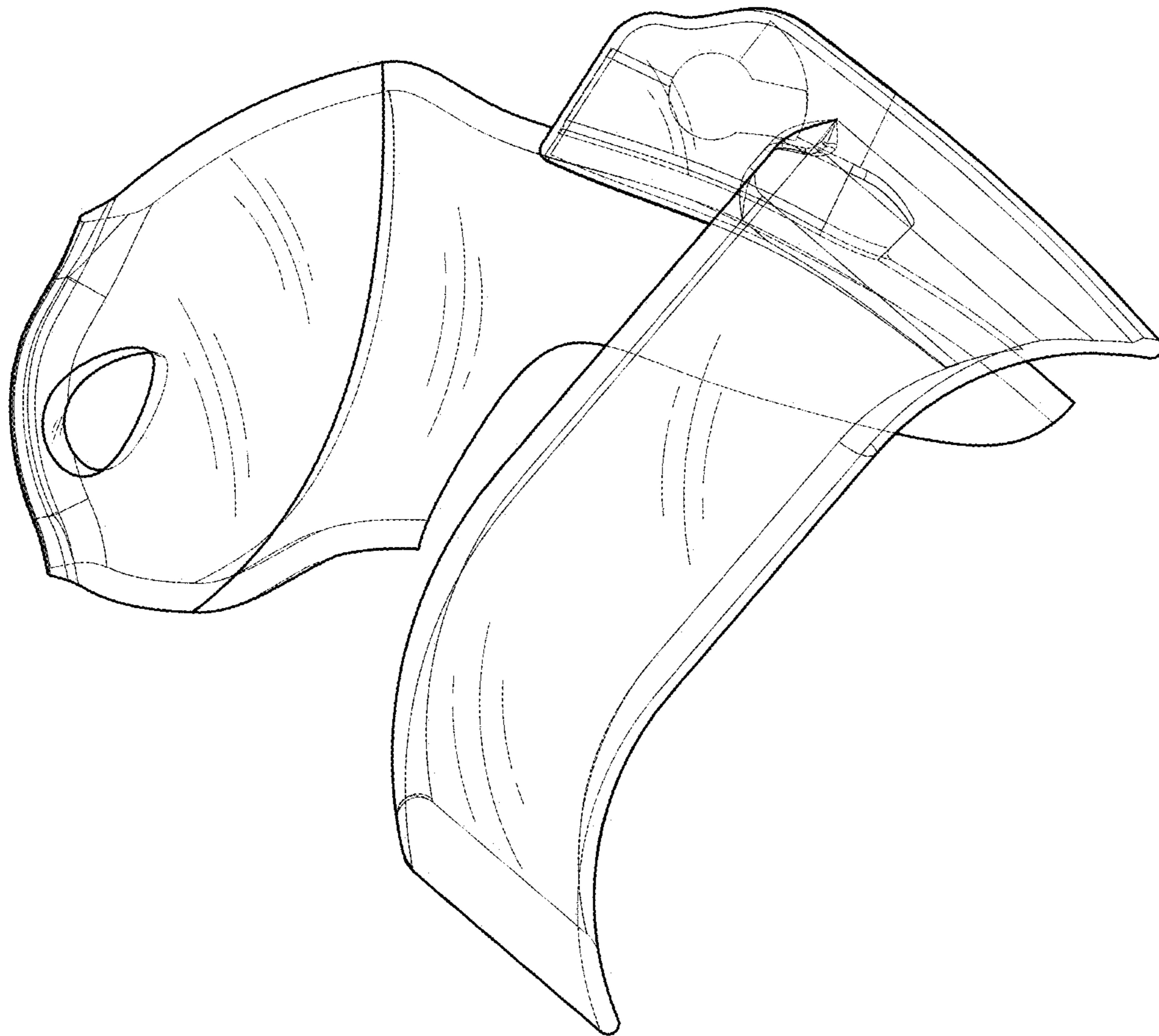


Fig. 1

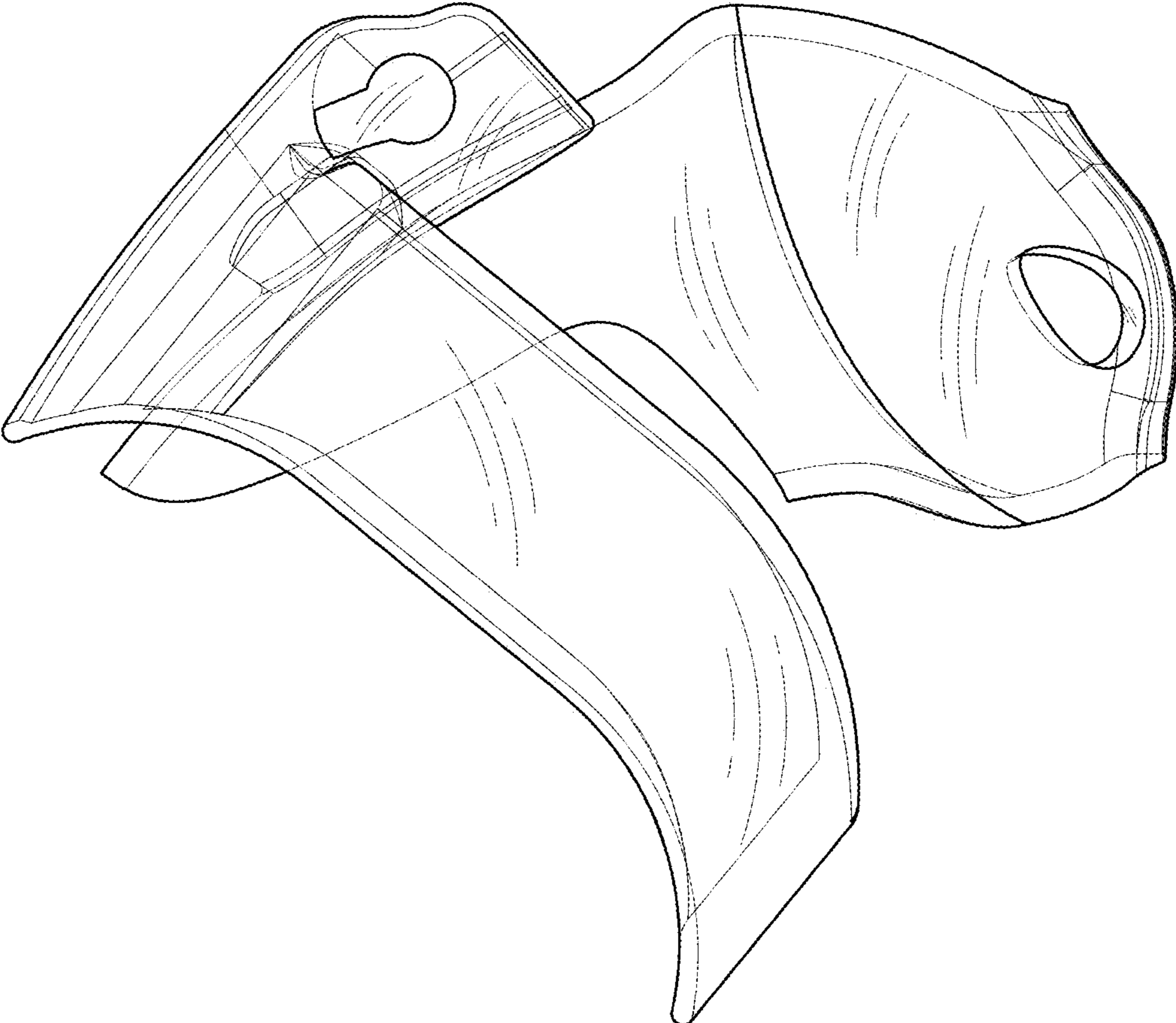


Fig.2

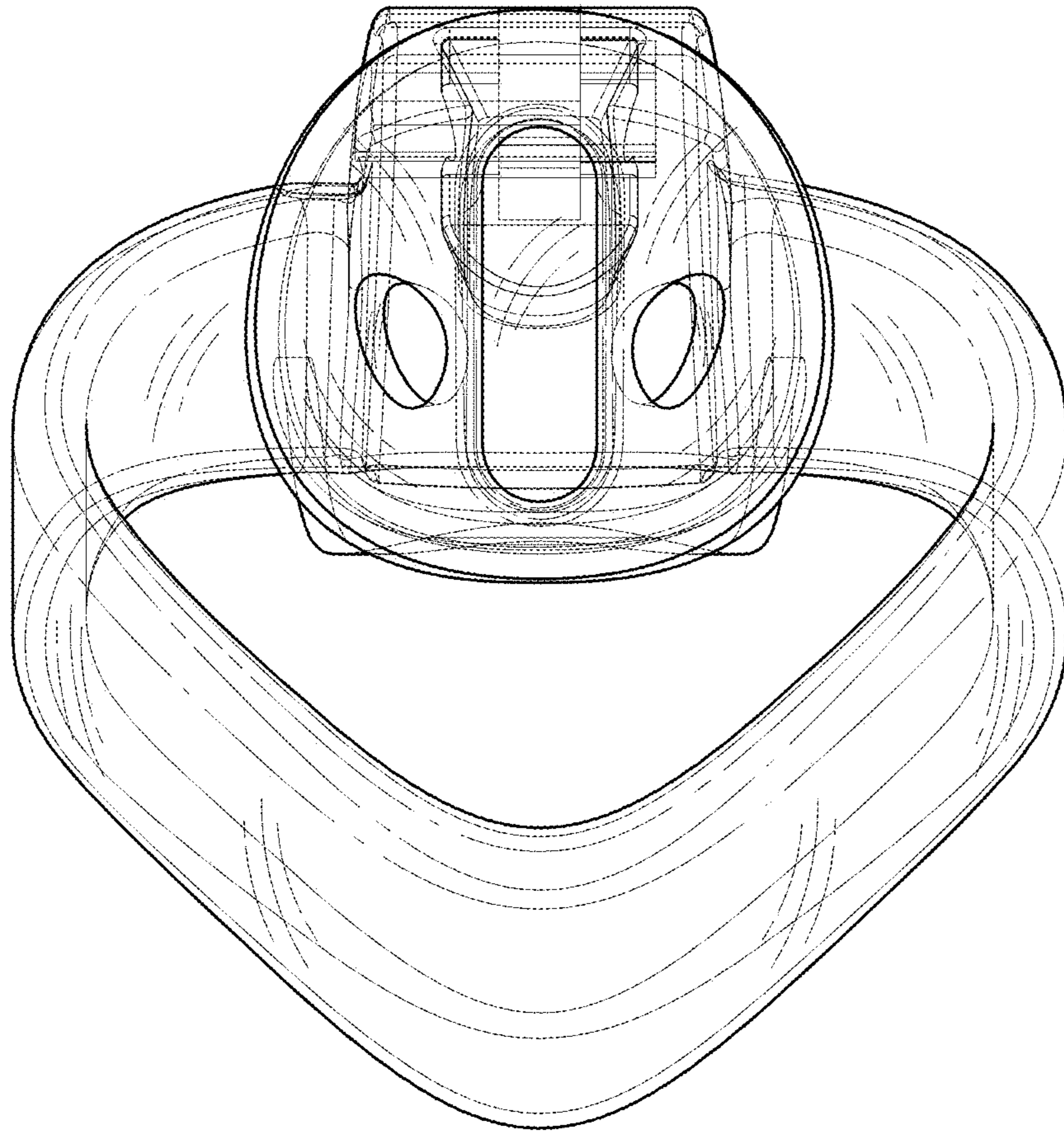


Fig.3

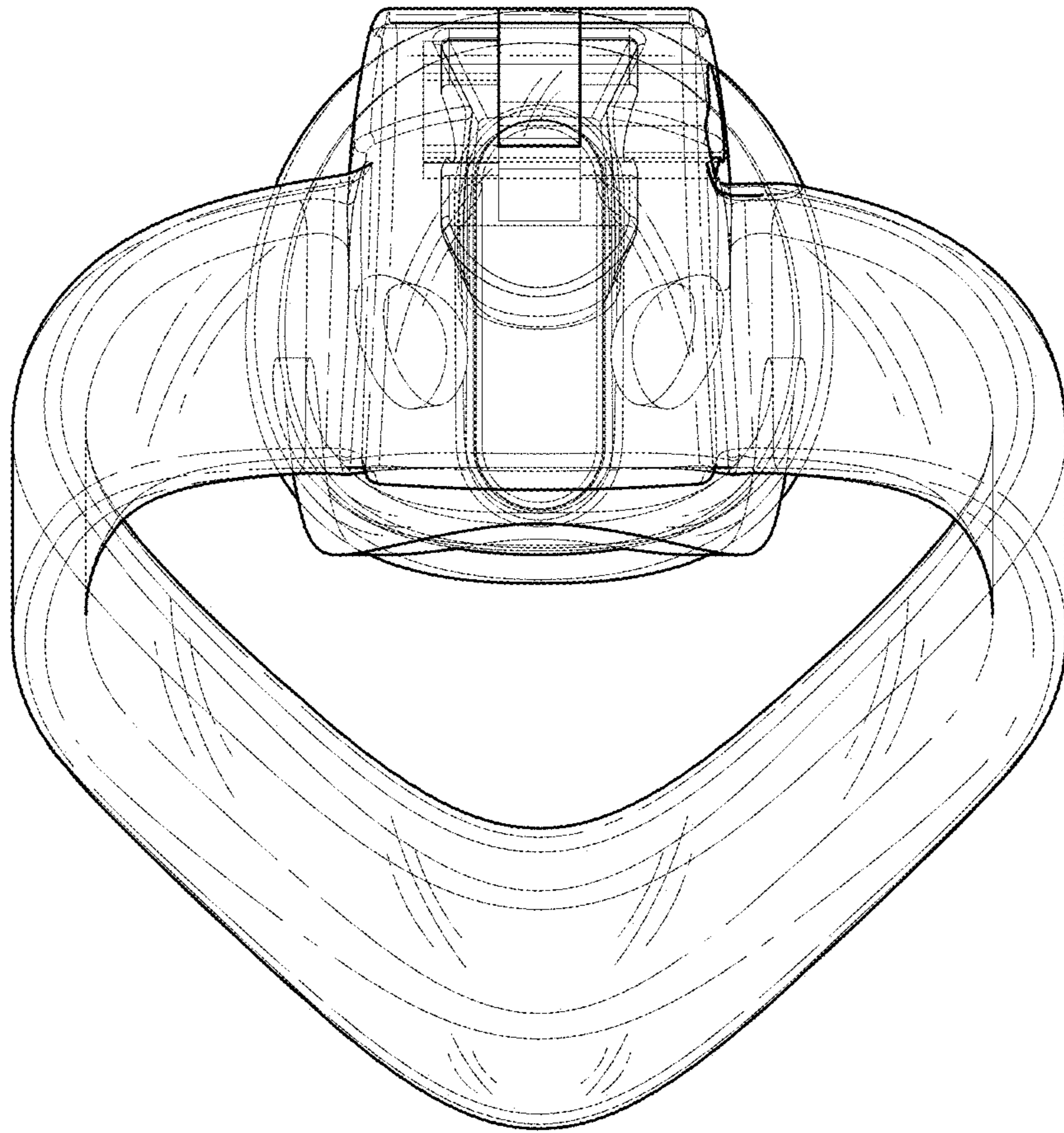


Fig.4

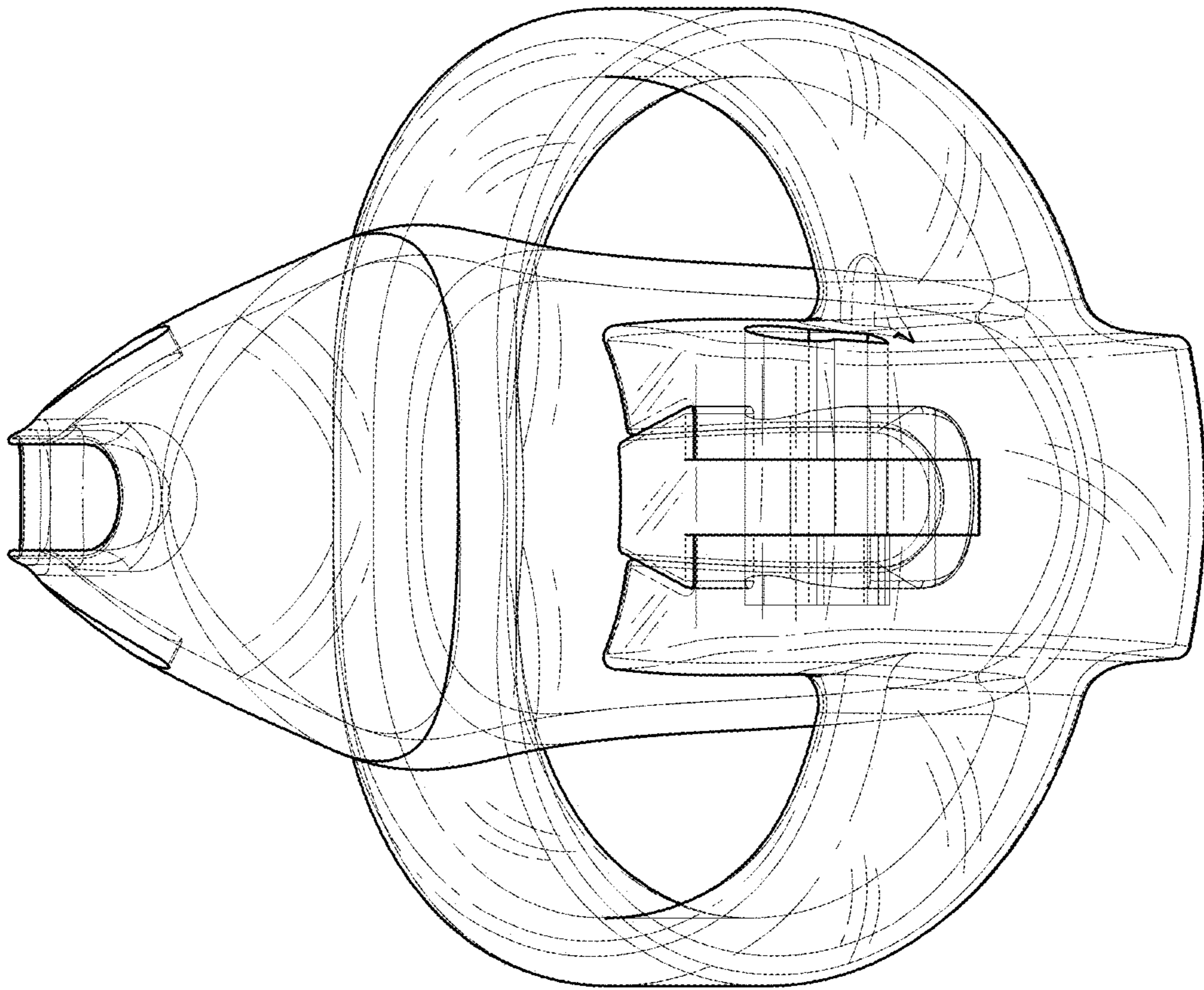


Fig.5

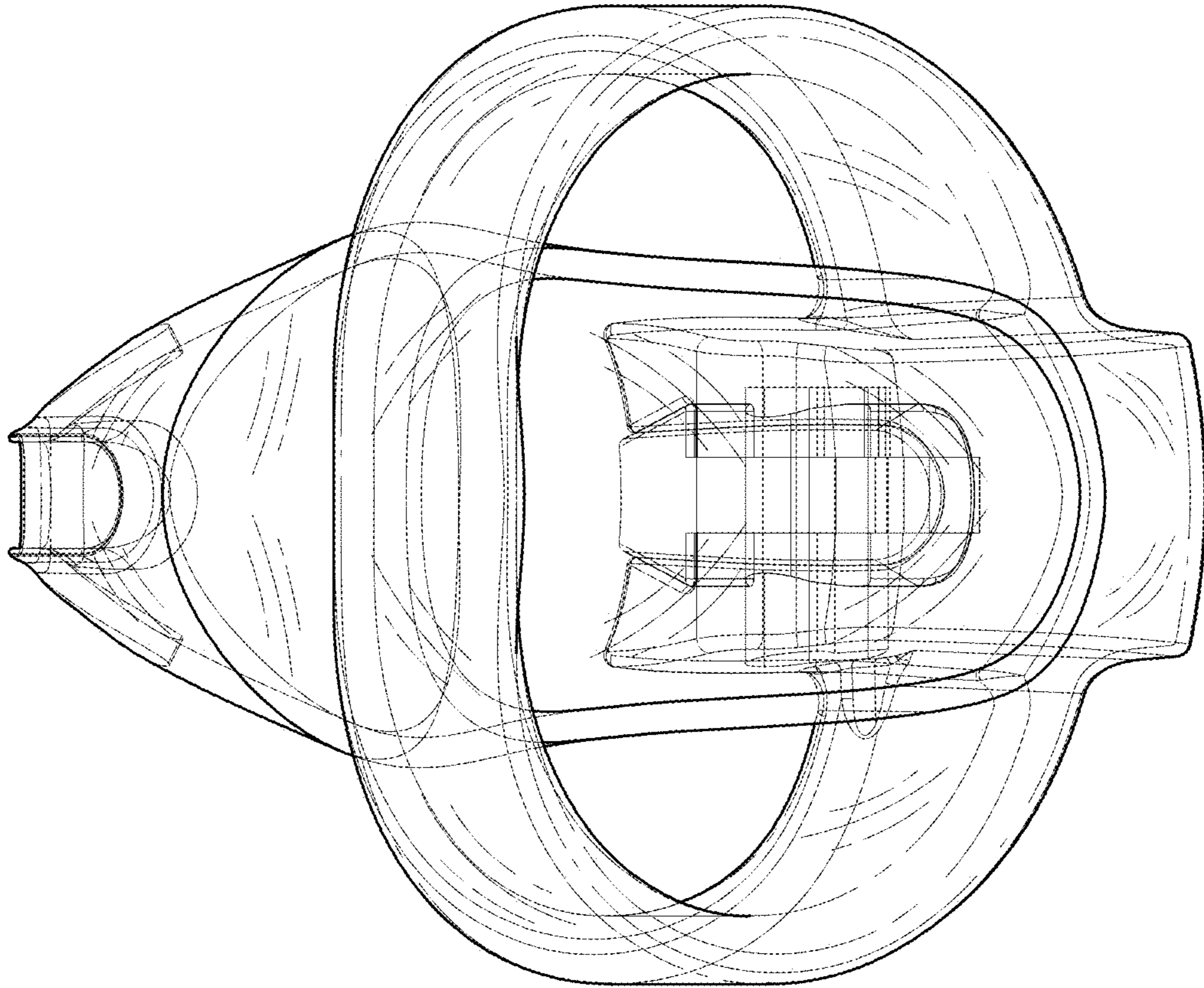


Fig.6

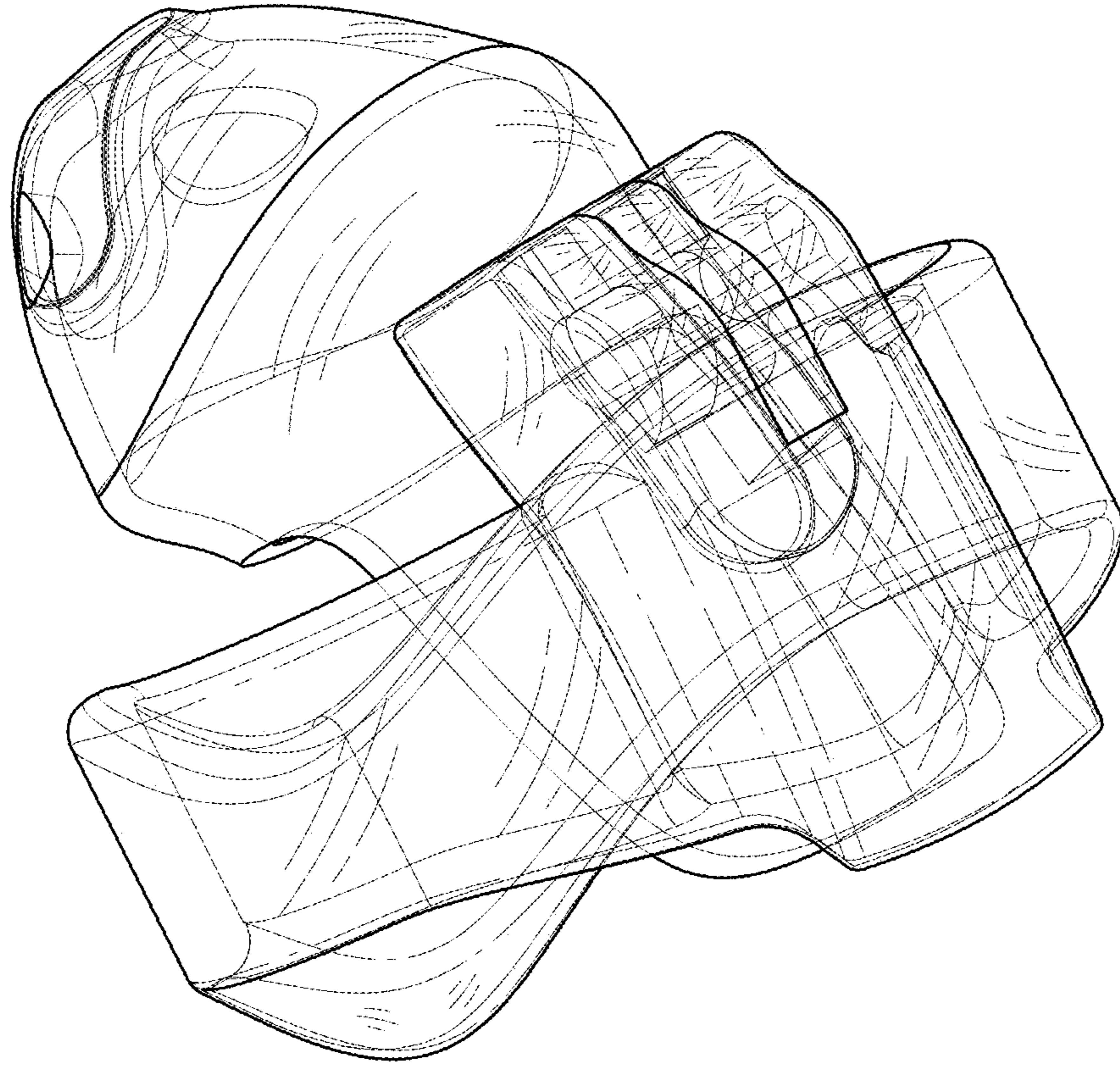


Fig.7



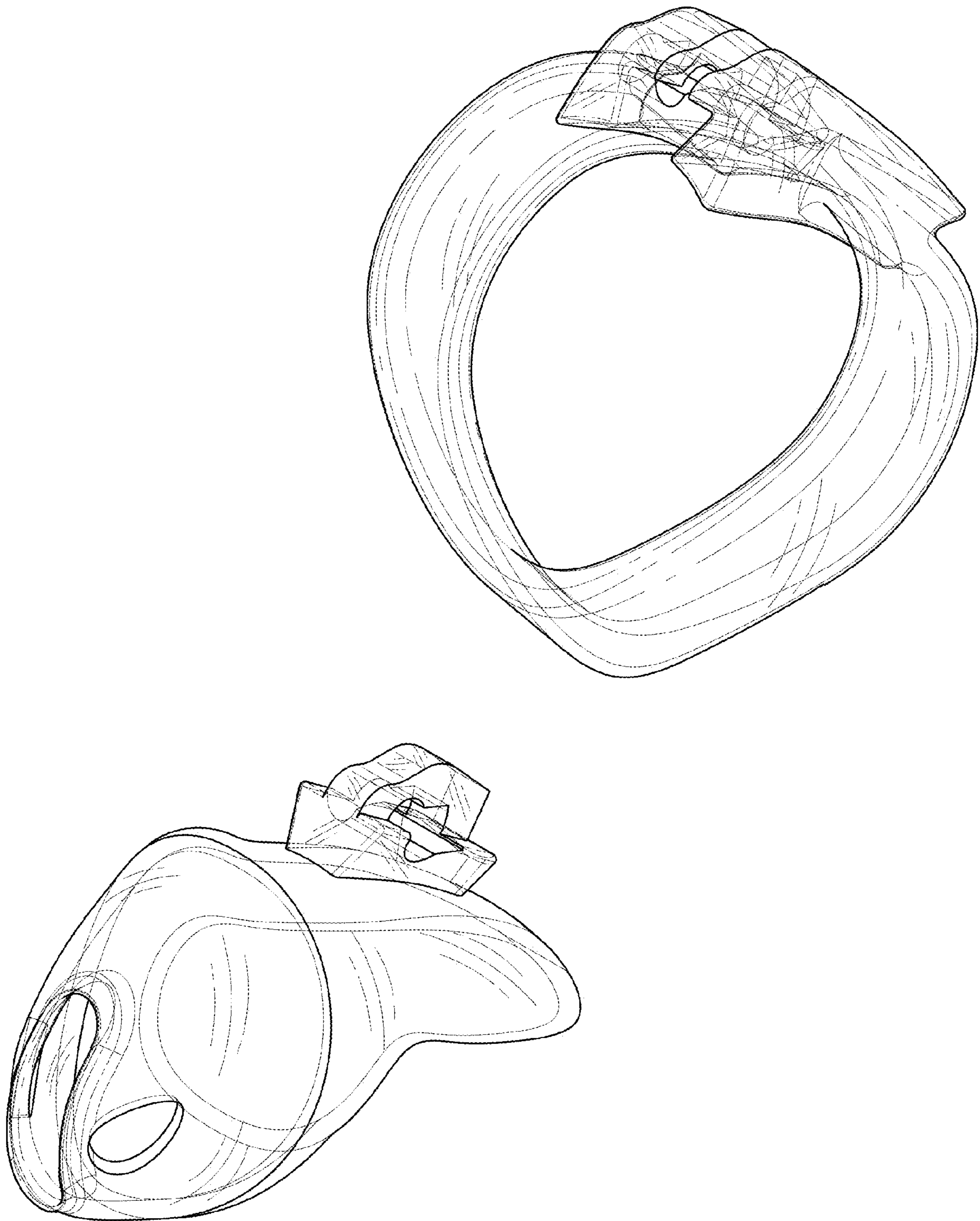


Fig.8