



US00D921181S

(12) **United States Design Patent**
Haggar

(10) **Patent No.:** **US D921,181 S**

(45) **Date of Patent:** **** *Jun. 1, 2021**

(54) **CEILING FAN**

(71) Applicant: **HUNTER FAN COMPANY,**
Memphis, TN (US)

(72) Inventor: **Alexander Jonathan Haggar,**
Memphis, TN (US)

(73) Assignee: **Hunter Fan Company,** Memphis, TN
(US)

(*) Notice: This patent is subject to a terminal disclaimer.

(**) Term: **15 Years**

(21) Appl. No.: **29/719,673**

(22) Filed: **Jan. 7, 2020**

Related U.S. Application Data

(60) Continuation of application No. 29/647,609, filed on May 15, 2018, now Pat. No. Des. 875,920, which is a continuation of application No. 29/622,208, filed on Oct. 16, 2017, now Pat. No. Des. 822,192, which is a division of application No. 29/582,440, filed on Oct. 27, 2016, now Pat. No. Des. 805,175.

(51) **LOC (13) Cl.** **23-04**

(52) **U.S. Cl.**
USPC **D23/377**

(58) **Field of Classification Search**
USPC D23/370, 377, 379, 385, 411; D26/59
CPC F04D 25/088; F21V 33/0096
See application file for complete search history.

(56) **References Cited**

U.S. PATENT DOCUMENTS

D298,052 S *	10/1988	Sonneman	D23/377
D314,618 S	2/1991	Yen		
D488,544 S	4/2004	Bacon		
7,080,813 B1	7/2006	Frampton et al.		
D627,874 S *	11/2010	Pan	D23/411
D628,688 S *	12/2010	Pan	D23/377
D632,381 S *	2/2011	Davenport	D23/377

D707,336 S *	6/2014	Pan	D23/377
D759,799 S *	6/2016	Wang	D23/385
D760,368 S *	6/2016	Chen	D23/377
D760,369 S	6/2016	Ertze		
D771,794 S *	11/2016	Wang	D23/411
D783,145 S	4/2017	Wang		
D795,410 S *	8/2017	Holmes	D23/377

(Continued)

OTHER PUBLICATIONS

<https://www.menards.com/main/lighting-ceiling-fans/ceiling-fans/shop-all-ceiling-fans/turn-of-the-century-reg-montego-bay-52-weathered-copper-wet-rated-ceiling-fan/p-1444424537879-c-7487.htm?tid=70857110150563470>, Item Specification for Turn of the Century Montego Bay 52" Weathered Copper Transitional Wet-Rated Ceiling Fan, Model No. CP152115, Accessed on Oct. 27, 2016.

<http://www.kichlerlightinglights.com/product/kichler-lighting-vassar-indoor-ceiling-fans-300175wh.html?page=1>, Item Specification for Kichler 300175WH, Model No. 300175WH, Accessed on Oct. 27, 2016.

(Continued)

Primary Examiner — Janice Hallmark

(74) *Attorney, Agent, or Firm* — McGarry Bair PC

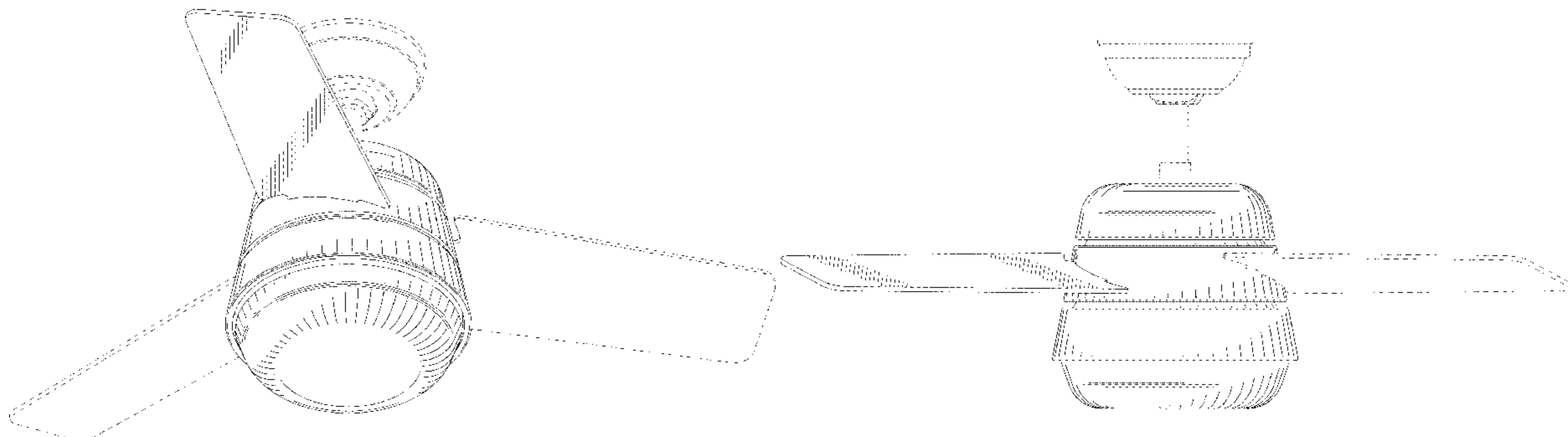
(57) **CLAIM**

The ornamental design for a ceiling fan, as shown and described.

DESCRIPTION

FIG. 1 is a bottom perspective view of a ceiling fan according to my new design; FIG. 2 is a top perspective view of the ceiling fan of FIG. 1; FIG. 3 is a top view of the ceiling fan of FIG. 1; FIG. 4 is a bottom view of the ceiling fan of FIG. 1; FIG. 5 is a rear side view of the ceiling fan of FIG. 1; FIG. 6 is a left side view of the ceiling fan of FIG. 1; FIG. 7 is a front side view of the ceiling fan of FIG. 1; and, FIG. 8 is a right side view of the ceiling fan of FIG. 1. Portions of the ceiling fan shown in broken lines form no part of the claimed design.

1 Claim, 8 Drawing Sheets



(56)

References Cited

U.S. PATENT DOCUMENTS

D796,024 S * 8/2017 Holmes D23/377
 D803,384 S 11/2017 Wang
 D804,629 S * 12/2017 McRoberts D23/377
 D804,630 S 12/2017 Holmes et al.
 D804,639 S * 12/2017 Guthrie D23/377
 D805,175 S * 12/2017 Hagggar D23/377
 D810,915 S 2/2018 Guthrie et al.
 D810,917 S * 2/2018 Holmes D23/377
 D822,192 S * 7/2018 Hagggar D23/411
 D825,052 S 8/2018 Guthrie
 D826,395 S 8/2018 McRoberts et al.
 D827,123 S 8/2018 Guthrie
 D838,356 S * 1/2019 Hagggar D23/411
 D844,769 S * 4/2019 McRoberts D23/411
 D855,172 S * 7/2019 Holmes D23/411
 D875,920 S * 2/2020 Hagggar D23/411
 2005/0249598 A1 * 11/2005 Young F04D 25/088
 416/198 R

OTHER PUBLICATIONS

<http://www.homedepot.com/p/Hampton-Bay-Marlton-52-in-Indoor-Liquid-Nickel-Ceiling-Fan-YG305-LN/202529593>, Item Specification for Hampton Bay Marlton 52 in. Indoor Liquid Nickel Ceiling Fan, Model No. YG305-LN, Accessed on Oct. 27, 2016.
<http://www.kichler.com/products/product/56-ellys-ceiling-fan-ni-300239ni.aspx>, Item Specification for Ellys Collection 56" Ellys Ceiling Fan NI, Model No. 300239NI, Accessed on Oct. 27, 2016.
<http://www.montecarlofans.com/50446/52-Discus-Trio---Brushed-Steel-3DIR52BSD.html>, Item Specification for Monte Carlo Discus Trio Collection, Model No. 3DIR52BSD, Accessed on Oct. 27, 2016.
<http://ceilingfans.emerson.com/shop/en/fan/midway-eco-fan-p-cf955>, Item Specification for Emerson Midway Eco, Model No. CF955BS, Accessed on Oct. 27, 2016.
<http://kingoffans.com/#/products/ceilingFans>, Item Specification for Windward, Model No. 54404, Accessed on Oct. 27, 2016.

* cited by examiner

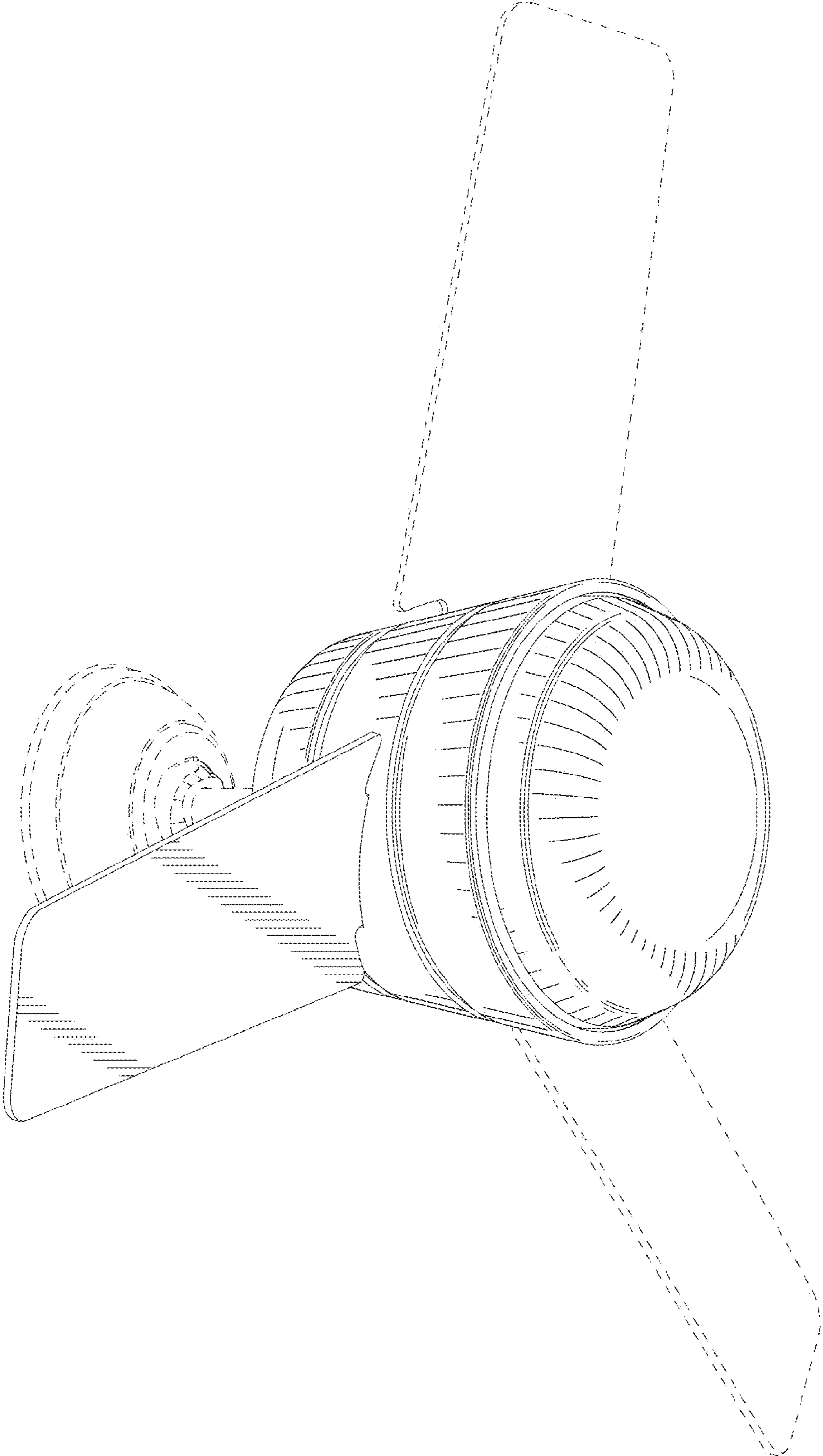


FIG. 1

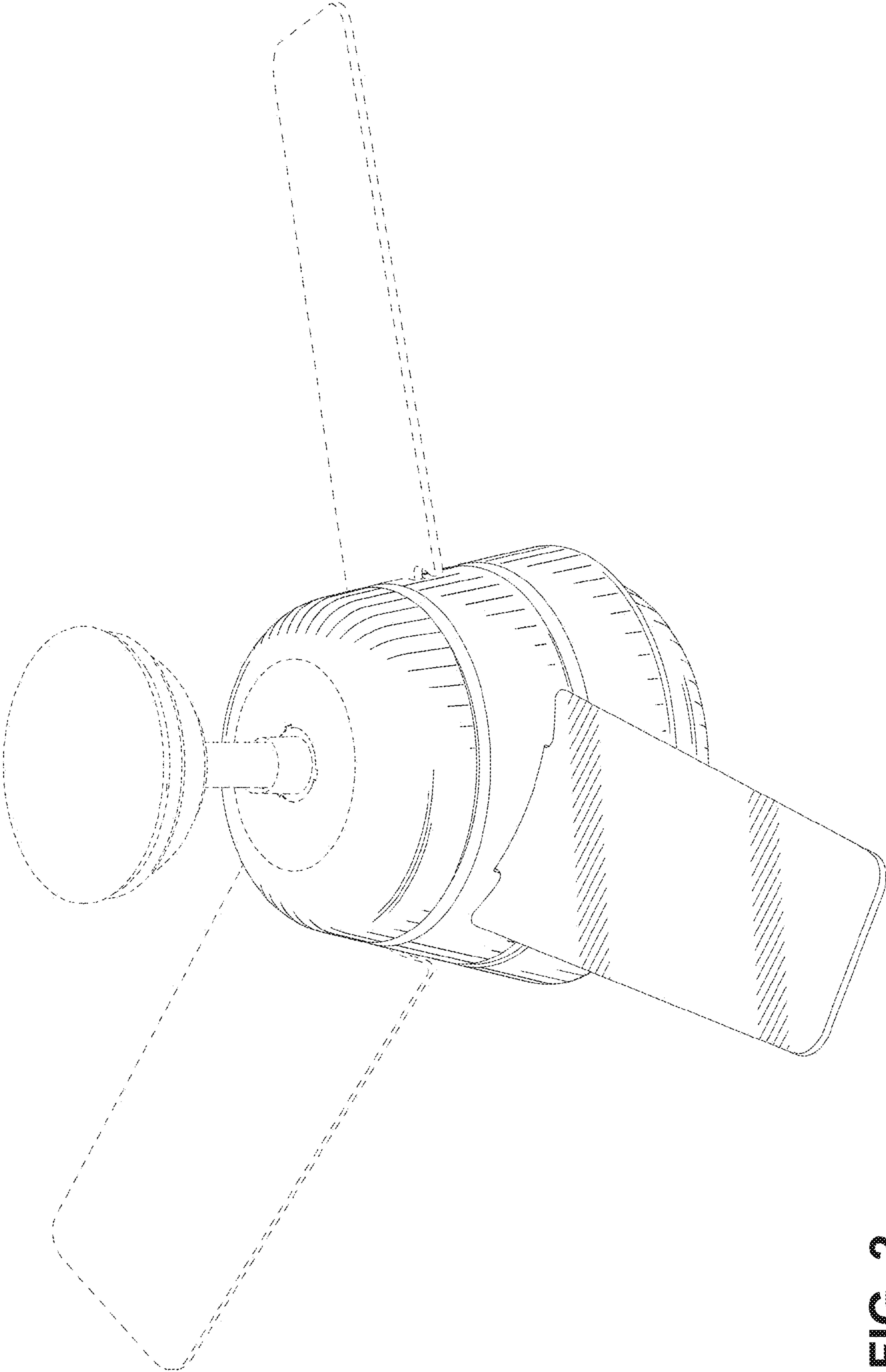


FIG. 2

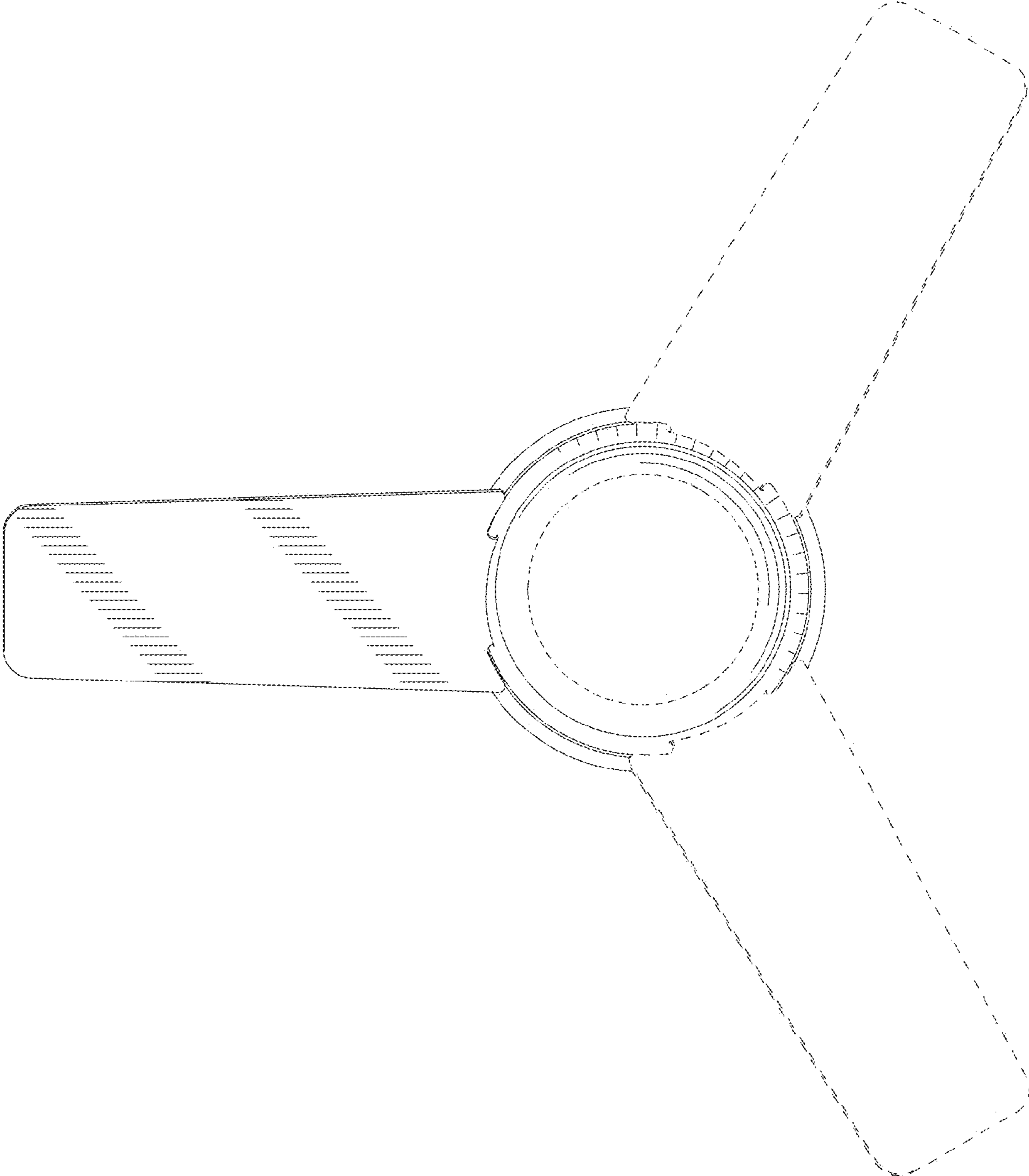


FIG. 3

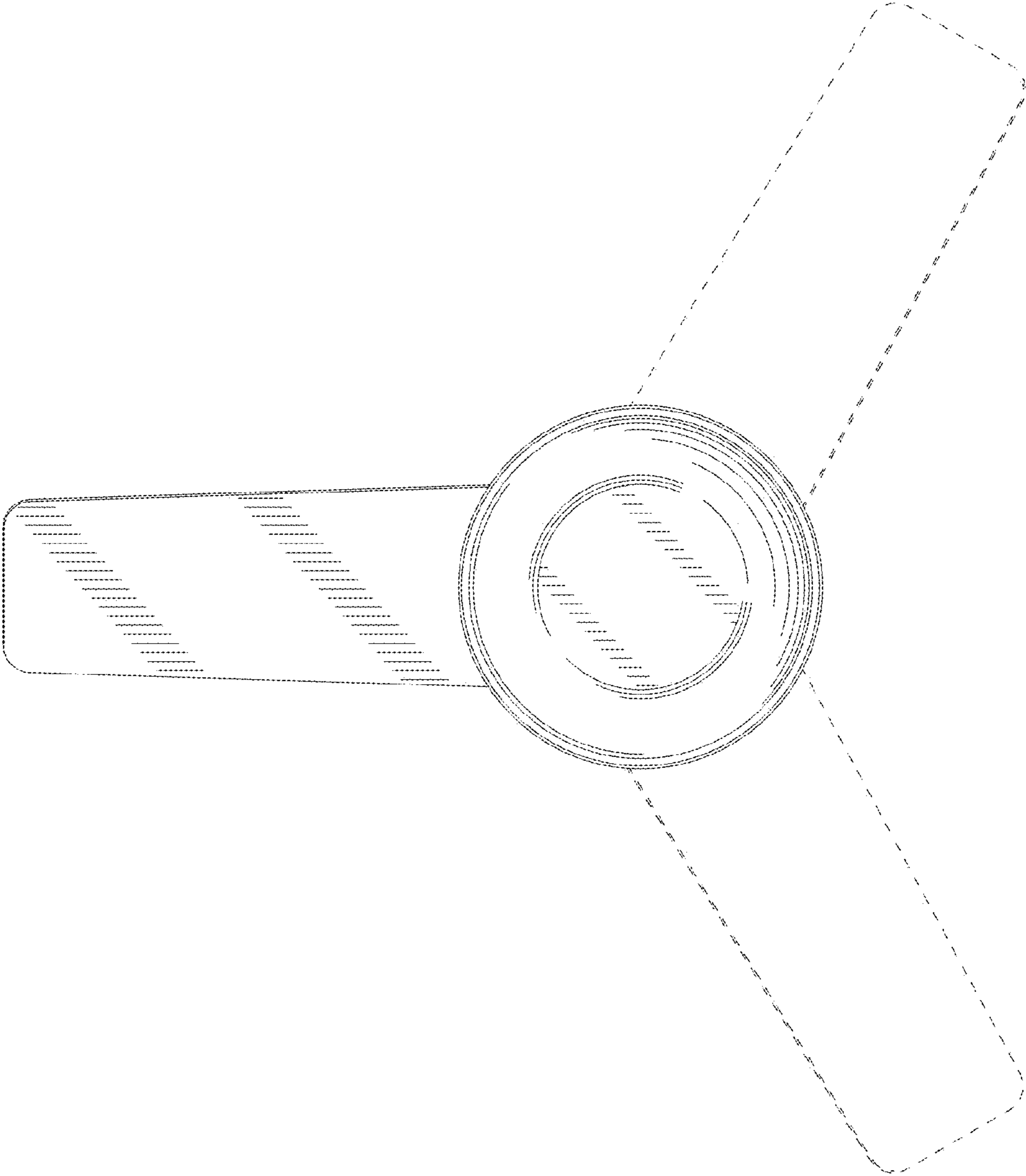


FIG. 4

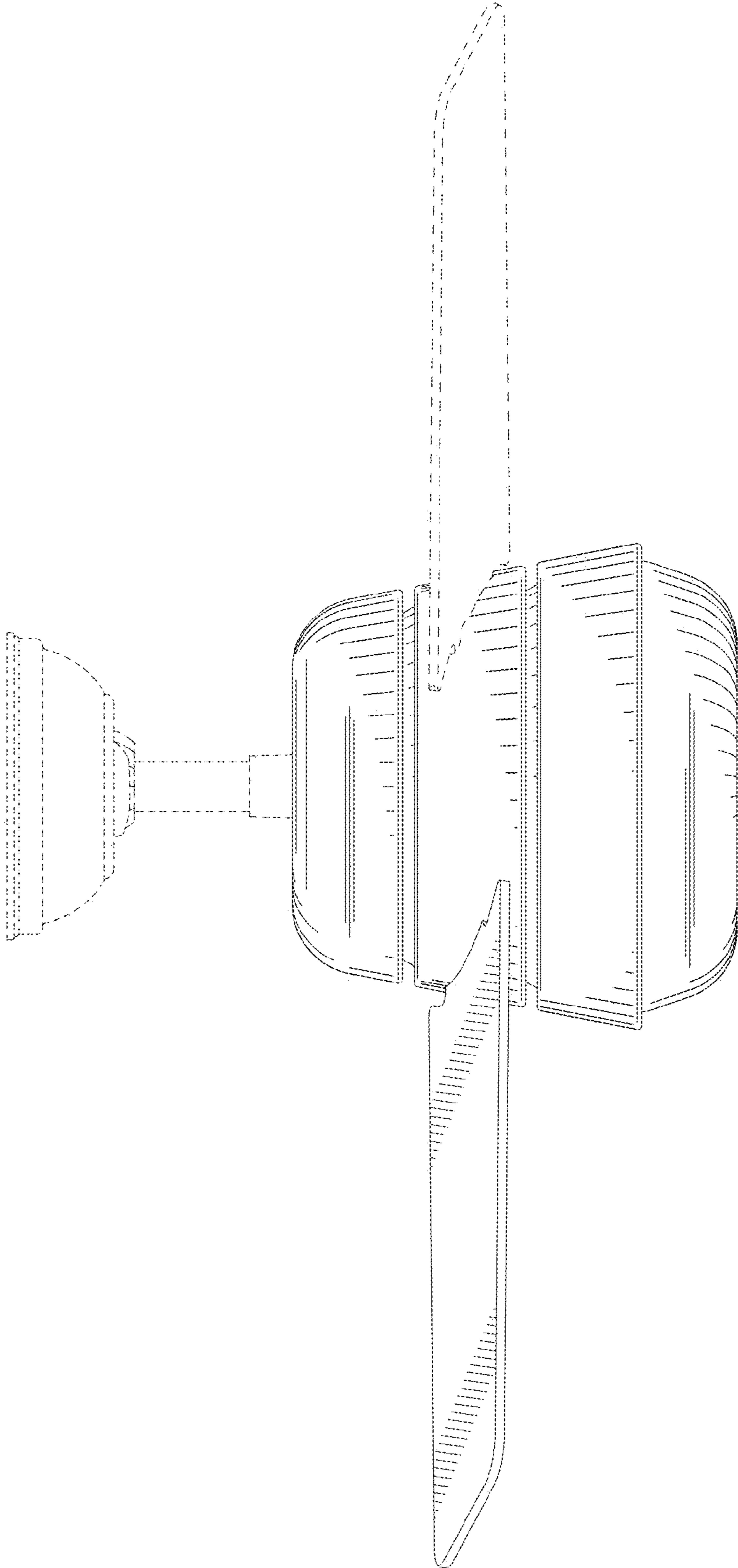


FIG. 5

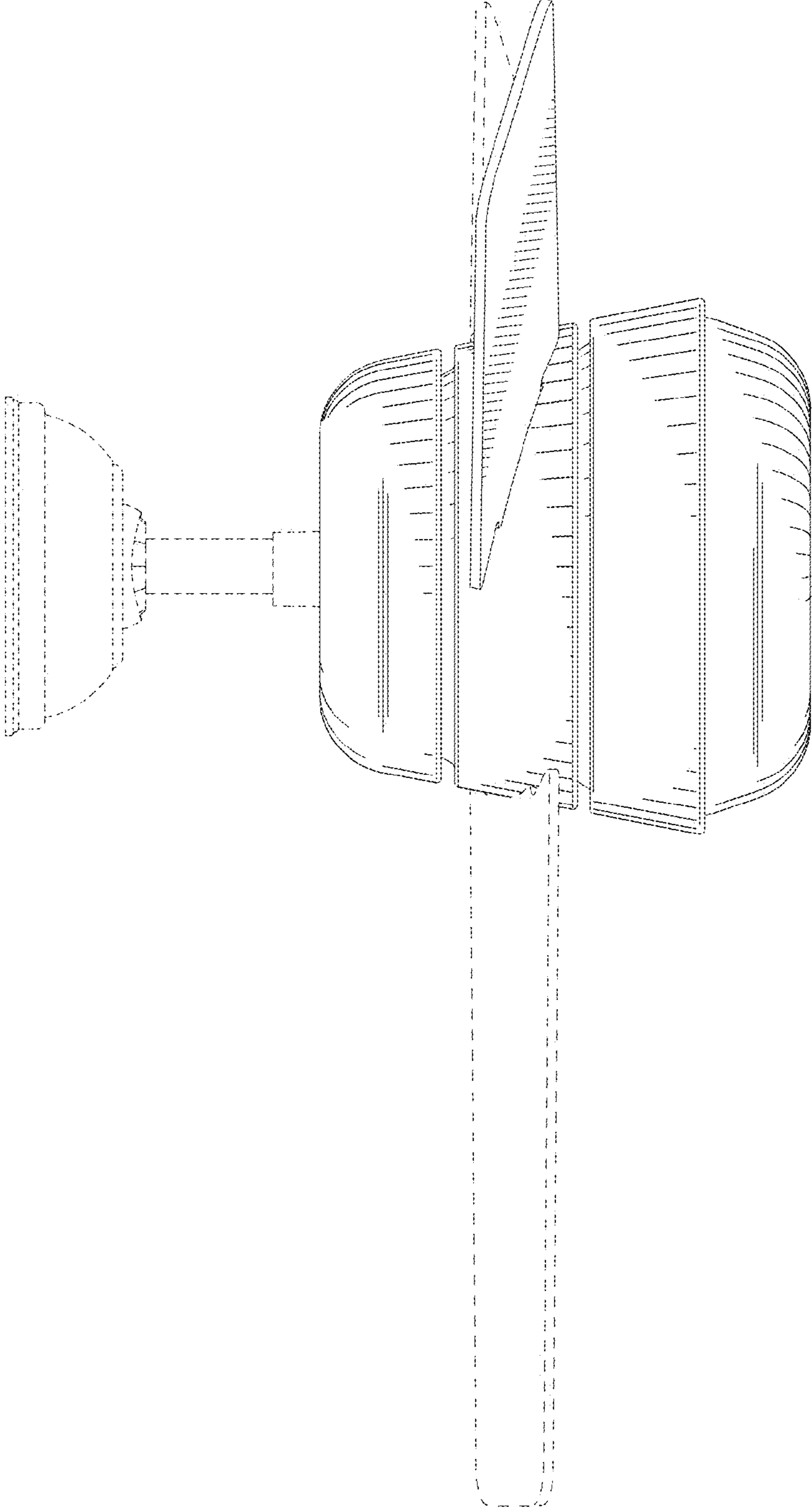


FIG. 6

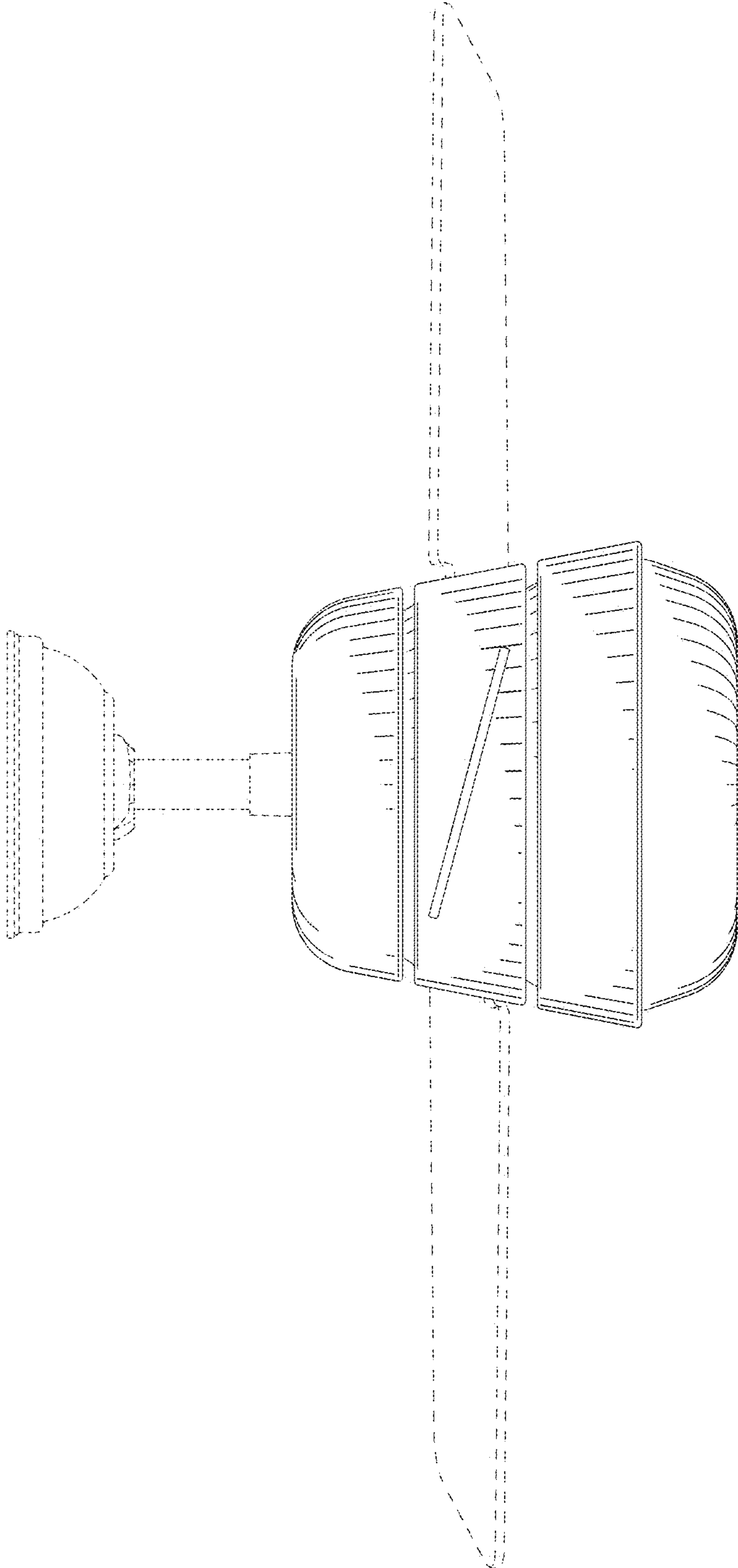


FIG. 7

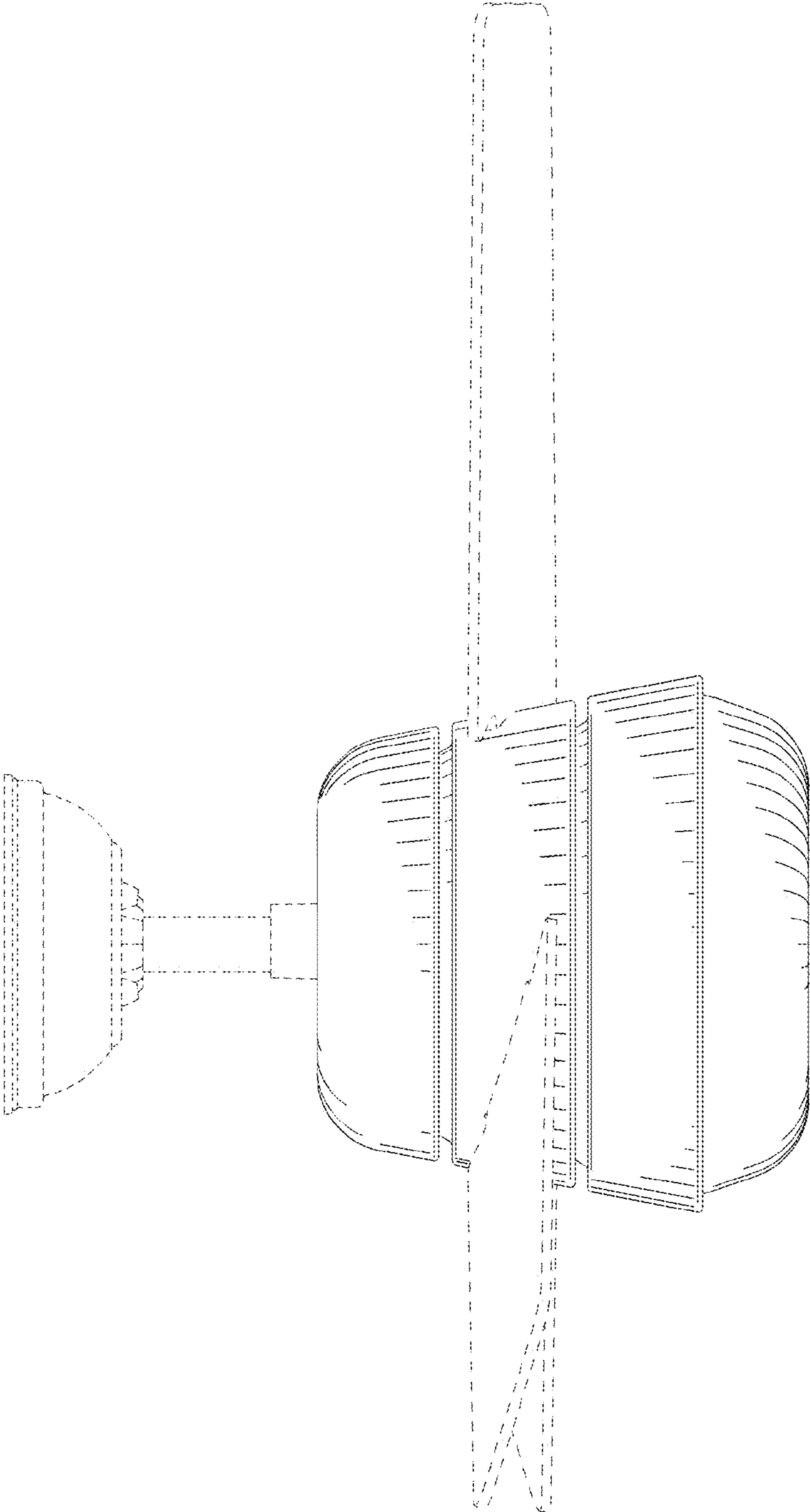


FIG. 8