

US00D921180S

(12) **United States Design Patent** (10) **Patent No.:** **US D921,180 S**
McRoberts (45) **Date of Patent:** **** *Jun. 1, 2021**

- (54) **CEILING FAN**
- (71) Applicant: **HUNTER FAN COMPANY**,
Memphis, TN (US)
- (72) Inventor: **Claire Bernice McRoberts**, Memphis,
TN (US)
- (73) Assignee: **Hunter Fan Company**, Memphis, TN
(US)
- (*) Notice: This patent is subject to a terminal dis-
claimer.
- (**) Term: **15 Years**
- (21) Appl. No.: **29/719,278**
- (22) Filed: **Jan. 2, 2020**

Related U.S. Application Data

- (60) Continuation of application No. 29/621,616, filed on
Oct. 10, 2017, now Pat. No. Des. 878,652, which is a
division of application No. 29/582,808, filed on Oct.
31, 2016, now Pat. No. Des. 814,011.
- (51) **LOC (13) Cl.** **23-04**
- (52) **U.S. Cl.**
USPC **D23/377**
- (58) **Field of Classification Search**
USPC D23/370, 377, 379, 385, 411; D26/59
CPC F04D 25/088; F21V 33/0096
See application file for complete search history.

References Cited

U.S. PATENT DOCUMENTS

D430,930 S	*	9/2000	Zuege	D23/377
D435,289 S		12/2000	Liu		
D451,189 S	*	11/2001	Liu	D23/377
D510,622 S	*	10/2005	Tai	D23/411
D517,675 S	*	3/2006	Young	D23/377
D521,625 S	*	5/2006	Young	D23/377

D525,696 S		7/2006	Ertze		
D528,645 S	*	9/2006	Young	D23/377
D547,483 S		7/2007	Pickett		
D603,954 S		11/2009	Curtin		
D704,819 S		5/2014	Wang		
D710,489 S	*	8/2014	Shurtleff	D23/377
D710,490 S		8/2014	Shurtleff		
D710,789 S		8/2014	Koog		
D712,533 S		9/2014	Allen et al.		
D778,422 S	*	2/2017	Gajewski	D23/377
D779,052 S	*	2/2017	Gajewski	D23/411
D783,796 S	*	4/2017	Badarello	D23/385
D783,797 S	*	4/2017	Badarello	D23/385
D799,682 S		10/2017	Wang		
D805,182 S		12/2017	Pickett		
D810,981 S		2/2018	McRoberts		

(Continued)

OTHER PUBLICATIONS

<http://www.quoruminternational.com/index.cfm/app/productDetail?product=53524-86>, Item Specification for Quorum 53524-86 Mis-
sion ob—Oiled Bronze Ceiling Fan, Accessed Oct. 28, 2016.

(Continued)

Primary Examiner — Janice Hallmark
(74) *Attorney, Agent, or Firm* — McGarry Bair PC

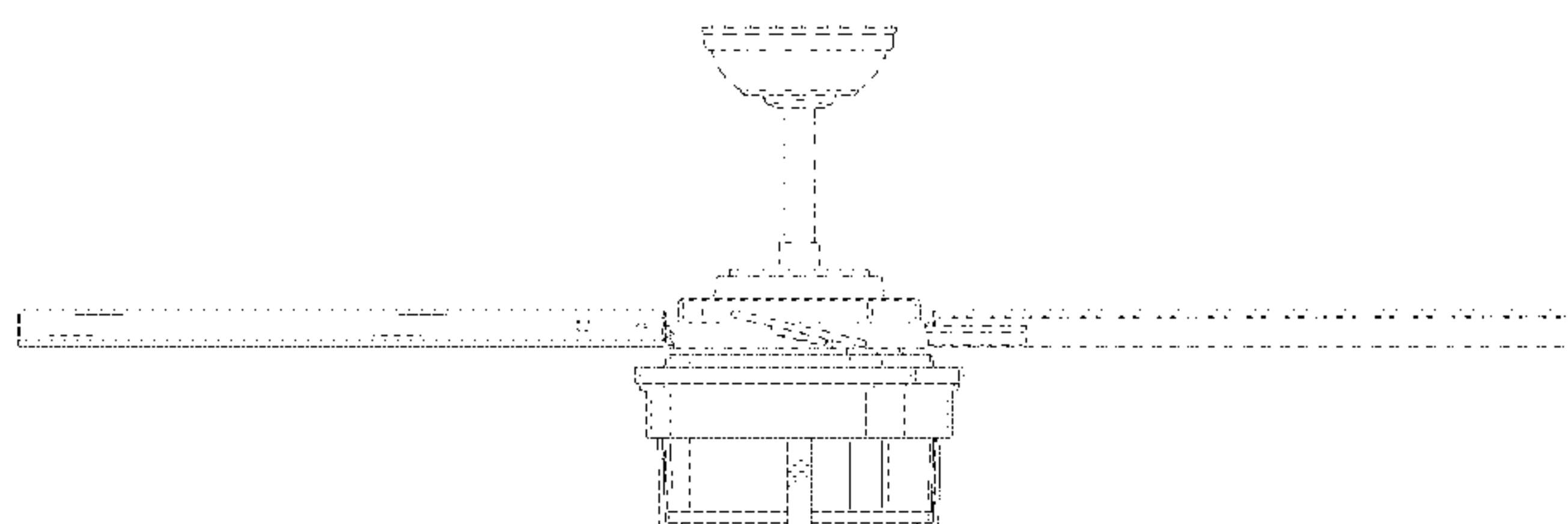
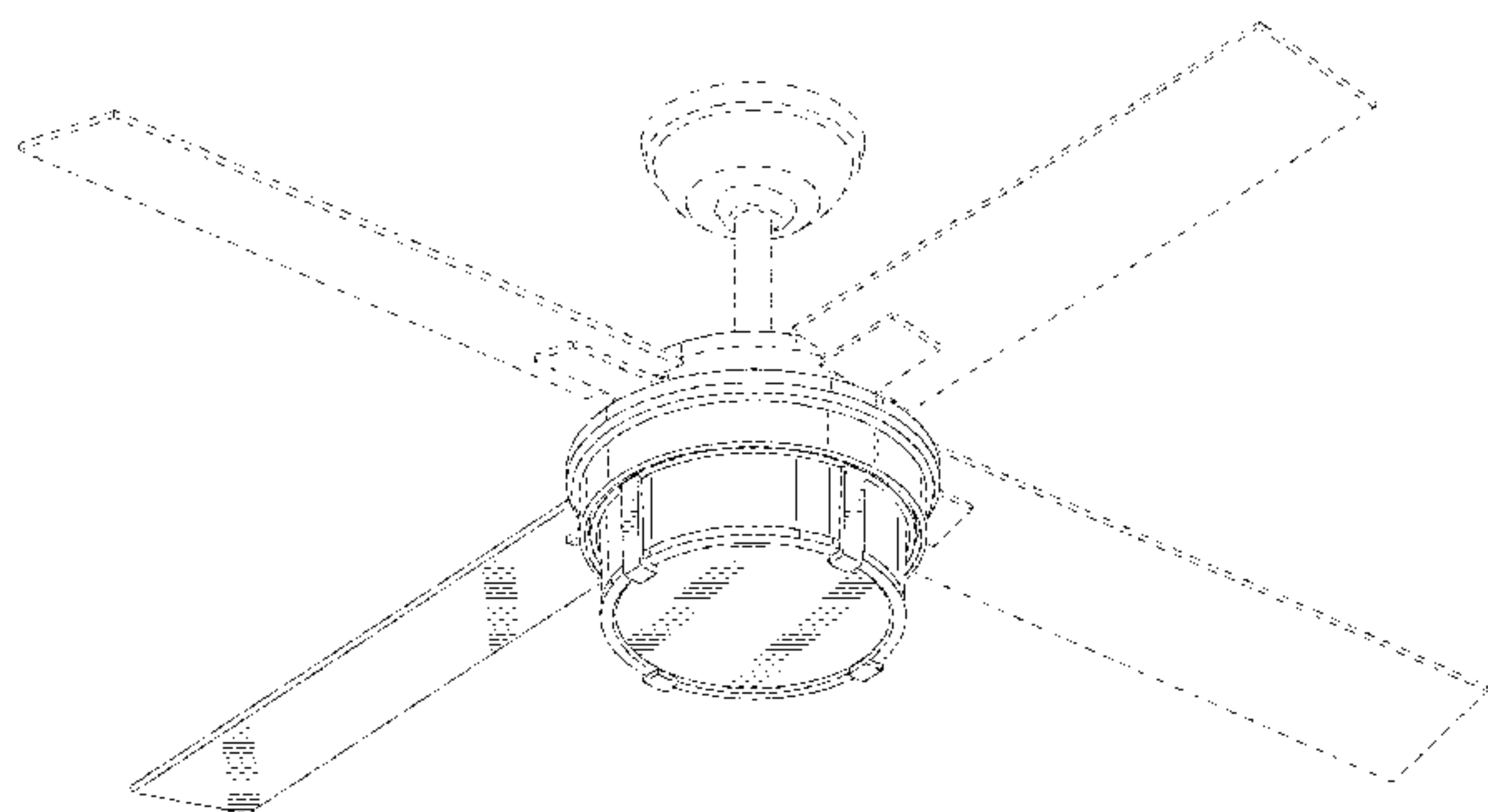
(57) **CLAIM**

The ornamental design for a ceiling fan, as shown and
described.

DESCRIPTION

FIG. 1 is a top perspective view of a ceiling fan according
to my new design;
FIG. 2 is a bottom perspective view thereof;
FIG. 3 is a top view thereof;
FIG. 4 is a bottom view thereof; and,
FIG. 5 is a side view thereof.
Portions of the ceiling fan shown in broken lines form no
part of the claimed design.

1 Claim, 5 Drawing Sheets



(56)

References Cited

U.S. PATENT DOCUMENTS

D814,011 S	3/2018	McRoberts et al.	
D820,431 S	6/2018	Ertze	
D821,009 S	6/2018	Holmes	
D821,010 S	6/2018	Holmes	
D824,558 S	7/2018	Guthrie	
D825,086 S	8/2018	Holmes	
D834,172 S	11/2018	Guthrie	
D855,873 S	8/2019	Haggar	
D859,628 S	9/2019	Yang	
D861,218 S	9/2019	Yang	
2005/0249598 A1	11/2005	Young	
2011/0052411 A1*	3/2011	Yamamoto	F04D 25/08 416/244 R

OTHER PUBLICATIONS

<http://ceilingfans.emerson.com/shop/en/fan/fans-s-emerson-fans/fans-s-transitional/amhurst-fan-p-cf880>, Item Specification for Emerson Amhurst 54" Ceiling fan, Accessed Oct. 28, 2016.
<http://www.hunterfan.com/Ceiling-Fans/HFC-72?ModelNumber=59136>, Item Specification for Hunter HFC-72—72" Ceiling Fan, Accessed Oct. 28, 2016.

<http://www.hunterfan.com/Ceiling-Fans/Leoni?ModelNumber=59220>, Item Specification for Hunter Leoni—48" Ceiling Fan, Accessed Oct. 28, 2016.
<http://www.montecarlofans.com/44074/60in-Empire---Matte-Black-8EER60BD.html>, Item Specification for Monte Carlo 60" Empire—Mate Black, Accessed Oct. 28, 2016.
<http://www.minkagroup.net/products/f524-whf>, Item Specification for Minka Aire 52" 3 Blade Ceiling Fan in Flat White Finish, Accessed Oct. 28, 2016.
<http://www.fanimation.com/products/index.php/fans/inlet.html>, Item Specification for Fanimation Inlet, Accessed Oct. 28, 2016.
<http://www.montecarlofans.com/32464/52-Dakota-Fan--Espresso-5DKR52ESD.html>, Item Specification for Monte Carlo 52" Dakota Fan—Espresso, Accessed Oct. 28, 2016.
<http://www.homedepot.com/p/Hampton-Bay-Tipton-II-52-in-Oil-Rubbed-Bronze-Ceiling-Fan-AL995-ORB/203786413>, Item Specification for Hampton Bay Tipton II 52 in. Oil-Rubbed Bronze Ceiling Fan, Accessed Oct. 28, 2016.
<http://www.craftmade.com/Craftmade-MOR54ESP3-Espresso-Ceiling-Fan.HTM>, Item Specification for Craftmade MOR54ESP3—Moorestad Espresso Finish, Accessed Oct. 28, 2016.
<http://www.fanimation.com/products/index.php/fans/stafford.html>, Item Specification for Fanimation Stafford, Accessed Oct. 28, 2016.
<http://www.hunterfan.com/Ceiling-Fans/Acadia?ModelNumber=59171>, Item Specification for Hunter Acadia—46" Ceiling Fan, Accessed Oct. 28, 2016.

* cited by examiner

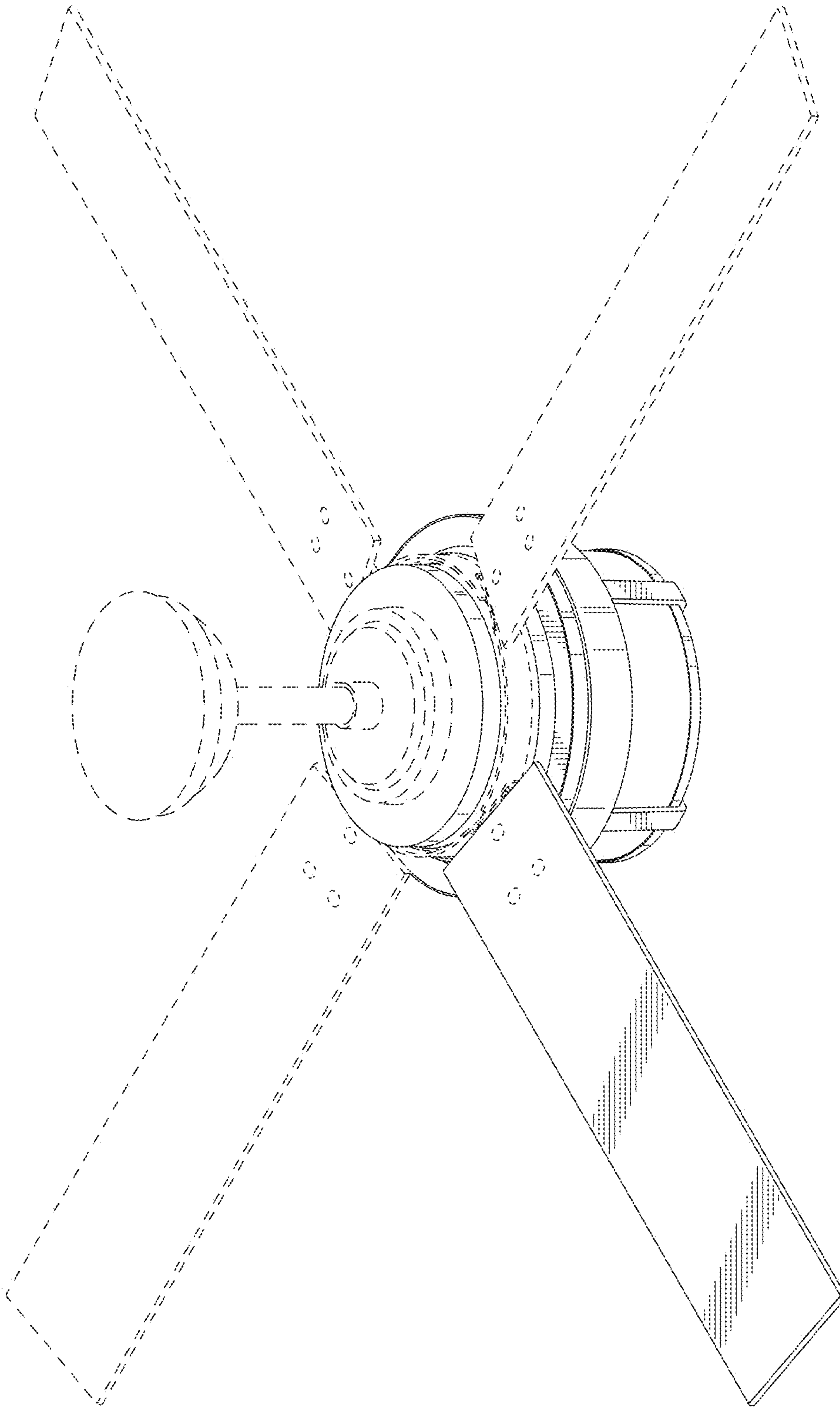


FIG.1

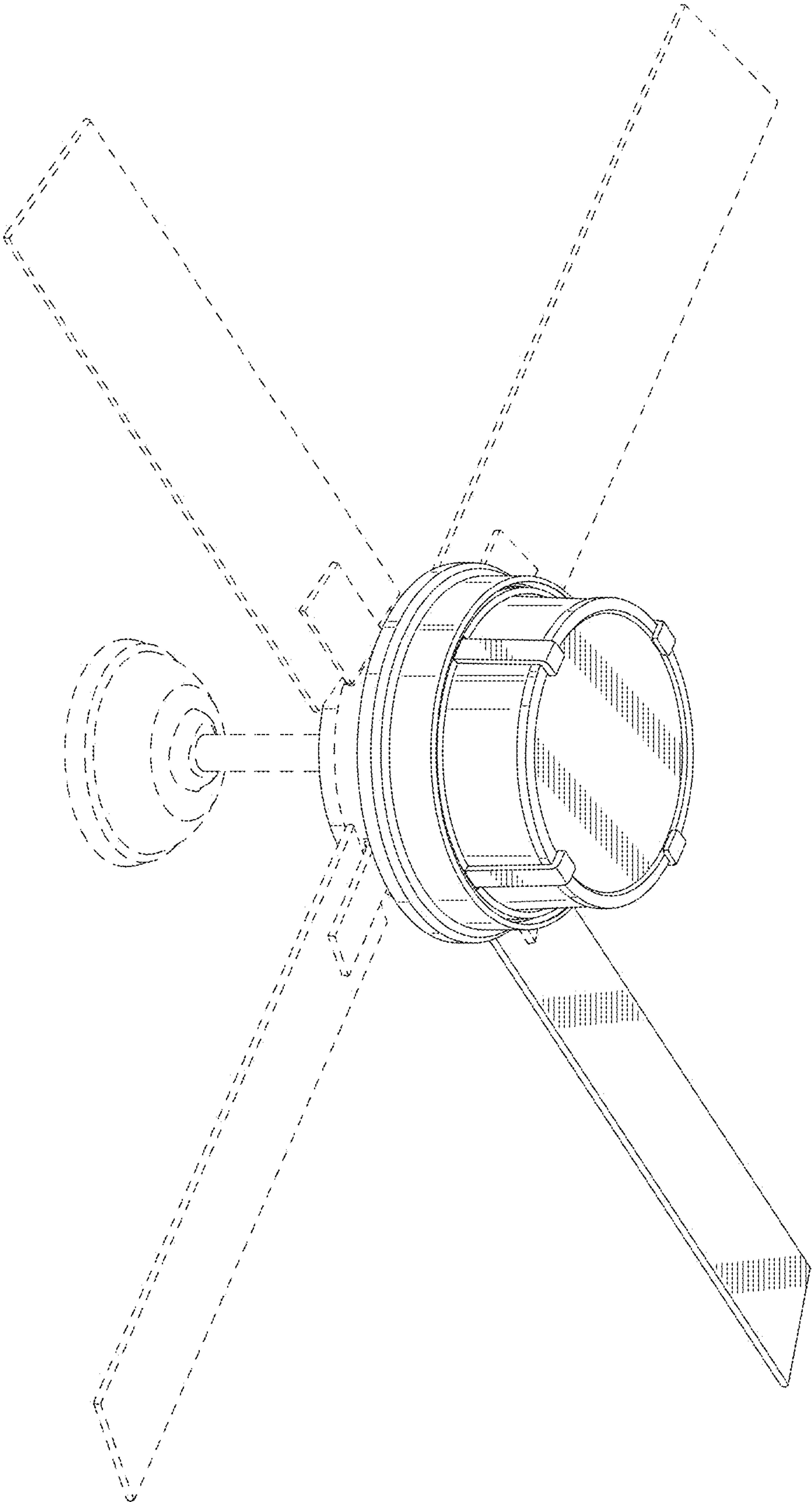


FIG.2

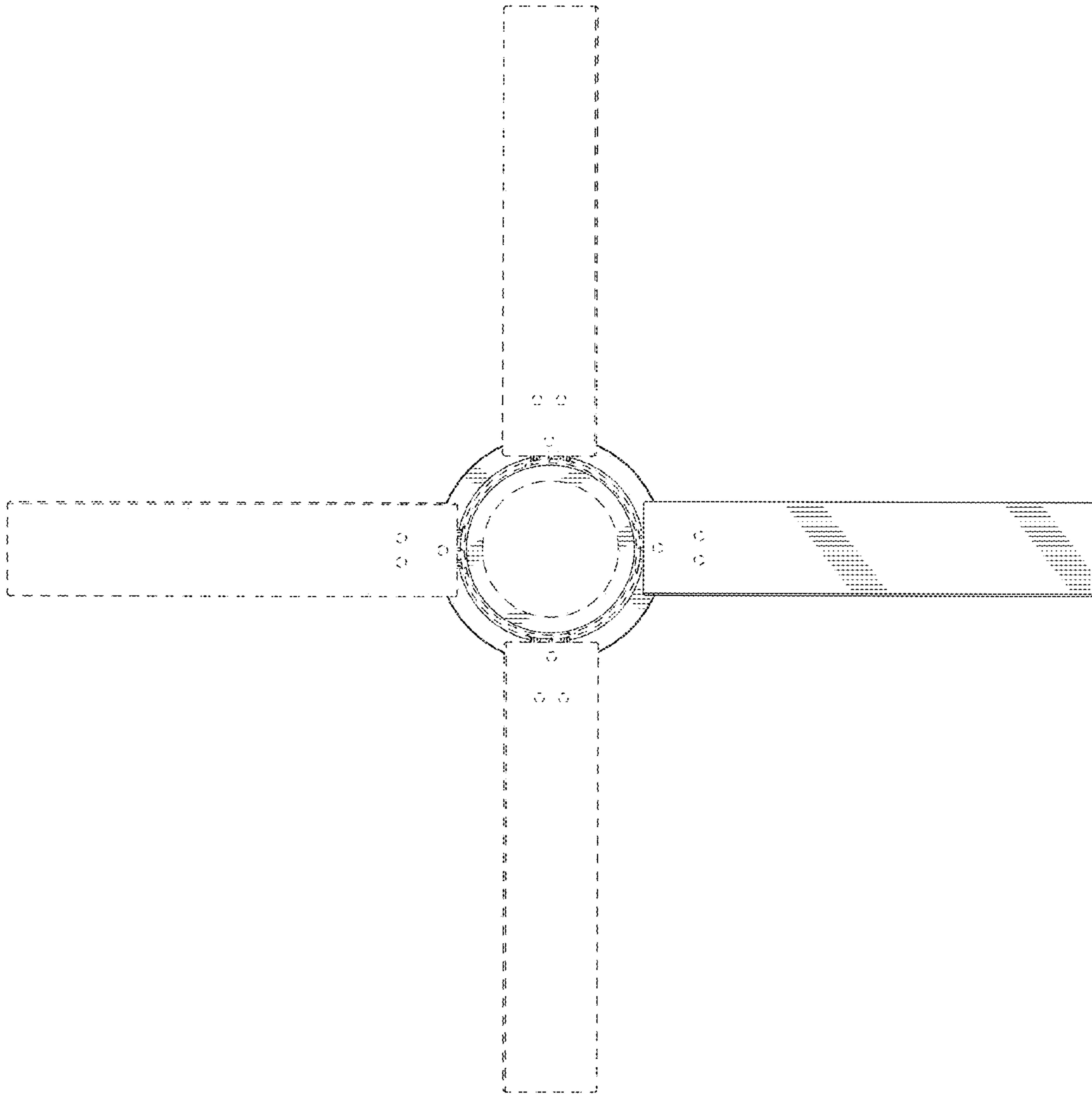


FIG.3

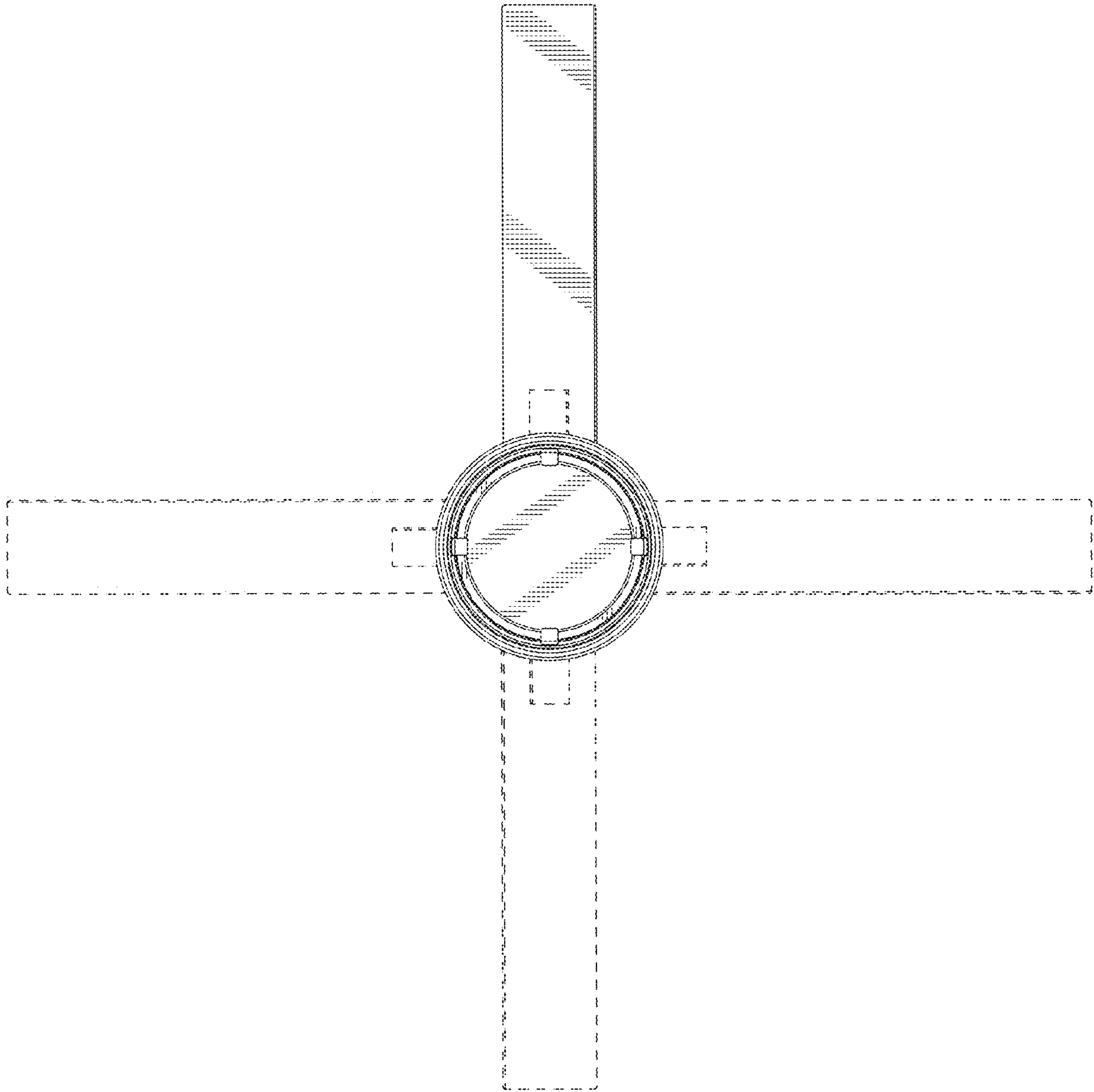


FIG.4

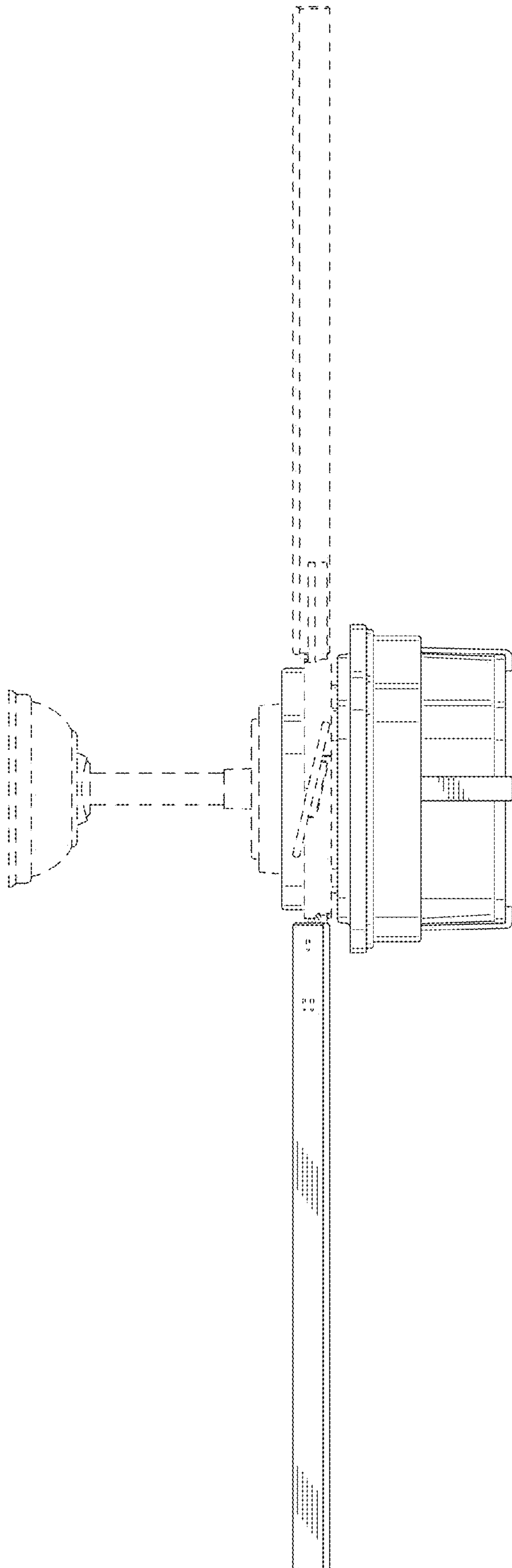


FIG.5