

US00D921178S

(12) **United States Design Patent** (10) **Patent No.:** **US D921,178 S**
Luo (45) **Date of Patent:** **** Jun. 1, 2021**

(54) **AROMATHERAPY MACHINE**
(71) Applicant: **SHENZHEN KERUIMA TECHNOLOGY CO., LTD.**, Shenzhen (CN)
(72) Inventor: **Kehan Luo**, Shenzhen (CN)
(73) Assignee: **SHENZHEN KERUIMA TECHNOLOGY CO., LTD.**, Shenzhen (CN)
(**) Term: **15 Years**
(21) Appl. No.: **29/767,161**
(22) Filed: **Jan. 21, 2021**
(51) **LOC (13) Cl.** **23-04**
(52) **U.S. Cl.**
USPC **D23/366**
(58) **Field of Classification Search**
USPC D23/209, 355, 356, 358, 359, 360, 364, D23/365, 366, 367; D99/5
CPC . A61L 9/03; A61L 9/012; A61L 9/015; A61L 9/037; F41J 1/01
See application file for complete search history.

D849,219 S * 5/2019 Liang D23/356
D865,930 S * 11/2019 Bradley D23/356
D870,872 S * 12/2019 Takano D23/356
D879,930 S * 3/2020 He D23/366
D897,514 S * 9/2020 Liu D23/356
2012/0222548 A1* 9/2012 Lev F24F 6/12 95/1

OTHER PUBLICATIONS

Green Forest Multi-Function Night Light, 7-Color LED, Aromatherapy Machine [Apr. 19, 2021] found online [Apr. 19, 2021]—https://www.amazon.com/Multi-Function-Aromatherapy-Essential-Diffuser-Atmosphere/dp/B08BZPFZQL/ref=sr_1_207?dchild=1&keywords=aromatherapy+machine&qid=1618842469&sr=8-207.*

* cited by examiner

Primary Examiner — John A Voytek

(57) **CLAIM**

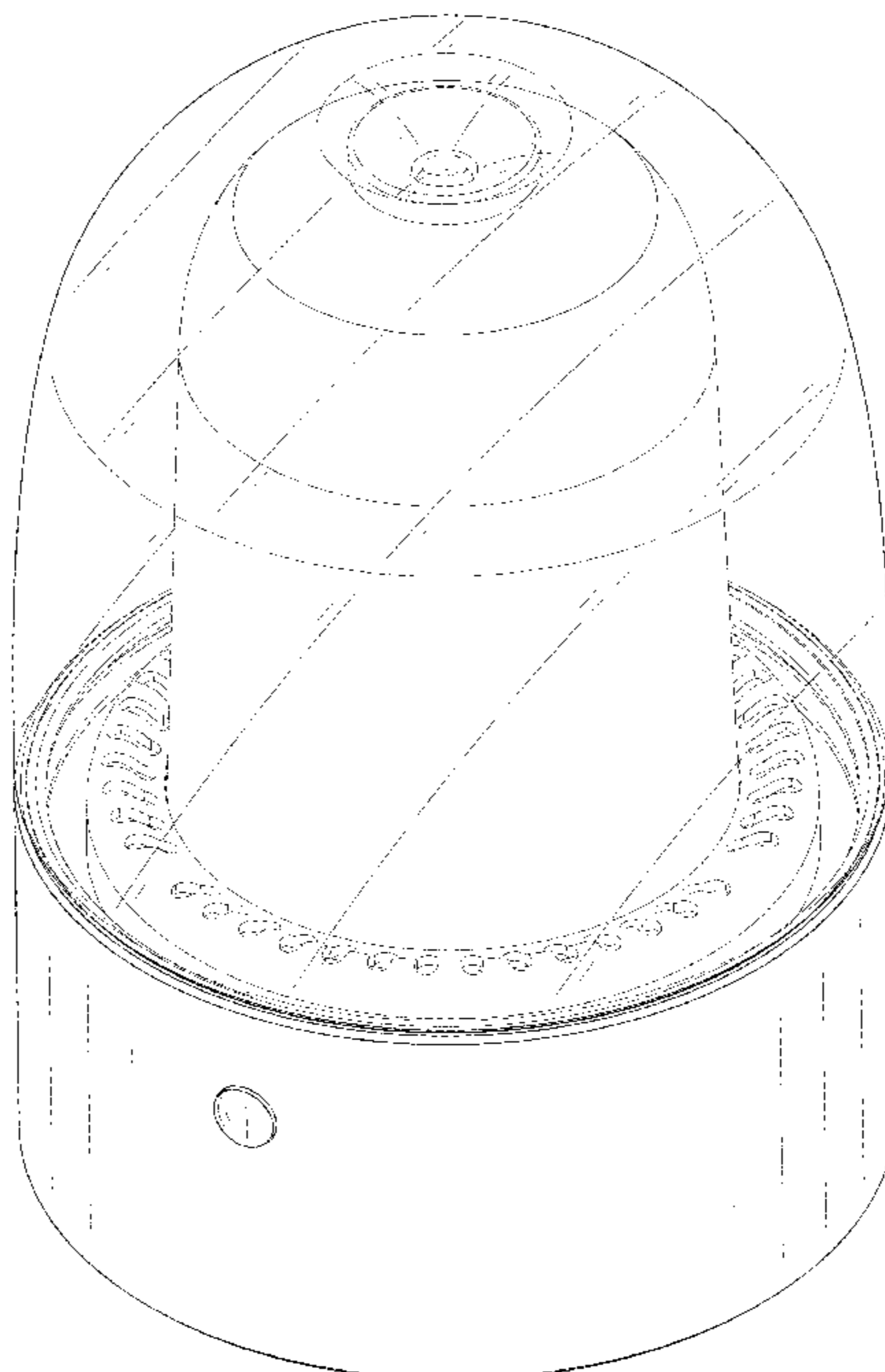
The ornamental design for an aromatherapy machine, as shown and described.

DESCRIPTION

FIG. 1 is a perspective view of an aromatherapy machine showing my new design;
FIG. 2 is another perspective view thereof;
FIG. 3 is a front elevational view thereof;
FIG. 4 is a rear elevational view thereof;
FIG. 5 is a left side elevational view thereof;
FIG. 6 is a right side elevational view thereof;
FIG. 7 is a top plan view thereof; and,
FIG. 8 is a bottom plan view thereof.
The broken lines in the drawings depict portions of the aromatherapy machine that form no part of the claimed design.

1 Claim, 8 Drawing Sheets

(56) **References Cited**
U.S. PATENT DOCUMENTS
D330,757 S * 11/1992 DeLaney D23/364
D612,924 S * 3/2010 Jorgensen D23/366
D800,886 S * 10/2017 Lin D23/366
D803,373 S * 11/2017 Chou D23/366
D810,262 S 2/2018 Lu
D820,965 S * 6/2018 Li D23/366
D828,527 S * 9/2018 Xu D23/356
D832,415 S * 10/2018 Lu D23/366
D845,460 S 4/2019 Li



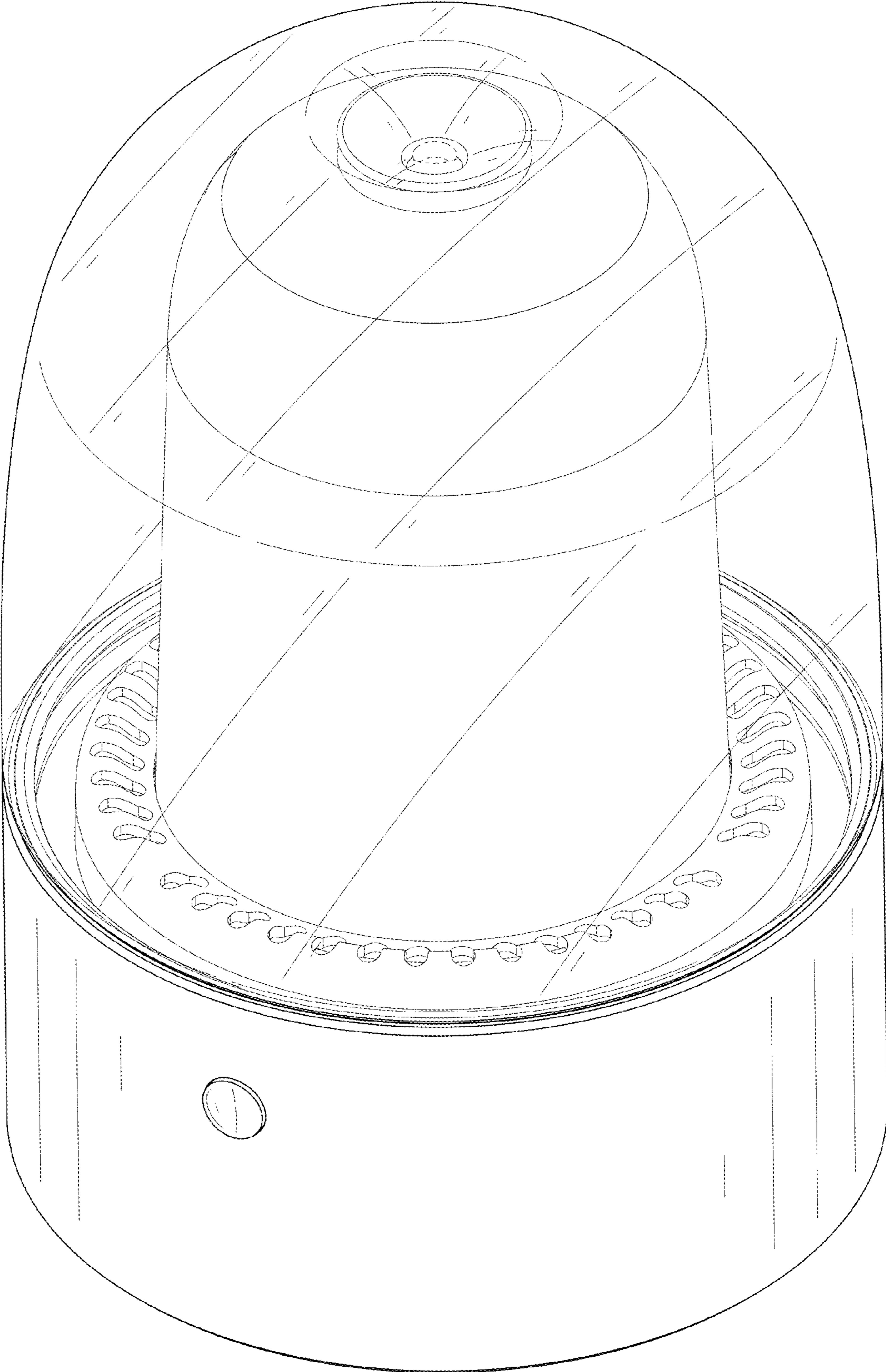


FIG. 1

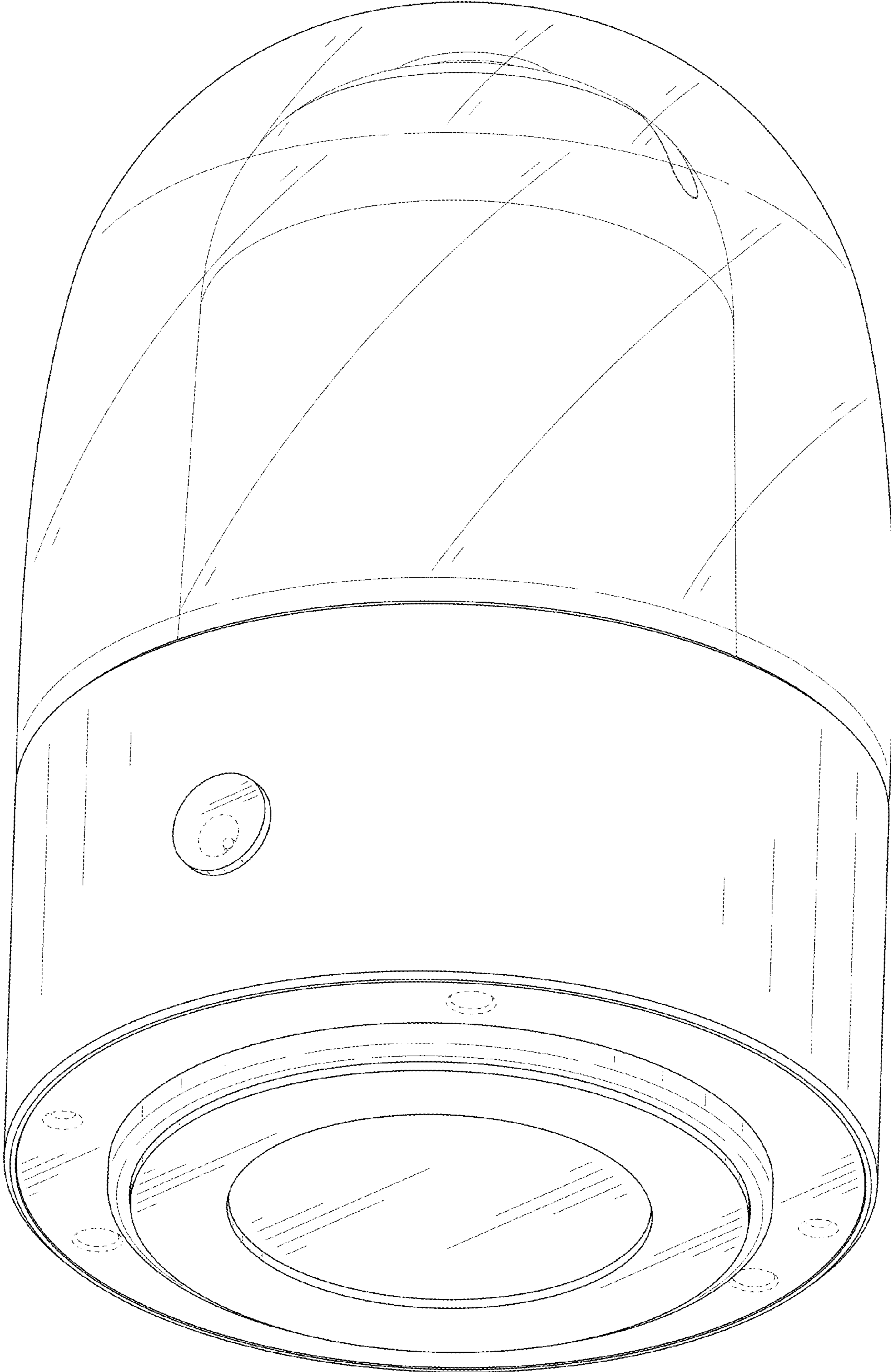


FIG. 2

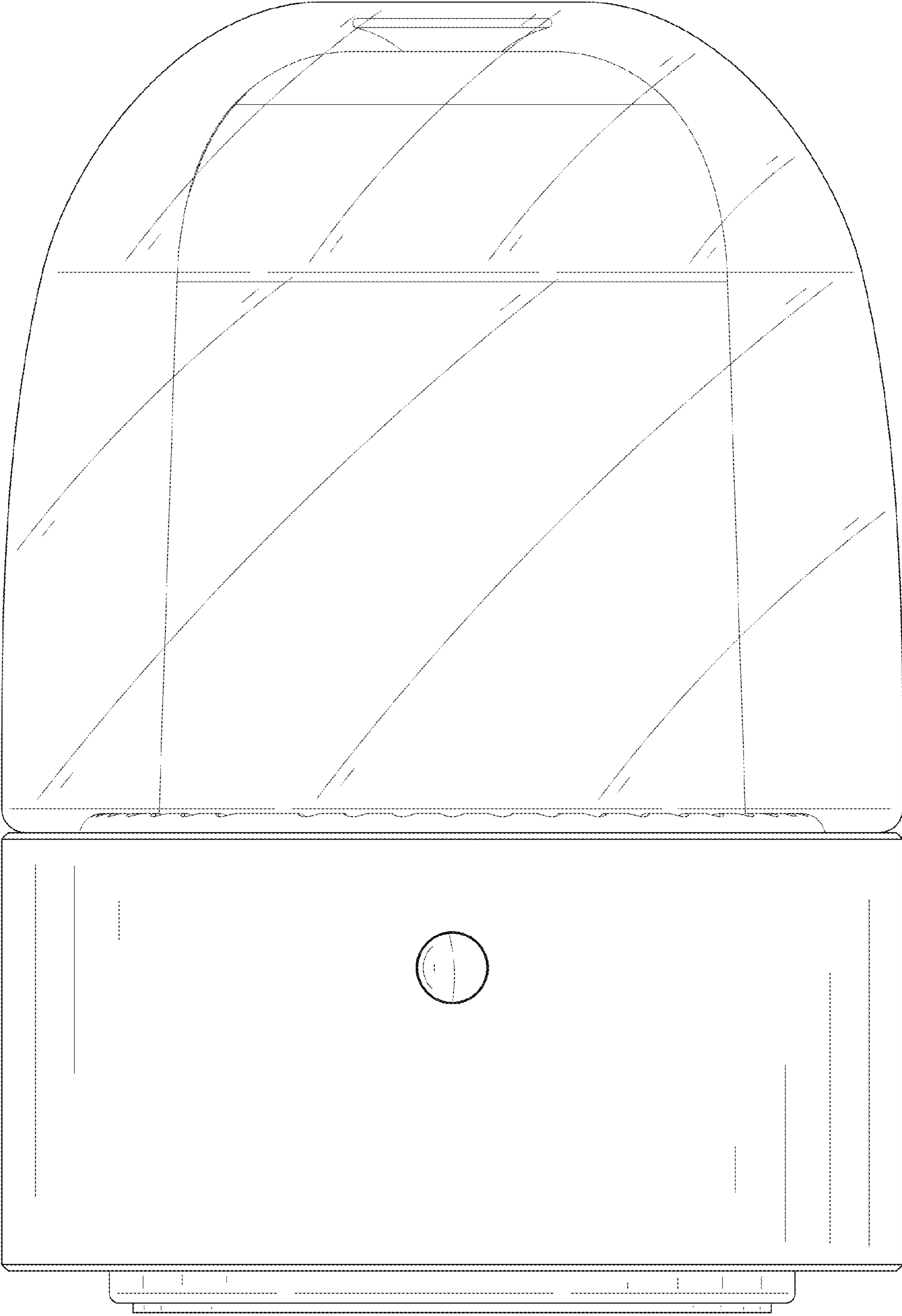


FIG. 3

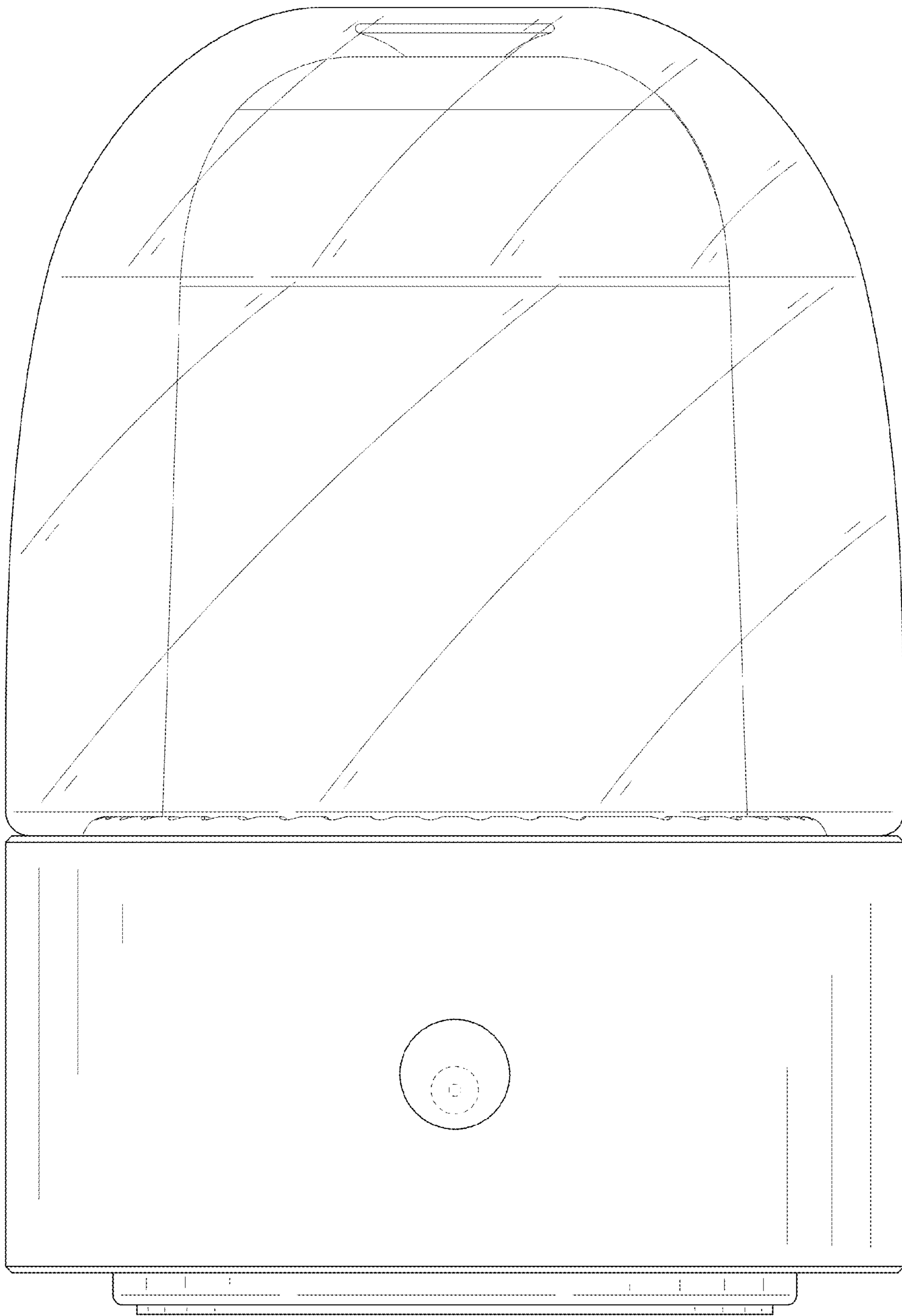


FIG. 4

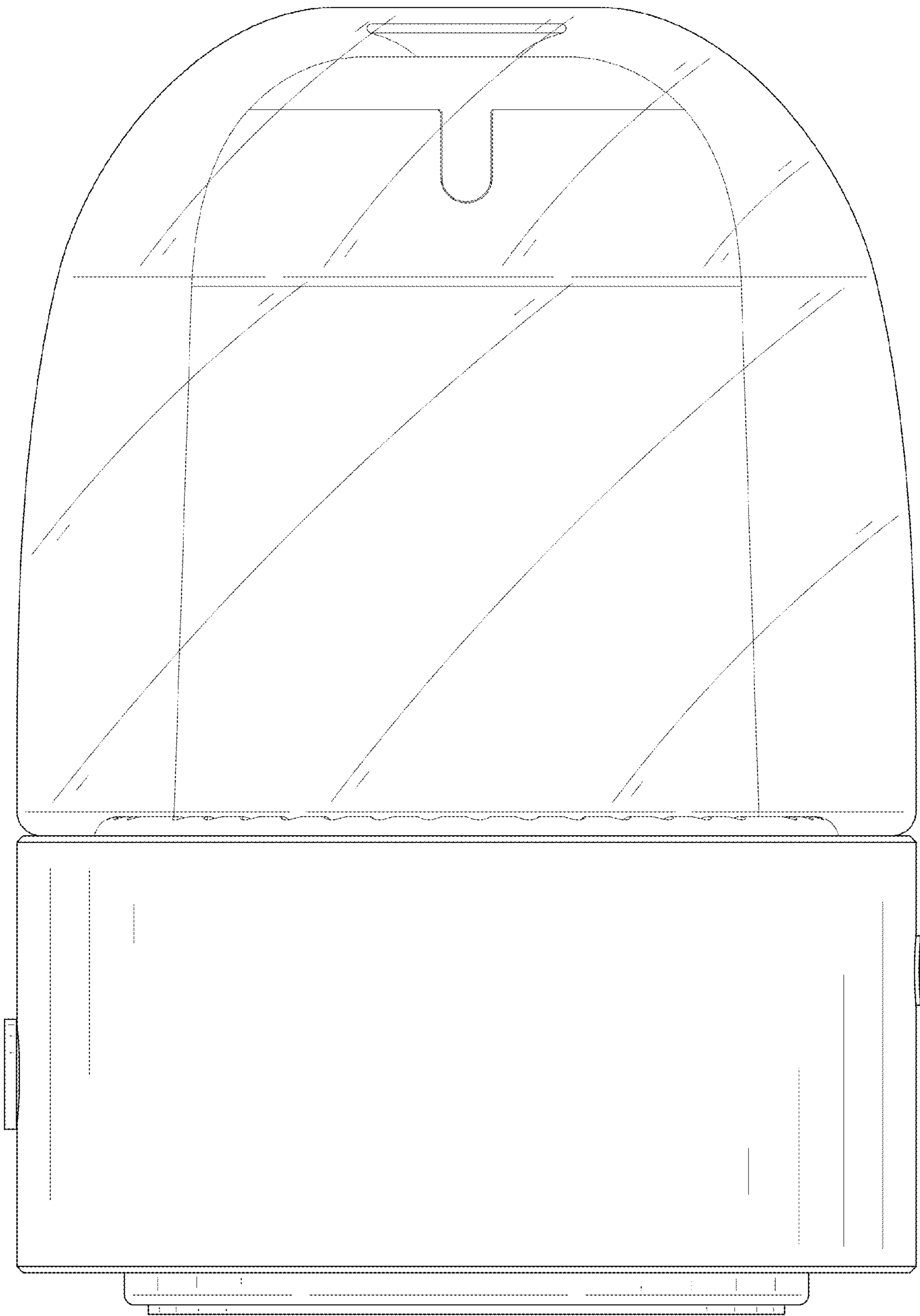


FIG. 5

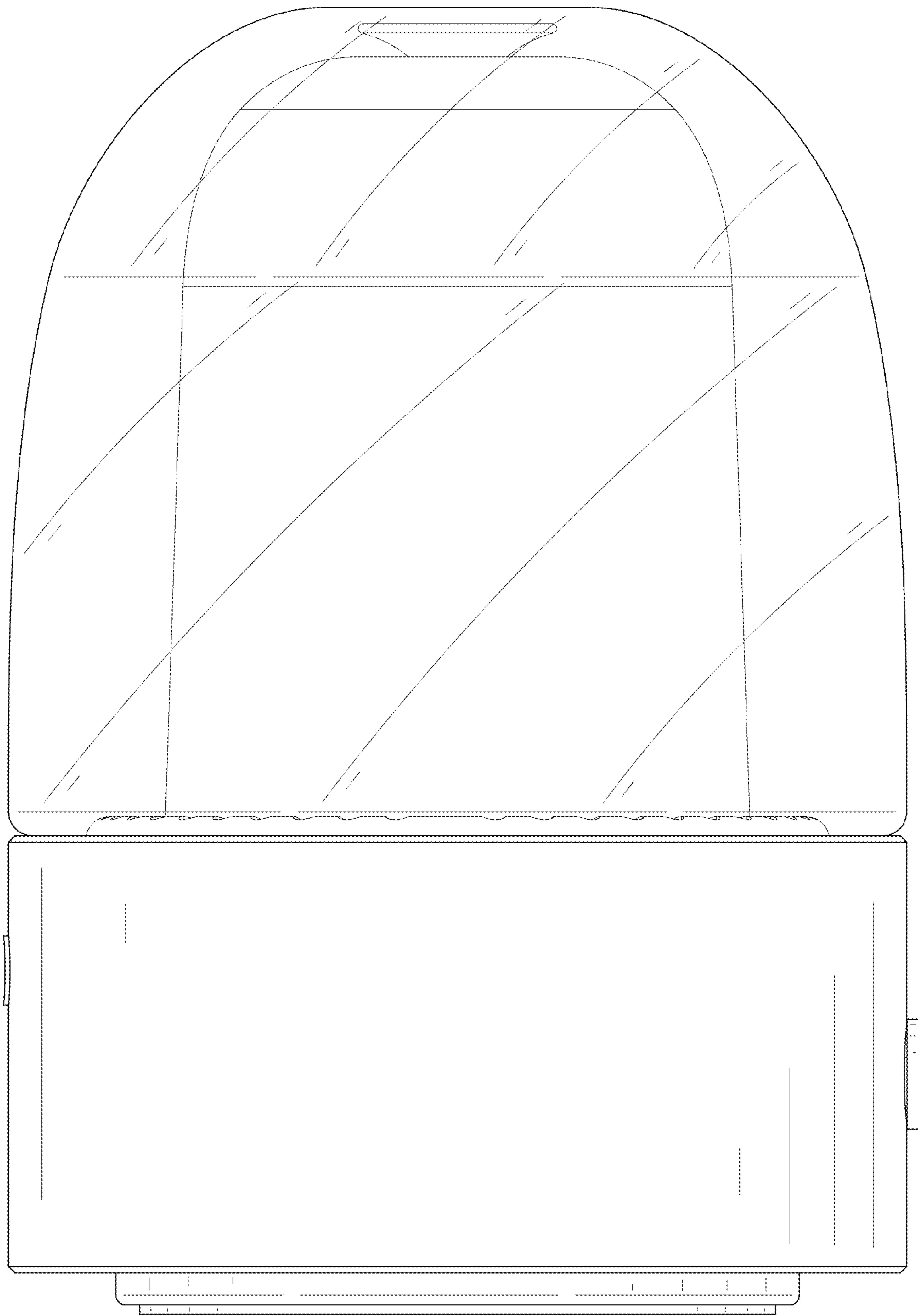


FIG. 6

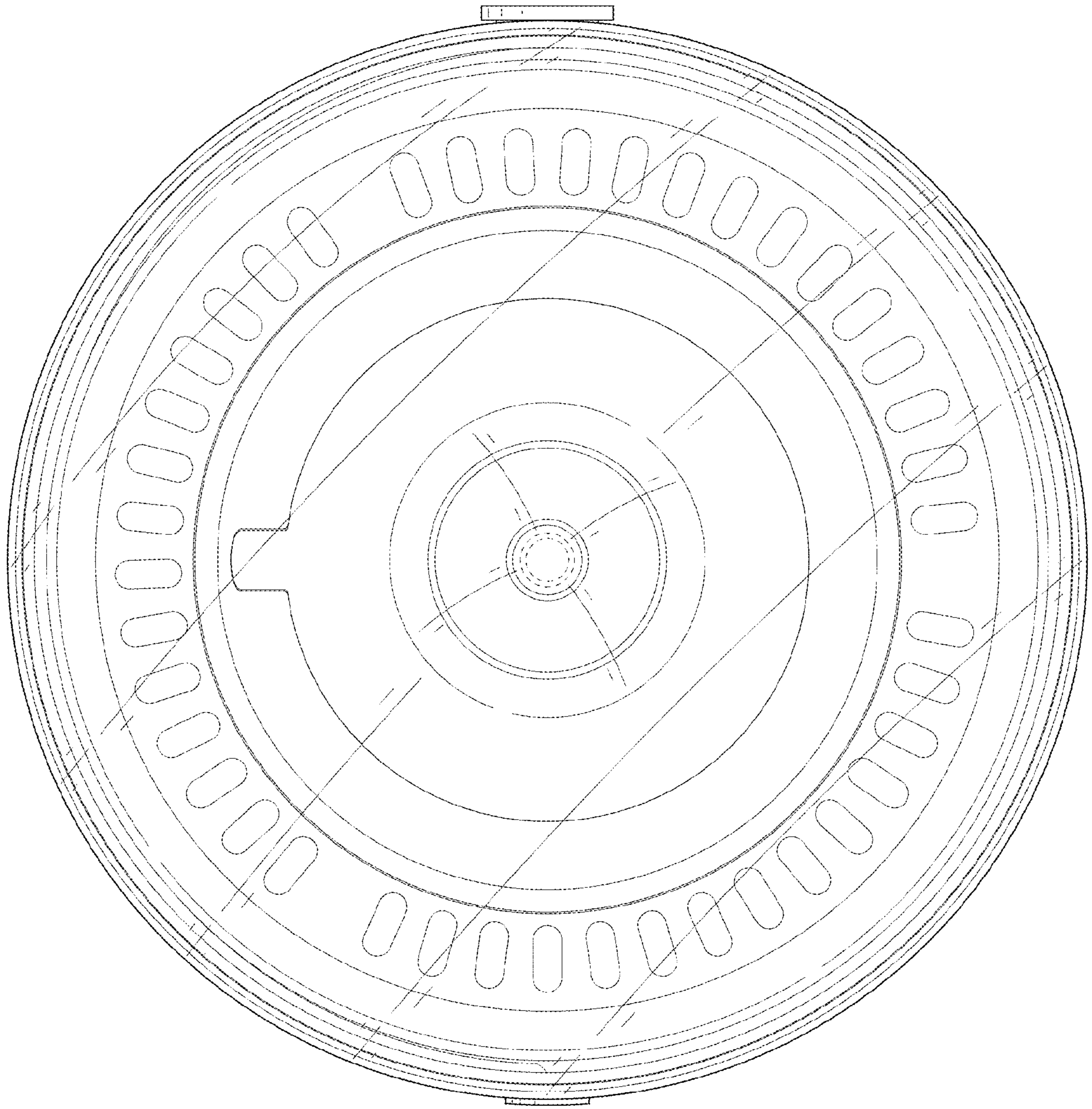


FIG. 7

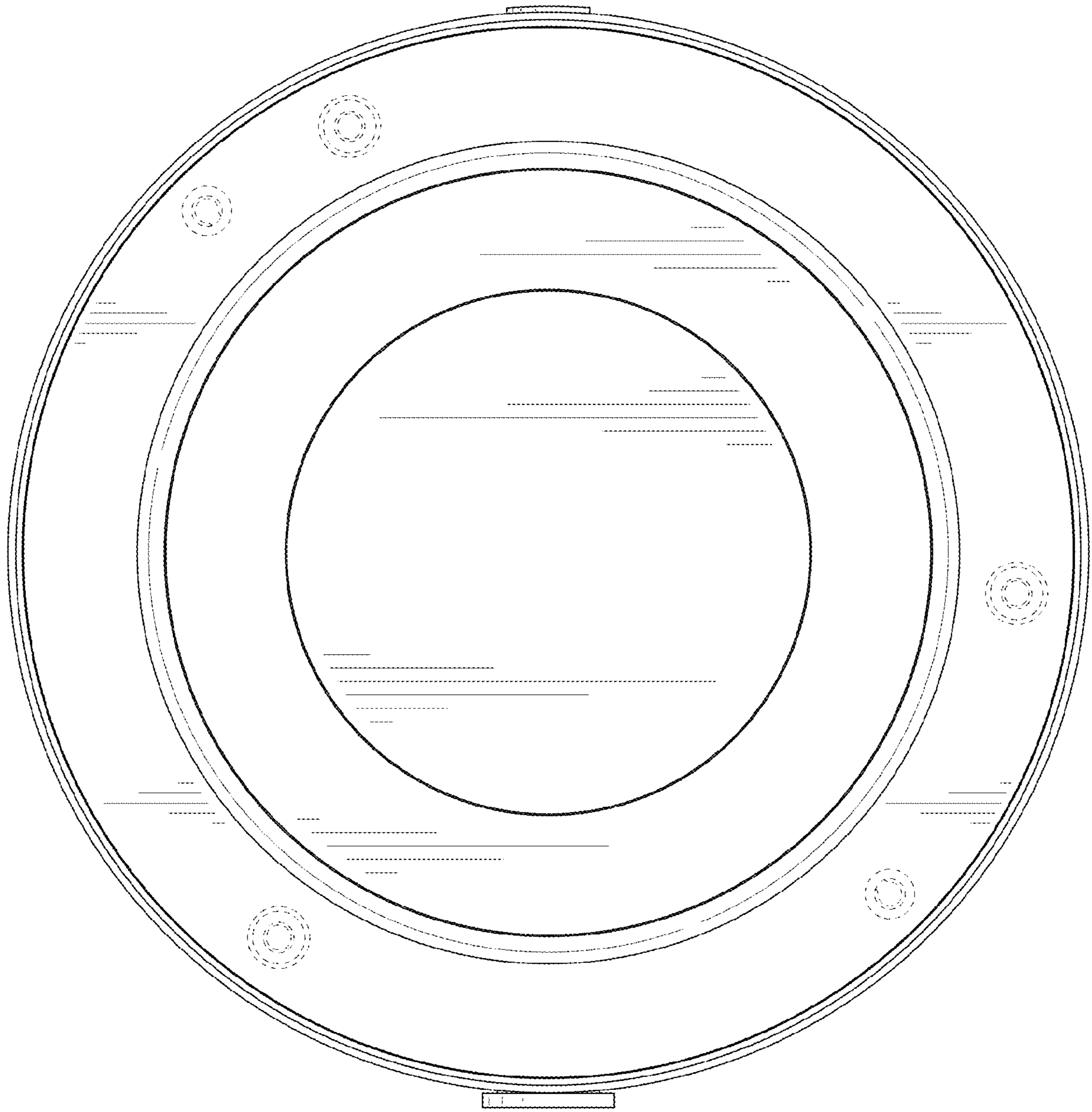


FIG. 8