



US00D921176S

(12) **United States Design Patent** (10) **Patent No.:** **US D921,176 S**
Hauville et al. (45) **Date of Patent:** **** Jun. 1, 2021**

(54) **FILTER**
(71) Applicant: **FIPAK Research And Development Company, Rowley, MA (US)**
(72) Inventors: **Stephane Hauville, Rowley, MA (US); Antoine Hauville, La Londe (FR); Cédric Herry, Val de Reuil (FR)**

D483,844 S 12/2003 Yamamoto et al.
D486,485 S 2/2004 Dodson
D502,254 S 2/2005 Smith et al.
D534,262 S 12/2006 Rho
D548,826 S * 8/2007 Katta D23/364
D558,317 S 12/2007 Francisquini
7,462,220 B2 12/2008 Farmer
D605,274 S * 12/2009 Kawano D23/365
D605,275 S * 12/2009 Kawano D23/365
(Continued)

(**) Term: **15 Years**

FOREIGN PATENT DOCUMENTS

(21) Appl. No.: **29/694,086**

EP 2 199 695 6/2010
WO WO 2012/167280 12/2012

(22) Filed: **Jun. 7, 2019**

(51) **LOC (13) Cl.** **23-04**

Primary Examiner — John A Voytek

(52) **U.S. Cl.**
USPC **D23/365**

(74) *Attorney, Agent, or Firm* — Pandiscio & Pandiscio

(58) **Field of Classification Search**
USPC D23/209, 235, 341, 358, 363–365;
D15/5; D7/368, 669; D24/122
CPC F02M 35/04; F02M 35/10; F02M 35/024;
B01D 46/0002; B01D 46/10
See application file for complete search history.

(57) **CLAIM**

The ornamental design for a filter, as shown and described.

DESCRIPTION

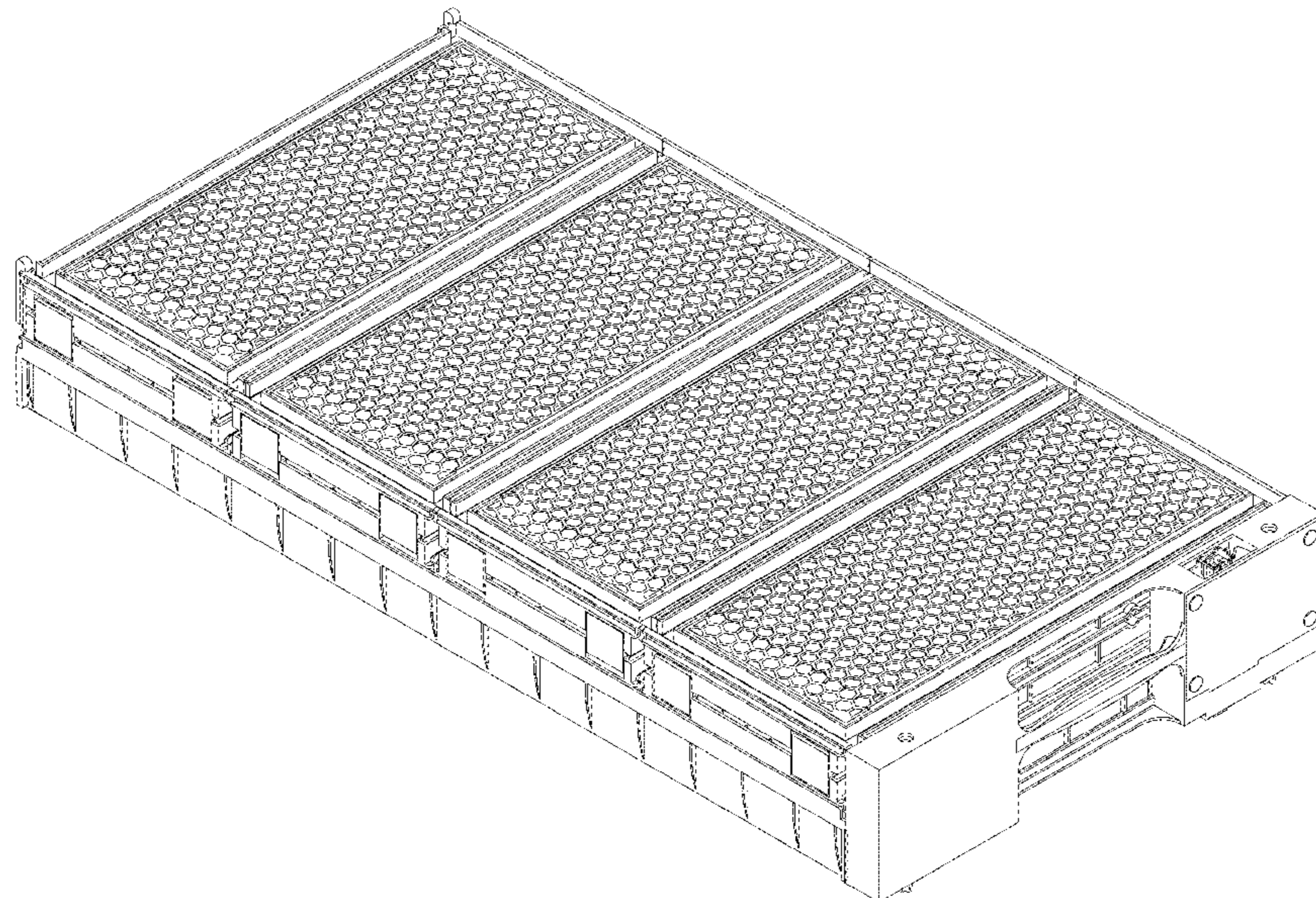
(56) **References Cited**

U.S. PATENT DOCUMENTS

2,243,916 A 6/1941 Mueller
D159,487 S 8/1950 Jaye
D211,790 S 7/1968 Murray
D285,830 S 9/1986 Daily et al.
D288,519 S 3/1987 Taylor
D325,254 S 4/1992 Ruuskanen
5,443,625 A 8/1995 Schaffhausen
D373,348 S 9/1996 Carlson
D383,881 S * 9/1997 Gudmundsson D32/30
D396,097 S 7/1998 Thomas et al.
D402,361 S 12/1998 Nepsund et al.
6,284,011 B1 9/2001 Chiang et al.
6,321,034 B2 11/2001 Jones-Lawlor et al.
D453,822 S 2/2002 Meeks et al.
6,428,592 B1 8/2002 Chase et al.
6,494,199 B1 12/2002 Zia et al.

FIG. 1 is a top perspective view of the filter;
FIG. 2 is a top view of the filter, taken from the frame of reference of FIG. 1;
FIG. 3 is a bottom view of the filter, taken from the frame of reference of FIG. 1;
FIG. 4 is a side view, in elevation, of the left side of the filter, taken from the frame of reference of FIG. 1;
FIG. 5 is a side view, in elevation, of the right side of the filter, taken from the frame of reference of FIG. 1;
FIG. 6 is a front view of the filter, taken from the frame of reference of FIG. 1;
FIG. 7 is a rear view of the filter, taken from the frame of reference of FIG. 1; and,
FIG. 8 is a bottom perspective view of the filter.
The broken lines are included for the purpose of illustrating unclaimed portions of the filter and form no part of the claimed design.

1 Claim, 8 Drawing Sheets



(56)

References Cited

U.S. PATENT DOCUMENTS

7,749,303	B2	7/2010	Wright	
D636,857	S	4/2011	Jacques et al.	
D638,529	S	5/2011	Gedcke et al.	
D638,857	S	5/2011	Garrison et al.	
D645,130	S	9/2011	Goldstein et al.	
8,021,455	B2 *	9/2011	Adamek	B01D 39/163 55/486
D653,320	S	1/2012	Watanabe et al.	
D661,696	S	6/2012	Takada	
D680,636	S	4/2013	Ching	
D689,995	S	9/2013	Dios	
D725,254	S *	3/2015	Roblin	D23/365
D725,760	S *	3/2015	Nakagawa	D23/365
8,986,427	B2	3/2015	Hauville et al.	
D741,463	S *	10/2015	Hauville	D23/355
D754,315	S *	4/2016	Morin	D23/365
D778,419	S *	2/2017	Poindexter	D23/365
D831,157	S *	10/2018	Kronk	D23/209
D878,533	S *	3/2020	Gabriel	D23/365
2001/0049927	A1	12/2001	Toepel	
2004/0194441	A1 *	10/2004	Kirsch	B01D 46/521 55/497
2006/0053759	A1 *	3/2006	Winters	B01D 46/0016 55/497
2009/0044703	A1	2/2009	Bias et al.	
2009/0075582	A1	3/2009	Wilkerson	
2009/0311951	A1	12/2009	Walkinshaw	
2010/0294134	A1	11/2010	Yokomizo et al.	
2012/0087087	A1	4/2012	Nicolai et al.	
2012/0151889	A1 *	6/2012	Horey	B01D 46/10 55/467
2015/0177721	A1 *	6/2015	Hauville	F24F 3/16 700/66

* cited by examiner

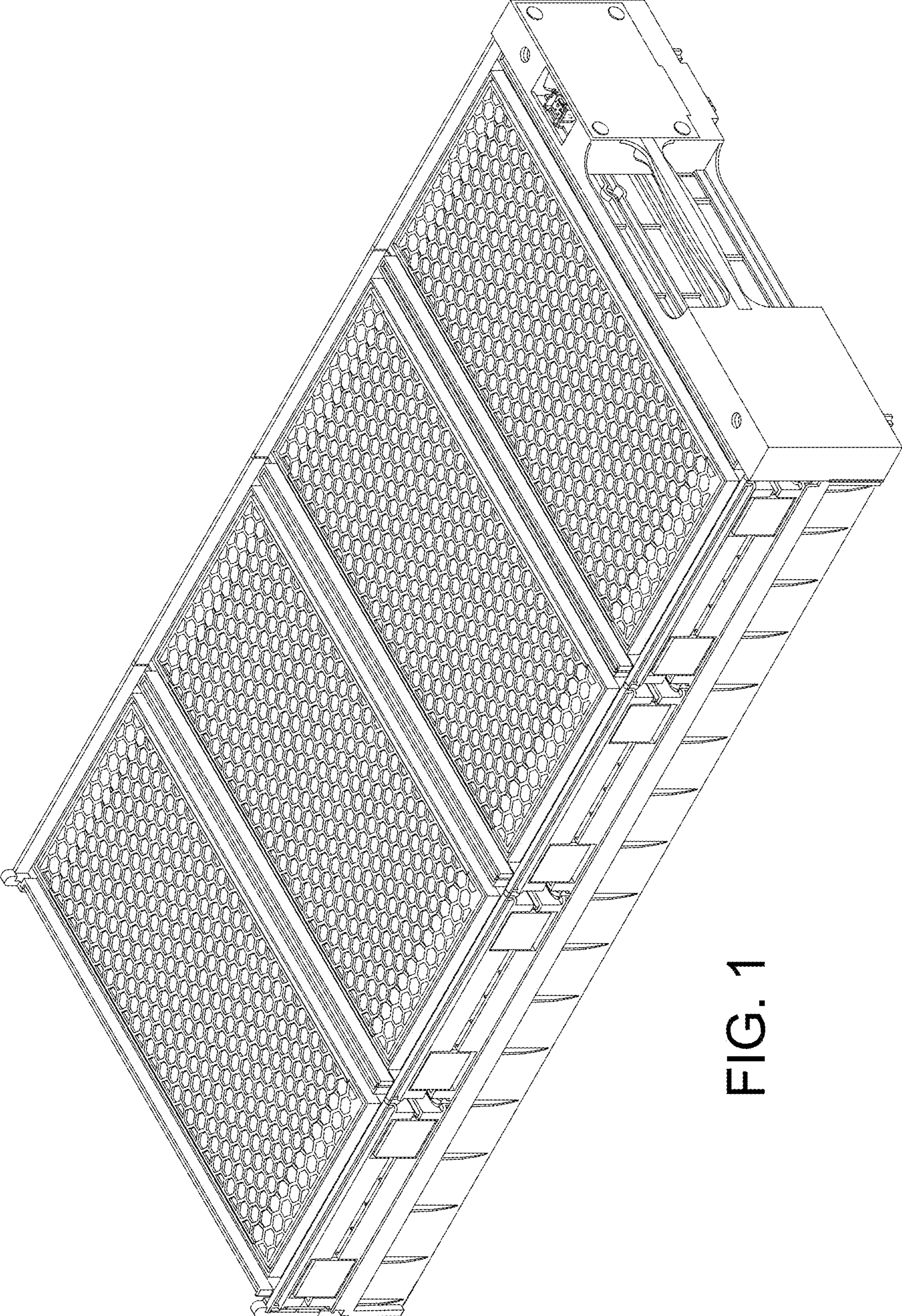


FIG. 1

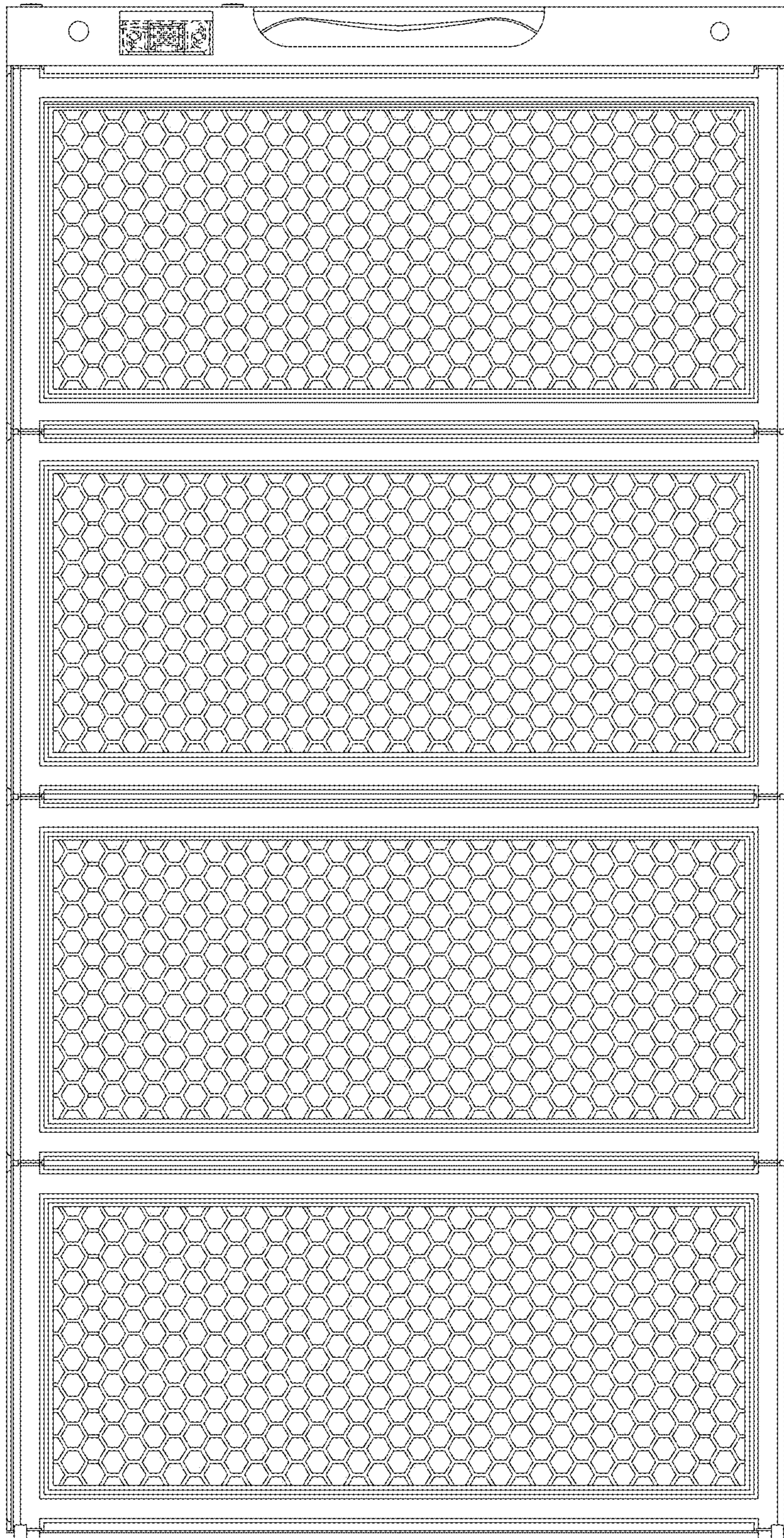


FIG. 2

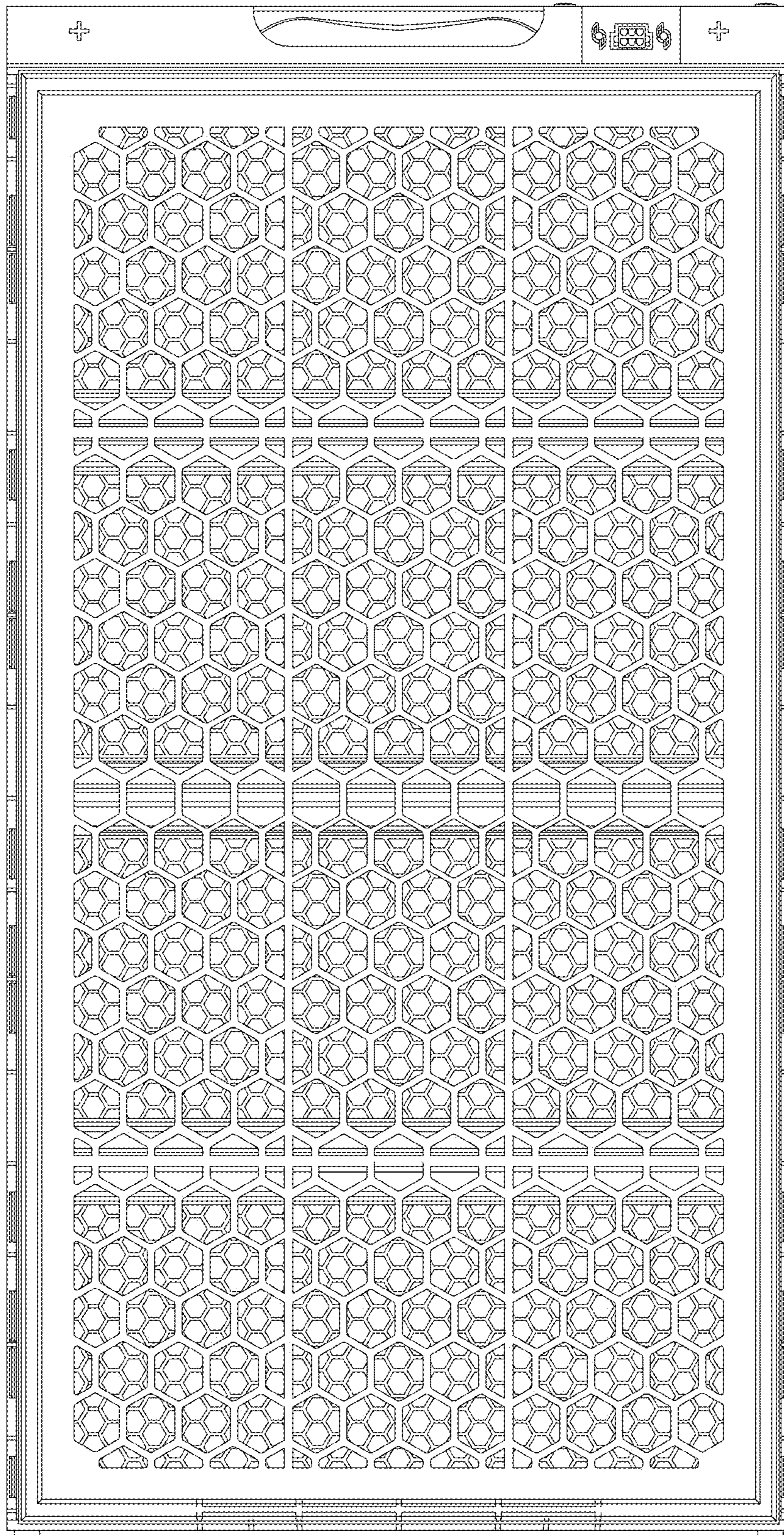


FIG. 3

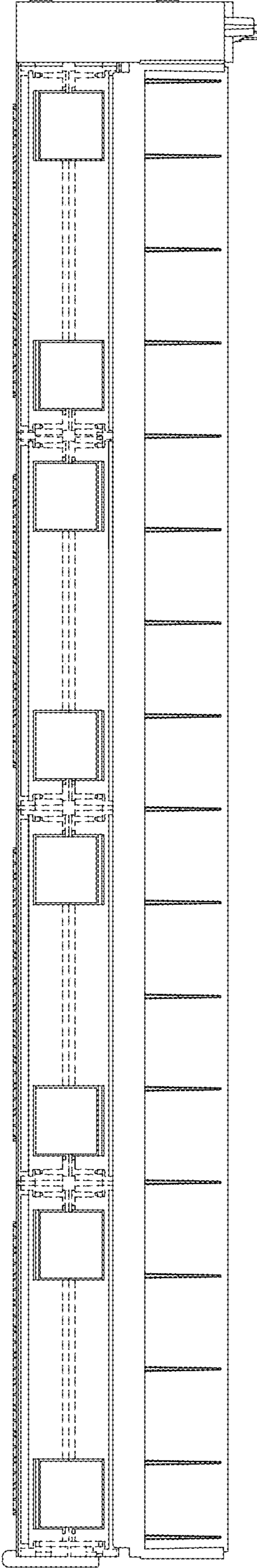


FIG. 4

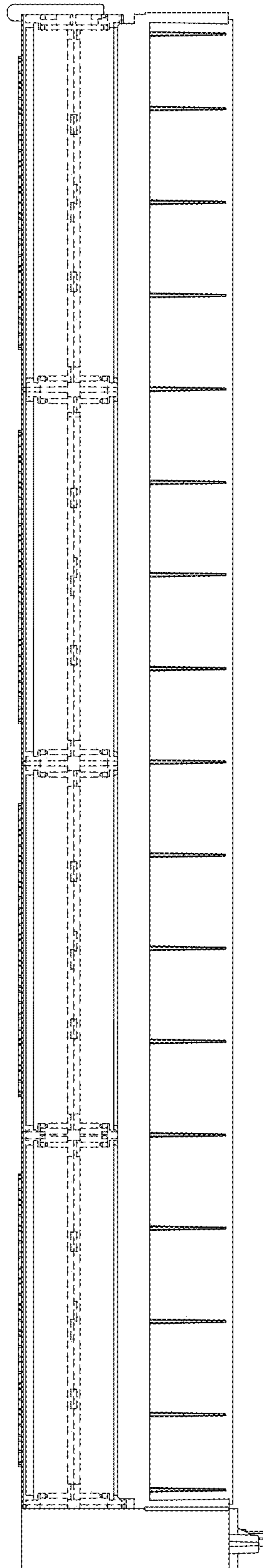


FIG. 5

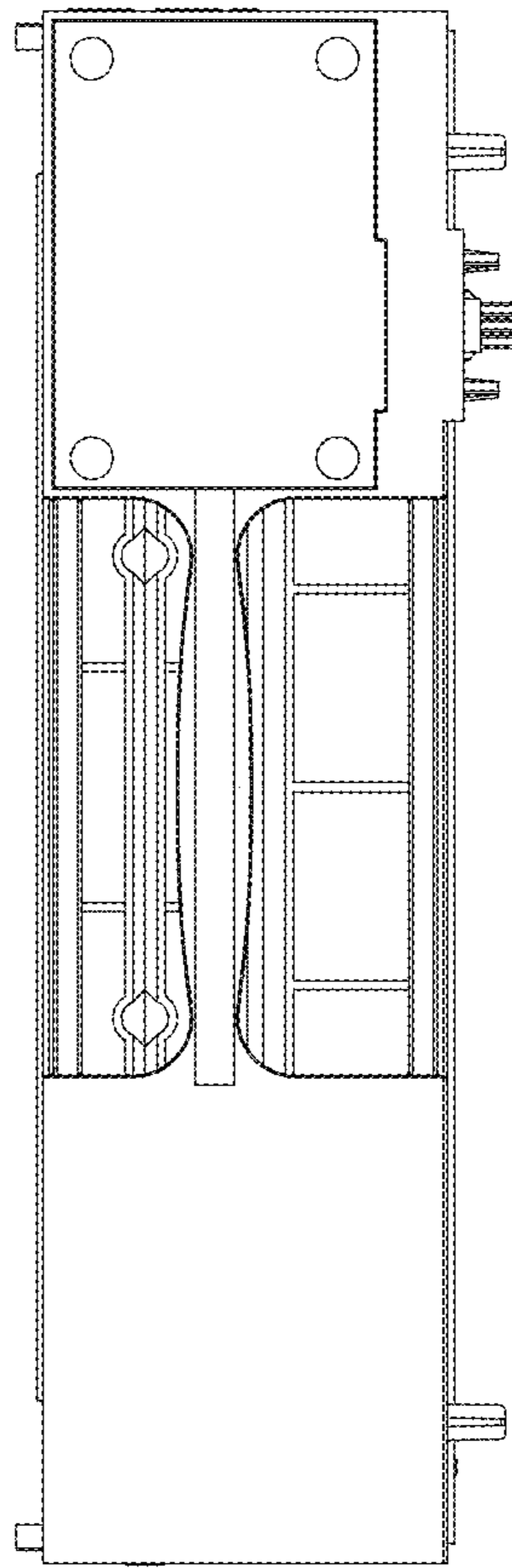


FIG. 6

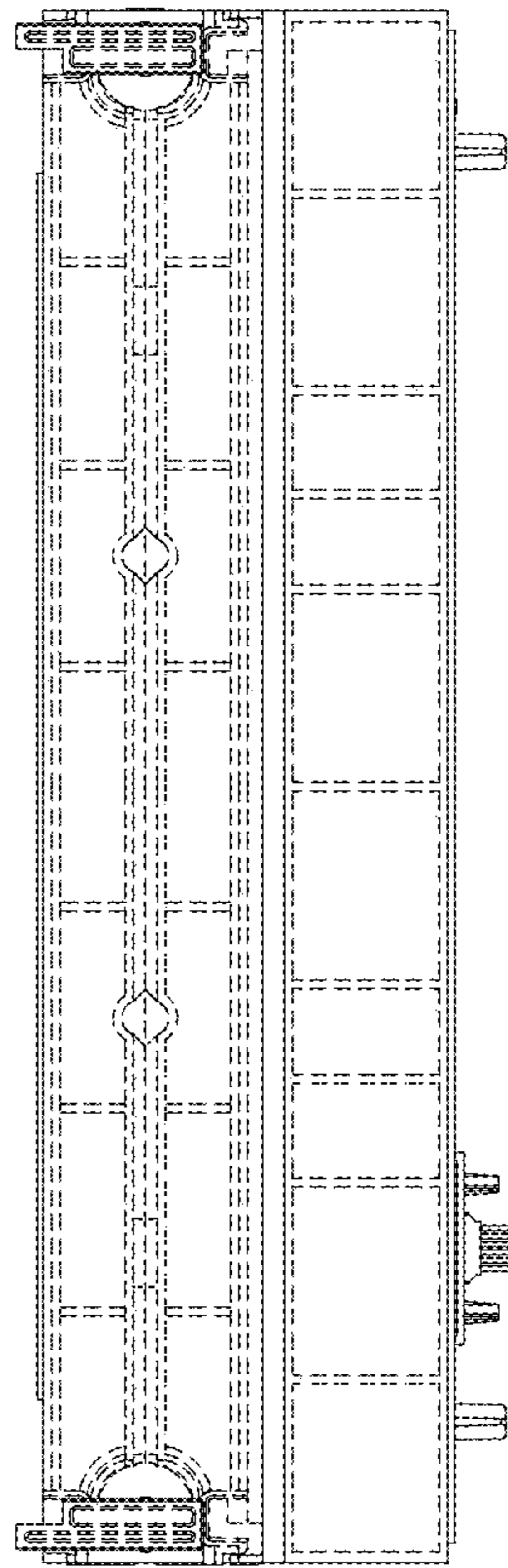


FIG. 7

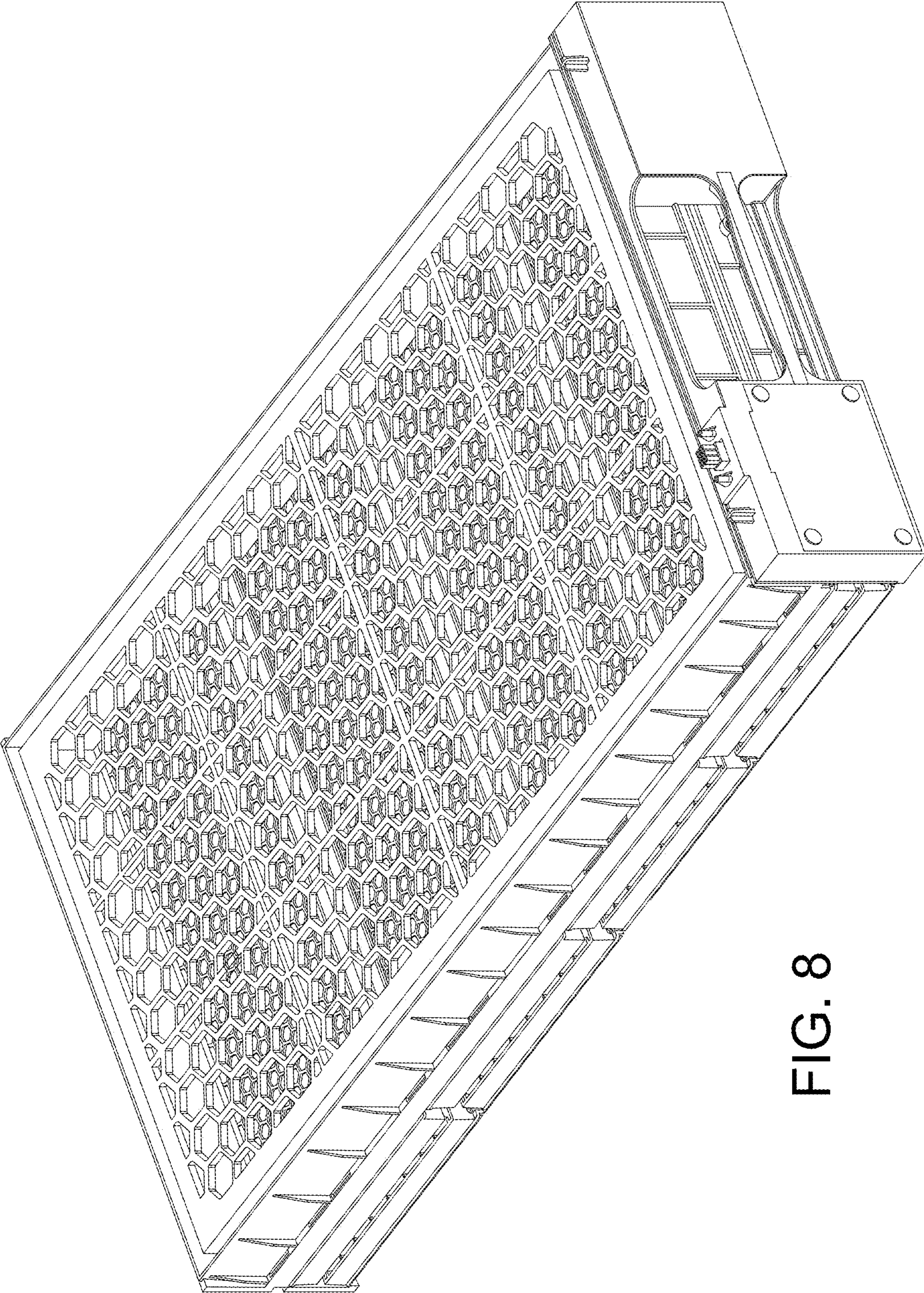


FIG. 8