



US00D921170S

(12) **United States Design Patent** (10) **Patent No.:** **US D921,170 S**
Stager (45) **Date of Patent:** **** Jun. 1, 2021**

(54) **VALVE DEVICE** 6,959,727 B2 * 11/2005 Krishnamoorthy B60K 15/04
137/151
(71) Applicant: **RELIANCE WORLDWIDE** D700,682 S * 3/2014 Bayyouk D23/233
CORPORATION (AUST.) PTY. LTD., D748,228 S * 1/2016 Bayyouk D23/269
Eagle Farm (AU) D754,817 S * 4/2016 Dille D23/233
D796,632 S * 9/2017 Bayyouk D23/233
(72) Inventor: **Stephanie Stager**, Eagle Farm (AU) D802,104 S * 11/2017 Nagahamaya D23/269
10,344,757 B1 * 7/2019 Stark F16K 25/005
(73) Assignee: **Reliance Worldwide Corporation** 2006/0202150 A1 * 9/2006 Johnson F16K 47/06
(Aust.) Pty. Ltd., Queensland (AU) 251/336
2014/0264133 A1 * 9/2014 Johnson F16K 15/06
251/356

(**) Term: **15 Years**

* cited by examiner

(21) Appl. No.: **29/716,754**

Primary Examiner — Gino Colan

(22) Filed: **Dec. 11, 2019**

(74) Attorney, Agent, or Firm — Foley & Lardner LLP

(30) **Foreign Application Priority Data**

(57) **CLAIM**

Jun. 12, 2019 (AU) 201913264

I claim the ornamental design for a valve device, as shown and described.

(51) **LOC (13) Cl.** **23-01**

(52) **U.S. Cl.**
USPC **D23/269**

DESCRIPTION

(58) **Field of Classification Search**
USPC D23/233–237, 241–249, 269; 251/336,
251/356

FIG. 1 is a front view of a valve device;
FIG. 2 is a rear view thereof;
FIG. 3 is left side view thereof;
FIG. 4 is a right side view thereof;
FIG. 5 is a top view thereof;
FIG. 6 is a bottom view thereof; and,
FIG. 7 is a perspective view thereof.

CPC F16K 17/00; F16K 1/42; F16K 25/005;
F16K 3/0227; F16K 47/06

See application file for complete search history.

(56) **References Cited**

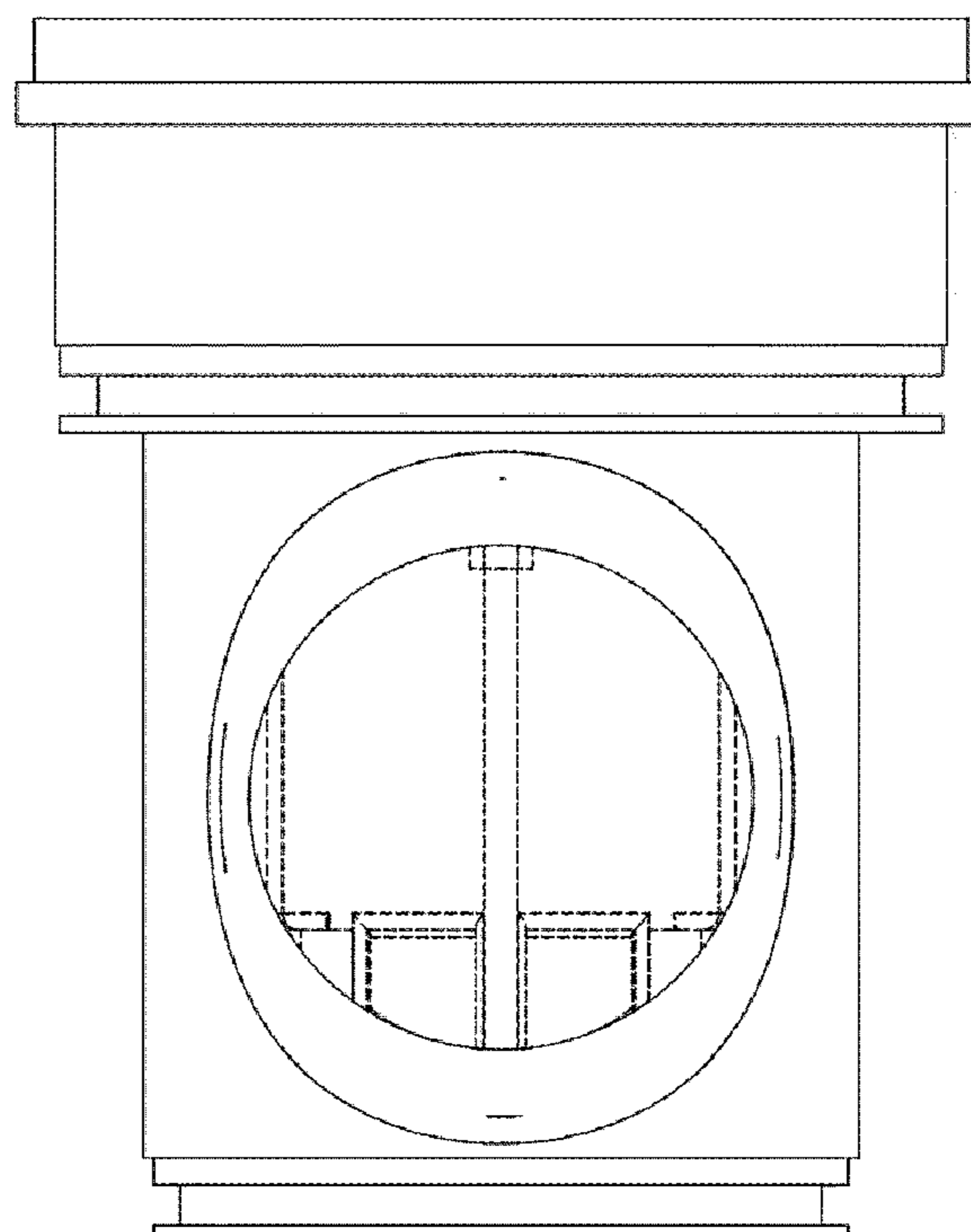
The ornamental design which is claimed is shown in solid lines in the drawings. The broken lines shown in the figures are for the purpose of illustrating portions of the valve device and form no part of the claimed design.

U.S. PATENT DOCUMENTS

4,076,212 A * 2/1978 Leman F16K 1/46
137/516.29

5,826,856 A * 10/1998 Ruckert F16K 41/10
251/335.3

1 Claim, 7 Drawing Sheets



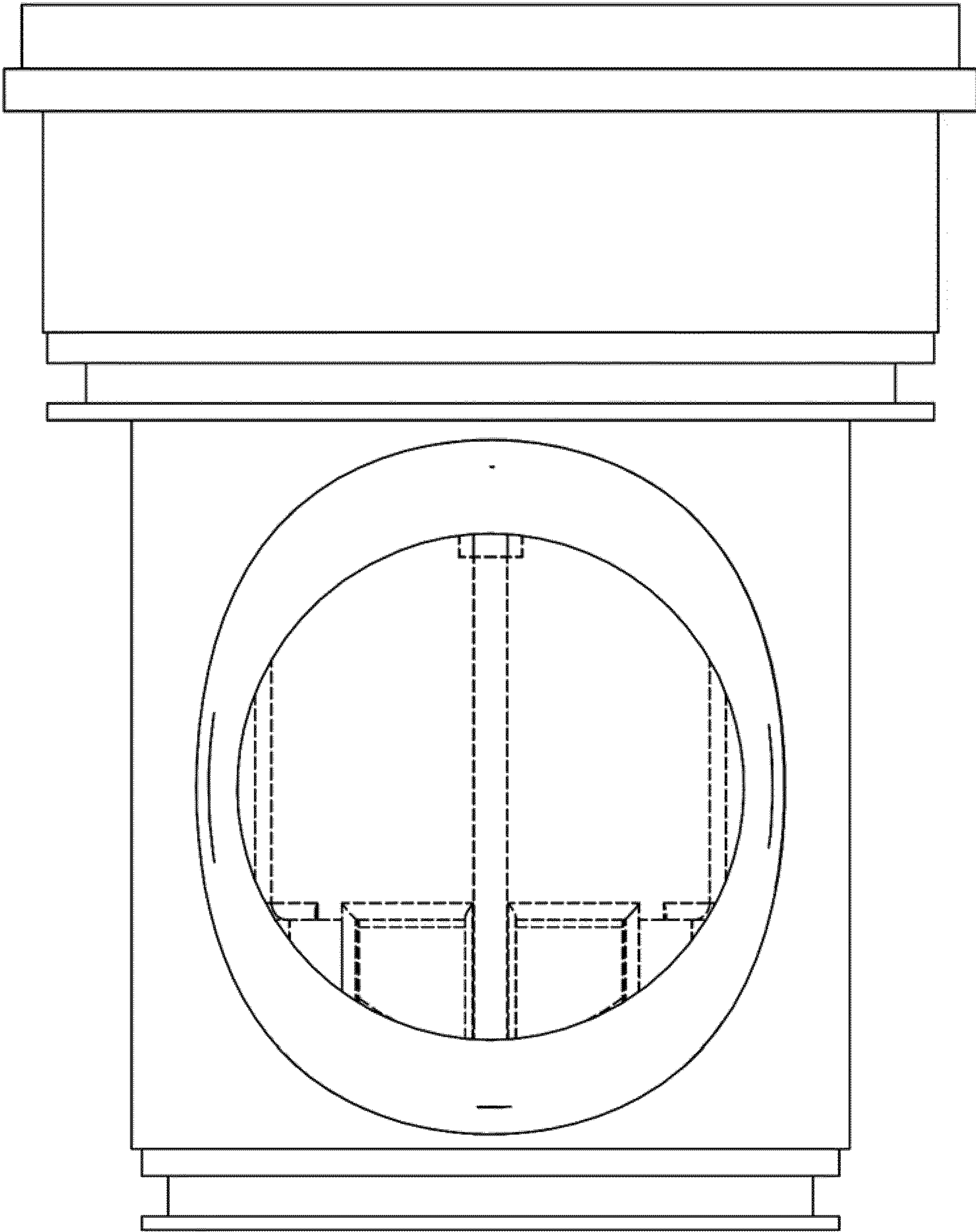


FIG. 1

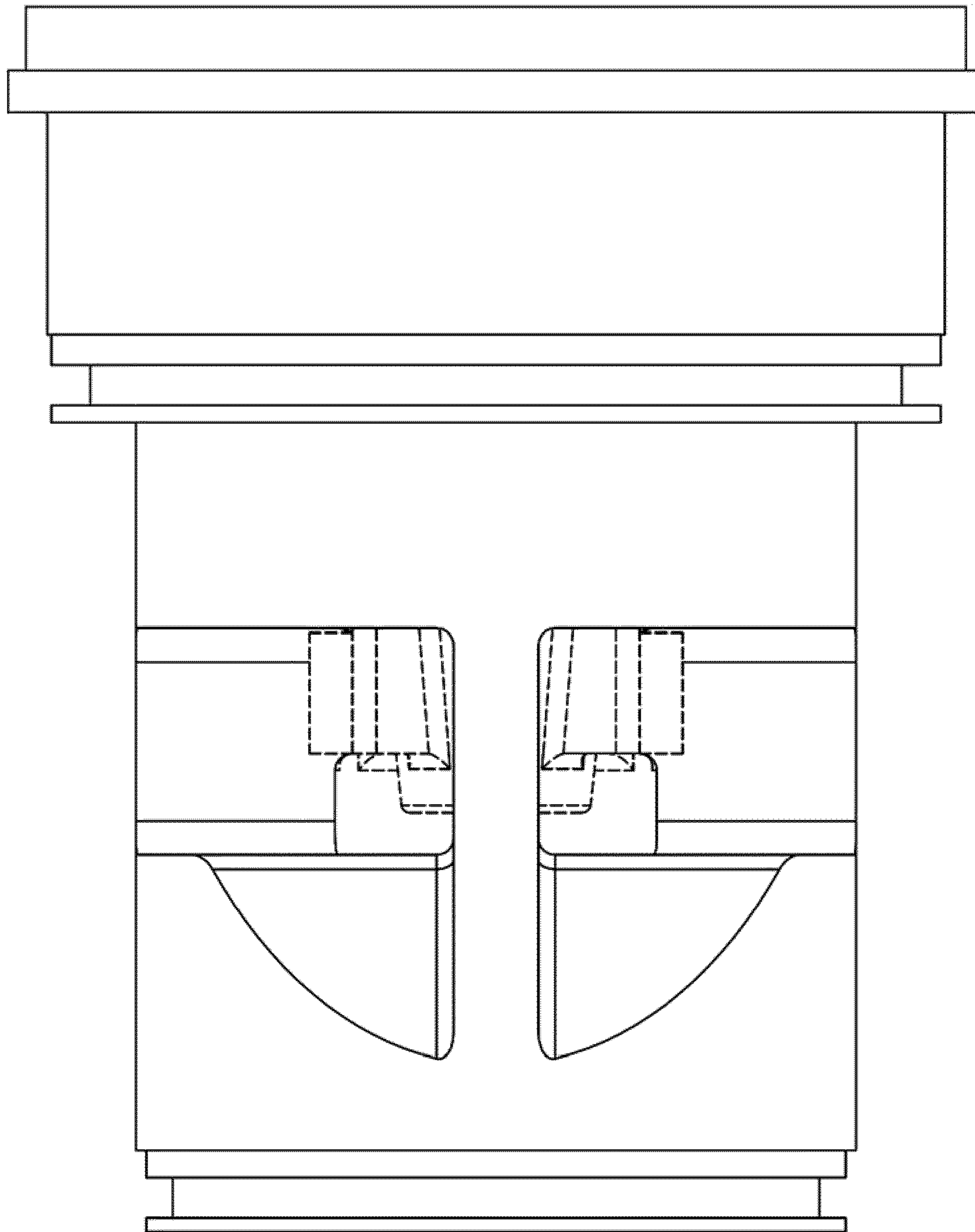


FIG. 2

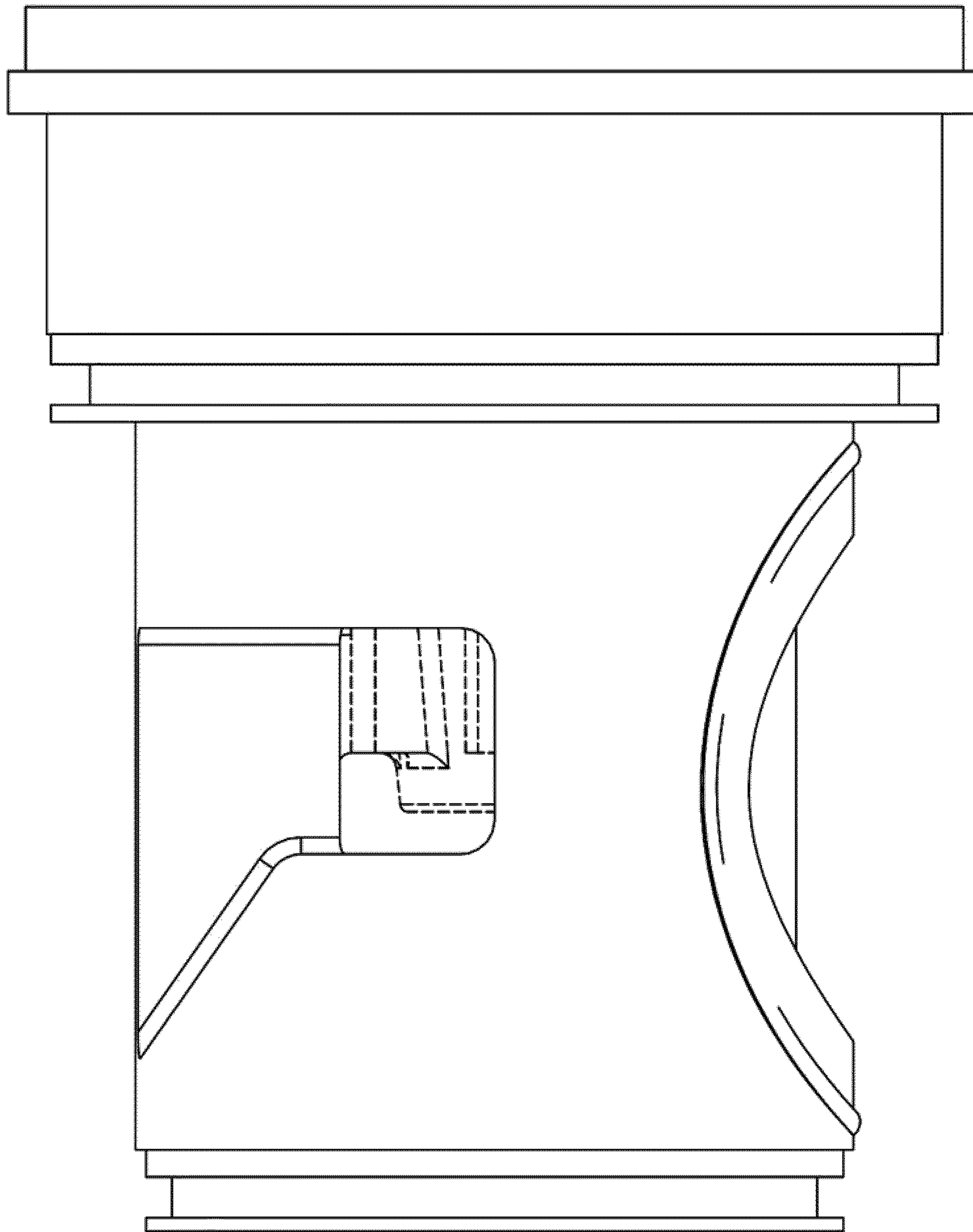


FIG. 3

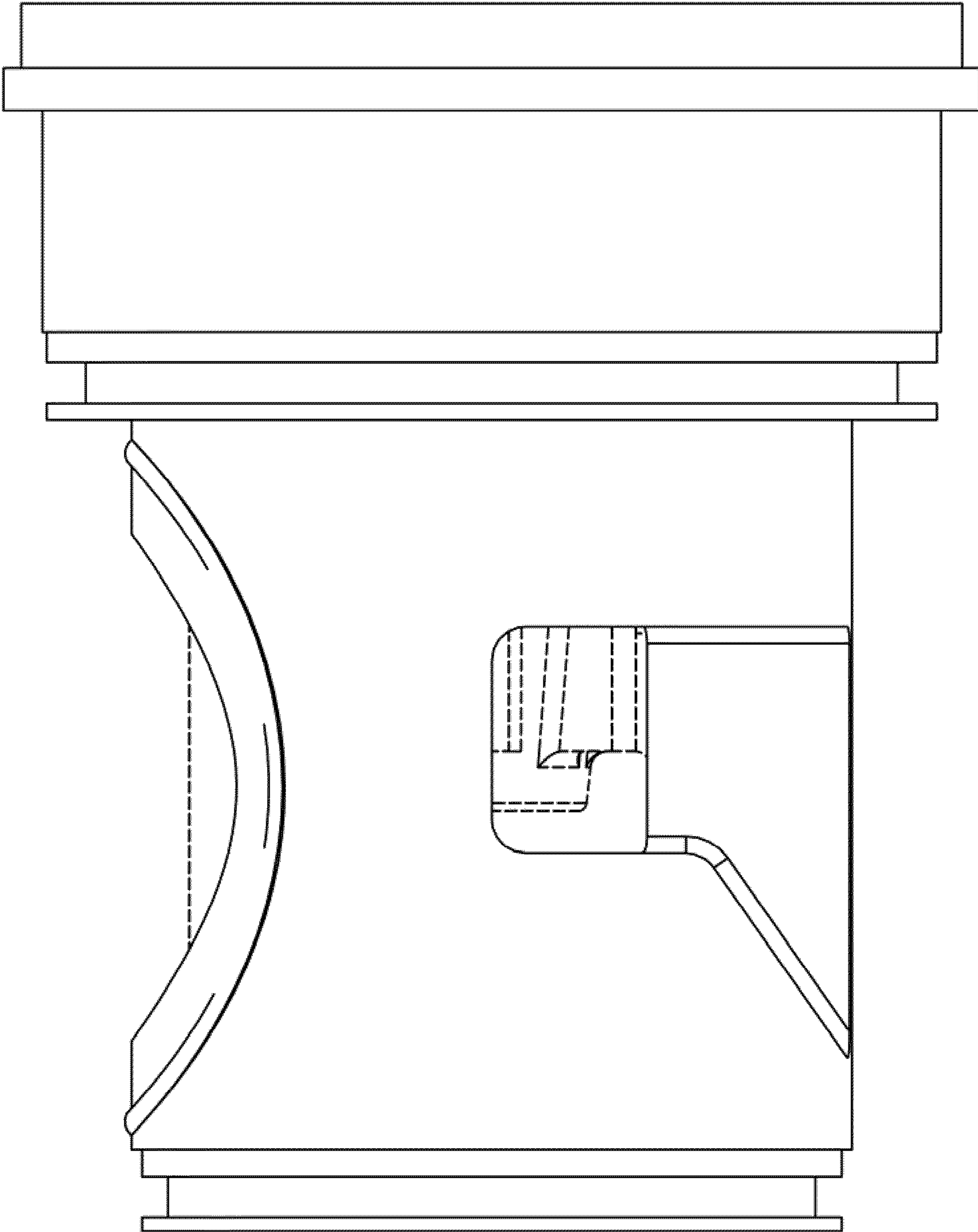


FIG. 4

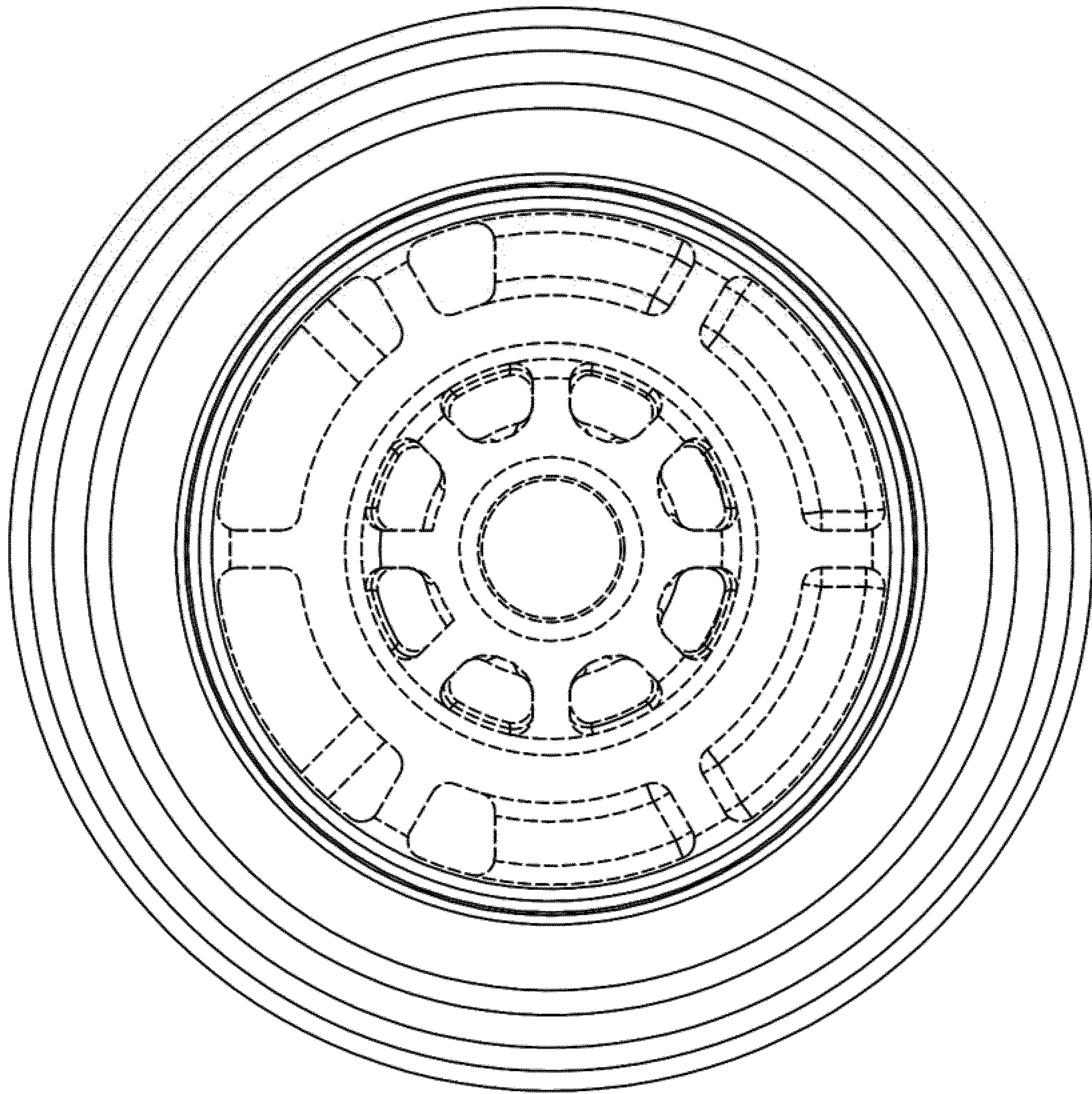


FIG. 5

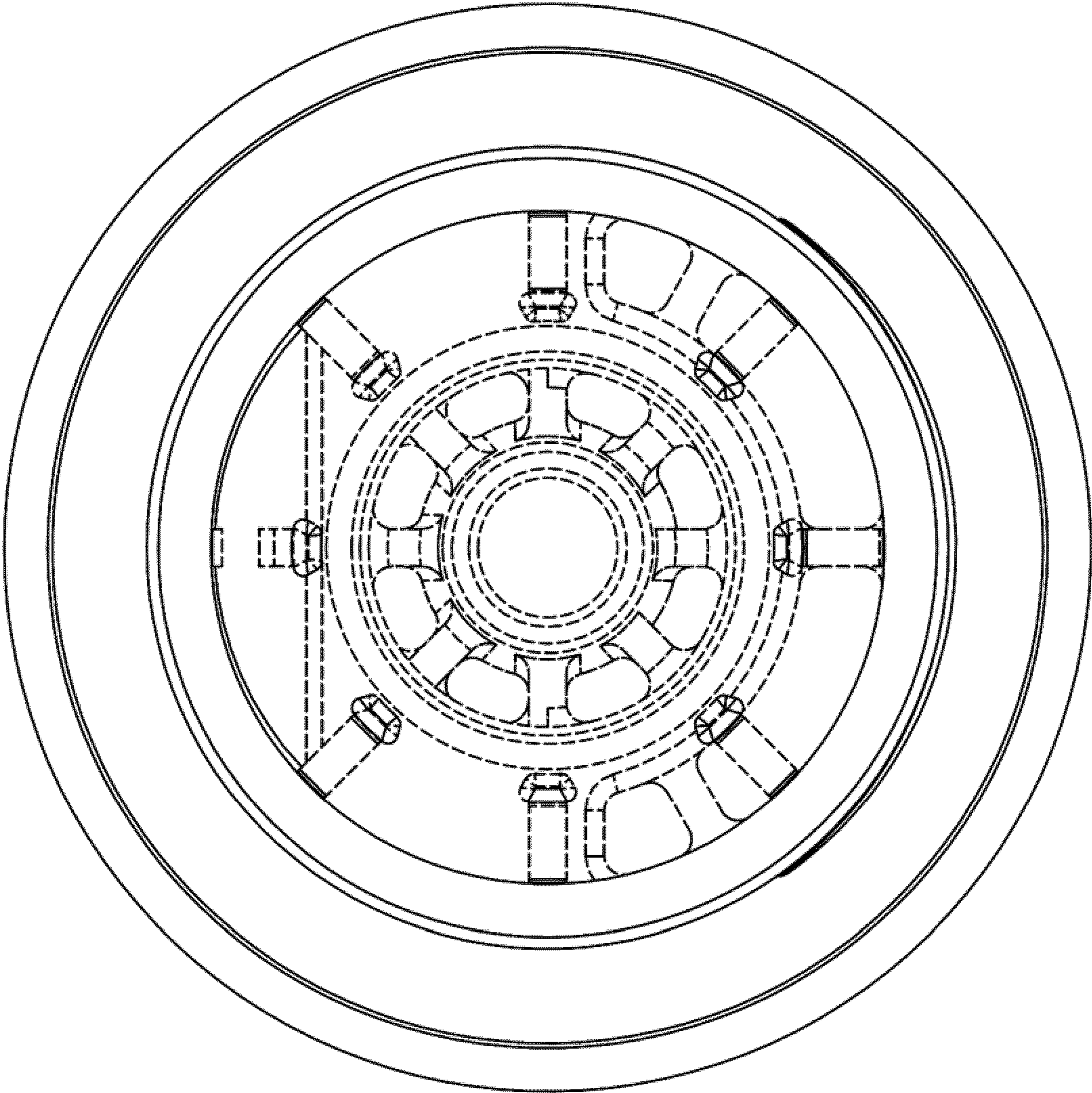


FIG. 6

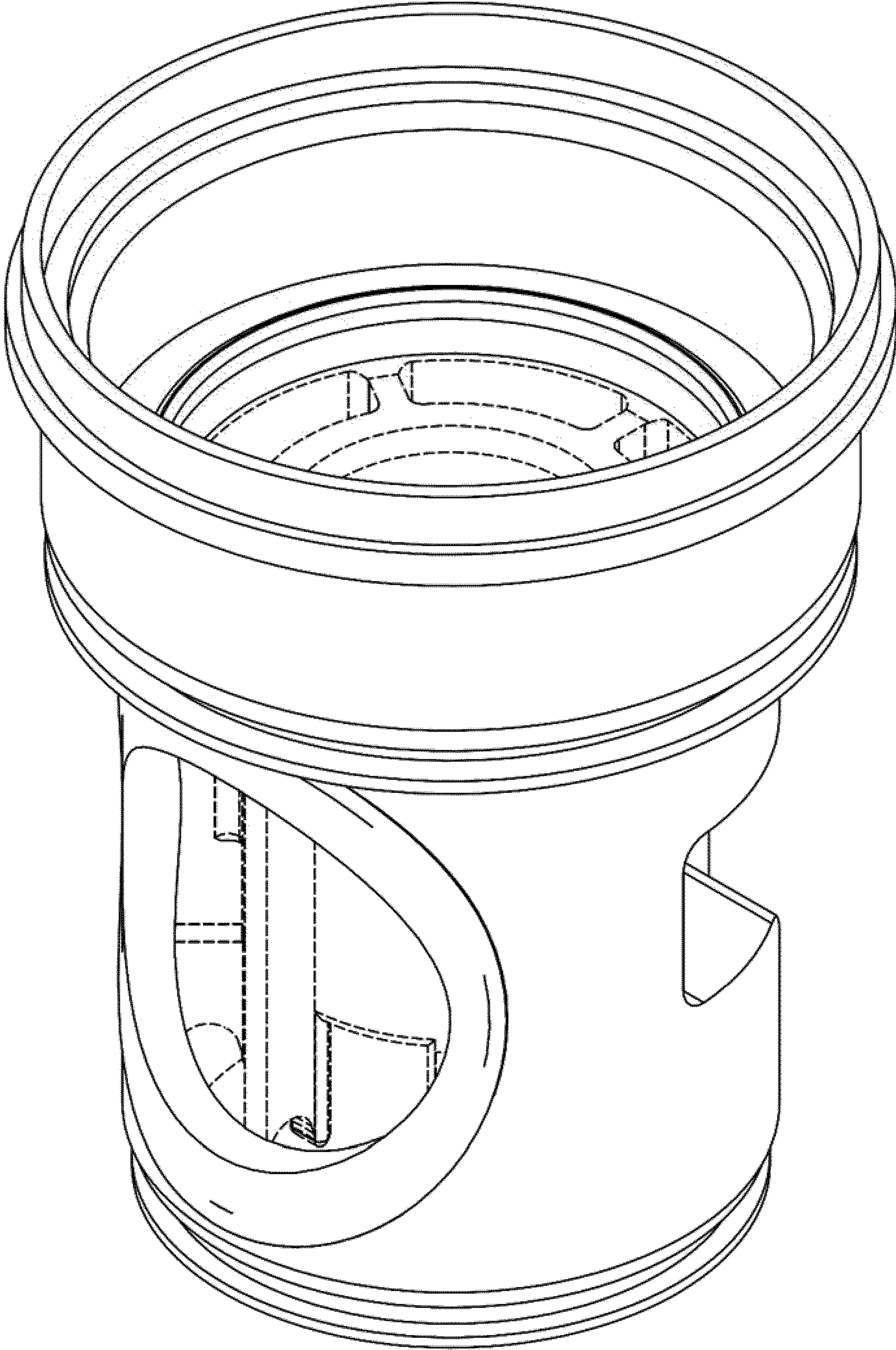


FIG. 7